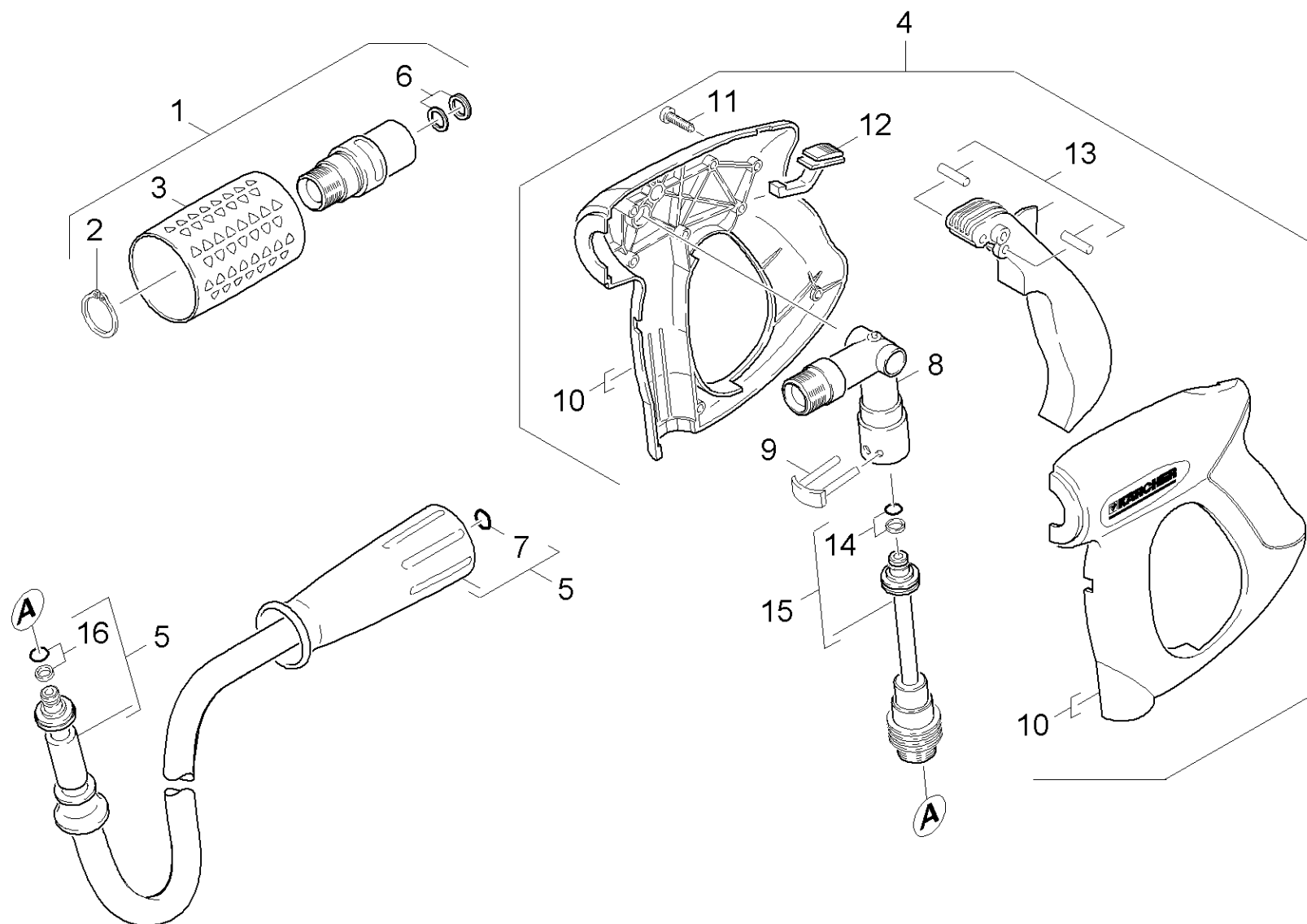


102 Hand trigger gun

Overview technical documents/Professional/High pressure cleaner hotwater/Electric motor/HDS 8/18-4 C (1.174-211.0)/Spare parts list HDS 8/18-4 C/CX/100 Accessories/102 Hand trigger gun



102 Hand trigger gun

Overview technical documents/Professional/High pressure cleaner hotwater/Electric motor/HDS 8/18-4 C (1.174-211.0)/Spare parts list HDS 8/18-4 C/CX/100 Accessories/102 Hand trigger gun

Rez.daļas/nodil.pakļ.daļas	Poz.	Materiāla Nr.	Nosaukums	Daudzums	Pārdoš. vienība
	1	4.775-526.0	Rotary controller	1.000	ST
	2	7.343-069.0	Locking ring	1.000	ST
	3	5.321-668.0	Handle	1.000	ST
X-X	4	4.775-466.0	Hand Trigger Gun	1.000	ST
Pozīcijas teksts: 1.174-221.0					
X-X	5	6.390-185.0	Augstspiediena šļūtene DN8 , 15m	1.000	ST
X-X	6	4.363-695.0	Grooved ring	1.000	ST
	7	2.880-990.0	spare part set o ring from 2.880-296.0	1.000	ST
X	8	4.427-215.0	Spare part	1.000	ST
X	9	4.037-013.0	Spare part	2.000	ST
	10	5.321-669.0	Tureklis	1.000	ST
	11	7.303-096.0	Skrūve 4x22 -ST-10.9-R2R (IN6RD)	7.000	ST
	12	5.481-331.0	Slīdnis	1.000	ST
	13	4.481-209.0	level complete	1.000	ST
X-X	14	4.363-691.0	O-ring seal	1.000	ST
X-X	15	4.421-739.0	Adapter pipeline	1.000	ST
X-X	16	4.363-691.0	O-ring seal	1.000	ST