

Spare parts list

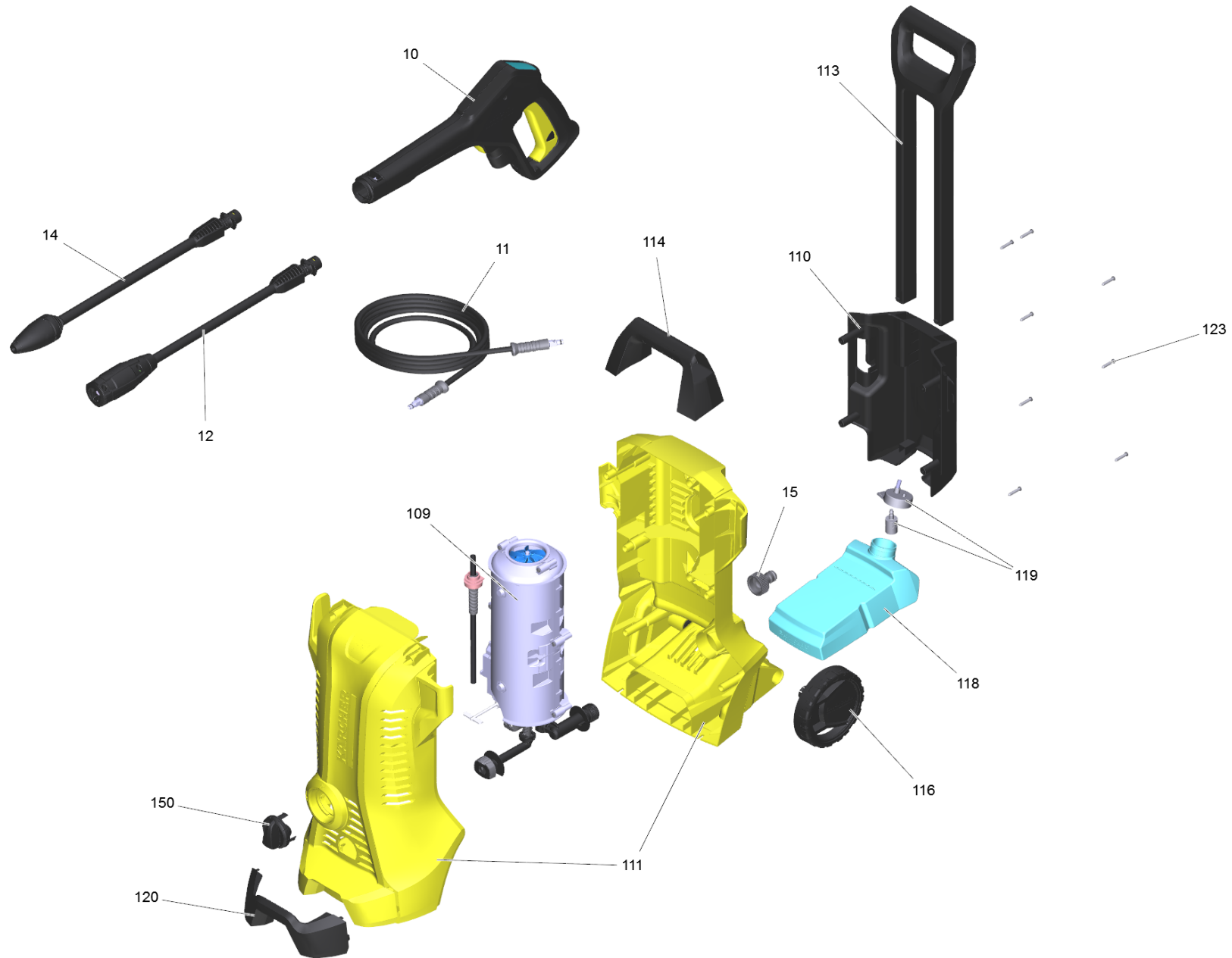
(1.602-600.0) K 3 Full Control *EU

Table of contents

| | |
|--|----|
| K 3 Full Control *EU (1.602-600.0) | 3 |
| 201 Spare parts list K3 Full Control *EU | 4 |
| 10 G 120 Q Full Control Power Gun (2.643-823.0) | 6 |
| 11 High pressure hose 12MPa/6 40°C QCS B (6.396-514.0) | 8 |
| 12 VP 120 Vario Power Jet (packaged) (2.642-724.0) | 10 |
| 14 Dirt blaster Entry FC 026 K (4.764-312.0) | 12 |
| 109 Pump set complete K3 FC/MR *EU (0,8kW) | 14 |
| 1 Pump set RV upr. K3 *EU (0,8kW) | 16 |
| 103 Gear complete lift 3,8 RV upr. | 18 |
| 901 Spare part set planet wheel (4.100-662.0) | 20 |
| 901 Suction cover for replacement with SV5 ((4.063-913.0) | 22 |
| 902 High-pressure outlet with clamp for repl (4.064-047.0) | 24 |
| 903 Cylinder head for replacement (981) RV (4.551-144.0) | 26 |
| 1 Cylinder head complete RV K2.0X | 27 |
| Cylinder head only for replacement (4.551-159.3) | 29 |
| 40 Cylinder head RV K2.0X | 31 |
| 45 Spare parts set control piston with nipp (2.885-397.0) | 33 |
| 2 Spare parts set nipple chemistry RV (2.885-396.0) | 35 |
| 43 Thrust guidance complete quadruple | 36 |
| 3 Switch with axle RV | 38 |
| 6 Spare parts set strain relief with cable (2.885-475.0) | 40 |
| 119 Hose cleaning agents complete K2 FAMILY | 42 |
| 210 Short spare parts list | 44 |

K 3 Full Control *EU (1.602-600.0)

| POS | Description | Quantity | Unit |
|------------|--------------------------------------|-----------------|-------------|
| 210 | Short spare parts list | 1.000 | ST |
| 201 | Spare parts list K3 Full Control *EU | 1.000 | ST |



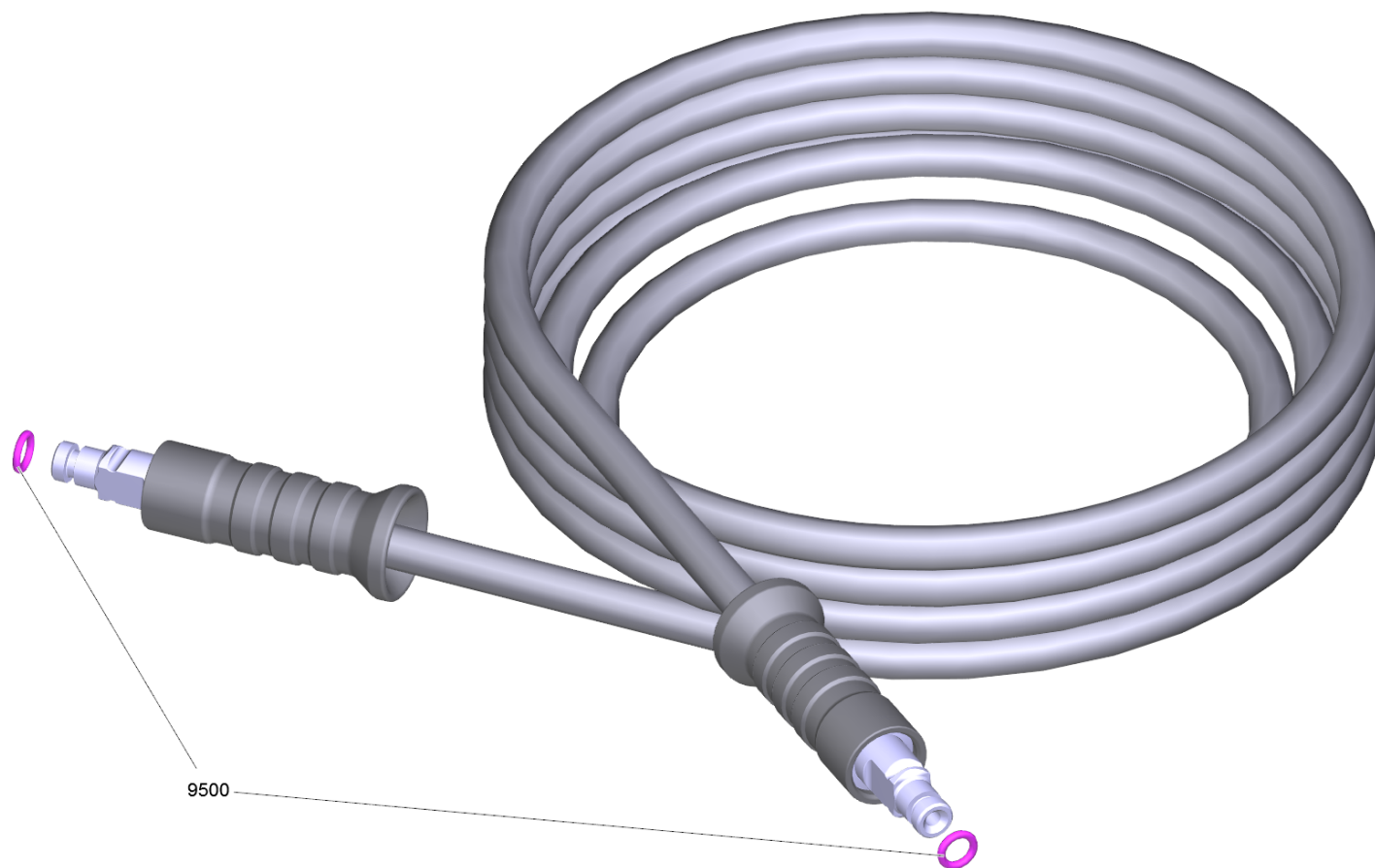
201 Spare parts list K3 Full Control *EU

| POS | Article no. | Description | Quantity | Unit |
|-----|-------------|--|----------|------|
| 15 | 6.465-031.0 | Connection 3/4 | 1.000 | ST |
| 14 | 4.764-312.0 | Dirt blaster Entry FC 026 K | 1.000 | ST |
| 10 | 2.643-823.0 | G 120 Q Full Control Power Gun | 1.000 | ST |
| 113 | 9.755-595.0 | Hand grip telescope replacement K3 FC | 1.000 | ST |
| 114 | 5.322-038.0 | Handhold small K2 Modul-Range | 1.000 | ST |
| 150 | 9.760-839.0 | Handhold switch Modul Range | 1.000 | ST |
| 11 | 6.396-514.0 | High pressure hose 12MPa/6 40°C QCS B | 1.000 | ST |
| 110 | 9.755-593.0 | Holder handhold replacement K3 FC | 1.000 | ST |
| 119 | | Hose cleaning agents complete K2 FAMILY | 1.000 | ST |
| 111 | 9.755-594.0 | Housing pair complete replacement K3 FC | 1.000 | ST |
| 109 | | Pump set complete K3 FC/MR *EU (0,8kW) | 1.000 | ST |
| 120 | 9.755-597.0 | Screen bottom replacement K3 FC | 1.000 | ST |
| 123 | 9.086-173.0 | Screw Hi-Lo d.4x22 Torx-d.7,5 | 8.000 | ST |
| 118 | 9.755-247.0 | Tank cleaning agents spare part K2 famil | 1.000 | ST |
| 12 | 2.642-724.0 | VP 120 Vario Power Jet (packaged) | 1.000 | ST |
| 116 | 5.515-357.0 | Wheel D120 K2 Modul-Range | 1.000 | ST |



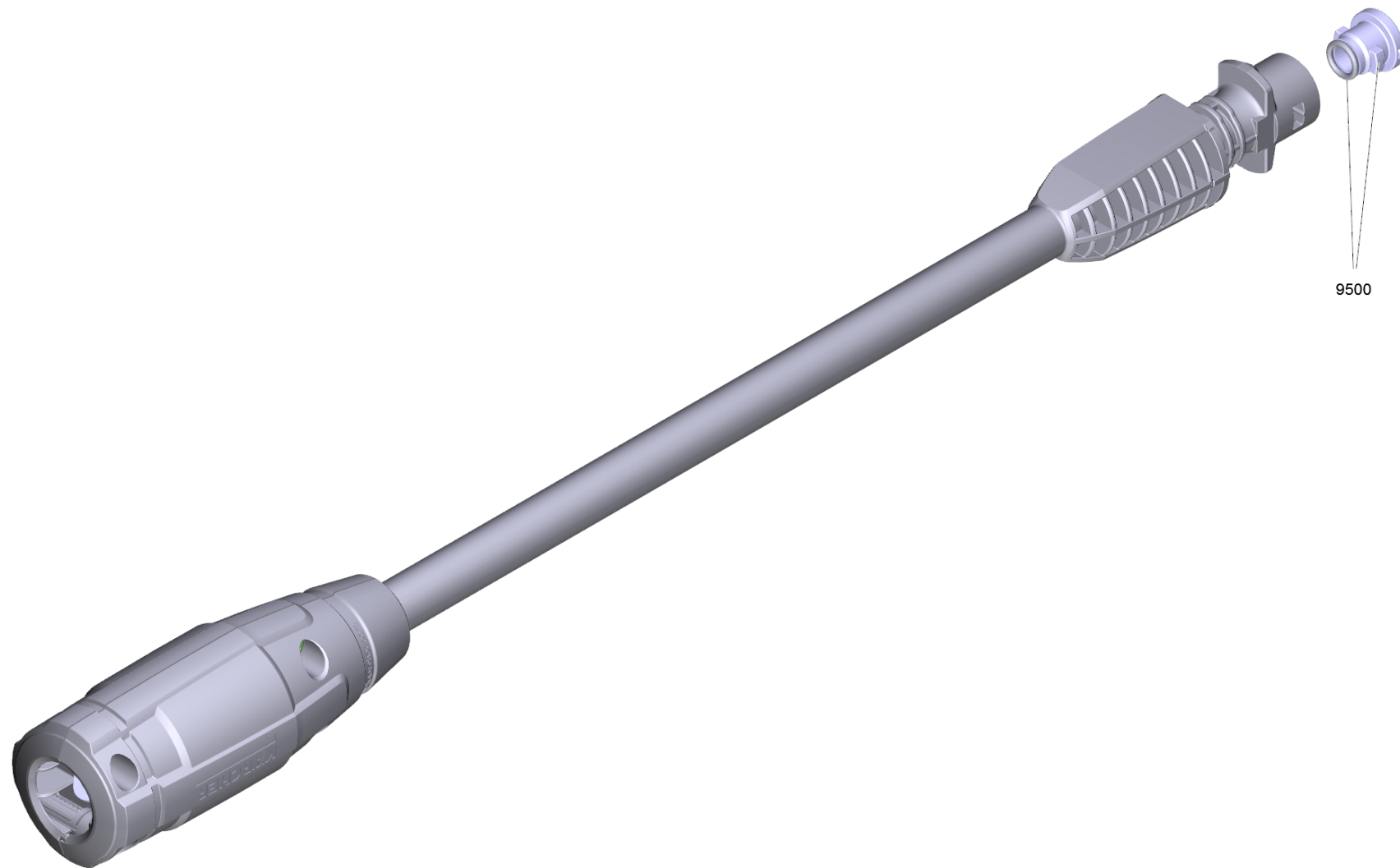
10 G 120 Q Full Control Power Gun (2.643-823.0)

| POS | Article no. | Description | Quantity | Unit |
|------------|--------------------|--------------------|-----------------|-------------|
| 1 | 5.332-464.0 | Pressure spring | 1.000 | ST |



11 High pressure hose 12MPa/6 40°C QCS B (6.396-514.0)

| POS | Article no. | Description | Quantity | Unit |
|------------|--------------------|--------------------|-----------------|-------------|
| 9500 | 2.640-729.0 | O-Ring seal set | 1.000 | ST |



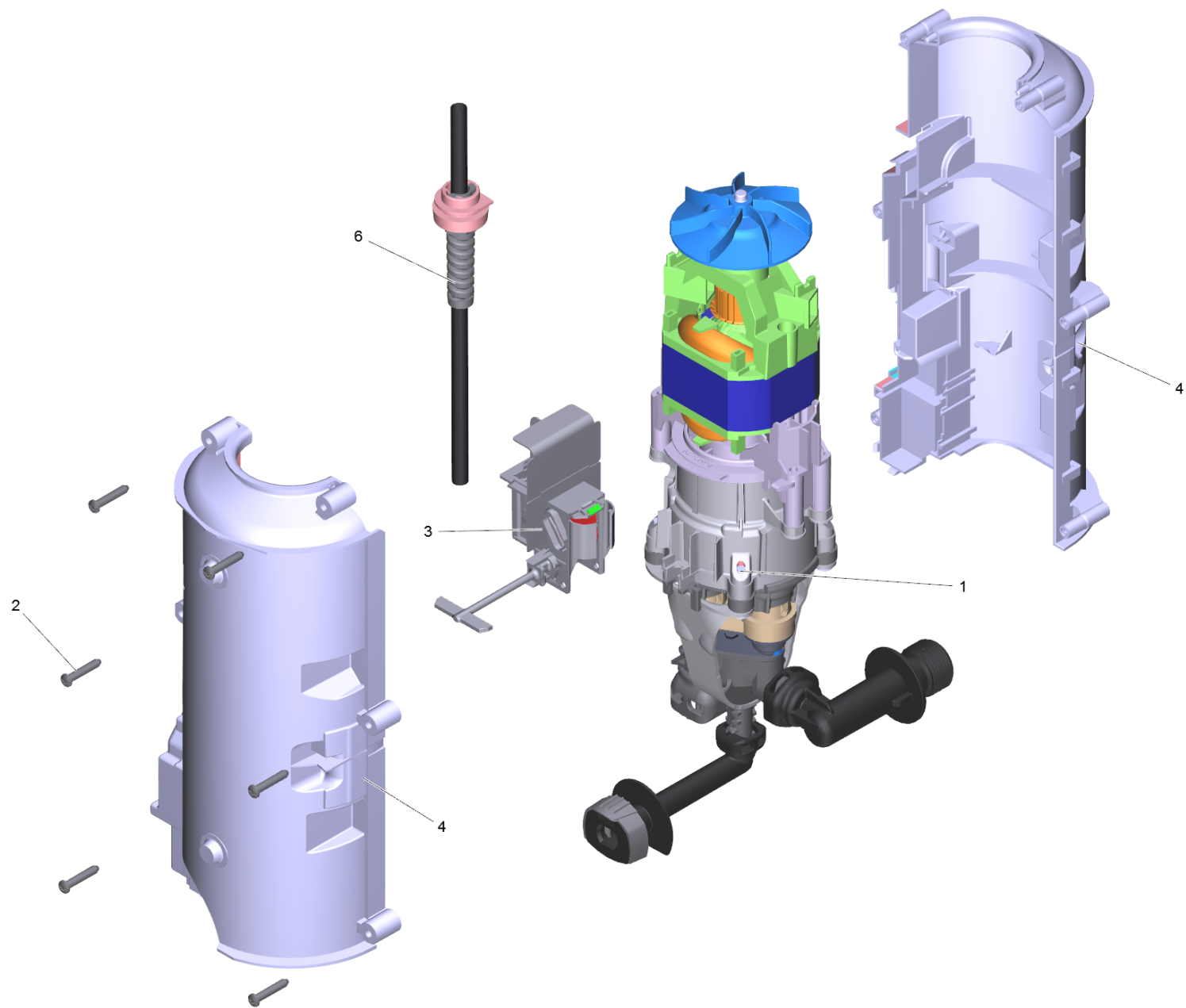
12 VP 120 Vario Power Jet (packaged) (2.642-724.0)

| POS | Article no. | Description | Quantity | Unit |
|------------|--------------------|--------------------|-----------------|-------------|
| 9500 | 2.640-729.0 | O-Ring seal set | 1.000 | ST |



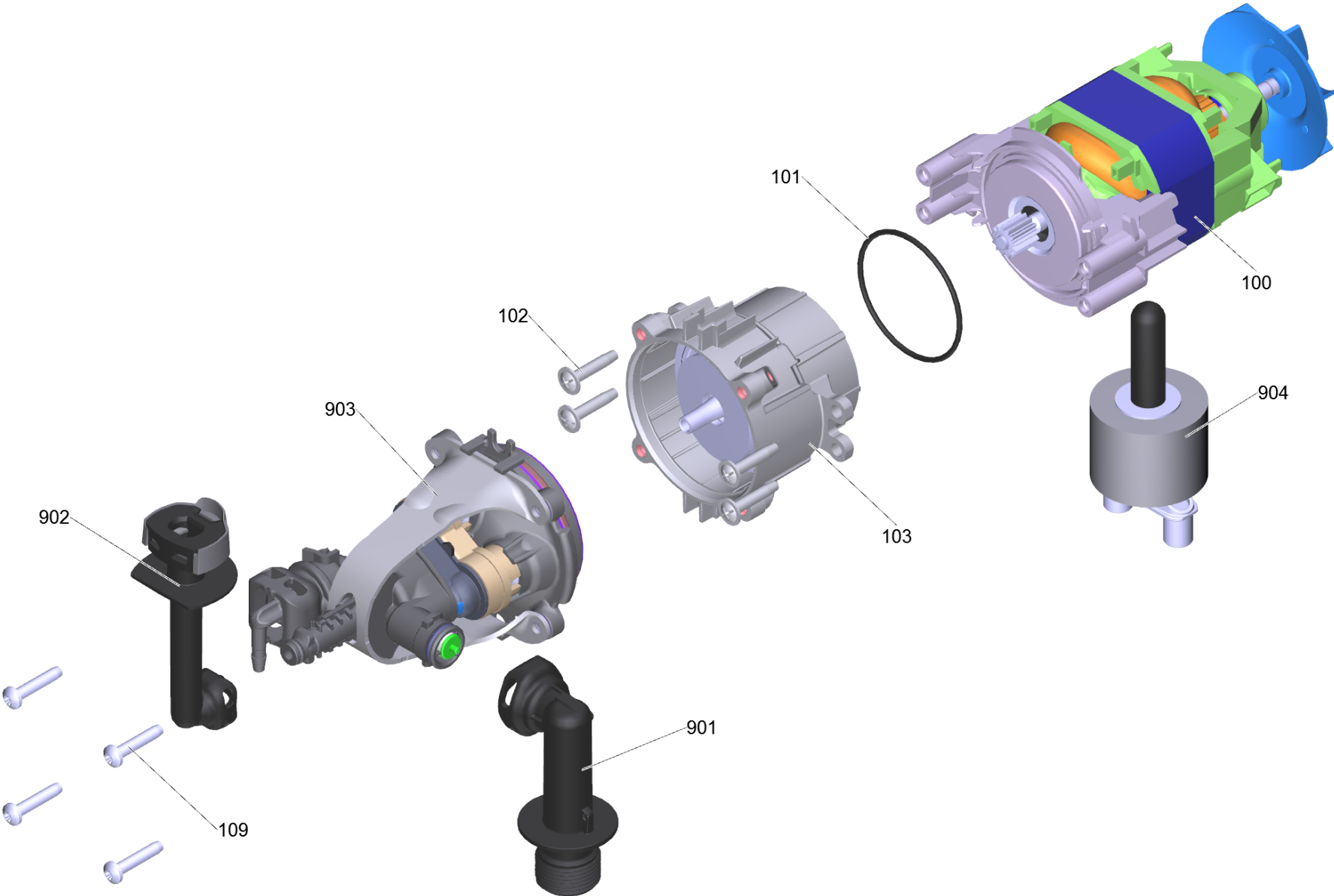
14 Dirt blaster Entry FC 026 K (4.764-312.0)

| POS | Article no. | Description | Quantity | Unit |
|------------|--------------------|--------------------|-----------------|-------------|
| 9500 | 2.640-729.0 | O-Ring seal set | 1.000 | ST |



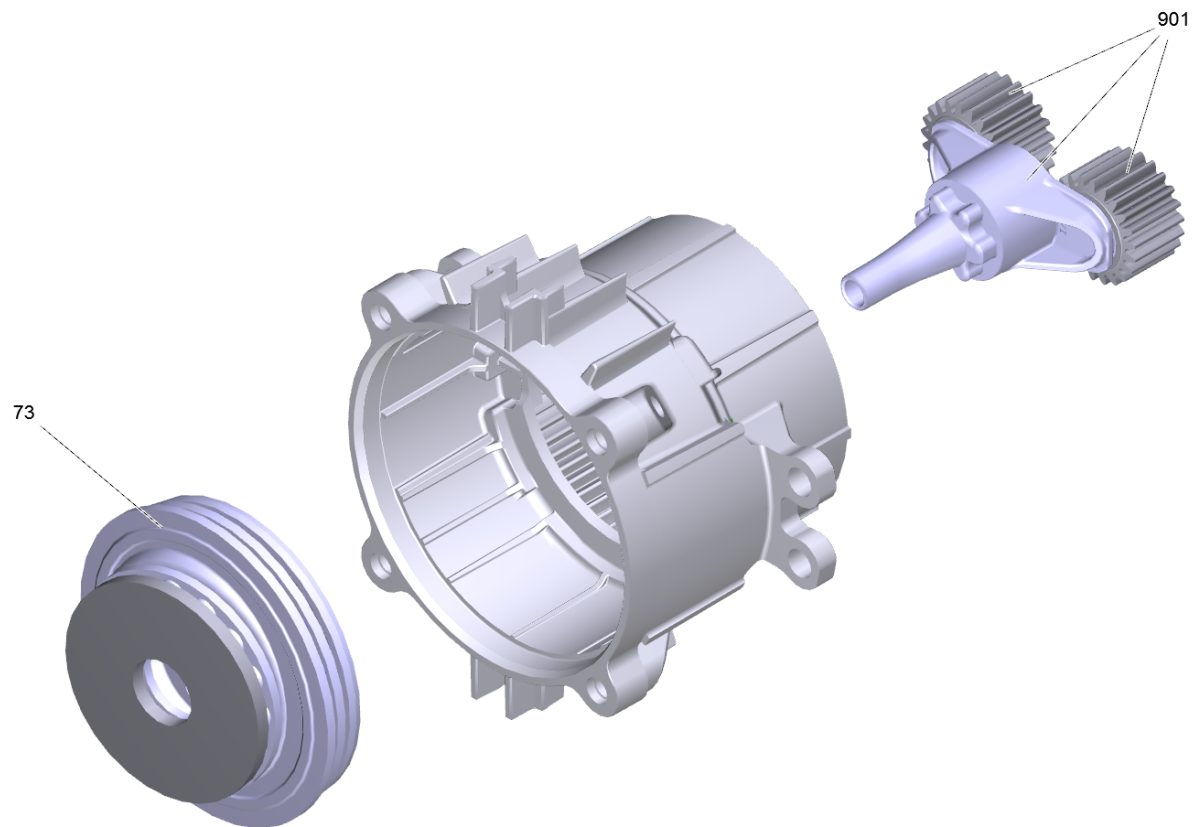
109 Pump set complete K3 FC/MR *EU (0,8kW)

| POS | Article no. | Description | Quantity | Unit |
|------------|--------------------|--|-----------------|-------------|
| 4 | 9.755-468.0 | Motor housing pair RV | 1.000 | ST |
| 1 | | Pump set RV upr. K3 *EU (0,8kW) | 1.000 | ST |
| 2 | 9.086-173.0 | Screw Hi-Lo d.4x22 Torx-d.7,5 | 6.000 | ST |
| 6 | 2.885-475.0 | Spare parts set strain relief with cable | 1.000 | ST |
| 3 | | Switch with axle RV | 1.000 | ST |



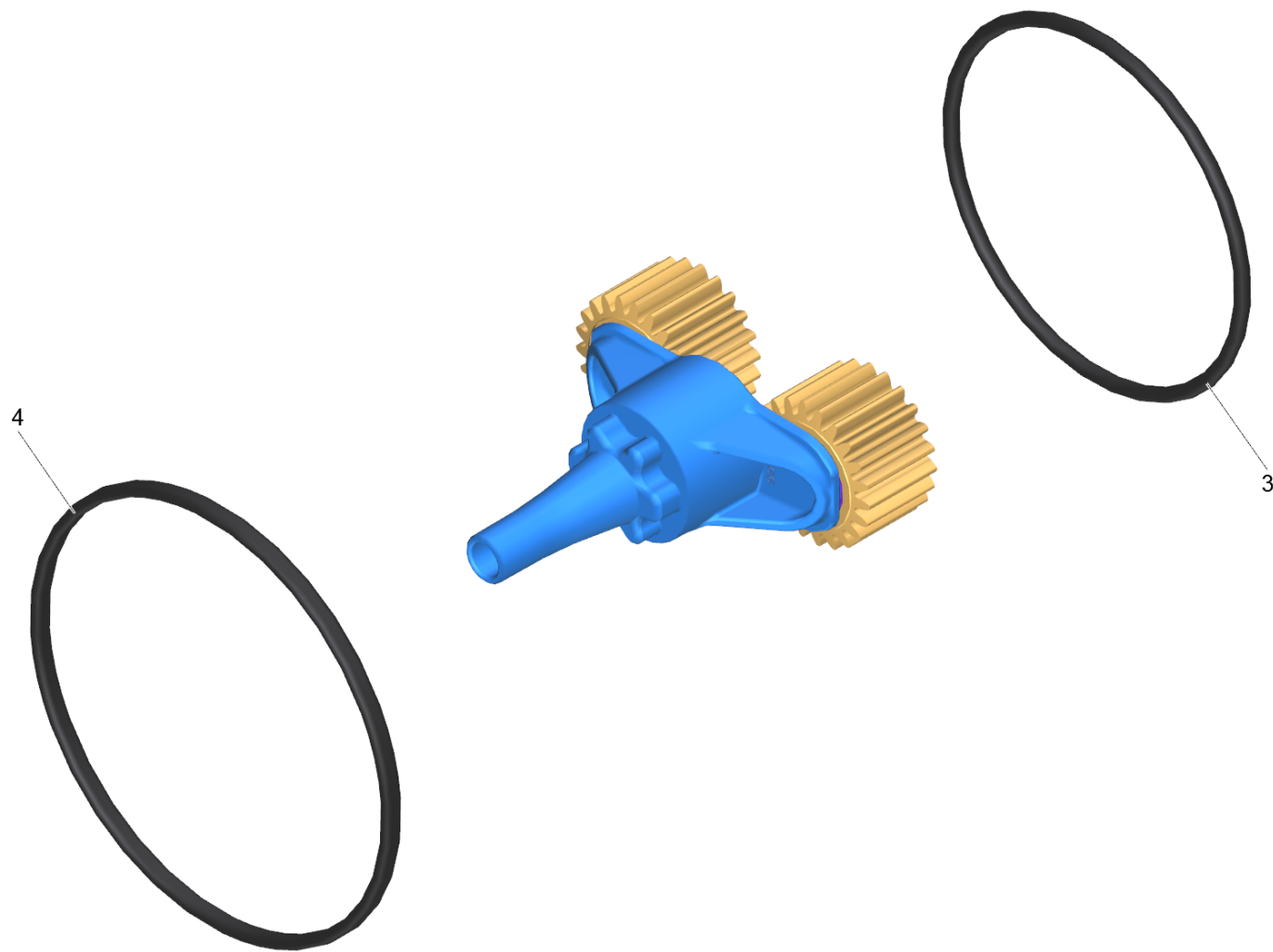
1 Pump set RV upr. K3 *EU (0,8kW)

| POS | Article no. | Description | Quantity | Unit |
|-----|-------------|---|----------|------|
| 903 | 4.551-144.0 | Cylinder head for replacement (981) RV | 1.000 | ST |
| 103 | | Gear complete lift 3,8 RV upr. | 1.000 | ST |
| 902 | 4.064-047.0 | High-pressure outlet with clamp for repl | 1.000 | ST |
| 100 | 4.100-622.0 | Motor only for replacement | 1.000 | ST |
| 101 | 6.363-657.0 | O-Ring seal 50x2.35 NBR 70 | 1.000 | ST |
| 102 | 6.303-260.0 | Screw 5x26,4 | 4.000 | ST |
| 109 | 6.303-519.0 | Screw M5x25-10.9-A2E (IN6RD/T25) | 4.000 | ST |
| 904 | 2.100-023.0 | Special tool motor K2 | 1.000 | ST |
| | | Item text1: Pay attention to Assembly instruction! | | |
| | | Item text2: Montageanleitung beachten! | | |
| 901 | 4.063-913.0 | Suction cover for replacement with SV5 (| 1.000 | ST |



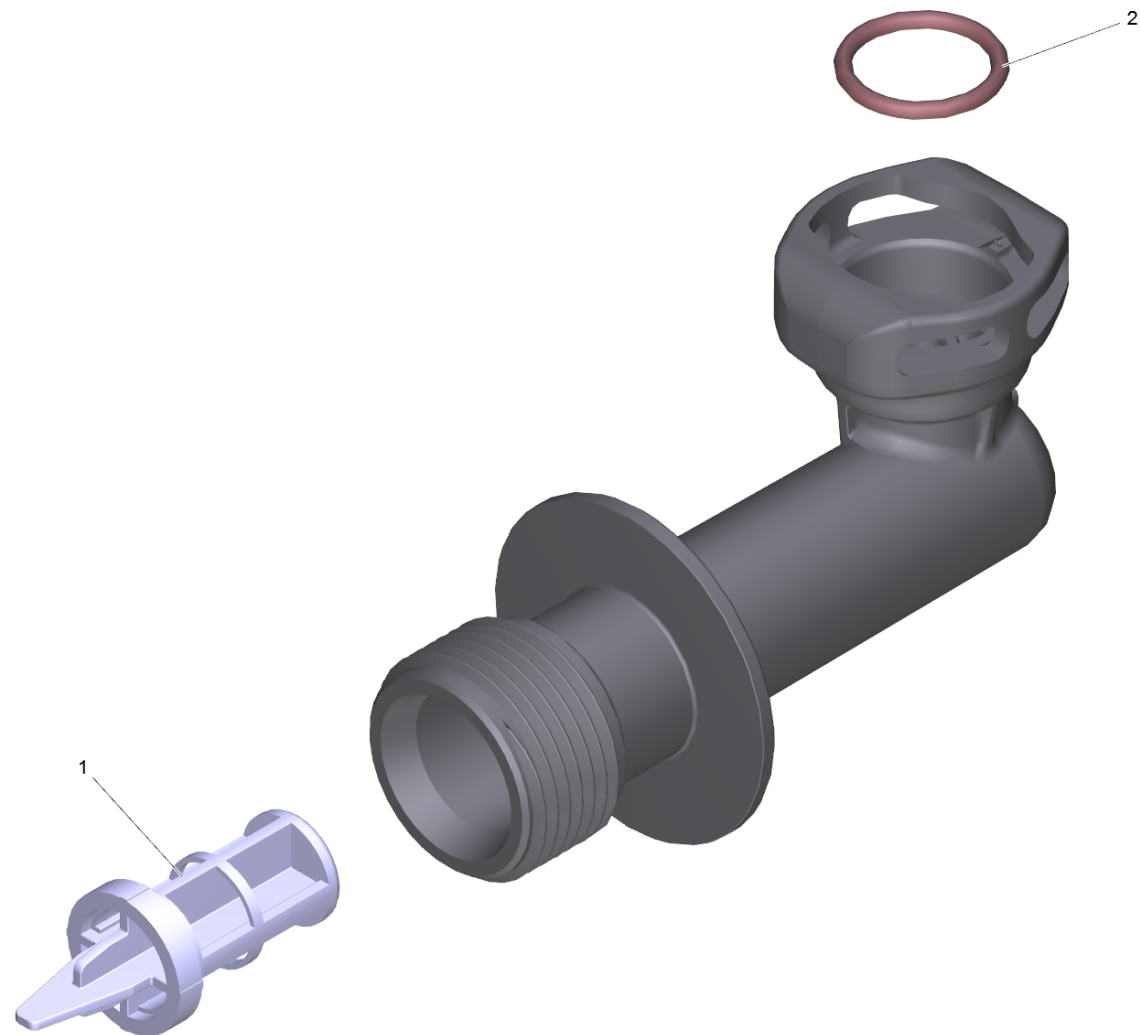
103 Gear complete lift 3,8 RV upr.

| POS | Article no. | Description | Quantity | Unit |
|------------|--------------------|------------------------------------|-----------------|-------------|
| 901 | 4.100-662.0 | Spare part set planet wheel | 1.000 | ST |
| 73 | 4.120-228.0 | Wobble plate lift 4,02 (37); 6°12' | 1.000 | ST |



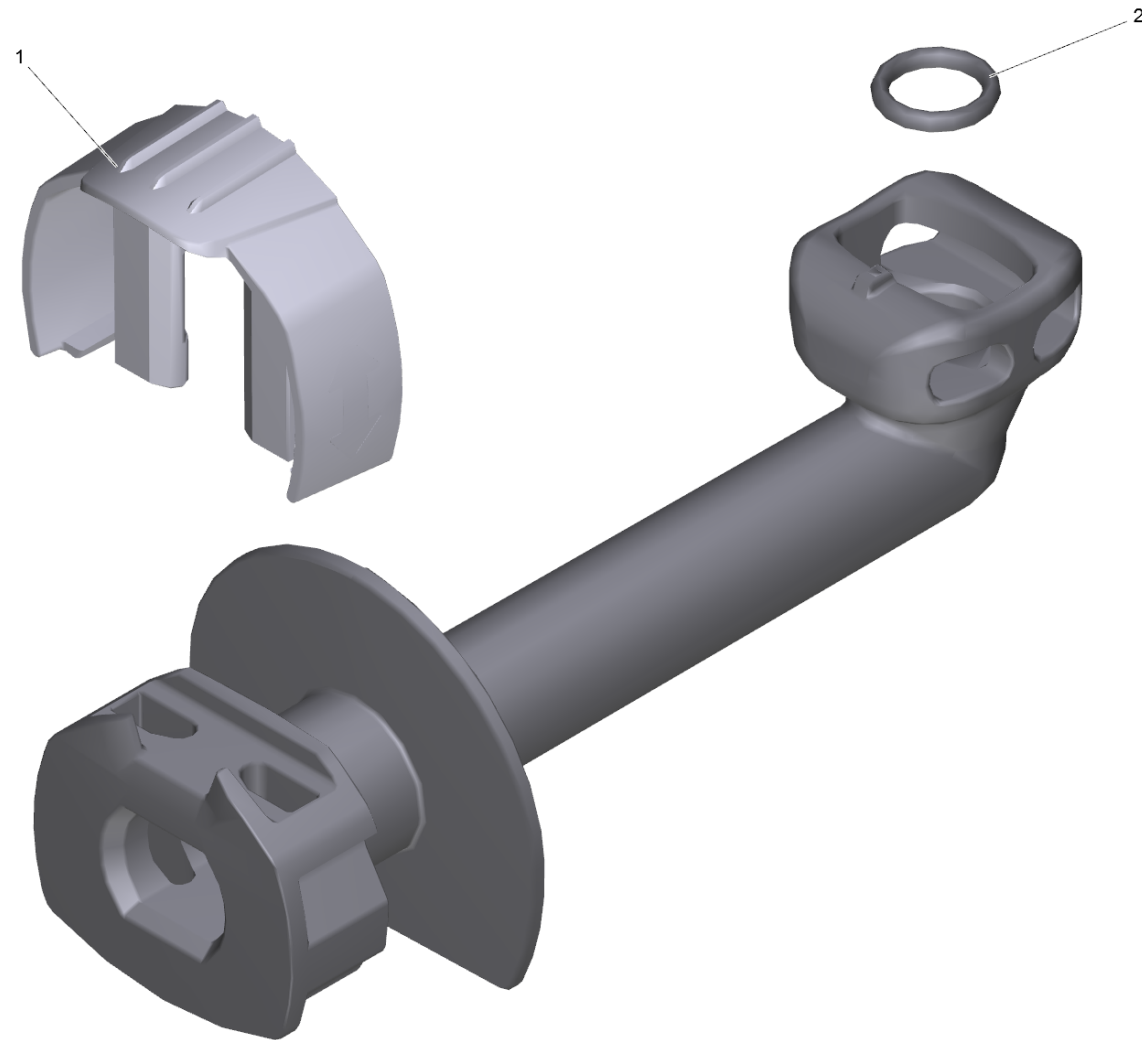
901 Spare part set planet wheel (4.100-662.0)

| POS | Article no. | Description | Quantity | Unit |
|------------|--------------------|----------------------------|-----------------|-------------|
| 3 | 6.363-657.0 | O-Ring seal 50x2.35 NBR 70 | 1.000 | ST |
| 4 | 6.362-826.0 | O-Ring seal 61,6x2,62 | 1.000 | ST |



901 Suction cover for replacement with SV5 (4.063-913.0)

| POS | Article no. | Description | Quantity | Unit |
|------------|--------------------|-----------------------------|-----------------|-------------|
| 1 | 5.731-004.0 | Fine filter short (2015/17) | 1.000 | ST |
| 2 | 6.362-427.0 | O-Ring seal 15,0x2,0 | 1.000 | ST |

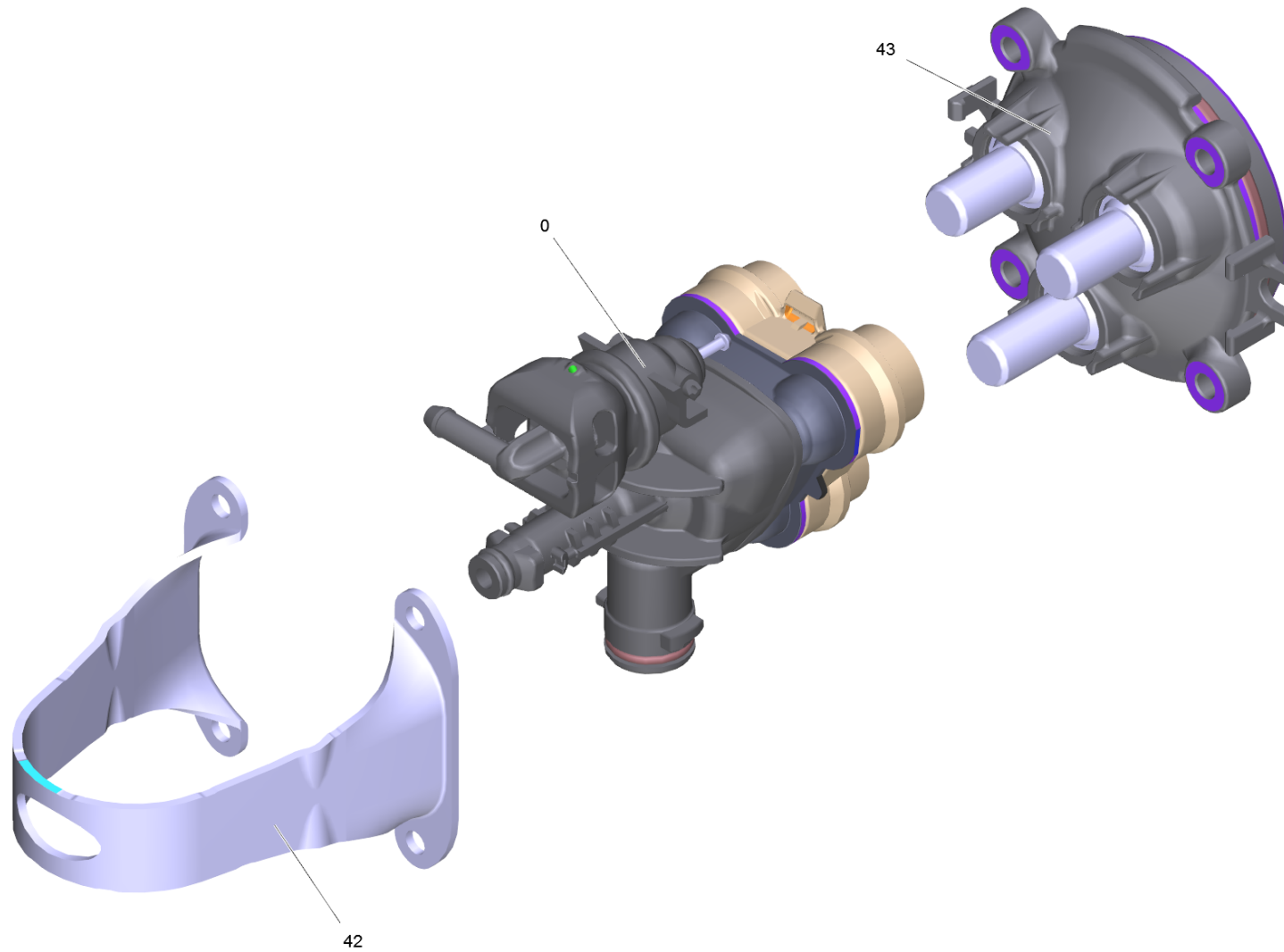


902 High-pressure outlet with clamp for repl (4.064-047.0)

| POS | Article no. | Description | Quantity | Unit |
|------------|--------------------|--------------------------------|-----------------|-------------|
| 1 | 5.037-463.0 | Clamp for high-pressure outlet | 1.000 | ST |
| 2 | 6.362-113.0 | O-Ring seal 6,0 x 2,0 NBR 70 | 1.000 | ST |

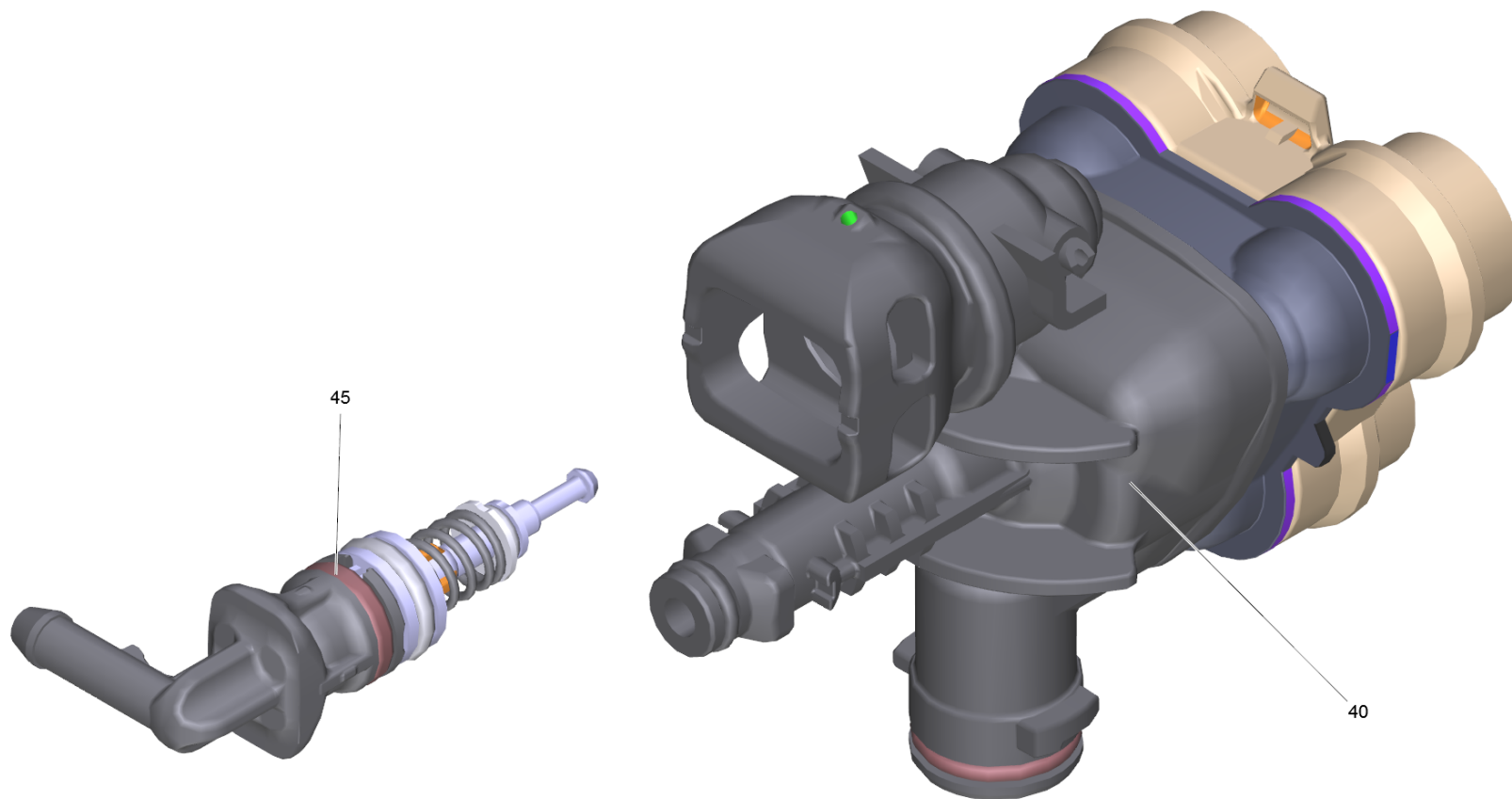
903 Cylinder head for replacement (981) RV (4.551-144.0)

| POS | Description | Quantity | Unit |
|-----|---------------------------------|----------|------|
| 1 | Cylinder head complete RV K2.0X | 1.000 | ST |



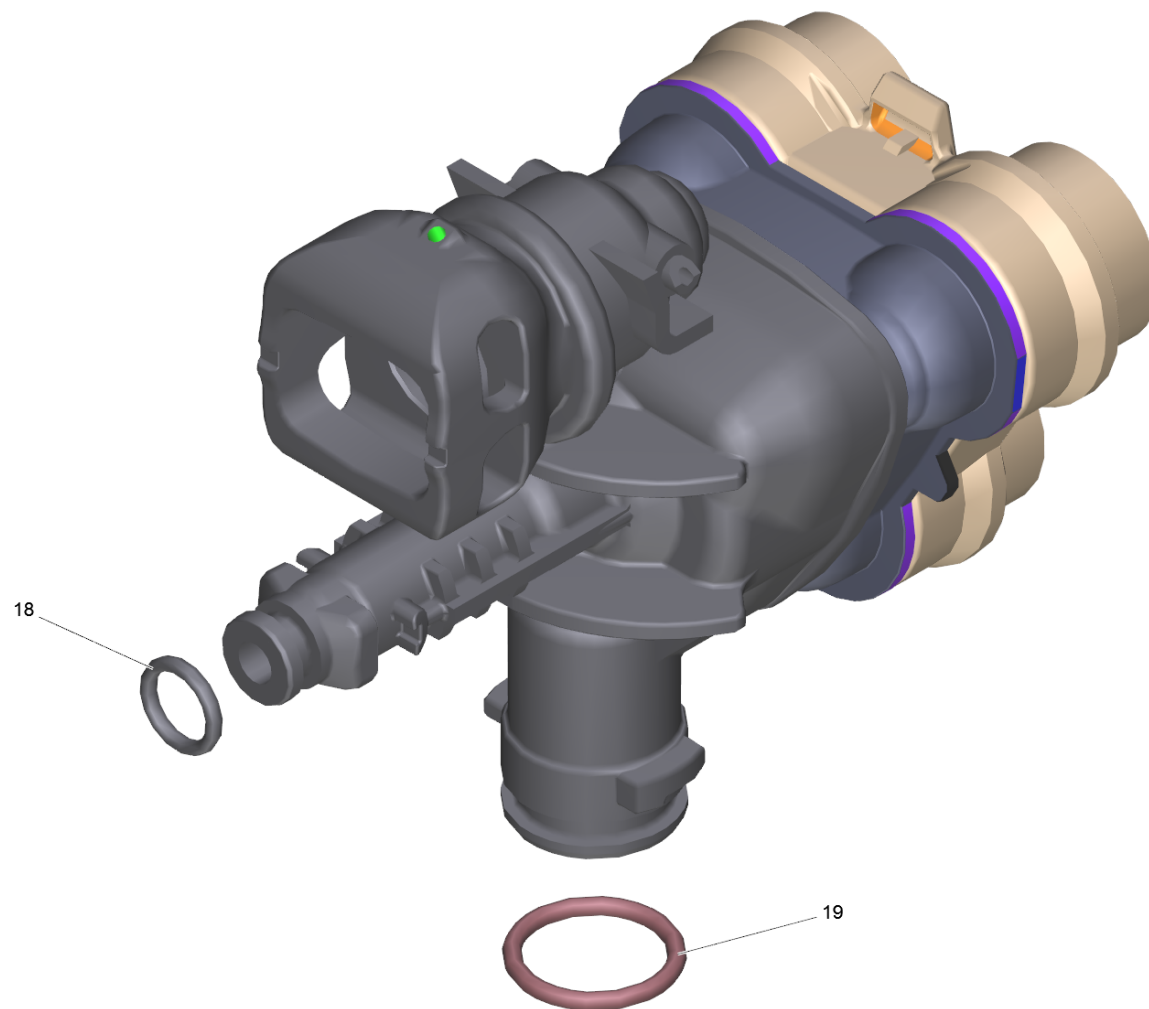
1 Cylinder head complete RV K2.0X

| POS | Article no. | Description | Quantity | Unit |
|------------|--------------------|------------------------------------|-----------------|-------------|
| 0 | 4.551-159.3 | Cylinder head only for replacement | 1.000 | ST |
| 42 | 5.051-384.0 | Sheet metal component 4-fach | 1.000 | ST |
| 43 | | Thrust guidance complete quadruple | 1.000 | ST |



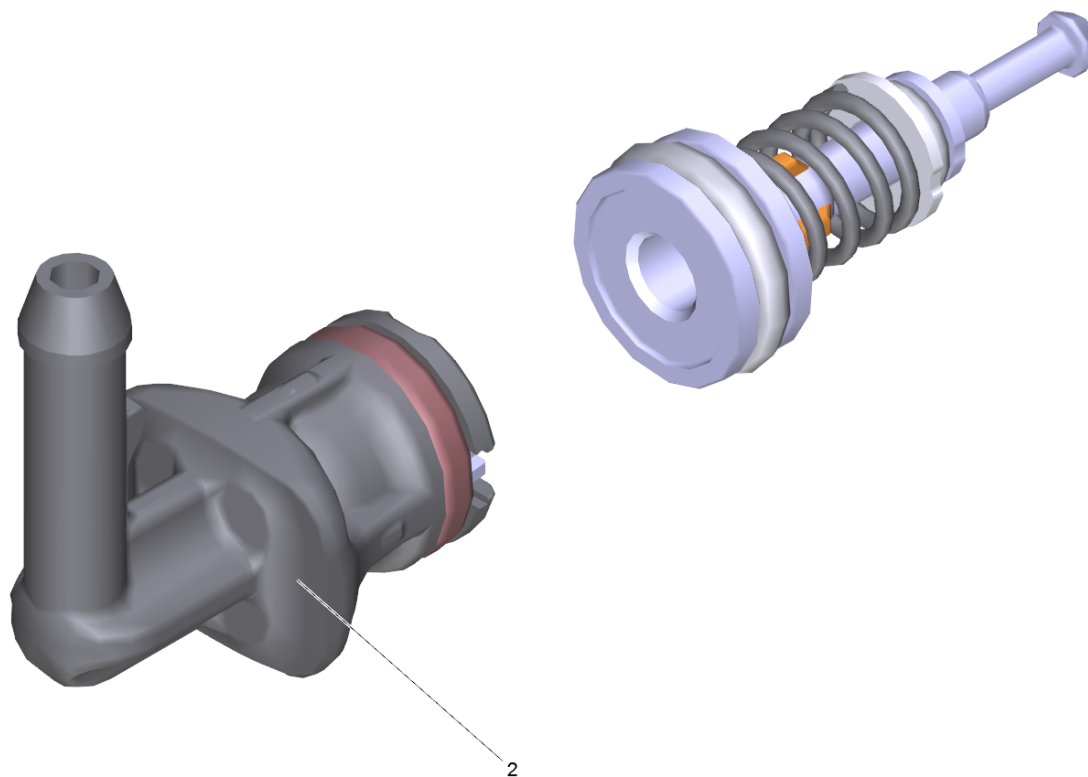
Cylinder head only for replacement (4.551-159.3)

| POS | Article no. | Description | Quantity | Unit |
|------------|--------------------|--|-----------------|-------------|
| 40 | | Cylinder head RV K2.0X | 1.000 | ST |
| 45 | 2.885-397.0 | Spare parts set control piston with nipp | 1.000 | ST |



40 Cylinder head RV K2.0X

| POS | Article no. | Description | Quantity | Unit |
|------------|--------------------|------------------------------|-----------------|-------------|
| 18 | 6.362-113.0 | O-Ring seal 6,0 x 2,0 NBR 70 | 1.000 | ST |
| 19 | 6.362-427.0 | O-Ring seal 15,0x2,0 | 1.000 | ST |

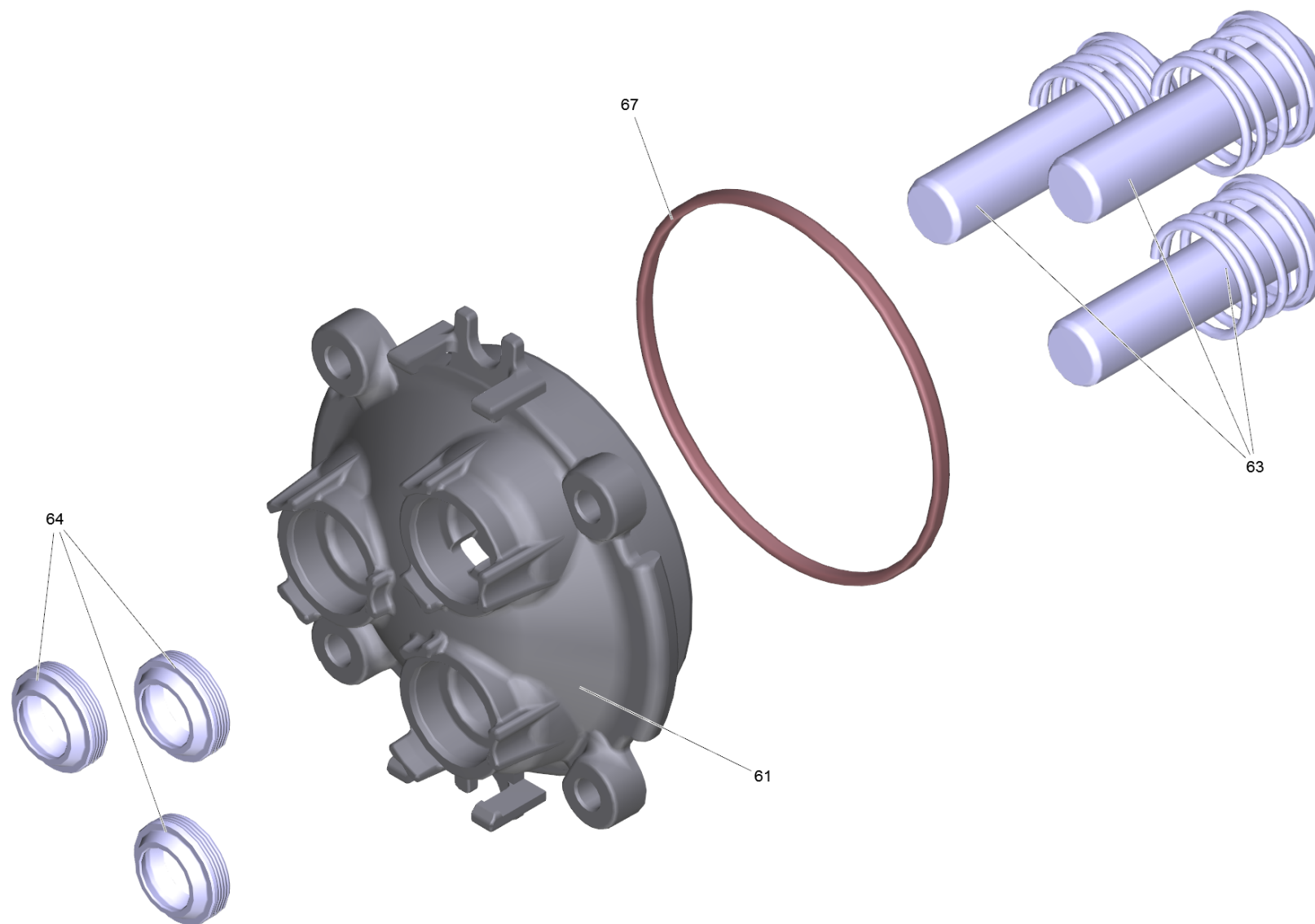


45 Spare parts set control piston with nipp (2.885-397.0)

| POS | Article no. | Description | Quantity | Unit |
|------------|--------------------|-------------------------------------|-----------------|-------------|
| 2 | 2.885-396.0 | Spare parts set nipple chemistry RV | 1.000 | ST |

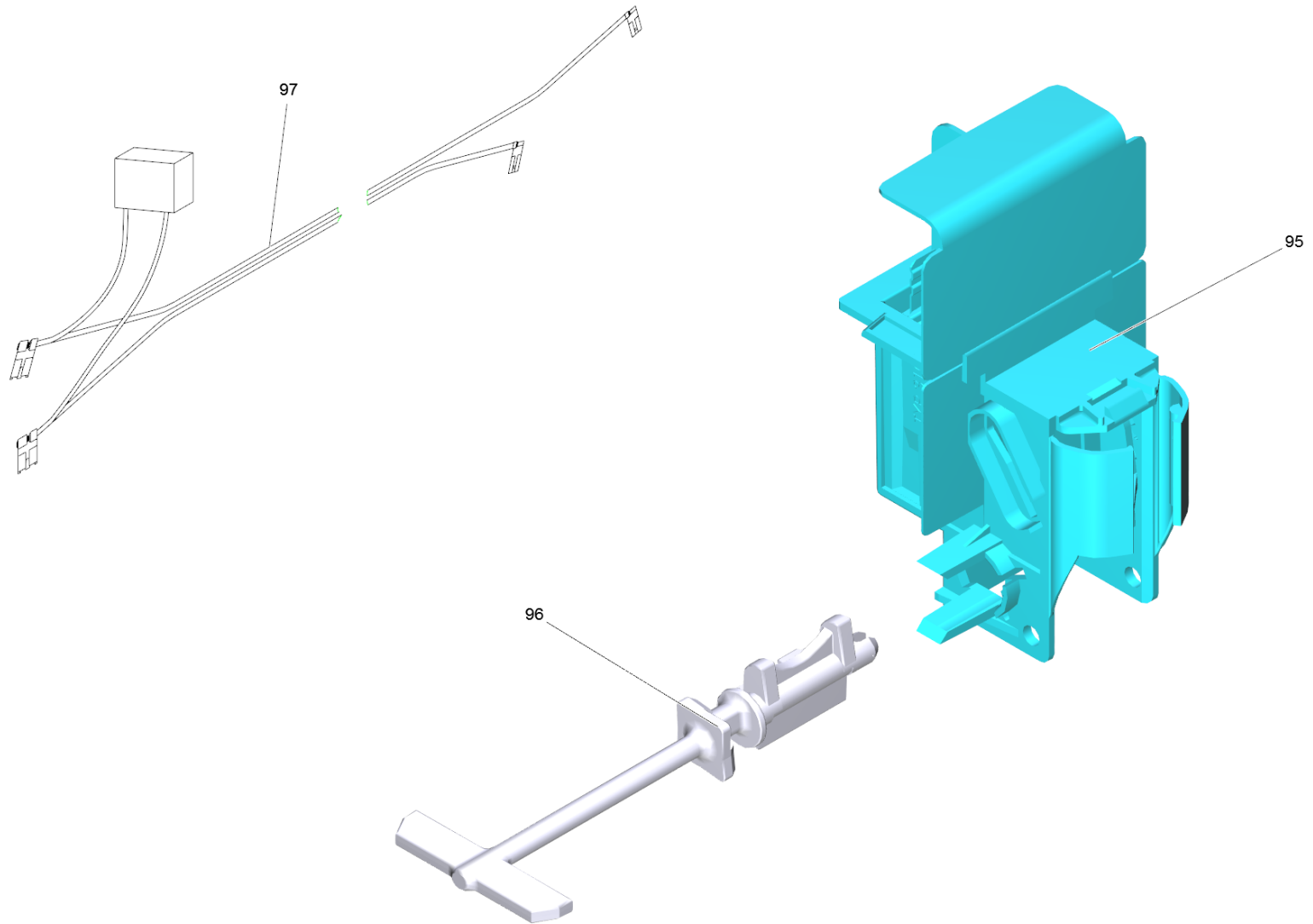
2 Spare parts set nipple chemistry RV (2.885-396.0)

| POS | Article no. | Description | Quantity | Unit |
|-----|-------------|----------------------|----------|------|
| 2 | 6.288-088.0 | Grease Molikote 55 M | 1.000 | ST |



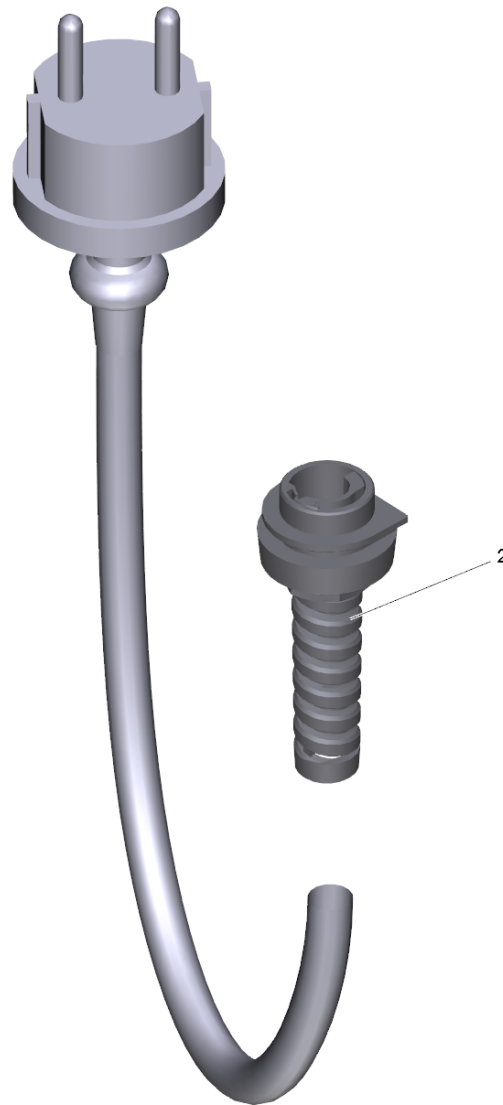
43 Thrust guidance complete quadruple

| POS | Article no. | Description | Quantity | Unit |
|------------|--------------------|---------------------------------------|-----------------|-------------|
| 64 | 6.365-581.0 | Grooved ring 12x18x4/6 NBR 75 Shore A | 3.000 | ST |
| 67 | 6.362-826.0 | O-Ring seal 61,6x2,62 | 1.000 | ST |
| 63 | 2.885-398.0 | Spare parts set piston with spring RV | 1.000 | ST |
| 61 | 5.062-412.0 | Thrust guidance V2 R V | 1.000 | ST |



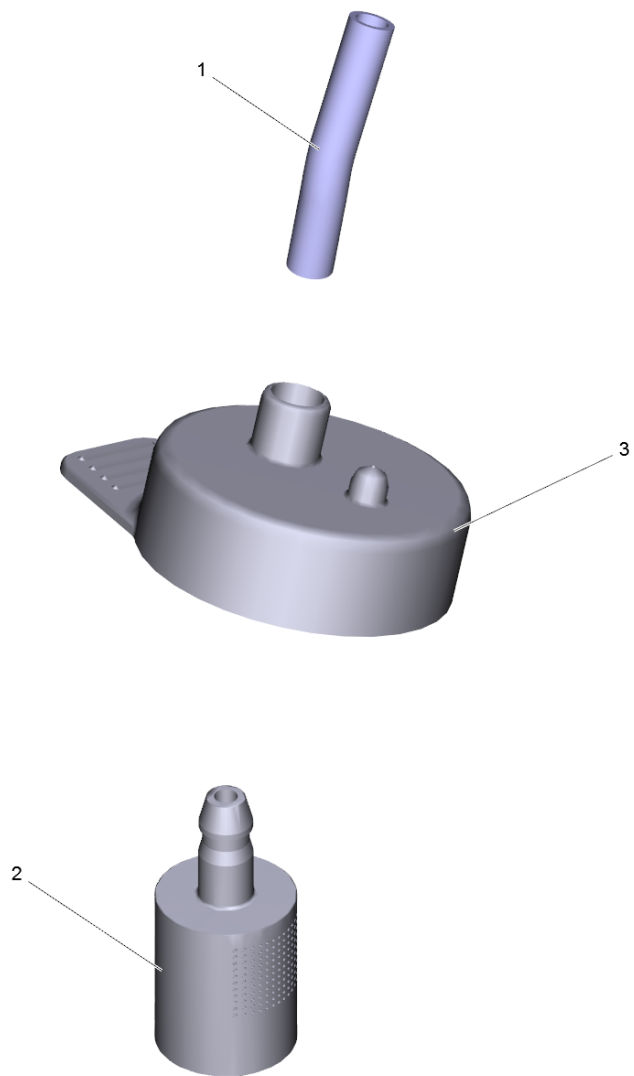
3 Switch with axle RV

| POS | Article no. | Description | Quantity | Unit |
|------------|--------------------|--|-----------------|-------------|
| 96 | 5.105-659.0 | Axle UZS 75.5mm | 1.000 | ST |
| 97 | 6.648-389.0 | Cable with capacitor 220nF (225/280mm) | 1.000 | ST |
| 95 | 6.630-768.0 | Switch replacement + UL/CSA RV | 1.000 | ST |



6 Spare parts set strain relief with cable (2.885-475.0)

| POS | Article no. | Description | Quantity | Unit |
|------------|--------------------|--------------------|-----------------|-------------|
| 2 | 9.760-372.0 | strain relief | 1.000 | ST |



119 Hose cleaning agents complete K2 FAMILY

| POS | Article no. | Description | Quantity | Unit |
|------------|--------------------|----------------------------|-----------------|-------------|
| 3 | 9.760-653.0 | Cover tank cleaning agents | 1.000 | ST |
| 2 | 5.731-652.0 | Filter with weight | 1.000 | ST |
| 1 | 6.388-216.0 | Hose DN 5 | 0.520 | M |



210 Short spare parts list

| POS | Article no. | Description | Quantity | Unit |
|-----|-------------|---------------------------------------|----------|------|
| 9 | 6.465-031.0 | Connection 3/4 | 1.000 | ST |
| 8 | 4.764-312.0 | Dirt blaster Entry FC 026 K | 1.000 | ST |
| 11 | 5.731-652.0 | Filter with weight | 1.000 | ST |
| 1 | 2.643-823.0 | G 120 Q Full Control Power Gun | 1.000 | ST |
| 5 | 6.396-514.0 | High pressure hose 12MPa/6 40°C QCS B | 1.000 | ST |
| 10 | 6.388-216.0 | Hose DN 5 | 1.000 | M |
| 6 | 2.640-729.0 | O-Ring seal set | 2.000 | ST |
| 4 | 2.640-729.0 | O-Ring seal set | 1.000 | ST |
| 2 | 5.332-464.0 | Pressure spring | 1.000 | ST |
| 7 | 2.642-724.0 | VP 120 Vario Power Jet (packaged) | 1.000 | ST |