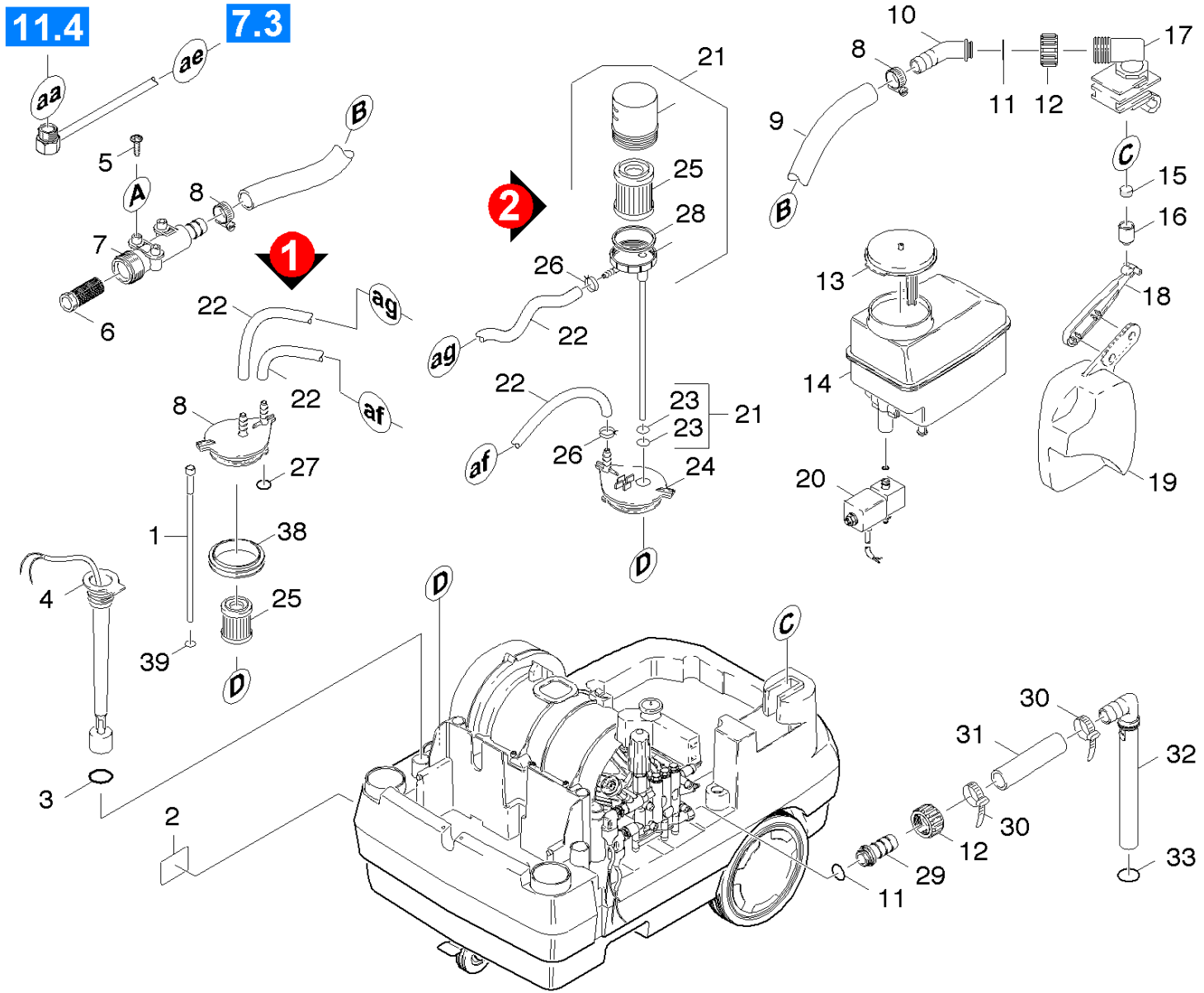


# 80 Float chest

Overview technical documents/Professional/High pressure cleaner hotwater/Electric motor/HDS 798 CSX \*EU (1.174-301.0)/Spare parts list HDS 798 CSX/80 Float chest



**80 Float chest**

Overview technical documents/Professional/High pressure cleaner hotwater/Electric motor/HDS 798 CSX \*EU (1.174-301.0)/Spare parts list HDS 798 CSX/80 Float chest

Rez.daļas/nodil.pakļ.daļas	Poz.	Materiāla Nr.	Nosaukums	Daudzums	Pārdoš. vienība	no sēr. Nr..	līdz sēr. Nr.
	1	5.029-486.0	Tube	1.000	ST		
	2	5.383-342.0	Label fuel oil einfuellen	1.000	ST	0000000000	0000000000
	3	7.362-500.0	O-Ring seal 25x2,5-NBR 70 DIN 3770	1.000	ST	0000000000	0000000000
X-X	4	2.885-127.0	Level probe 047-nur fuer Ersatz-	1.000	ST	0000000000	0000000000
X	5	7.303-114.0	Screw 6 x 35-ST-10.9-A2R (IN6RD)	2.000	ST	0000000000	0000000000
X-X	6	6.414-141.0	Sieta filtrs	1.000	ST	0000000000	0000000000
X-X	7	5.427-249.0	Cauruļvads	1.000	ST	0000000000	0000000000
X-X	8	5.063-856.0	Cover filter housing	1.000	ST		
X-X	9	6.388-719.0	Hose DN17	1.000	M	0000000000	0000000000
X-X	10	5.443-285.0	Caurules nipelis	1.000	ST	0000000000	0000000000
X-X	11	6.362-078.0	Gredzenblīve 13,3x2,4	2.000	ST	0000000000	0000000000
X-X	12	5.310-062.0	Uzgrieznis	2.000	ST	0000000000	0000000000
	13	5.063-357.0	Cover	1.000	ST	0000000000	0000000000
X-X	14	4.070-313.0	Tank	1.000	ST	0000000000	0000000000
X-X	15	5.364-095.0	Plakana blīve	1.000	ST	0000000000	0000000000
X-X	16	5.584-085.0	Vārsta ass	1.000	ST	0000000000	0000000000
X-X	17	5.587-195.0	Vārsta korpuss	1.000	ST	0000000000	0000000000
X-X	18	5.481-256.0	Svira	1.000	ST	0000000000	0000000000
X-X	19	5.585-030.0	Pludiņš	1.000	ST	0000000000	0000000000
X-X	20	6.685-845.0	Solenoīda vārsts	1.000	ST	0000000000	0000000000
X-X	21	4.730-117.0	Filter	1.000	ST	0000000000	0000000000
X-X	22	6.389-534.0	Šļūtene	1.000	M	0000000000	0000000000
X-X	23	6.362-384.0	Gredzenblīve 9x1,5 - NBR 70	2.000	ST	0000000000	0000000000
X-X	24	5.064-179.0	Cover	1.000	ST	0000000000	0000000000
X-X	25	6.414-559.0	Degvielas filtrs	1.000	ST	0000000000	0000000000

**80 Float chest**

Overview technical documents/Professional/High pressure cleaner hotwater/Electric motor/HDS 798 CSX \*EU (1.174-301.0)/Spare parts list HDS 798 CSX/80 Float chest

Rez.daļas/nodil.pakļ.daļas	Poz.	Materiāla Nr.	Nosaukums	Daudzums	Pārdoš. vienība	no sēr. Nr..	līdz sēr. Nr.
X-X	26	6.389-768.0	Hose clip	1.000	ST	0000000000	0000000000
X-X	27	6.362-499.0	O-Ring seal	1.000	ST	0000000000	0000000000
X-X	28	5.363-629.0	Blīve	1.000	ST	0000000000	0000000000
X-X	29	5.443-365.0	Caurules nipelis (HDS555C)	1.000	ST	0000000000	0000000000
X-X	30	6.641-474.0	Kabeļu aptvere 8-210	2.000	ST	0000000000	0000000000
X-X	31	6.392-257.0	Piece of tube 19x4x80	1.000	ST	0000000000	0000000000
X	32	5.443-459.0	Hose connection	1.000	ST	0000000000	0000000000
X-X	33	6.362-161.0	Gredzenblīve 19,3 X 2,4	1.000	ST	0000000000	0000000000
	36	6.368-319.0	Drain plug	1.000	ST	0000000000	0000000000
X	37	6.362-113.0	Gredzenblīve 6,0 x 2,0 NBR 70	1.000	ST	0000000000	0000000000
X-X	38	5.363-533.0	Joint ring fuel	1.000	ST	0000000000	0000000000
	39	6.362-690.0	Gredzenblīve 7x2 - NBR 70	1.000	ST	0000000000	0000000000