

Spare parts list

(1.545-108.0) EB 30/1 Professional*EU

Table of contents

EB 30/1 Professional*EU (1.545-108.0)	3
1 Spare parts list EB 30/1 (5.970-497.0)	4
10 Individual parts	5
20 Locking part completely	8

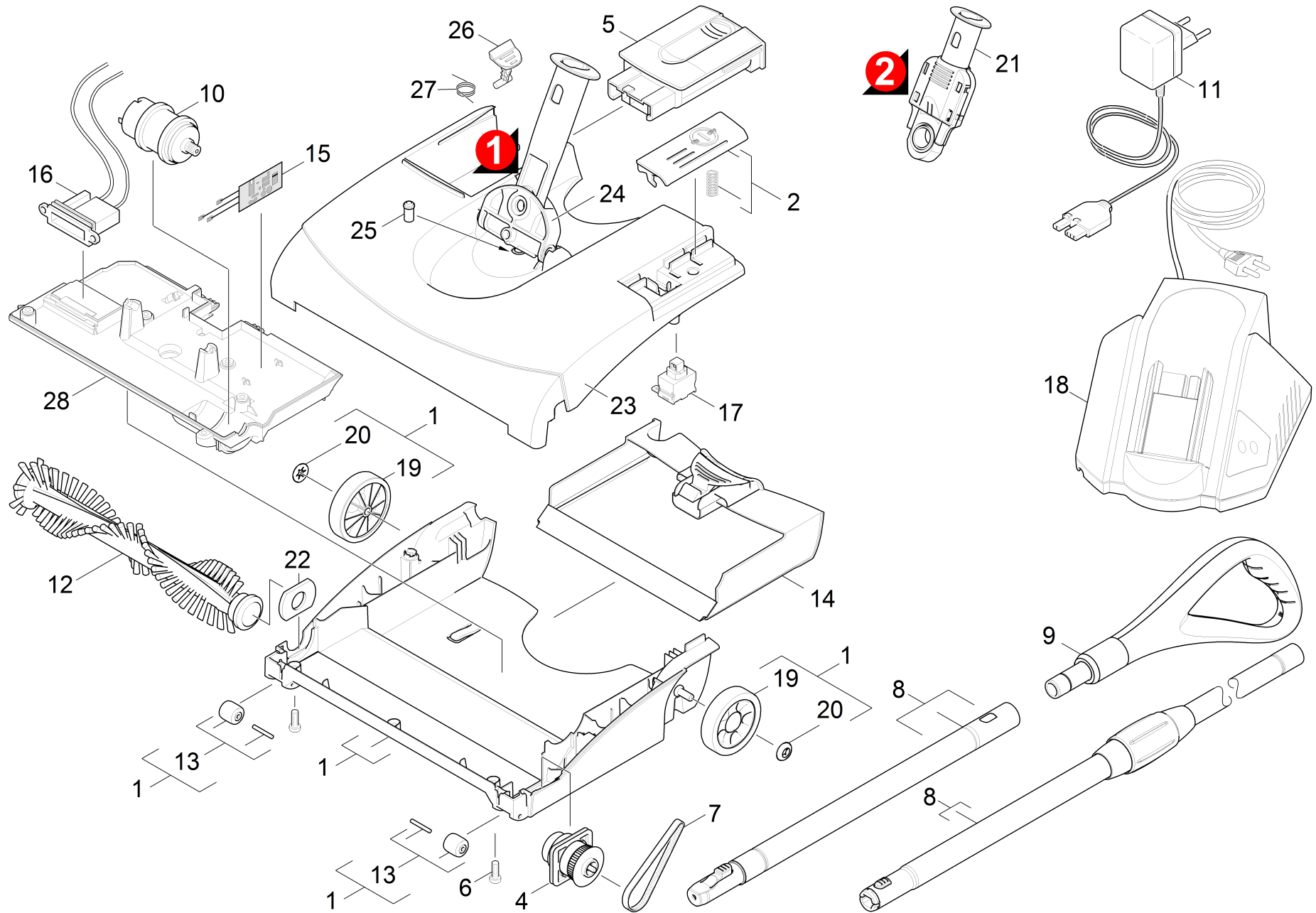
EB 30/1 Professional*EU (1.545-108.0)

POS	Article no.	Description	Quantity	Unit
1	5.970-497.0	Spare parts list EB 30/1	1.000	ST

1 Spare parts list EB 30/1 (5.970-497.0)

POS	Description	Quantity	Unit
10	Individual parts	1.000	ST
20	Locking part completely	1.000	ST

10 Individual parts

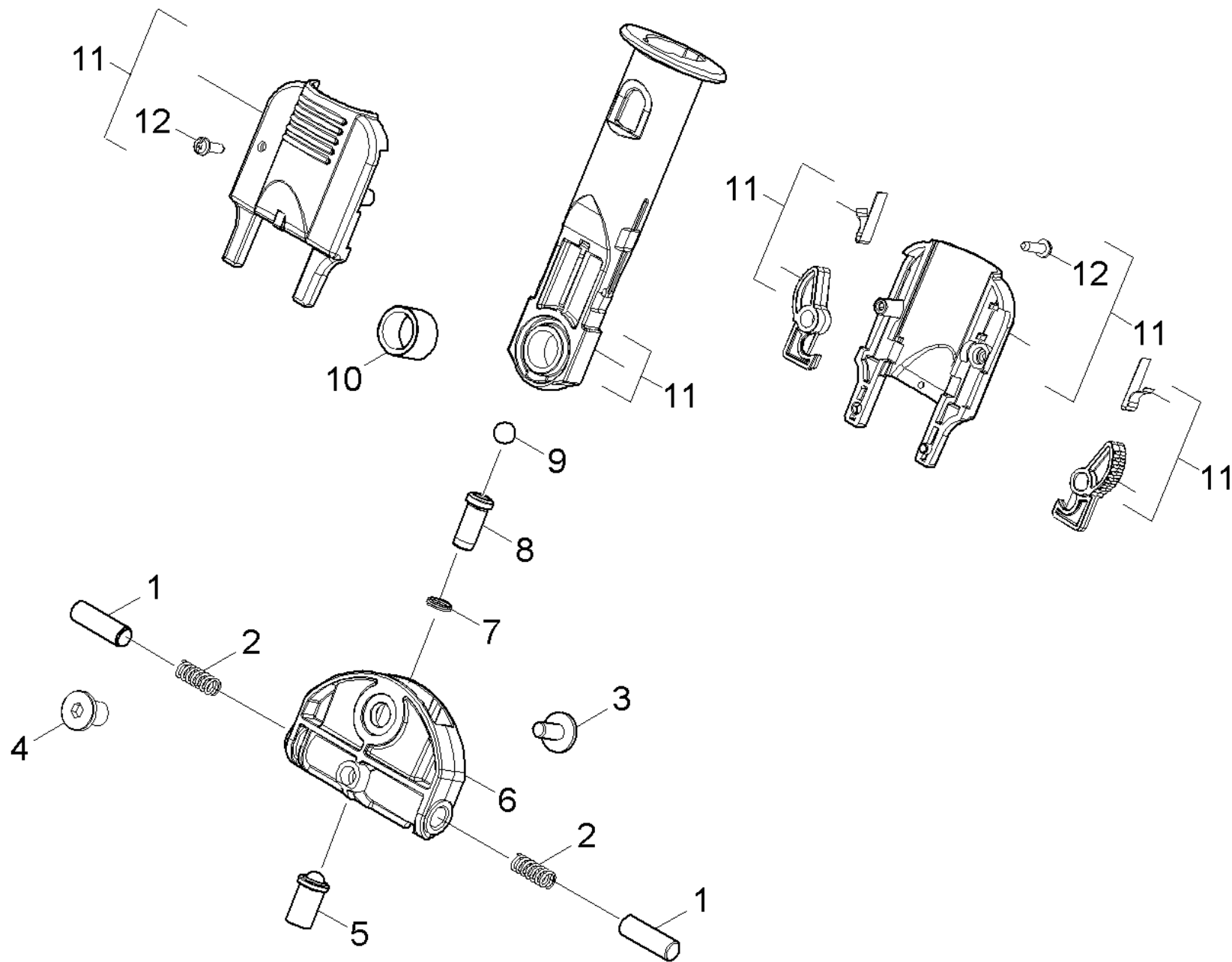


10 Individual parts

POS	Article no.	Description	Quantity	Unit	Remark	Foot note text
5	4.654-259.0	Accumulator packaged	1.000	ST		
	Item text1: 1.545-100/-102/-103/-107/-108/-109/-111					
5	4.654-273.0	Accumulator packaged Li-Ion	1.000	ST	1,3Ah	
	Item text1: 1.545-114.0 / -115.0 / -116.0 / -117.0					
	Item text2: / -118.0					
5	4.654-283.0	Accumulator packaged Li-Ion Professional	1.000	ST	2,6Ah	
	Item text1: 1.545-117					
22	5.008-775.0	Bearing plate left	1.000	ST		
1	4.081-005.0	Bottom part complete	1.000	ST	1.545-117/-118/-119/-120	
28	5.033-102.0	Covering cap inside	1.000	ST		
16	4.822-434.0	Electrical small parts complete	1.000	ST		
15	4.682-092.0	Electronics complete	1.000	ST		
	Item text1: 1.545-104.0					
9	4.070-606.0	Hand grip complete	1.000	ST		
24	5.605-314.0	Joint	1.000	ST		
27	6.330-254.0	Leg spring	1.000	ST		
21	4.672-201.0	Locking part complete	2.000	ST		YELLOW
21	4.672-181.0	Locking part complete	2.000	ST		BLACK
20	6.343-187.0	Lock washer	2.000	ST		
11	6.646-668.0	Mains-adapter *AU	1.000	ST		
	Item text1: 1.545-111					
11	6.646-649.0	Mains-adapter *EUR	1.000	ST		
	Item text1: 1.545-100					
11	6.646-667.0	Mains-adapter *GB	1.000	ST		
	Item text1: 1.545-102					
11	6.646-670.0	Mains-adapter 120V	1.000	ST		
	Item text1: 1.545-104.0					
11	6.646-861.0	Mains-adapter Li-Ion *EU	1.000	ST		
	Item text1: 1.545-115.0 Li-Ion					
10	4.623-750.0	Motor complete	1.000	ST		
26	5.324-088.0	Pushbutton locking part accumulator	1.000	ST		
2	4.324-047.0	Pushbutton with spring	1.000	ST		YELLOW

10 Individual parts

POS	Article no.	Description	Quantity	Unit	Remark	Foot note text
2	4.324-024.0	Pushbutton with spring	1.000	ST		BLACK
18	6.654-190.0	Rechargeable battery changer *EU BC 1/1.	1.000	ST	/*EUR	
	Item text1: 1.545-108/-114/-115/-117 Li-Ion					
18	6.654-197.0	Rechargeable battery changer 120 V BC 1/	1.000	ST		
	Item text1: 1.545-104.0					
18	6.654-196.0	Rechargeable battery changer carton four	1.000	ST		
	Item text1: 1.545-109/-116/-118 Li-Ion					
18	6.654-199.0	Rechargeable battery changer carton four	1.000	ST		
	Item text1: 1.545 -112.0 / -120.0					
18	6.654-201.0	Rechargeable battery changer carton four	1.000	ST		
	Item text1: 1.545 -111.0 / -119.0					
12	4.762-400.0	Roller brush packaged	1.000	ST		BLACK
12	4.762-401.0	Roller brush red packaged	1.000	ST		RED
13	4.880-058.0	Roller set	1.000	ST		
6	7.303-129.0	Screw 4x16 -10.9-R2R (K-In6Rd)	11.000	ST		
11	7.777-999.0	Stockpiling discontinued	1.000	ST		
	Item text1: 1.545-107					
14	4.070-588.0	Sweep tank complete	1.000	ST		BLACK
14	4.070-804.0	Sweep tank complete	1.000	ST	1.545-117/-118/-119/-120	BLACK/YELLOW
17	6.630-413.0	Switch	1.000	ST		
25	4.110-013.0	Thrust piece springy	1.000	ST		
7	6.348-427.0	Toothed belt	1.000	ST		
23	5.080-028.0	Top part	1.000	ST	1.545-117/-118/-119/-120	GREY
23	5.080-022.0	Top part	1.000	ST		YELLOW
4	4.454-000.3	Transmission	1.000	ST		
8	4.070-598.0	Tube complete	1.000	ST		BLACK
8	4.070-813.0	Tube completely	1.000	ST	1.545-117/-118/-119/-120	YELLOW
19	5.515-276.0	Wheel	2.000	ST		YELLOW
19	5.515-000.0	Wheel grey	2.000	ST	1.545-117/-118/-119/-120	GREY



20 Locking part completely

POS	Article no.	Description	Quantity	Unit	Remark	Foot note text
8	5.112-774.0	Ball bushing	1.000	ST		
1	5.100-497.0	Bolt bearing	2.000	ST		
6	5.605-314.0	Joint	1.000	ST		
11	4.672-181.0	Locking part complete	1.000	ST	schwarz	VERSION 1
11	4.672-201.0	Locking part complete	1.000	ST	gelb	VERSION 2
4	6.311-016.0	Nut M 6-St-gal Ni	1.000	ST		
7	5.332-551.0	Pressure spring	1.000	ST		
2	5.332-543.0	Pressure spring	2.000	ST		
12	6.303-318.0	Screw 3,5x12-10.9-R2R (IN6RD)	2.000	ST		
3	6.303-492.0	Screw M6x12-St-gal Zn	1.000	ST		
10	5.112-773.0	Spacer sleeve	1.000	ST		
9	7.401-916.0	Sphere 8,0 G10 -1.4034 DIN 5401	1.000	ST		
5	4.110-013.0	Thrust piece springy	1.000	ST		