

Spare parts list

(5.970-711.0) Spare parts list HDS 10/20

Table of contents

| | |
|--|----|
| Spare parts list HDS 10/20 (5.970-711.0) | 5 |
| 10 Housing | 6 |
| 11 Housing | 7 |
| 8 Device cover complete only for replaceme (4.066-426.0) | 9 |
| 1 Device cover complete basalt grey RAL 70 | 10 |
| 30 Conversion kit holder small Kessel (2.882-691.0) | 12 |
| 6 Spare parts list reversion kit holder kl (5.953-327.0) | 13 |
| 10 Conversion kit holder boiler | 14 |
| 12 Bottom part | 16 |
| 26 Cover fuel complete (4.064-013.0) | 19 |
| 13 Hose reel | 21 |
| 14 Hose reel | 23 |
| 20 Crank complete (4.481-263.0) | 25 |
| 20 Pump set | 27 |
| 21 Cylinder head | 28 |
| 12 Piston complete (4.553-287.0) | 31 |
| 20 Valve (3 Stueck) (2.884-512.0) | 33 |
| 34 Piston complete only for replacement (4.553-197.0) | 35 |
| 40 Valve complete (4.580-594.0) | 37 |
| 100 Spare part set pump (2.885-034.0) | 39 |
| 1 Valve (3 Stueck) (2.884-512.0) | 40 |
| 3 Valve complete (4.580-594.0) | 42 |
| 22 Piston | 44 |
| 30 Motor | 46 |
| 40 Blower | 49 |
| 12 Conversion kit blower wheel (2.641-430.0) | 51 |
| 50 Fuel pump | 53 |
| 3 Fuel pump only for replacement (4.473-032.0) | 55 |
| 6 Filter complete (4.730-167.3) | 57 |
| 1 Filter complete (4.730-167.0) | 58 |
| 60 Electric control box | 60 |
| 70 Flow heater | 63 |
| 71 Burner cover | 65 |
| 10 Cover pressure boiler (4.654-218.0) | 67 |
| 17 Conversion kit ignition electrode (2.638-974.0) | 69 |
| 72 Burner cover | 71 |
| 10 Cover pressure boiler (4.654-218.0) | 73 |
| 17 Conversion kit ignition electrode (2.638-974.0) | 75 |

Table of contents

| | |
|--|-----|
| 73 Burner cover | 77 |
| 10 Cover pressure boiler (4.654-218.0) | 79 |
| 17 Conversion kit ignition electrode (2.638-974.0) | 81 |
| 74 Heating coil | 83 |
| 75 Heating coil | 85 |
| 76 Heating coil | 87 |
| 10 Conversion kit holder small Kessel (2.882-691.0) | 89 |
| 6 Spare parts list reversion kit holder kl (5.953-327.0) | 90 |
| 10 Conversion kit holder boiler | 91 |
| 77 Heating coil | 93 |
| 78 Burner bottom | 95 |
| 2 Bottom pressure boiler (4.655-044.0) | 97 |
| 80 Float valve | 99 |
| 81 Float valve | 100 |
| 82 Float valve | 102 |
| 90 Safety system | 104 |
| 10 Safety valve complete replacement (4.580-709.0) | 106 |
| 100 Accessories | 108 |
| 101 Hand trigger gun | 109 |
| 1 HAND TRIGGER GUN EASY PRESS (4.775-463.0) | 111 |
| 9002 Lever complete (4.481-209.0) | 113 |
| 4 Rotary controller 416L (4.775-470.0) | 115 |
| 5 Hose assembly only for replacement DN8 4 (6.391-351.0) | 117 |
| 13 Lever complete (4.481-209.0) | 119 |
| 102 Hand trigger gun | 121 |
| 1 Rotary controller 416L (4.775-470.0) | 123 |
| 4 Hand trigger gun (4.775-466.0) | 125 |
| 60 Adapter pipelines AVS-M22x1,5 (4.421-739.3) | 127 |
| 9002 Lever complete (4.481-209.0) | 129 |
| 13 Lever complete (4.481-209.0) | 131 |
| 15 Adapter pipelines AVS-M22x1,5 (4.421-739.3) | 133 |
| 103 Jet pipe | 135 |
| 1 Jet pipe packaged only for replacement (4.760-660.0) | 137 |
| 14 Screw connector part (5.401-210.0) | 139 |
| 8 Screw connector part (5.401-210.0) | 140 |
| 9 Power nozzle 25054 (2.883-927.0) | 141 |
| 10 Dirt blaster 055/06 (4.763-250.0) | 142 |
| 11 Spare parts list dirt blaster (5.955-641.0) | 143 |

Table of contents

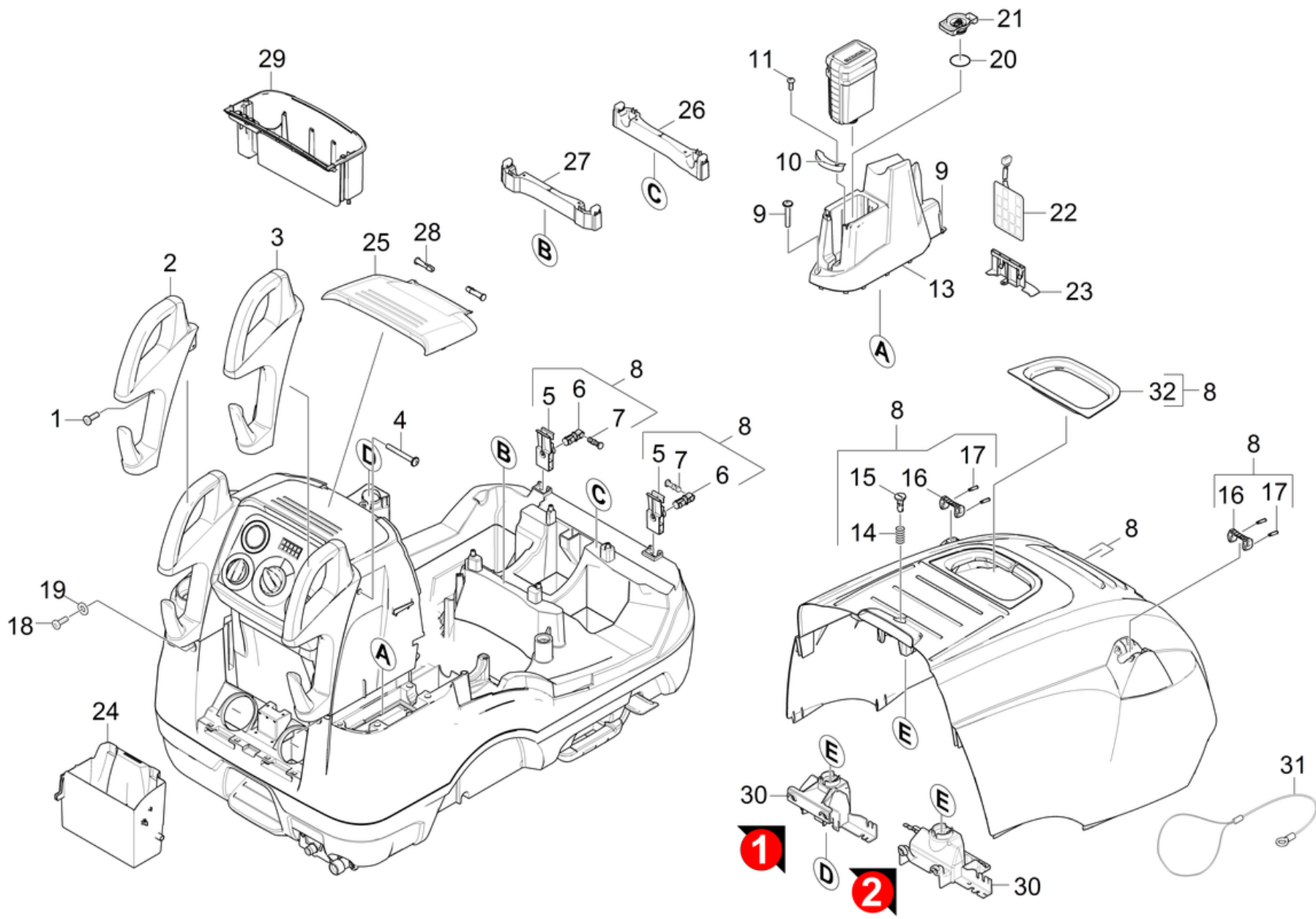
| | |
|---|-----|
| 10 Dirt blaster | 144 |
| Spare part set rotor 170 (2.881-025.0) | 147 |
| Spare part set dirt blaster 04-HD 1050 (2.883-471.0) | 149 |
| Spare part set dirt blaster 05 (2.883-472.0) | 151 |
| Spare part set dirt blaster 055/06 (2.883-473.0) | 153 |
| Spare part set dirt blaster 07/08-HDS 8 (2.883-474.0) | 155 |
| Spare part set dirt blaster 120 (2.884-051.0) | 157 |
| Spare part set dirt blaster 035 (2.884-052.0) | 159 |
| Spare part set dirt blaster 045 (2.884-113.0) | 161 |
| Spare part set dirt blaster 09 (2.884-316.0) | 163 |
| Spare parts set rotor 100 (2.885-196.0) | 165 |
| 110 Control panel | 167 |

Spare parts list HDS 10/20 (5.970-711.0)

| POS | Description | Quantity | Unit |
|-----|----------------------|----------|------|
| 10 | Housing | 1.000 | ST |
| 20 | Pump set | 1.000 | ST |
| 30 | Motor | 1.000 | ST |
| 40 | Blower | 1.000 | ST |
| 50 | Fuel pump | 1.000 | ST |
| 60 | Electric control box | 1.000 | ST |
| 70 | Flow heater | 1.000 | ST |
| 80 | Float valve | 1.000 | ST |
| 90 | Safety system | 1.000 | ST |
| 100 | Accessories | 1.000 | ST |
| 110 | Control panel | 1.000 | ST |

10 Housing

| POS | Description | Quantity | Unit | Remark |
|------------|--------------------|-----------------|-------------|---------------|
| 11 | Housing | 1.000 | ST | |
| 12 | Bottom part | 1.000 | ST | |
| 13 | Hose reel | 1.000 | ST | VERSION 1 |
| 14 | Hose reel | 1.000 | ST | VERSION 2 |

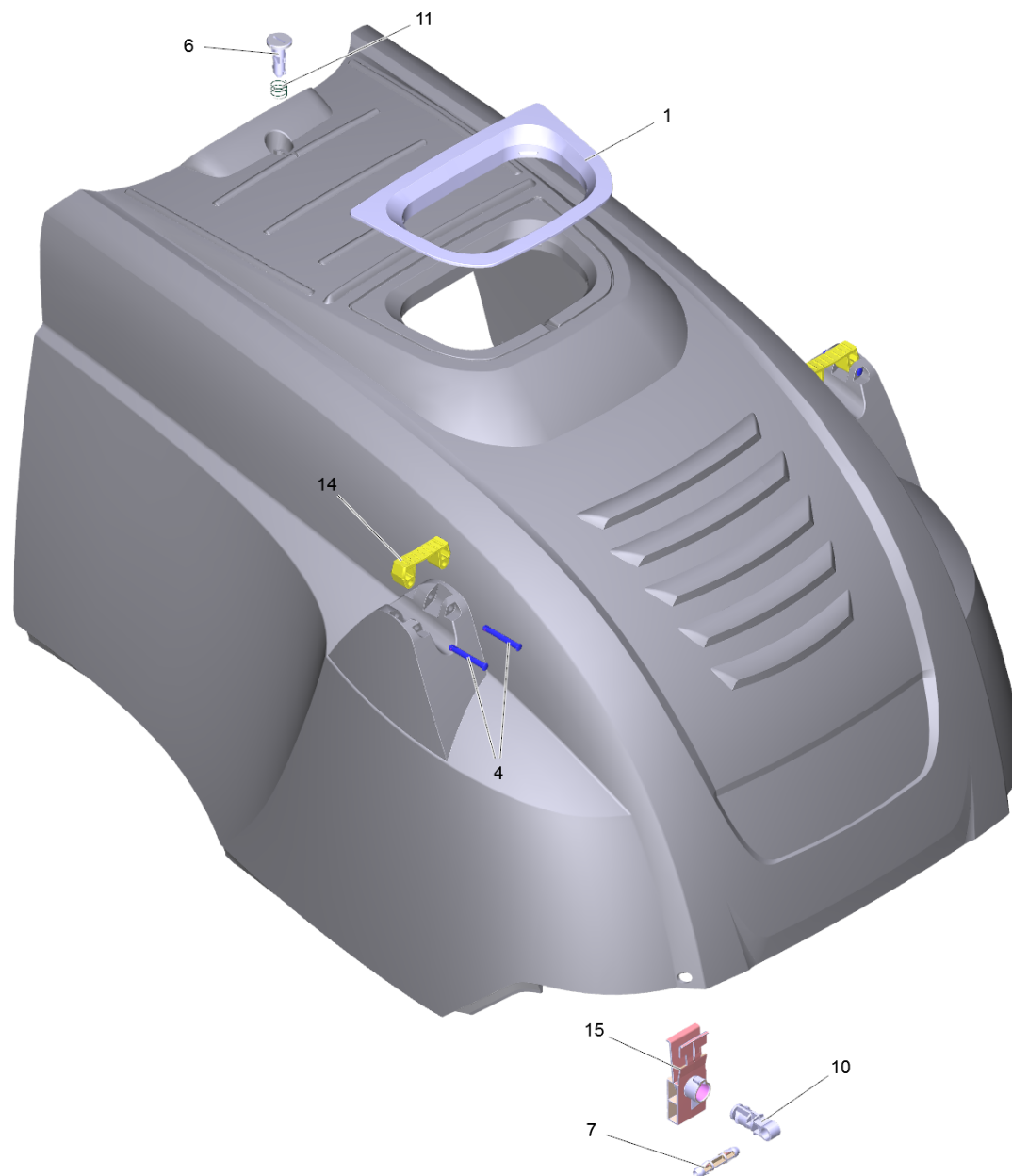


11 Housing

| POS | Article no. | Description | Quantity | Unit | Remark |
|-----|--|--|----------|------|-----------|
| 1 | 7.303-069.0 | Screw M 8x25-ST-R3R (IN6RD) | 2.000 | ST | |
| 2 | 5.321-830.0 | Sliding handle left | 1.000 | ST | |
| 3 | 5.321-831.3 | Sliding handle right | 1.000 | ST | |
| 4 | 7.303-209.0 | Screw 6x50 -10.9-R2R (K-In6Rd) | 2.000 | ST | |
| 5 | 5.501-070.0 | Hinge cover | 2.000 | ST | |
| 6 | 5.317-228.0 | Bolt hinge | 2.000 | ST | |
| 7 | 5.317-291.0 | Bolt | 2.000 | ST | |
| 8 | 4.066-426.0 | Device cover complete only for replaceme | 1.000 | ST | |
| 9 | 7.303-086.0 | Screw 5x30 -10.9-R2R (K-In6Rd) | 2.000 | ST | |
| 10 | 5.033-381.0 | Profile | 1.000 | ST | |
| 11 | 7.303-106.0 | Screw 4x12 -10.9-R2R (IN6RD) | 1.000 | ST | |
| 13 | 5.033-344.0 | Covering cap DGT | 1.000 | ST | |
| 14 | 5.332-236.0 | Helical spring | 1.000 | ST | |
| 15 | 5.316-318.0 | Bolt | 1.000 | ST | |
| 16 | 5.424-139.0 | Fixing jet pipe | 2.000 | ST | |
| 17 | 5.314-143.0 | Pin fixing jet pipe | 4.000 | ST | |
| 18 | 6.303-497.0 | Screw M8x35-8.8-A2E (IN6RD) | 2.000 | ST | |
| 19 | 7.312-277.0 | Washer 8-200HV-A2E ISO7093-1 | 2.000 | ST | |
| 20 | 6.362-377.0 | O-Ring seal 38,0 X 2,0-NBR 70 | 1.000 | ST | |
| 21 | 5.425-495.0 | CONNECTION PIECE DGT | 1.000 | ST | |
| 22 | 2.885-055.0 | Circuit board | 1.000 | ST | |
| 23 | 5.044-889.0 | Holder circuit board | 1.000 | ST | |
| 24 | 5.033-155.0 | Flap | 1.000 | ST | |
| | Item text1: 1.071-401.0 /-402.0 /-403.0 | | | | |
| 25 | 5.033-113.0 | Flap | 1.000 | ST | |
| 26 | 5.190-249.0 | Strip front | 1.000 | ST | |
| 27 | 5.190-250.0 | Strip rear | 1.000 | ST | |
| 28 | 5.317-220.0 | Bolt | 2.000 | ST | |
| 29 | 5.033-112.0 | Storage compartment | 1.000 | ST | |
| 30 | 2.882-691.0 | Conversion kit holder small Kessel | 1.000 | ST | VERSION 2 |
| 30 | 5.412-015.0 | Closure cover | 1.000 | ST | VERSION 1 |
| 31 | 6.431-274.0 | Tackle cover | 1.000 | ST | |
| 32 | 5.061-455.0 | Sheet metal component | 1.000 | ST | |

8 Device cover complete only for replaceme (4.066-426.0)

| POS | Description | Quantity | Unit |
|-----|--|----------|------|
| 1 | Device cover complete basalt grey RAL 70 | 1.000 | ST |



1 Device cover complete basalt grey RAL 70

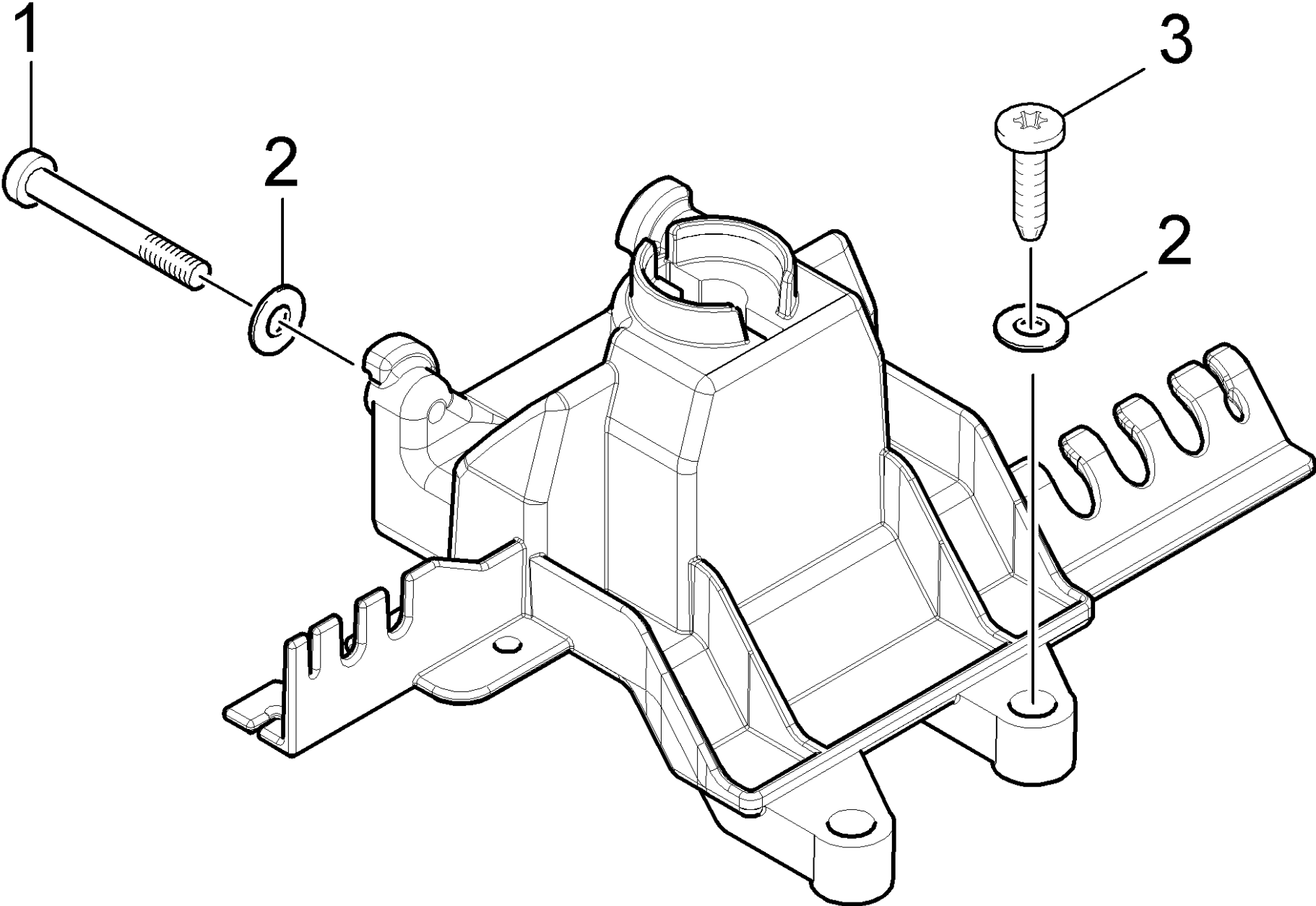
| POS | Article no. | Description | Quantity | Unit |
|------------|--------------------|-----------------------|-----------------|-------------|
| 1 | 5.061-455.0 | Sheet metal component | 1.000 | ST |
| 4 | 5.314-143.0 | Pin fixing jet pipe | 4.000 | ST |
| 6 | 5.317-765.0 | Bolt closure cover | 1.000 | ST |
| 7 | 5.317-291.0 | Bolt | 2.000 | ST |
| 10 | 5.317-779.0 | Bolt hinge black | 2.000 | ST |
| 11 | 5.332-236.0 | Helical spring | 1.000 | ST |
| 14 | 5.424-162.0 | Fixing jet pipe | 2.000 | ST |
| 15 | 5.501-083.0 | Hinge cover black | 2.000 | ST |

30 Conversion kit holder small Kessel (2.882-691.0)

| POS | Article no. | Description | Quantity | Unit |
|------------|--------------------|--|-----------------|-------------|
| 6 | 5.953-327.0 | Spare parts list reversion kit holder kl | 1.000 | ST |

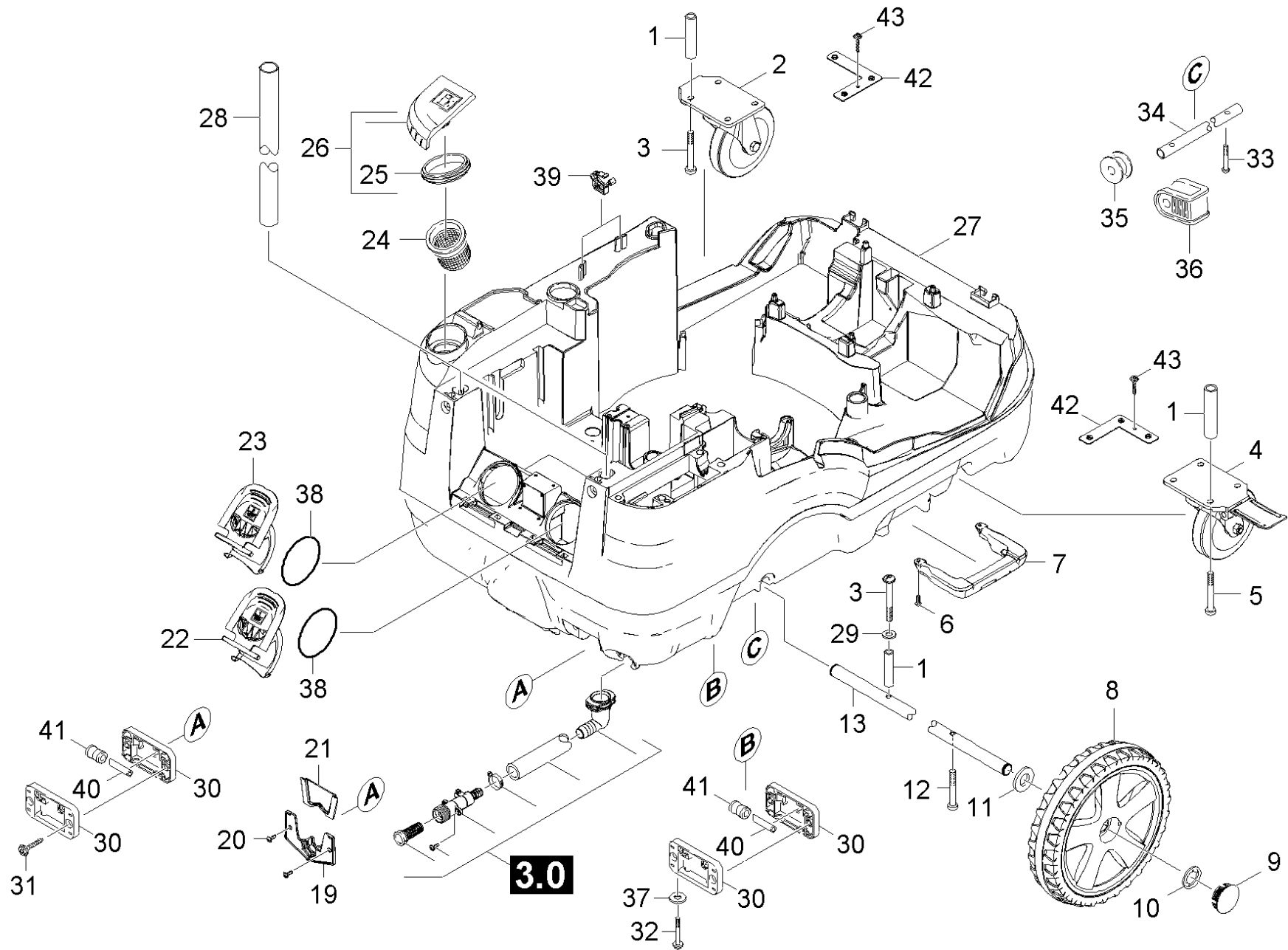
6 Spare parts list reversion kit holder kl (5.953-327.0)

| POS | Description | Quantity | Unit |
|-----|------------------------------|----------|------|
| 10 | Conversion kit holder boiler | 1.000 | ST |



10 Conversion kit holder boiler

| POS | Article no. | Description | Quantity | Unit |
|------------|--------------------|--------------------------------|-----------------|-------------|
| 1 | 7.303-111.0 | Screw 5x50 -10.9-R2R (K-In6Rd) | 2.000 | ST |
| 2 | 7.312-278.0 | Washer 5-200HV-A2E ISO7093-1 | 4.000 | ST |
| 3 | 6.303-320.0 | Screw M 5x 20-St-R2R | 2.000 | ST |

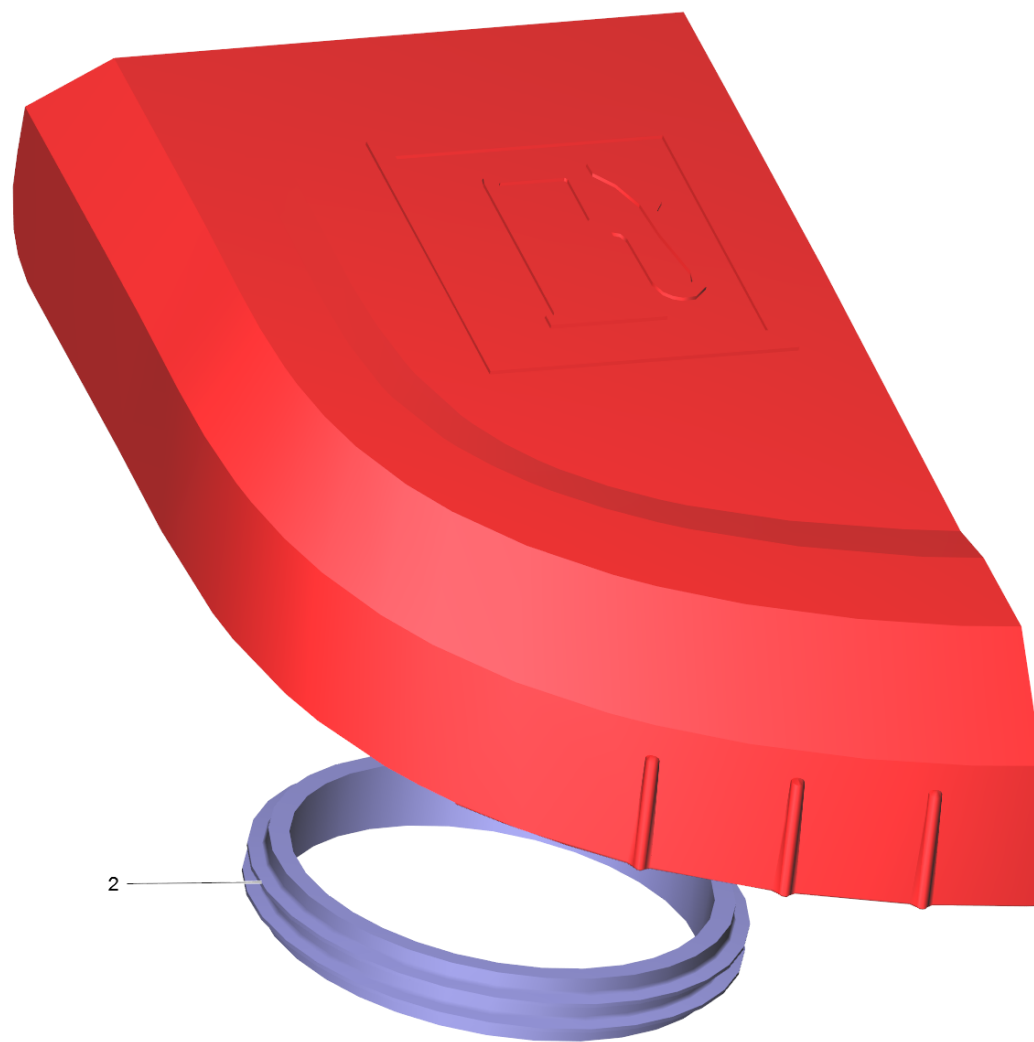


12 Bottom part

| POS | Article no. | Description | Quantity | Unit |
|-----|--|--------------------------------|----------|------|
| 1 | 5.111-065.0 | Spacer sleeve | 7.000 | ST |
| 2 | 6.435-777.0 | Castor D 160 | 1.000 | ST |
| 3 | 7.303-236.0 | Screw M 8x60-St-A3E (IN6RD) | 4.000 | ST |
| 4 | 6.435-747.0 | Castor | 1.000 | ST |
| 5 | 7.303-237.0 | Screw M 8x70-St-A3K (IN6RD) | 3.000 | ST |
| 6 | 7.303-046.0 | Screw M6x12 -St-R3R (In6Rd) | 4.000 | ST |
| 7 | 5.424-136.0 | Fixing | 2.000 | ST |
| 8 | 4.515-263.0 | Wheel complete | 2.000 | ST |
| 9 | 5.392-038.0 | Wheel cap | 2.000 | ST |
| 10 | 6.343-162.0 | Lock washer -25 | 2.000 | ST |
| 11 | 7.312-060.0 | Washer 24-100HV-A3E ISO 7091 | 2.000 | ST |
| 12 | 7.303-236.0 | Screw M 8x60-St-A3E (IN6RD) | 1.000 | ST |
| 13 | 5.105-652.0 | Axle | 1.000 | ST |
| 19 | 5.263-087.0 | Tensioning part | 1.000 | ST |
| | Item text1: 1.071-401.0 /-402.0 /-403.0 | | | |
| 20 | 7.303-086.0 | Screw 5x30 -10.9-R2R (K-In6Rd) | 2.000 | ST |
| | Item text1: 1.071-401.0 /-402.0 /-403.0 | | | |
| 21 | 5.263-088.0 | Tensioning part | 1.000 | ST |
| | Item text1: 1.071-401.0 /-402.0 /-403.0 | | | |
| 22 | 5.064-231.0 | Cover chemistry 2 | 1.000 | ST |
| 23 | 5.064-221.0 | Cover chemistry 1 | 1.000 | ST |
| 24 | 5.731-039.0 | Filter | 1.000 | ST |
| 25 | 5.363-300.0 | Joint ring | 1.000 | ST |
| 26 | 4.064-013.0 | Cover fuel complete | 1.000 | ST |
| 27 | 4.051-109.0 | Frame neue M-Klasse Ersatz | 1.000 | ST |
| 28 | 5.027-292.0 | Tube handhold | 2.000 | ST |
| 29 | 7.312-277.0 | Washer 8-200HV-A2E ISO7093-1 | 1.000 | ST |
| 30 | 5.044-646.0 | Holder roller front | 4.000 | ST |
| | Item text1: 1.071-451.0 /-452.0 /-455.0 | | | |
| 31 | 7.303-118.0 | Screw 5x40 -A2-70 (IN6Rd) | 2.000 | ST |
| | Item text1: 1.071-451.0 /-452.0 /-455.0 | | | |
| 32 | 7.303-171.0 | Screw 5x80 -10.9-R2R (K-In6Rd) | 2.000 | ST |
| | Item text1: 1.071-451.0 /-452.0 /-455.0 | | | |

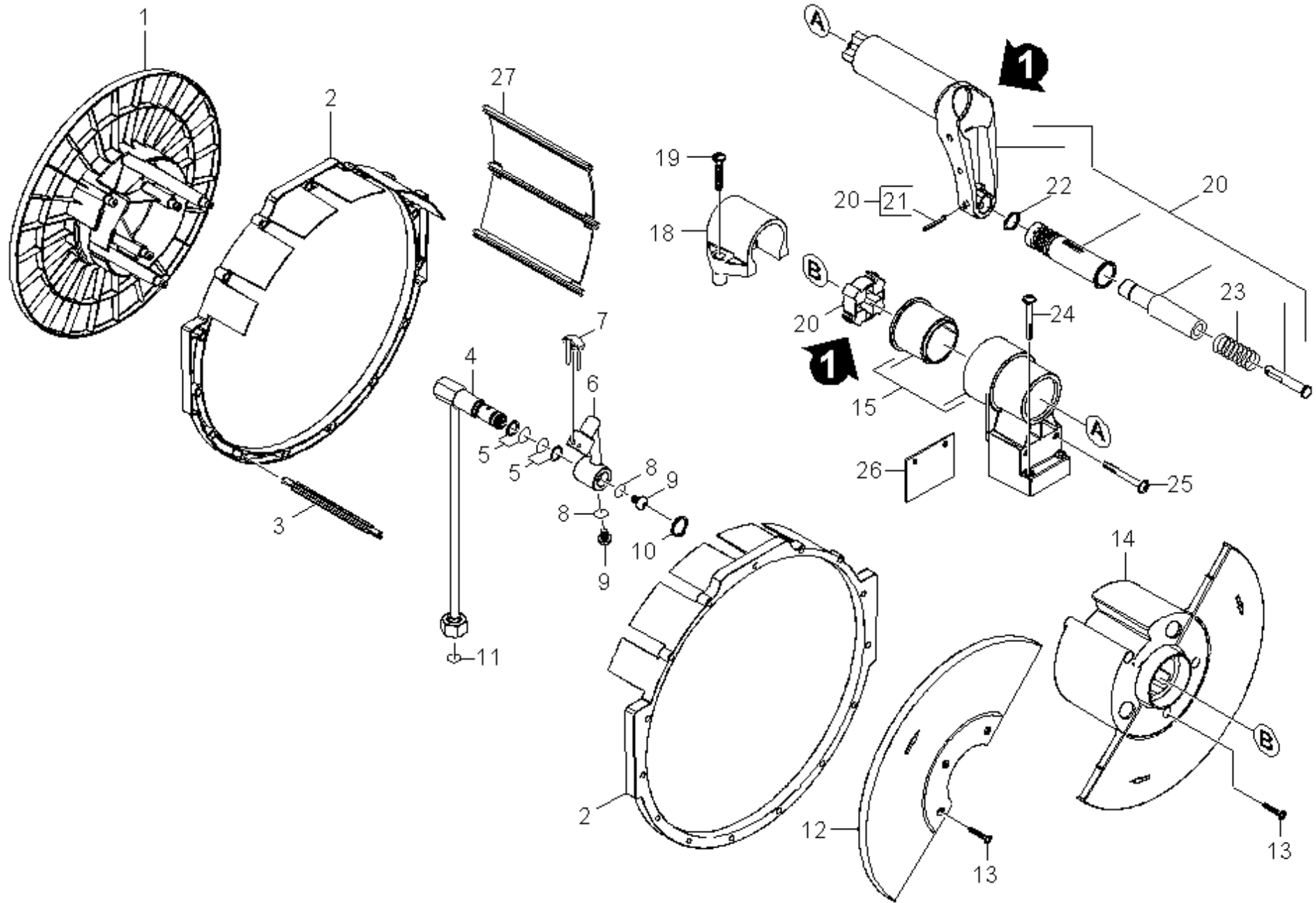
12 Bottom part

| POS | Article no. | Description | Quantity | Unit |
|-----|--|--------------------------------|----------|------|
| 33 | 7.303-086.0 | Screw 5x30 -10.9-R2R (K-In6Rd) | 2.000 | ST |
| | Item text1: 1.071-451.0 /-452.0 /-455.0 | | | |
| 34 | 5.033-524.0 | Axle | 2.000 | ST |
| | Item text1: 1.071-451.0 /-452.0 /-455.0 | | | |
| 35 | 5.515-112.0 | Deflection pulley | 1.000 | ST |
| | Item text1: 1.071-451.0 /-452.0 /-455.0 | | | |
| 36 | 5.033-415.0 | Slider | 1.000 | ST |
| | Item text1: 1.071-451.0 /-452.0 /-455.0 | | | |
| 37 | 7.312-278.0 | Washer 5-200HV-A2E ISO7093-1 | 2.000 | ST |
| 38 | 6.363-443.0 | O-Ring seal 75x5 | 2.000 | ST |
| 39 | 5.802-306.0 | Holder cable | 2.000 | ST |
| 40 | 5.128-511.0 | Axle | 6.000 | ST |
| 41 | 5.515-191.0 | Roller | 6.000 | ST |
| 42 | 5.424-137.0 | Fixing castor | 2.000 | ST |
| 43 | 7.303-107.0 | Screw 5x16 -10.9-P2R (K-In6Rd) | 2.000 | ST |



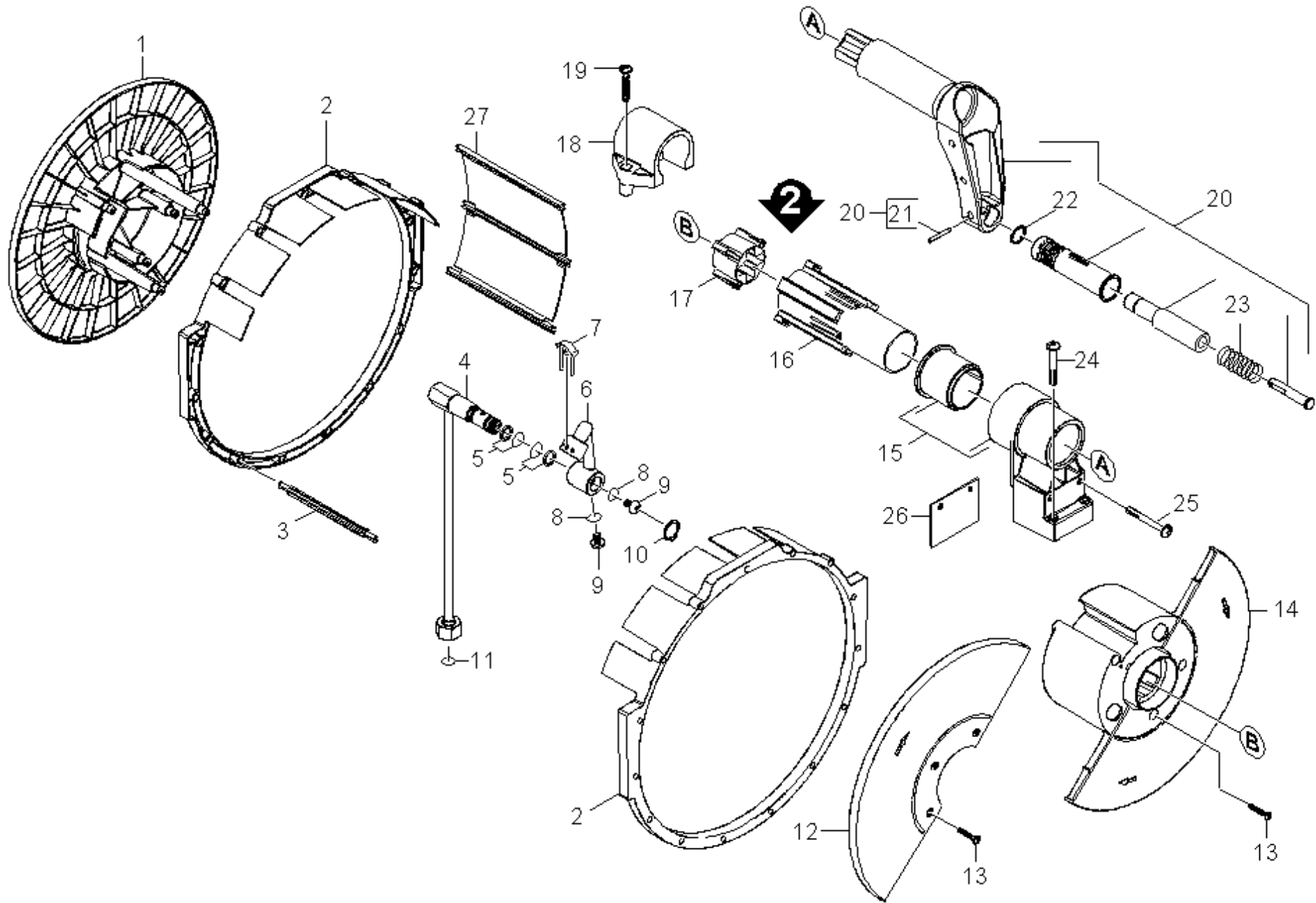
26 Cover fuel complete (4.064-013.0)

| POS | Article no. | Description | Quantity | Unit |
|------------|--------------------|--------------------|-----------------|-------------|
| 2 | 5.363-300.0 | Joint ring | 1.000 | ST |



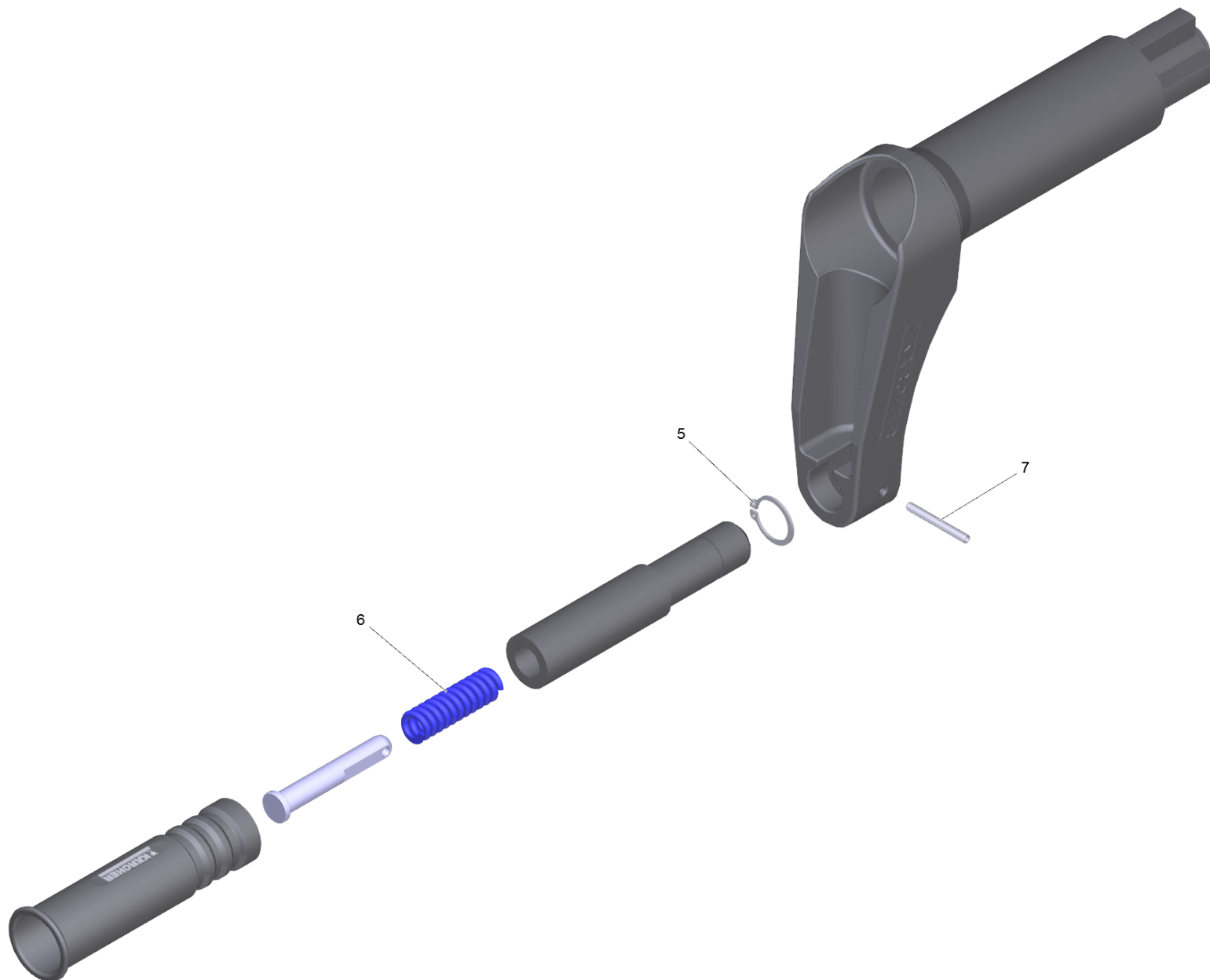
13 Hose reel

| POS | Article no. | Description | Quantity | Unit |
|-----|-------------|--------------------------------------|----------|------|
| 1 | 5.776-019.0 | Hose reel left half | 1.000 | ST |
| 2 | 5.044-849.0 | Cage | 2.000 | ST |
| 3 | 5.027-295.0 | Rod | 9.000 | ST |
| 4 | 4.422-103.0 | Pipelines | 1.000 | ST |
| 5 | 6.363-073.3 | O-Ring seal 14x1,78 1XSRH-NBR | 2.000 | ST |
| 6 | 5.427-310.0 | Manifold | 1.000 | ST |
| 7 | 4.037-013.0 | Hook | 1.000 | ST |
| 8 | 6.363-484.0 | O-Ring seal 8 x 2,2 mm HNBR Shore 80 | 2.000 | ST |
| 9 | 7.306-223.0 | Screw M8x12 -A2-70 (In6Rd) | 2.000 | ST |
| 10 | 7.343-018.0 | Locking ring 18x1,2-Rf-St DIN 471 | 1.000 | ST |
| 11 | 6.363-485.0 | O-Ring seal 10x 2 mm HNBR Shore 80 | 1.000 | ST |
| 12 | 5.776-021.0 | Hose reel right half 2 | 1.000 | ST |
| 13 | 7.303-108.0 | Screw 5x20 -10.9-R2R (In6Rd) | 6.000 | ST |
| 14 | 5.776-020.0 | Hose reel right half 1 | 1.000 | ST |
| 15 | 4.251-051.0 | Bearing support completely | 1.000 | ST |
| 18 | 5.251-060.0 | Bearing support bottom part | 1.000 | ST |
| 19 | 7.303-118.0 | Screw 5x40 -A2-70 (IN6Rd) | 2.000 | ST |
| 20 | 2.885-146.0 | Repair set hose reel | 1.000 | ST |
| 21 | 7.314-967.0 | Spring pin 4x35 -St ISO 13337 | 1.000 | ST |
| 22 | 7.343-007.0 | Locking ring 20x1,2-FST-RF DIN 471 | 1.000 | ST |
| 23 | 5.332-005.0 | Helical spring | 1.000 | ST |
| 24 | 7.303-209.0 | Screw 6x50 -10.9-R2R (K-In6Rd) | 2.000 | ST |
| 25 | 7.306-201.0 | Screw M 6x55-A2-70 (IN6RD) | 2.000 | ST |
| 26 | 5.762-400.0 | Bracket | 1.000 | ST |
| 27 | 5.394-853.0 | Protection part | 1.000 | ST |



14 Hose reel

| POS | Article no. | Description | Quantity | Unit |
|-----|-------------|--------------------------------------|----------|------|
| 1 | 5.776-019.0 | Hose reel left half | 1.000 | ST |
| 2 | 5.044-849.0 | Cage | 2.000 | ST |
| 3 | 5.027-295.0 | Rod | 11.000 | ST |
| 4 | 4.422-103.0 | Pipelines | 1.000 | ST |
| 5 | 6.363-073.3 | O-Ring seal 14x1,78 1XSRH-NBR | 2.000 | ST |
| 6 | 5.427-310.0 | Manifold | 1.000 | ST |
| 7 | 4.037-013.0 | Hook | 1.000 | ST |
| 8 | 6.363-484.0 | O-Ring seal 8 x 2,2 mm HNBR Shore 80 | 2.000 | ST |
| 9 | 7.306-223.0 | Screw M8x12 -A2-70 (In6Rd) | 2.000 | ST |
| 10 | 7.343-018.0 | Locking ring 18x1,2-Rf-St DIN 471 | 1.000 | ST |
| 11 | 6.363-485.0 | O-Ring seal 10x 2 mm HNBR Shore 80 | 1.000 | ST |
| 12 | 5.776-021.0 | Hose reel right half 2 | 1.000 | ST |
| 13 | 7.303-108.0 | Screw 5x20 -10.9-R2R (In6Rd) | 6.000 | ST |
| 14 | 5.776-020.0 | Hose reel right half 1 | 1.000 | ST |
| 15 | 4.251-051.0 | Bearing support completely | 1.000 | ST |
| 16 | 5.251-070.0 | Carrier aussen | 1.000 | ST |
| 17 | 5.251-069.0 | Carrier innen | 1.000 | ST |
| 18 | 5.251-060.0 | Bearing support bottom part | 1.000 | ST |
| 19 | 7.303-118.0 | Screw 5x40 -A2-70 (IN6Rd) | 2.000 | ST |
| 20 | 4.481-263.0 | Crank complete | 1.000 | ST |
| 21 | 7.314-967.0 | Spring pin 4x35 -St ISO 13337 | 1.000 | ST |
| 22 | 7.343-007.0 | Locking ring 20x1,2-FST-RF DIN 471 | 1.000 | ST |
| 23 | 5.332-005.0 | Helical spring | 1.000 | ST |
| 24 | 7.303-209.0 | Screw 6x50 -10.9-R2R (K-In6Rd) | 2.000 | ST |
| 25 | 7.306-201.0 | Screw M 6x55-A2-70 (IN6RD) | 2.000 | ST |
| 26 | 5.762-400.0 | Bracket | 1.000 | ST |
| 27 | 5.394-853.0 | Protection part | 1.000 | ST |

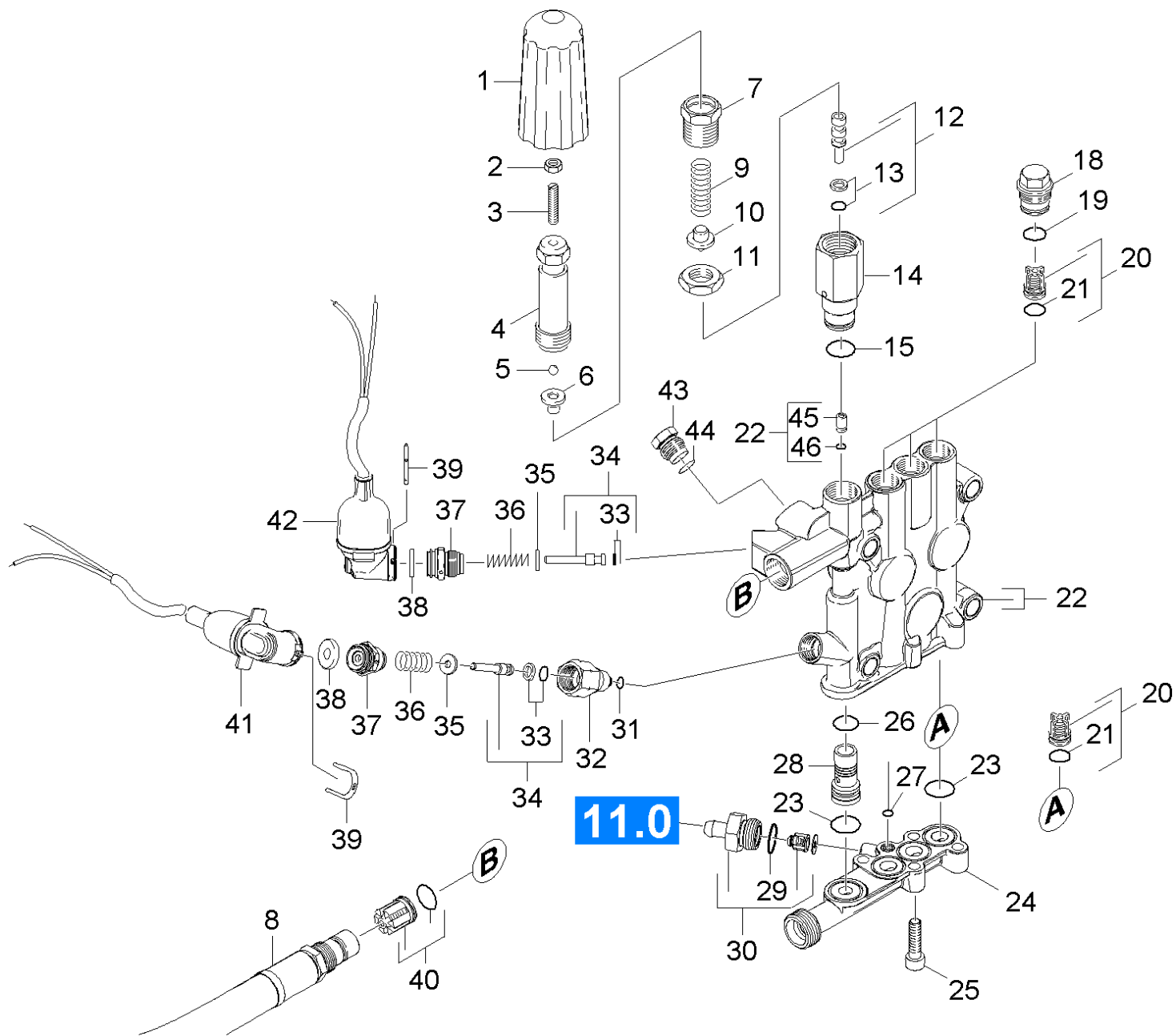


20 Crank complete (4.481-263.0)

| POS | Article no. | Description | Quantity | Unit |
|------------|--------------------|------------------------------------|-----------------|-------------|
| 5 | 7.343-007.0 | Locking ring 20x1,2-FST-RF DIN 471 | 1.000 | ST |
| 6 | 5.332-005.0 | Helical spring | 1.000 | ST |
| 7 | 7.314-967.0 | Spring pin 4x35 -St ISO 13337 | 1.000 | ST |

20 Pump set

| POS | Description | Quantity | Unit |
|------------|--------------------|-----------------|-------------|
| 21 | Cylinder head | 1.000 | ST |
| 22 | Piston | 1.000 | ST |

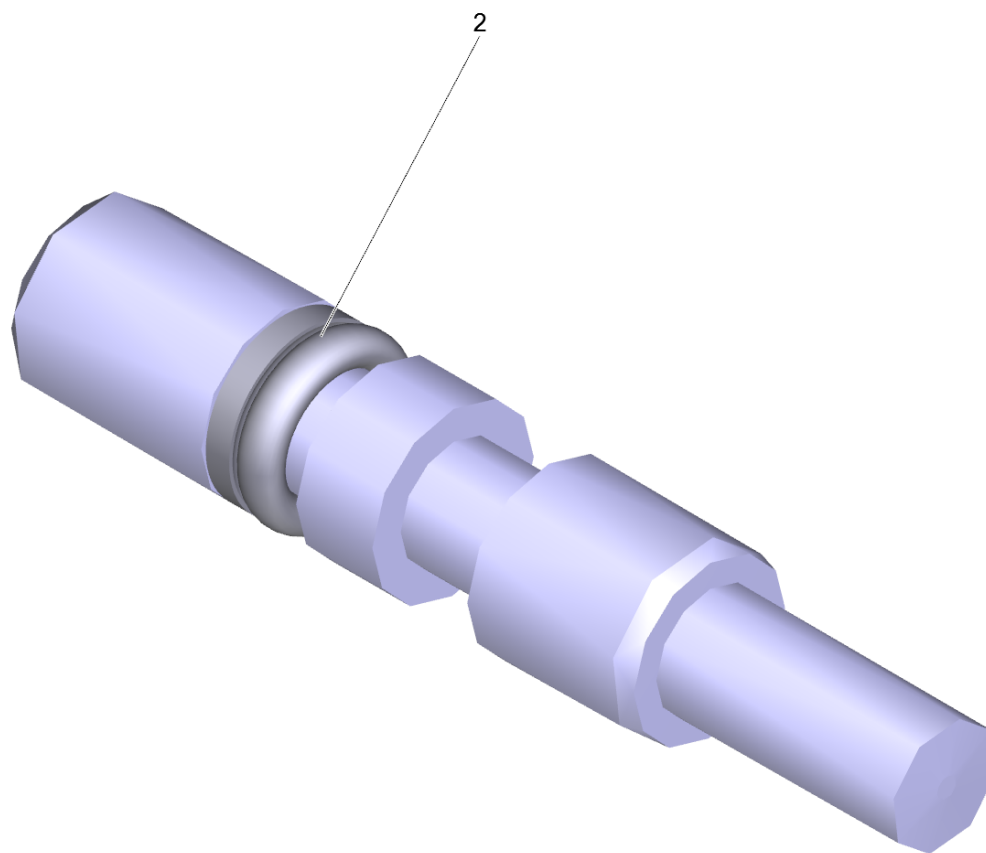


21 Cylinder head

| POS | Article no. | Description | Quantity | Unit |
|-----|-------------|---|----------|------|
| 1 | 5.321-579.0 | Handle | 1.000 | ST |
| 2 | 7.311-002.0 | Hexagon nut M5 -6-A2E ISO 4032 | 1.000 | ST |
| 3 | 7.307-017.0 | Threaded pin M5x40 -St-45H-A2E ISO 4026 | 1.000 | ST |
| 4 | 5.304-070.0 | Hexagonal head screw | 1.000 | ST |
| 5 | 7.401-931.0 | Sphere 5 KI3 -1.4401 DIN 5401 | 1.000 | ST |
| 6 | 5.582-121.0 | Valve disc | 1.000 | ST |
| 7 | 5.404-082.0 | Hollow screw | 1.000 | ST |
| 8 | 6.391-629.0 | High pressure hose DN 13 | 1.000 | ST |
| 9 | 5.332-444.0 | Helical spring | 1.000 | ST |
| 10 | 5.584-114.0 | Valve pin | 1.000 | ST |
| 11 | 5.311-204.0 | Hexagon nut M22x1,5 | 1.000 | ST |
| 12 | 4.553-287.0 | Piston complete | 1.000 | ST |
| 13 | 6.362-468.0 | O-Ring seal complete 1ST.-R. | 1.000 | ST |
| 14 | 5.402-746.0 | Connection piece | 1.000 | ST |
| 15 | 6.362-427.0 | O-Ring seal 15,0x2,0 | 1.000 | ST |
| 18 | 5.583-146.3 | Valve screw | 3.000 | ST |
| 19 | 6.362-481.0 | O-Ring seal 14,0 x 2,0 NBR 80 | 3.000 | ST |
| 20 | 2.884-512.0 | Valve (3 Stueck) | 2.000 | ST |
| 21 | 6.363-003.0 | O-Ring seal 13,0 X 2,0-NBR 90 | 6.000 | ST |
| 22 | 4.550-886.0 | Cylinder head complete | 1.000 | ST |
| 23 | 6.363-536.0 | O-Ring seal 21x1,5 | 4.000 | ST |
| 24 | 5.427-418.0 | Manifold water intake | 1.000 | ST |
| 25 | 7.306-043.0 | Cylinder head screw M8x30 -8.8-A2E ISO | 4.000 | ST |
| 26 | 6.362-381.0 | O-Ring seal 13x2 - NBR 70 | 1.000 | ST |
| 27 | 6.362-703.0 | O-Ring seal 6,0x1,5-NBR 70 | 1.000 | ST |
| 28 | 5.110-865.0 | Sleeve | 1.000 | ST |
| 29 | 6.362-427.0 | O-Ring seal 15,0x2,0 | 1.000 | ST |
| 30 | 4.580-581.3 | Valve complete | 1.000 | ST |
| 31 | 6.362-853.0 | O-Ring seal 4,47x1,78 | 1.000 | ST |
| 32 | 5.402-705.3 | Joining piece | 1.000 | ST |
| 33 | 6.363-037.0 | O-Ring seal complete 1ST.-R. | 2.000 | ST |
| 34 | 4.553-197.0 | Piston complete only for replacement | 2.000 | ST |
| 35 | 5.115-796.0 | Washer | 2.000 | ST |

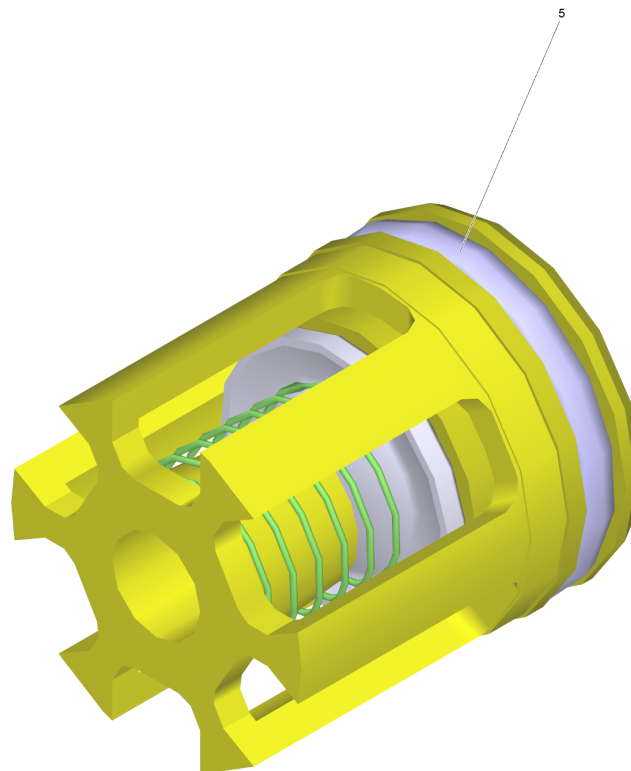
21 Cylinder head

| POS | Article no. | Description | Quantity | Unit |
|-----|-------------|------------------------------|----------|------|
| 36 | 5.332-268.0 | Helical spring | 2.000 | ST |
| 37 | 5.411-148.0 | Screw plug | 2.000 | ST |
| 38 | 5.367-030.0 | Diaphragm | 2.000 | ST |
| 39 | 5.034-494.0 | Retaining bracket | 2.000 | ST |
| 40 | 4.580-594.0 | Valve complete | 1.000 | ST |
| 41 | 4.744-225.3 | Switch complete | 1.000 | ST |
| 42 | 4.744-224.0 | Switch complete | 1.000 | ST |
| 43 | 5.411-504.0 | Screw plug | 1.000 | ST |
| 44 | 6.362-176.0 | O-Ring seal 6,07x1,78 | 1.000 | ST |
| 45 | 5.581-239.0 | Valve seat | 1.000 | ST |
| 46 | 6.362-386.0 | O-Ring seal 5,0 x 1,5-NBR 80 | 1.000 | ST |
| 100 | 2.885-034.0 | Spare part set pump | 1.000 | ST |



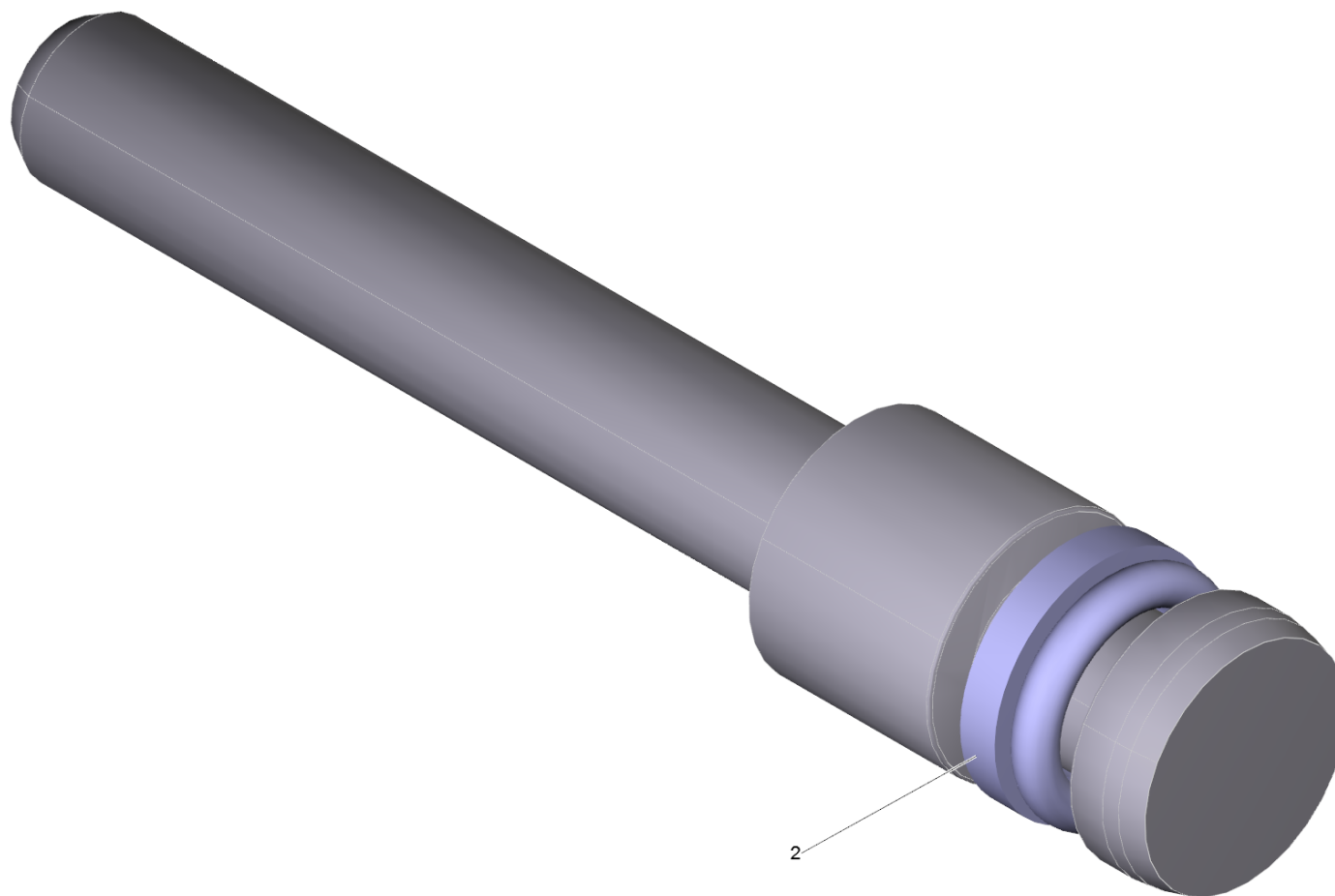
12 Piston complete (4.553-287.0)

| POS | Article no. | Description | Quantity | Unit |
|------------|--------------------|------------------------------|-----------------|-------------|
| 2 | 6.362-468.0 | O-Ring seal complete 1ST.-R. | 1.000 | ST |



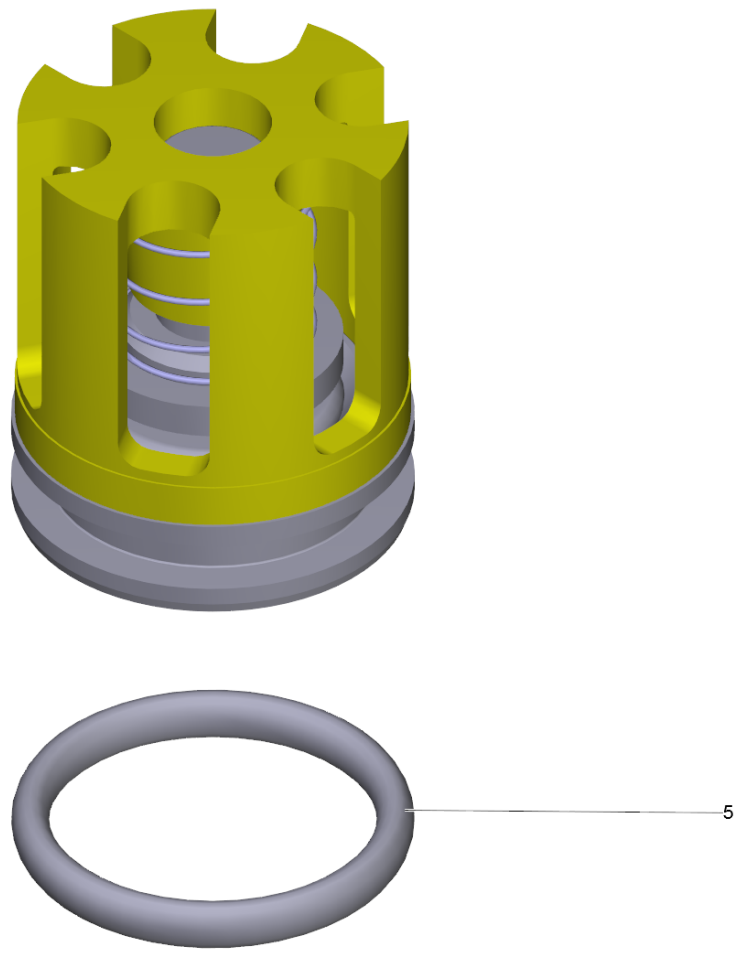
20 Valve (3 Stueck) (2.884-512.0)

| POS | Article no. | Description | Quantity | Unit |
|-----|-------------|-------------------------------|----------|------|
| 5 | 6.363-003.0 | O-Ring seal 13,0 X 2,0-NBR 90 | 1.000 | ST |



34 Piston complete only for replacement (4.553-197.0)

| POS | Article no. | Description | Quantity | Unit |
|------------|--------------------|------------------------------|-----------------|-------------|
| 2 | 6.363-037.0 | O-Ring seal complete 1ST.-R. | 1.000 | ST |

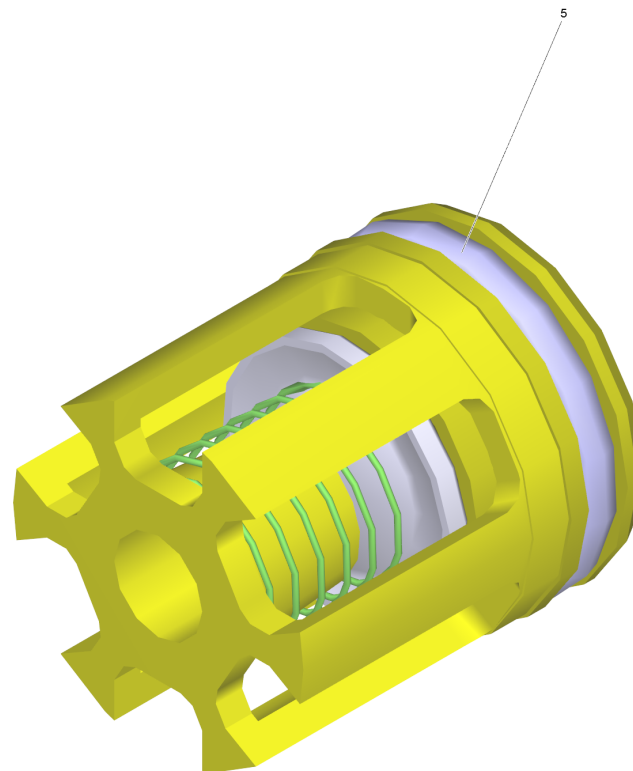


40 Valve complete (4.580-594.0)

| POS | Article no. | Description | Quantity | Unit |
|-----|-------------|---------------------------|----------|------|
| 5 | 6.362-381.0 | O-Ring seal 13x2 - NBR 70 | 1.000 | ST |

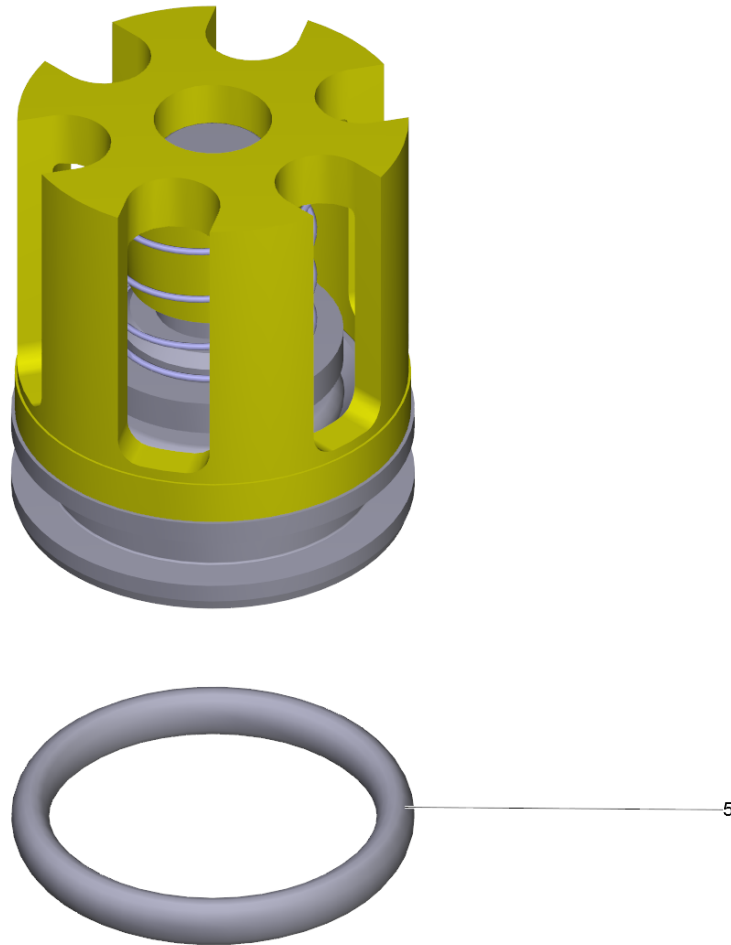
100 Spare part set pump (2.885-034.0)

| POS | Article no. | Description | Quantity | Unit |
|-----|-------------|-------------------------------|----------|------|
| 1 | 2.884-512.0 | Valve (3 Stueck) | 2.000 | ST |
| 2 | 4.580-581.3 | Valve complete | 1.000 | ST |
| 3 | 4.580-594.0 | Valve complete | 1.000 | ST |
| 4 | 5.034-494.0 | Retaining bracket | 2.000 | ST |
| 5 | 5.115-537.0 | Washer | 3.000 | ST |
| 6 | 5.115-538.0 | Washer | 3.000 | ST |
| 7 | 5.115-796.0 | Washer | 2.000 | ST |
| 8 | 6.362-092.0 | O-Ring seal 36,0 X 2,0-NBR 70 | 3.000 | ST |
| 9 | 6.362-427.0 | O-Ring seal 15,0x2,0 | 1.000 | ST |
| 10 | 6.362-468.0 | O-Ring seal complete 1ST.-R. | 1.000 | ST |
| 11 | 6.362-481.0 | O-Ring seal 14,0 x 2,0 NBR 80 | 3.000 | ST |
| 12 | 6.362-547.0 | O-Ring seal 20,0x1,5-NBR 70 | 4.000 | ST |
| 13 | 6.365-053.0 | Compact seal 20X30X6 | 3.000 | ST |
| 14 | 6.365-377.0 | Grooved ring 20x30x6 | 3.000 | ST |
| 15 | 6.365-378.0 | Supportring 20x30x4,2 | 3.000 | ST |



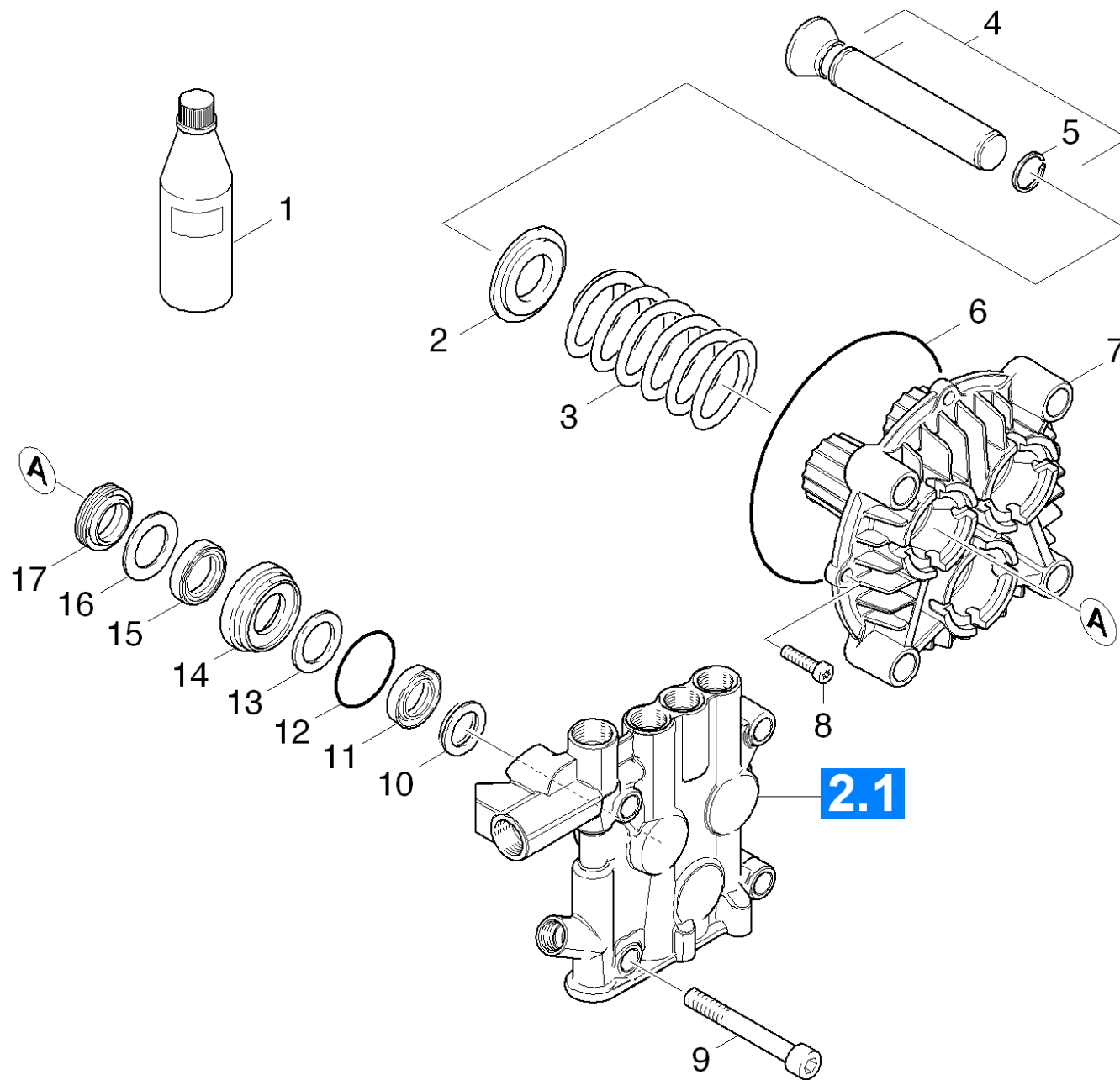
1 Valve (3 Stueck) (2.884-512.0)

| POS | Article no. | Description | Quantity | Unit |
|-----|-------------|-------------------------------|----------|------|
| 5 | 6.363-003.0 | O-Ring seal 13,0 X 2,0-NBR 90 | 1.000 | ST |



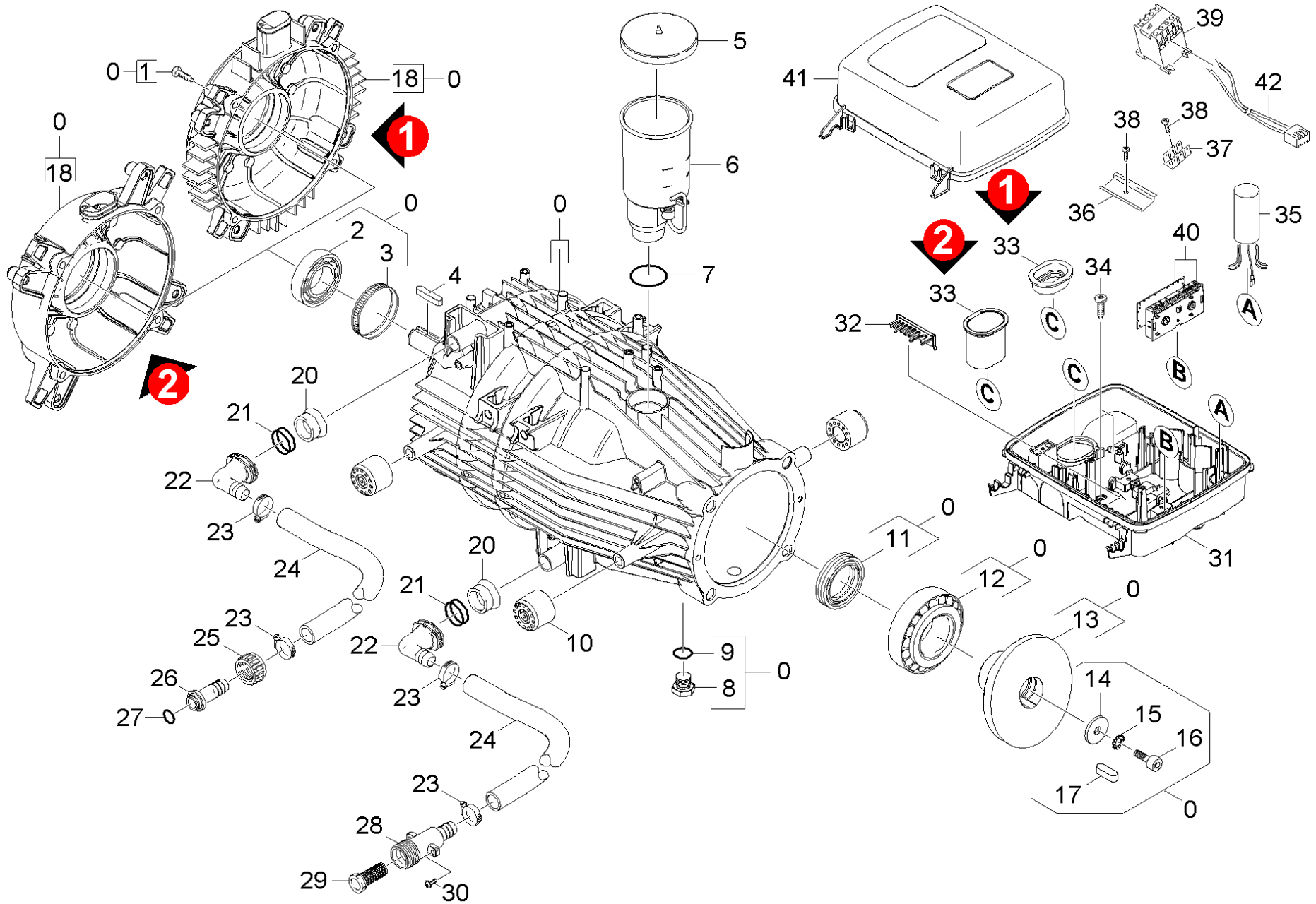
3 Valve complete (4.580-594.0)

| POS | Article no. | Description | Quantity | Unit |
|-----|-------------|---------------------------|----------|------|
| 5 | 6.362-381.0 | O-Ring seal 13x2 - NBR 70 | 1.000 | ST |



22 Piston

| POS | Article no. | Description | Quantity | Unit |
|-----|-------------|---|----------|------|
| 1 | 6.288-016.0 | Gear oil 1L | 1.000 | ST |
| 2 | 5.115-991.0 | Washer | 3.000 | ST |
| 3 | 5.332-187.0 | Helical spring | 3.000 | ST |
| 4 | 4.553-282.0 | Piston complete only for replacement | 3.000 | ST |
| 5 | 6.472-331.0 | Snap ring 20 | 3.000 | ST |
| 6 | 6.363-228.0 | O-Ring seal 114 x 3 | 1.000 | ST |
| 7 | 5.060-936.3 | Thrust guidance D 20 | 1.000 | ST |
| 8 | 7.306-105.0 | Screw M6x30 -8.8-R3R (In6Rd) | 2.000 | ST |
| 9 | 7.306-155.0 | Cylinder head screw M12x100 -8.8-A3E IS | 4.000 | ST |
| 10 | 6.365-378.0 | Supportring 20x30x4,2 | 3.000 | ST |
| 11 | 6.365-377.0 | Grooved ring 20x30x6 | 3.000 | ST |
| 12 | 6.362-092.0 | O-Ring seal 36,0 X 2,0-NBR 70 | 3.000 | ST |
| 13 | 5.115-538.0 | Washer | 3.000 | ST |
| 14 | 5.112-832.0 | Bush | 3.000 | ST |
| 15 | 6.365-053.0 | Compact seal 20X30X6 | 3.000 | ST |
| 16 | 5.115-537.0 | Washer | 3.000 | ST |
| 17 | 6.365-052.0 | Grooved ring 20X28X6/8 | 3.000 | ST |

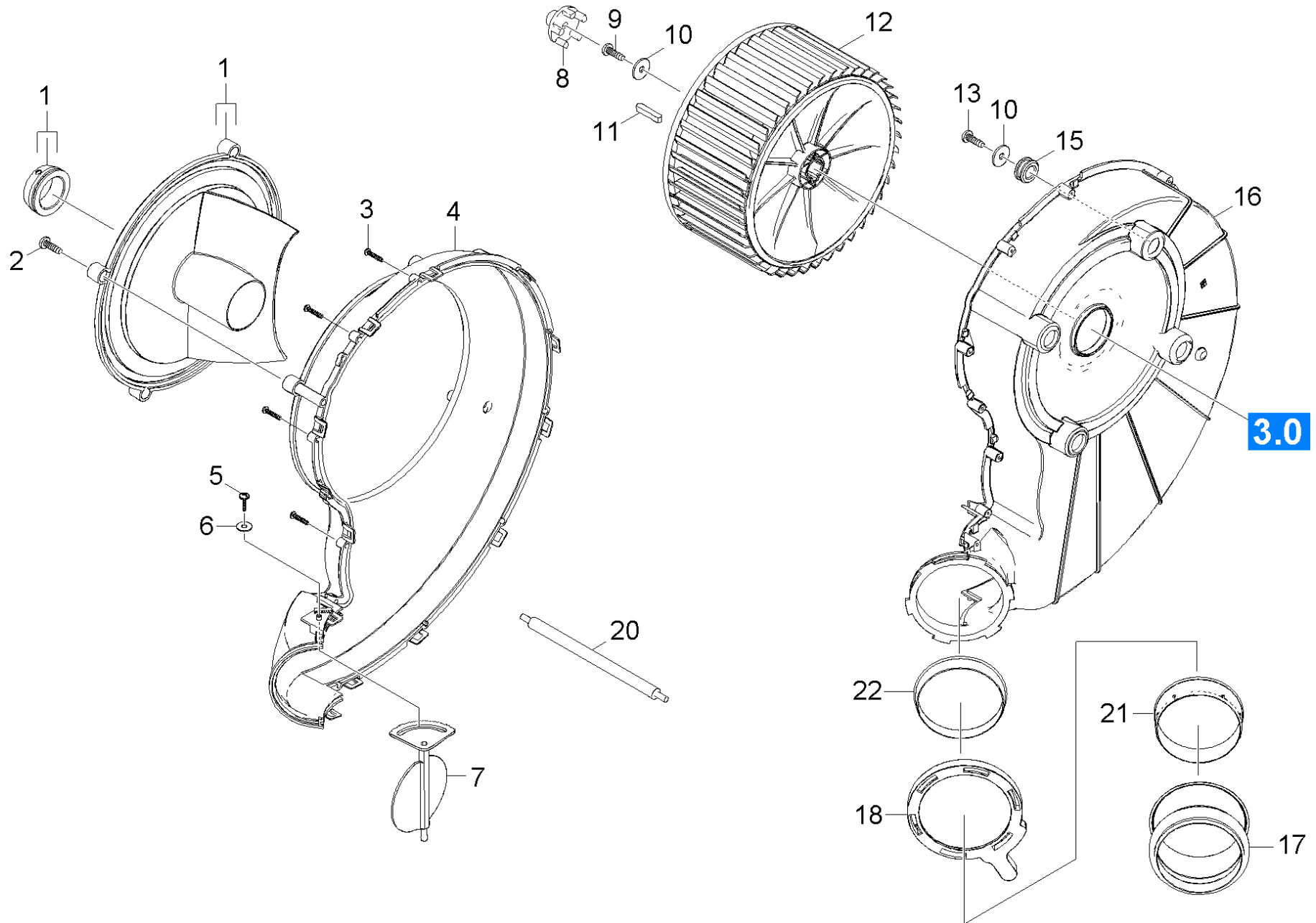


30 Motor

| POS | Article no. | Description | Quantity | Unit | Remark | Foot note text |
|-----|-------------|---|----------|------|-----------|-----------------------|
| 0 | 4.623-923.0 | Motor complete only for replacement | 1.000 | ST | | |
| 1 | 6.303-515.0 | Self-tapping screw M6x25 | 4.000 | ST | | |
| 2 | 6.401-253.0 | Ball bearing 6305-2Z | 1.000 | ST | | |
| 3 | 6.343-010.0 | Tolerance ring 62x10 | 1.000 | ST | | |
| 4 | 7.318-111.0 | Parallel key A 6x6x36 -C45K DIN 6885-1 | 2.000 | ST | | |
| 5 | 5.063-189.0 | Cover | 1.000 | ST | | |
| 6 | 4.070-904.0 | Tank only for replacement | 1.000 | ST | | |
| 7 | 6.362-722.0 | O-Ring seal 28,0 X 3,0 | 1.000 | ST | | |
| 8 | 5.411-100.0 | Screw plug | 1.000 | ST | | |
| 9 | 6.362-458.0 | O-Ring seal 11,0x2,0-NBR 70 | 1.000 | ST | | |
| 10 | 5.767-005.0 | Rubber buffer | 4.000 | ST | | |
| 11 | 7.367-009.0 | Radial shaft seal ring A35x52x7-NBR DIN | 1.000 | ST | | |
| 12 | 6.401-225.3 | Taper roller bearing 41 | 1.000 | ST | | |
| 13 | 5.120-402.0 | Wobble plate | 1.000 | ST | | |
| 14 | 5.115-565.0 | Washer | 1.000 | ST | | |
| 15 | 7.312-159.0 | Toothed lock washer A8,4-FST-PH DIN 679 | 1.000 | ST | | |
| 16 | 7.306-041.0 | Cylinder head screw M8x20 -8.8-A2E ISO | 1.000 | ST | | |
| 17 | 7.318-035.0 | Parallel key 8x7x25 -C45K DIN 6885-1 | 1.000 | ST | | |
| 18 | 5.064-006.0 | Bearing cover B | 1.000 | ST | VERSION 1 | |
| 18 | 5.061-186.0 | Bearing cover B | 1.000 | ST | VERSION 2 | |
| 20 | 5.110-341.0 | Sleeve | 2.000 | ST | | |
| 21 | 6.362-579.0 | O-Ring seal 17,5 X 3,5 | 4.000 | ST | | |
| 22 | 5.427-415.0 | Manifold | 2.000 | ST | | |
| 23 | 7.373-022.0 | Hose clip A-16-27x9 -W2-2 DIN3017 | 4.000 | ST | | |
| 24 | 6.390-320.0 | Hose DN 16 | 1.000 | M | | TO ORDER AS CUT GOODS |
| 25 | 5.310-061.0 | Nut R 3/4" | 1.000 | ST | | |
| 26 | 5.443-224.0 | Hose stem | 1.000 | ZST | | |
| 27 | 6.362-078.0 | O-Ring seal 13,3x2,4 | 1.000 | ST | | |
| 28 | 5.427-432.0 | Manifold | 1.000 | ST | | |
| 29 | 6.414-141.0 | Strainer | 1.000 | ST | | |

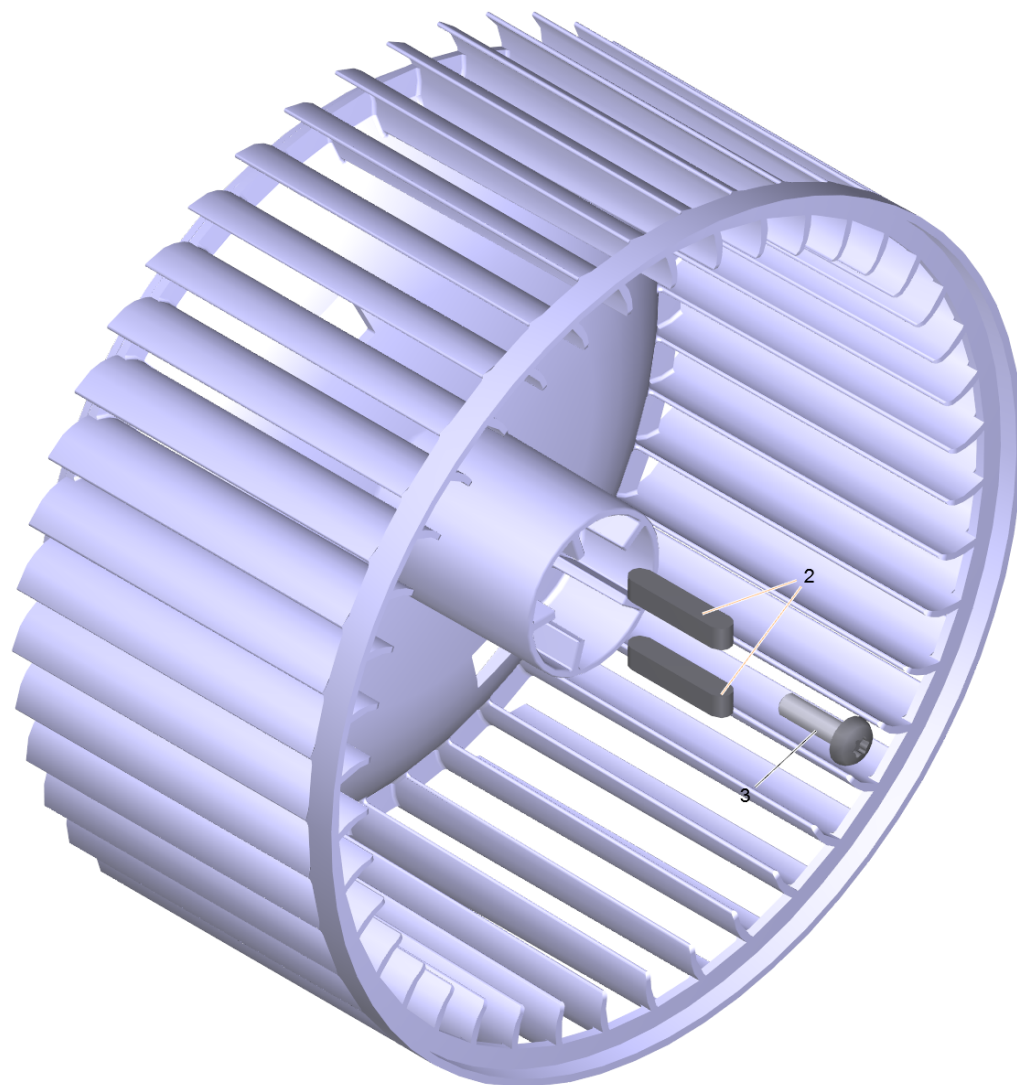
30 Motor

| POS | Article no. | Description | Quantity | Unit | Remark | Foot note text |
|-----|--|-------------------------------------|----------|------|-----------|----------------|
| 30 | 7.303-086.0 | Screw 5x30 -10.9-R2R (K-In6Rd) | 2.000 | ST | | |
| 31 | 5.061-319.0 | Housing electric box | 1.000 | ST | | |
| 32 | 5.263-091.0 | Tensioning part | 1.000 | ST | | |
| | Item text1: 1.071-402.0 /-452.0 | | | | | |
| 32 | 5.263-086.0 | Tensioning part | 1.000 | ST | | |
| | Item text1: 1.071-401.0 /-403.0 /-451.0 /-455.0 | | | | | |
| 33 | 5.365-302.0 | Profile gasket | 1.000 | ST | VERSION 2 | |
| 33 | 5.365-181.0 | Profile gasket | 1.000 | ST | VERSION 1 | |
| 34 | 6.303-153.0 | Screw M5x15-ST-R2R (IN6RD) | 3.000 | ST | | |
| 35 | 6.661-283.0 | Interference suppressor triple-pole | 1.000 | ST | | |
| | Item text1: 1.071-401.0 /-403.0 /-451.0 /-455.0 | | | | | |
| 35 | 4.828-010.0 | Interference suppressor complete | 1.000 | ST | | |
| | Item text1: 1.071-402.0 /-452.0 | | | | | |
| 36 | 5.802-261.0 | Mounting part | 1.000 | ST | | |
| 37 | 6.641-270.0 | Plug | 1.000 | ST | | |
| 38 | 7.303-106.0 | Screw 4x12 -10.9-R2R (IN6RD) | 2.000 | ST | | |
| 39 | 6.632-356.0 | Contacteur LC1-D18 B7 | 1.000 | ST | | |
| | Item text1: 1.071-401.0 /-403.0 /-451.0 /-455.0 | | | | | |
| 39 | 6.632-334.0 | Power contacteur LC1 D32 B7 | 1.000 | ST | | |
| | Item text1: 1.071-402.0 /-452.0 | | | | | |
| 40 | 2.885-054.0 | Frame circuit board complete | 1.000 | ST | | |
| 41 | 5.064-226.0 | Cover electric box | 1.000 | ST | | |
| 42 | 6.649-384.0 | Cable 2x0,35 350mm | 1.000 | ST | | |



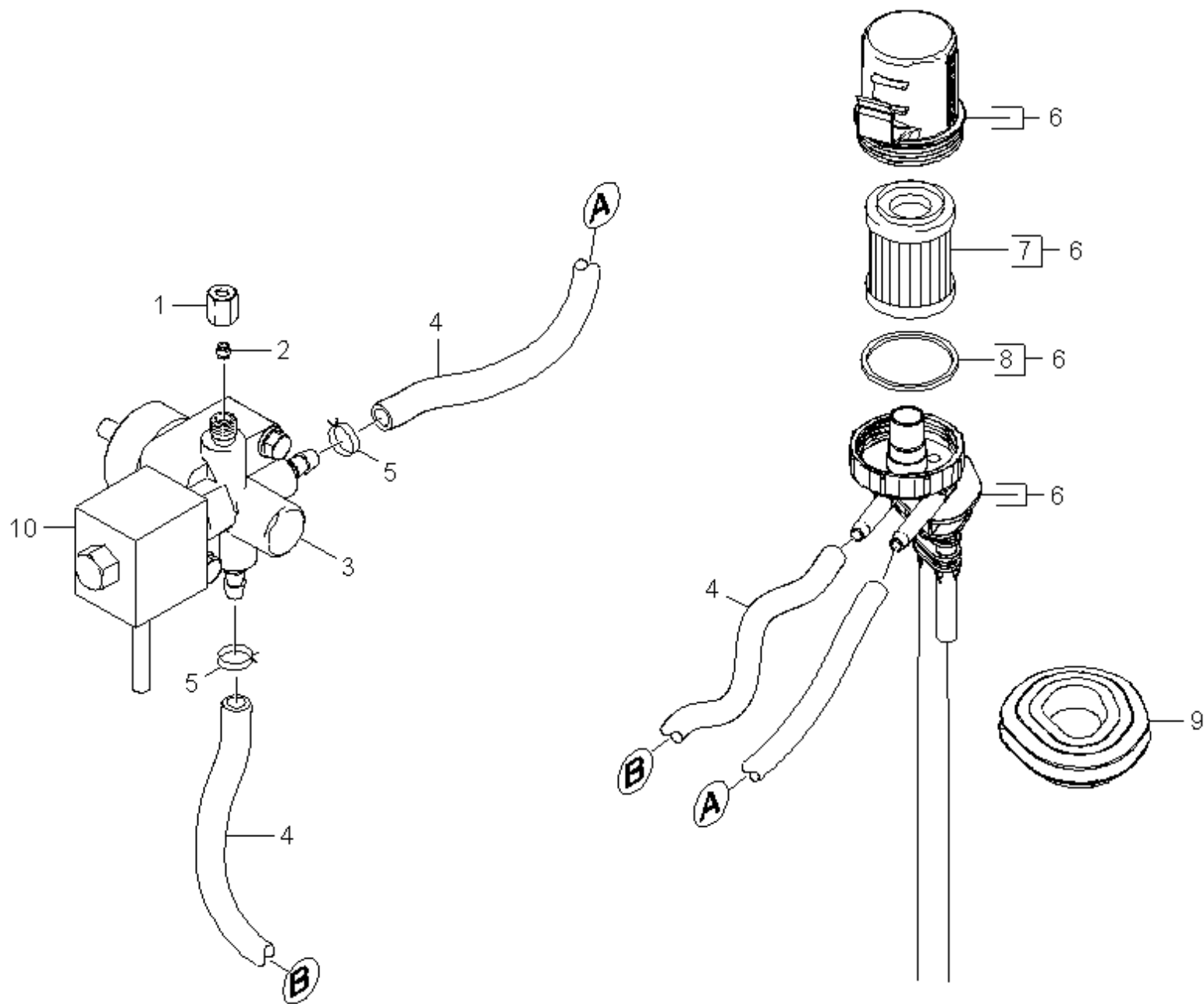
40 Blower

| POS | Article no. | Description | Quantity | Unit |
|-----|-------------|-----------------------------------|----------|------|
| 1 | 5.064-266.0 | Cover blower internal part | 1.000 | ST |
| 2 | 7.303-129.0 | Screw 4x16 -10.9-R2R (K-In6Rd) | 4.000 | ST |
| 3 | 7.303-084.0 | Screw 4x25 -10.9-R2R (K-In6Rd) | 14.000 | ST |
| 4 | 5.064-238.0 | Cover blower | 1.000 | ST |
| 5 | 7.303-107.0 | Screw 5x16 -10.9-P2R (K-In6Rd) | 1.000 | ST |
| 6 | 7.312-278.0 | Washer 5-200HV-A2E ISO7093-1 | 1.000 | ST |
| 7 | 5.606-009.0 | Air flap | 1.000 | ST |
| 8 | 5.471-097.0 | Coupler fuel pump | 1.000 | ST |
| 9 | 6.304-145.0 | Screw M 6X20-R3R (IN6RD) | 1.000 | ST |
| 10 | 7.312-260.0 | Washer 6 -100HV-A3E ISO 7094 | 5.000 | ST |
| 11 | 7.318-032.0 | Parallel key 6x6x32-C45K DIN 6885 | 2.000 | ST |
| 12 | 2.641-430.0 | Conversion kit blower wheel | 1.000 | ST |
| 13 | 7.303-048.0 | Screw M6x20 -St-R3R (In6Rd) | 4.000 | ST |
| 15 | 5.379-019.0 | Rubber ring | 4.000 | ST |
| 16 | 5.605-307.0 | Housing | 1.000 | ST |
| 17 | 5.195-252.0 | Seal air circulation | 1.000 | ST |
| 18 | 5.075-036.0 | Closure | 1.000 | ST |
| 20 | 5.043-056.0 | Holder | 1.000 | ST |
| 21 | 5.263-094.0 | Tensioning part air circulation | 1.000 | ST |
| 22 | 5.263-096.0 | Tensioning part air circulation | 1.000 | ST |



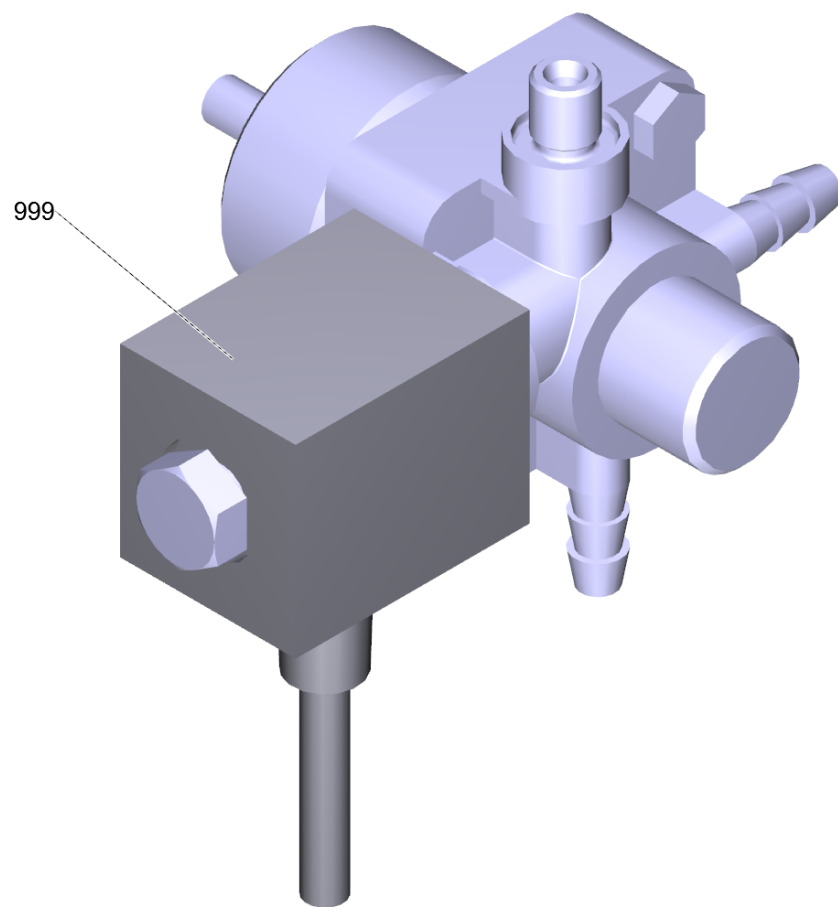
12 Conversion kit blower wheel (2.641-430.0)

| POS | Article no. | Description | Quantity | Unit |
|------------|--------------------|--|-----------------|-------------|
| 2 | 7.318-111.0 | Parallel key A 6x6x36 -C45K DIN 6885-1 | 2.000 | ST |
| 3 | 6.304-145.0 | Screw M 6X20-R3R (IN6RD) | 1.000 | ST |



50 Fuel pump

| POS | Article no. | Description | Quantity | Unit | Foot note text |
|-----|-------------|--------------------------------|----------|------|-----------------------|
| 1 | 6.389-262.0 | Union nut A 4-LL | 1.000 | ST | |
| 2 | 6.389-263.0 | Cutting ring d.4 | 1.000 | ST | |
| 3 | 4.473-032.0 | Fuel pump only for replacement | 1.000 | ST | |
| 4 | 6.391-820.0 | Hose | 1.000 | M | TO ORDER AS CUT GOODS |
| 5 | 6.388-559.0 | Hose clip | 2.000 | ST | |
| 6 | 4.730-167.3 | Filter complete | 1.000 | ST | |
| 7 | 6.414-559.0 | Filter fuel | 1.000 | ST | |
| 8 | 5.363-629.0 | Seal | 1.000 | ST | |
| 9 | 5.365-290.0 | Rubber bushing fuel | 1.000 | ST | |
| 10 | 6.473-554.0 | Coil Brennstoffpumpe | 1.000 | ST | |

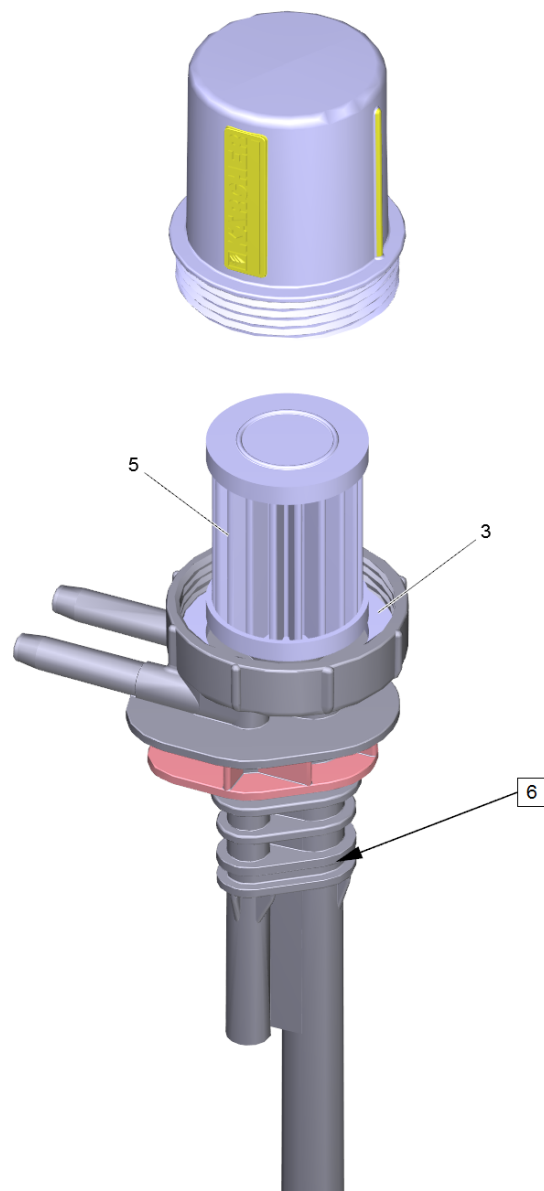


3 Fuel pump only for replacement (4.473-032.0)

| POS | Article no. | Description | Quantity | Unit |
|------------|--------------------|----------------------|-----------------|-------------|
| 999 | 6.473-554.0 | Coil Brennstoffpumpe | 1.000 | ST |

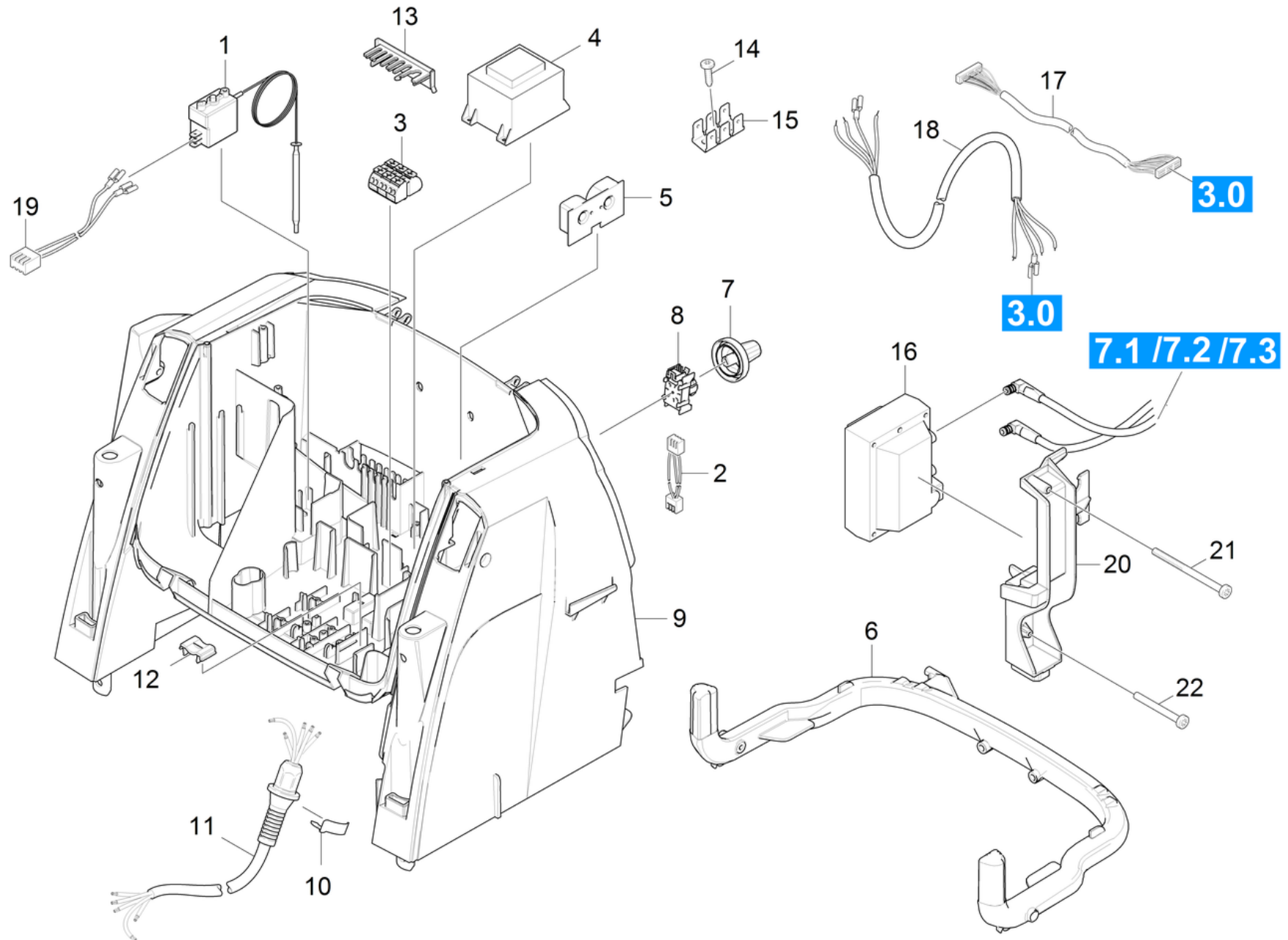
6 Filter complete (4.730-167.3)

| POS | Article no. | Description | Quantity | Unit |
|------------|--------------------|--------------------|-----------------|-------------|
| 1 | 4.730-167.0 | Filter complete | 1.000 | ST |



1 Filter complete (4.730-167.0)

| POS | Article no. | Description | Quantity | Unit |
|------------|--------------------|------------------------|-----------------|-------------|
| 3 | 5.363-629.0 | Seal | 1.000 | ST |
| 5 | 6.414-559.0 | Filter fuel | 1.000 | ST |
| 6 | 6.362-079.0 | O-Ring seal 18,0 X 2,5 | 1.000 | ST |

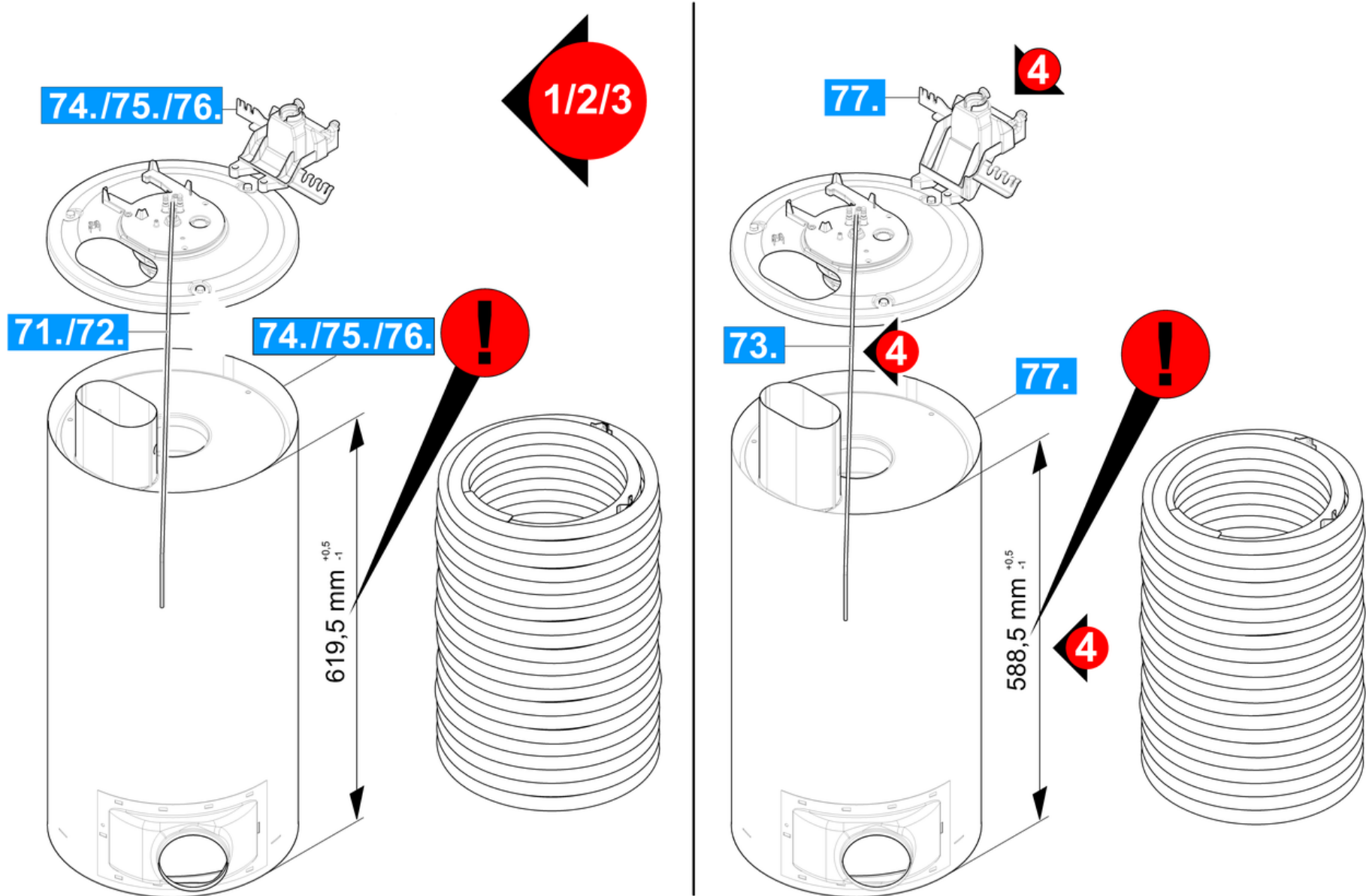


60 Electric control box

| POS | Article no. | Description | Quantity | Unit |
|-----|--|--------------------------------------|----------|------|
| 1 | 4.686-029.0 | Thermostat only for replacement | 1.000 | ST |
| 2 | 5.820-088.0 | Cable | 1.000 | ST |
| 3 | 6.644-364.0 | Terminal clamp four-core triple-pole | 1.000 | ST |
| 4 | 4.622-015.0 | Control transformer -nur für Ersatz- | 1.000 | ST |
| | Item text1: 1.071-402.0 /-452.0 | | | |
| 4 | 6.622-283.3 | Control transformer | 1.000 | ST |
| | Item text1: 1.071-401.0 /-403.0 /-451.0 /-455.0 | | | |
| 5 | 6.682-881.0 | Circuit board current transformer | 1.000 | ST |
| 6 | 5.033-111.0 | Profile | 1.000 | ST |
| 7 | 5.324-172.0 | Handle qusty grey RAL 7037 | 1.000 | ST |
| 8 | 6.630-423.0 | Switch service | 1.000 | ST |
| 9 | 5.801-141.0 | Mounting plate | 1.000 | ST |
| | Item text1: 1.071-451.0 /-452.0 /-455.0 | | | |
| 9 | 5.801-140.0 | Mounting plate | 1.000 | ST |
| | Item text1: 1.071-401.0 /-402.0 /-403.0 | | | |
| 10 | 6.343-186.0 | Locking ring | 1.000 | ST |
| 11 | 6.649-614.0 | Cable complete 4x2,5mm ² | 1.000 | ST |
| | Item text1: 1.071-452.0 | | | |
| 11 | 6.649-611.0 | Cable complete 4x1,5mm ² | 1.000 | ST |
| | Item text1: 1.071-403.0 | | | |
| 11 | 6.649-380.0 | Cable with plug 4x2,5mm ² | 1.000 | ST |
| | Item text1: 1.071-402.0 | | | |
| 11 | 6.649-379.3 | Cable with plug 4x1,5mm ² | 1.000 | ST |
| | Item text1: 1.071-401.0 /-451.0 /-455.0 | | | |
| 12 | 5.802-307.0 | Holder cable | 1.000 | ST |
| 13 | 5.263-091.0 | Tensioning part | 1.000 | ST |
| | Item text1: 1.071-402.0 /-452.0 | | | |
| 13 | 5.263-086.0 | Tensioning part | 1.000 | ST |
| | Item text1: 1.071-401.0 /-403.0 /-451.0 /-455.0 | | | |
| 14 | 7.303-106.0 | Screw 4x12 -10.9-R2R (IN6RD) | 1.000 | ST |
| 15 | 6.641-270.0 | Plug | 1.000 | ST |
| 16 | 6.622-286.0 | Ignition transformer -230V, 50Hz | 1.000 | ST |
| | Item text1: 1.071-402.0 /-452.0 | | | |

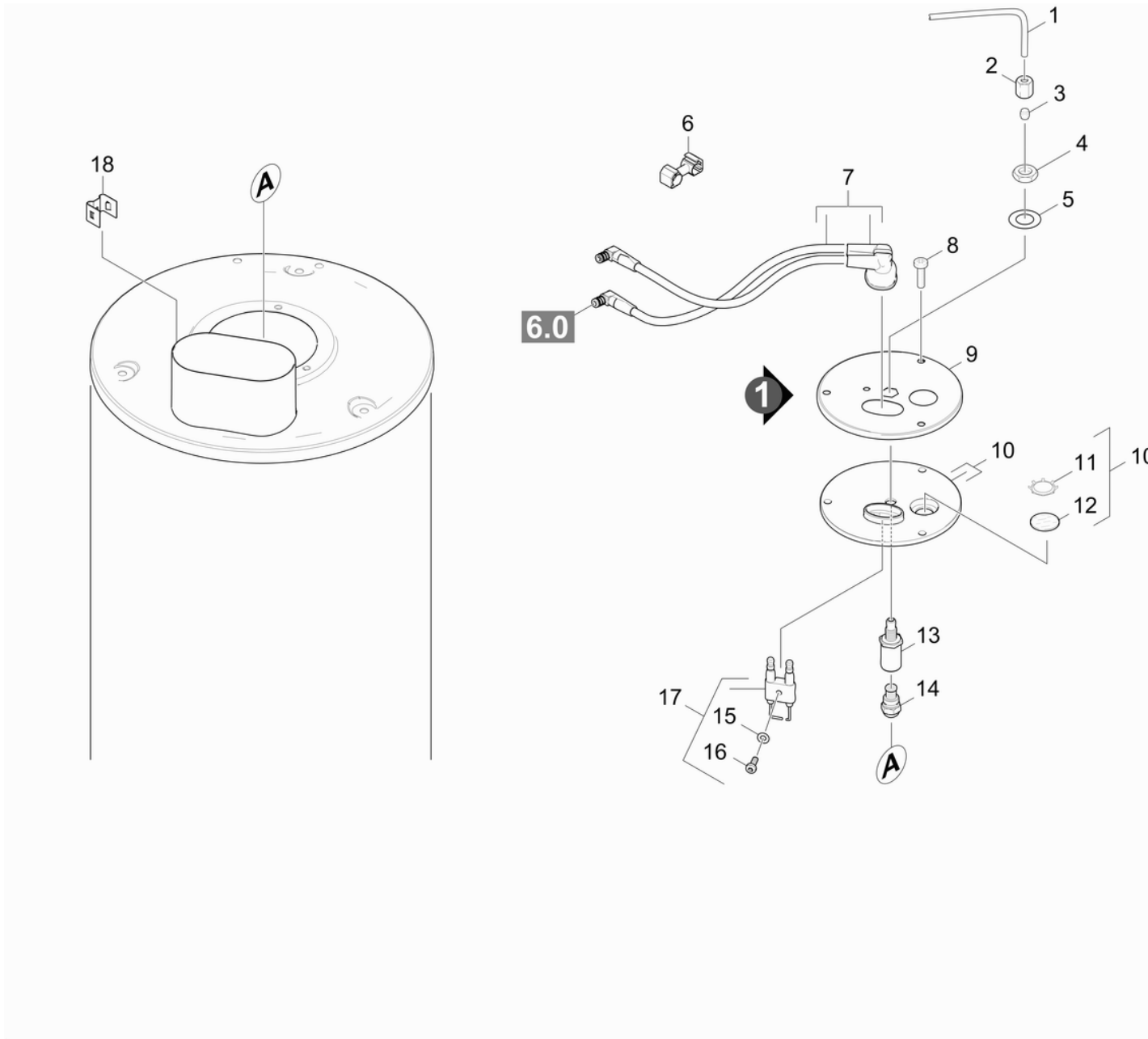
60 Electric control box

| POS | Article no. | Description | Quantity | Unit |
|-----|--|--|----------|------|
| 16 | 6.622-275.0 | Ignition transformer -400V, 50 Hz | 1.000 | ST |
| | Item text1: 1.071-401.0 /-403.0 /-451.0 /-455.0 | | | |
| 17 | 2.885-110.0 | Control cable complete only for replacem | 1.000 | ST |
| 18 | 6.649-387.0 | Cable 4x2,5 | 1.000 | ST |
| | Item text1: 1.071-402.0 /-452.0 | | | |
| 18 | 6.649-340.0 | Cable 4x1,5 | 1.000 | ST |
| | Item text1: 1.071-401.0 /-403.0 /-451.0 /-455.0 | | | |
| 19 | 6.649-383.0 | Cable 2x0,35 700mm | 1.000 | ST |
| 20 | 5.424-140.0 | Fixing | 1.000 | ST |
| 21 | 7.303-330.0 | Screw 5x85-10.9-ZFBHL (In6Rd) | 1.000 | ST |
| 22 | 7.303-234.0 | Screw 5x60 -10.9-A2K (K-In6Rd) | 1.000 | ST |



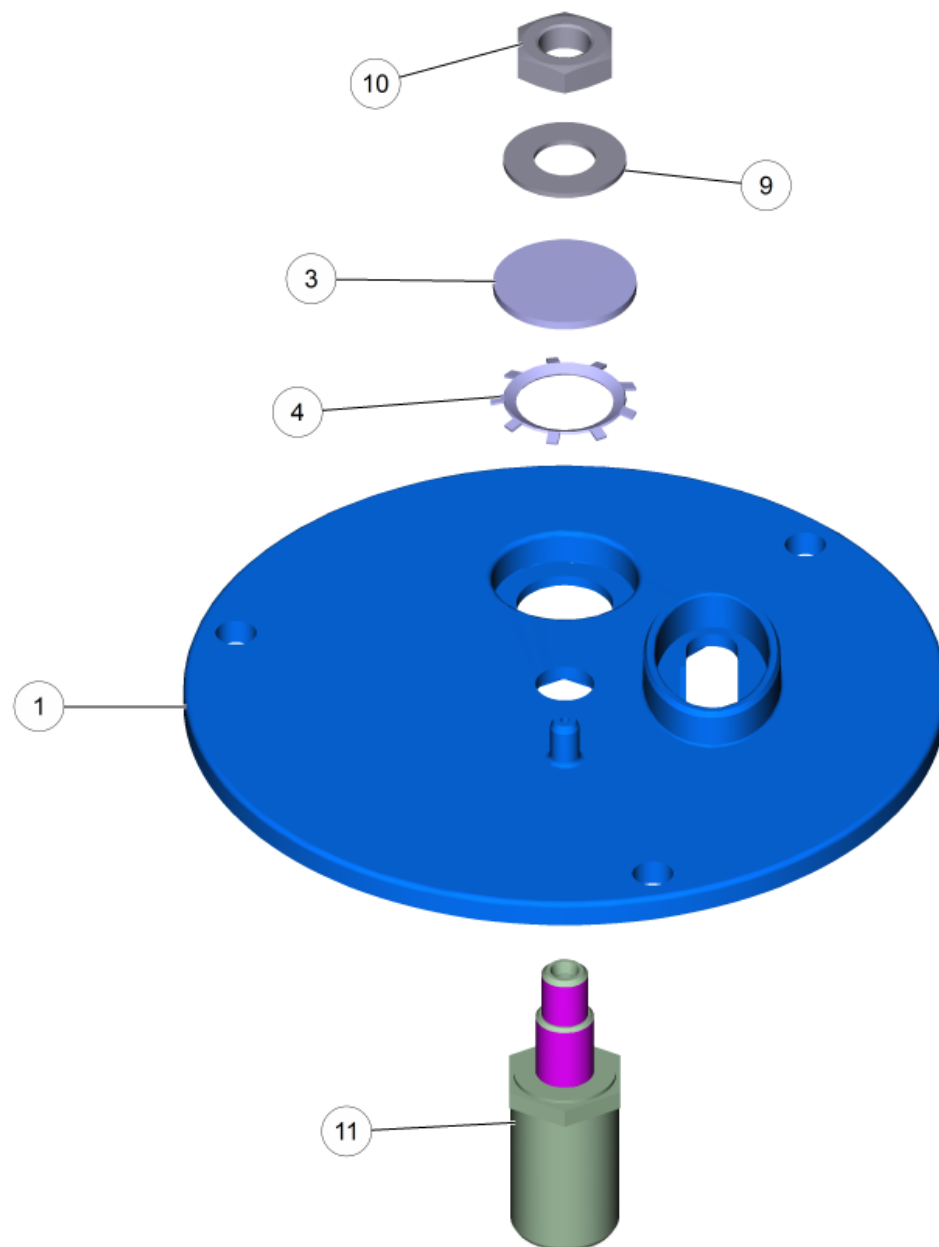
70 Flow heater

| POS | Description | Quantity | Unit | Remark |
|------------|--------------------|-----------------|-------------|---------------|
| 71 | Burner cover | 1.000 | ST | VERSION 1 |
| 72 | Burner cover | 1.000 | ST | VERSION 2 |
| 73 | Burner cover | 1.000 | ST | VERSION 4 |
| 74 | Heating coil | 1.000 | ST | VERSION 1 |
| 75 | Heating coil | 1.000 | ST | VERSION 2 |
| 76 | Heating coil | 1.000 | ST | VERSION 3 |
| 77 | Heating coil | 1.000 | ST | VERSION 4 |
| 78 | Burner bottom | 1.000 | ST | |



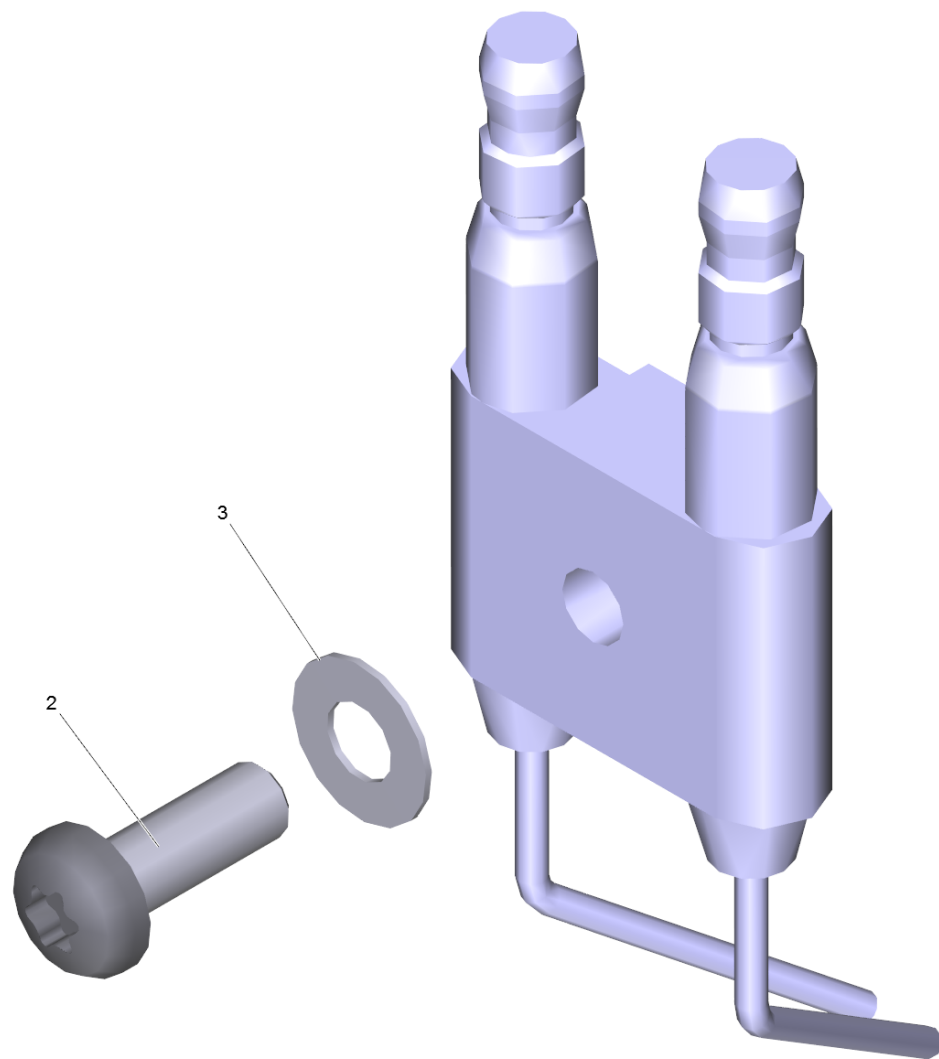
71 Burner cover

| POS | Article no. | Description | Quantity | Unit |
|-----|-------------|------------------------------------|----------|------|
| 1 | 5.423-347.0 | Conduit fuel | 1.000 | ST |
| 2 | 6.389-262.0 | Union nut A 4-LL | 1.000 | ST |
| 3 | 6.389-263.0 | Cutting ring d.4 | 1.000 | ST |
| 4 | 7.311-101.0 | Hexagon nut M10x1 -04-A2E ISO 8675 | 1.000 | ST |
| 5 | 7.312-302.0 | Spring washer B10-FST-A2E DIN 137 | 1.000 | ST |
| 6 | 6.647-527.0 | Holder | 1.000 | ST |
| 7 | 4.821-100.0 | Ignition cable complete | 1.000 | ST |
| 8 | 7.303-038.0 | Screw M5x12 -St-P2R (In6Rd) | 3.000 | ST |
| 9 | 5.654-059.0 | Cover pressure boiler | 1.000 | ST |
| 10 | 4.654-218.0 | Cover pressure boiler | 1.000 | ST |
| 11 | 6.343-165.0 | Serrated ring | 1.000 | ST |
| 12 | 6.278-018.0 | Glass pane | 1.000 | ST |
| 13 | 5.667-055.0 | Nozzle holder | 1.000 | ST |
| 14 | 6.415-641.0 | Nozzle | 1.000 | ST |
| 15 | 7.312-304.0 | Spring washer B 5-FST-A2E DIN 137 | 1.000 | ST |
| 16 | 7.306-217.0 | Screw M5x14 -8.8-R2R (In6Rd) | 1.000 | ST |
| 17 | 2.638-974.0 | Conversion kit ignition electrode | 1.000 | ST |
| 18 | 5.034-834.0 | Holder probe | 1.000 | ST |



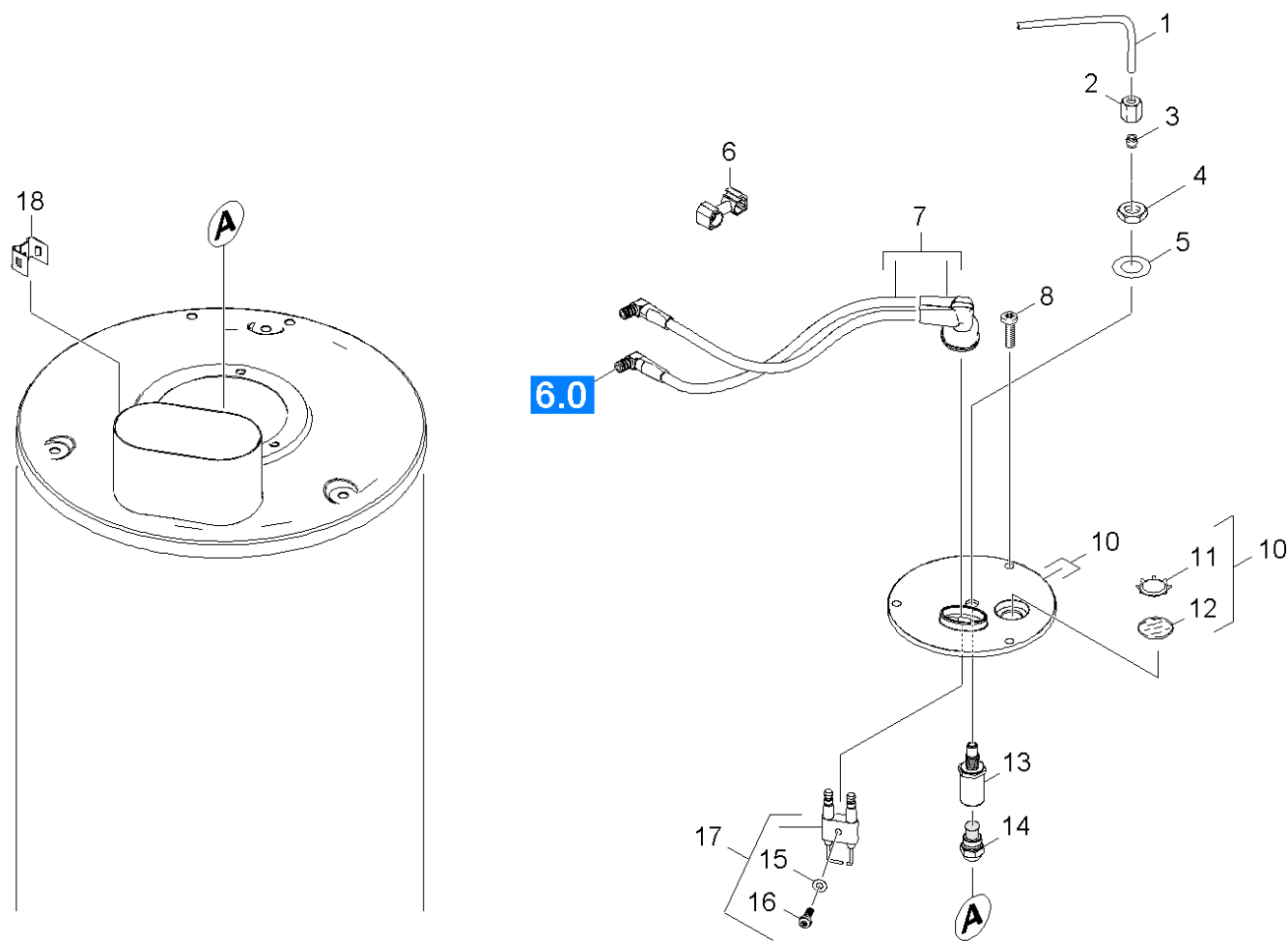
10 Cover pressure boiler (4.654-218.0)

| POS | Article no. | Description | Quantity | Unit |
|------------|--------------------|------------------------------------|-----------------|-------------|
| 1 | 5.662-022.0 | Burner cover | 1.000 | ST |
| 3 | 6.278-018.0 | Glass pane | 1.000 | ST |
| 4 | 6.343-165.0 | Serrated ring | 1.000 | ST |
| 9 | 7.312-302.0 | Spring washer B10-FST-A2E DIN 137 | 1.000 | ST |
| 10 | 7.311-101.0 | Hexagon nut M10x1 -04-A2E ISO 8675 | 1.000 | ST |
| 11 | 5.667-055.0 | Nozzle holder | 1.000 | ST |



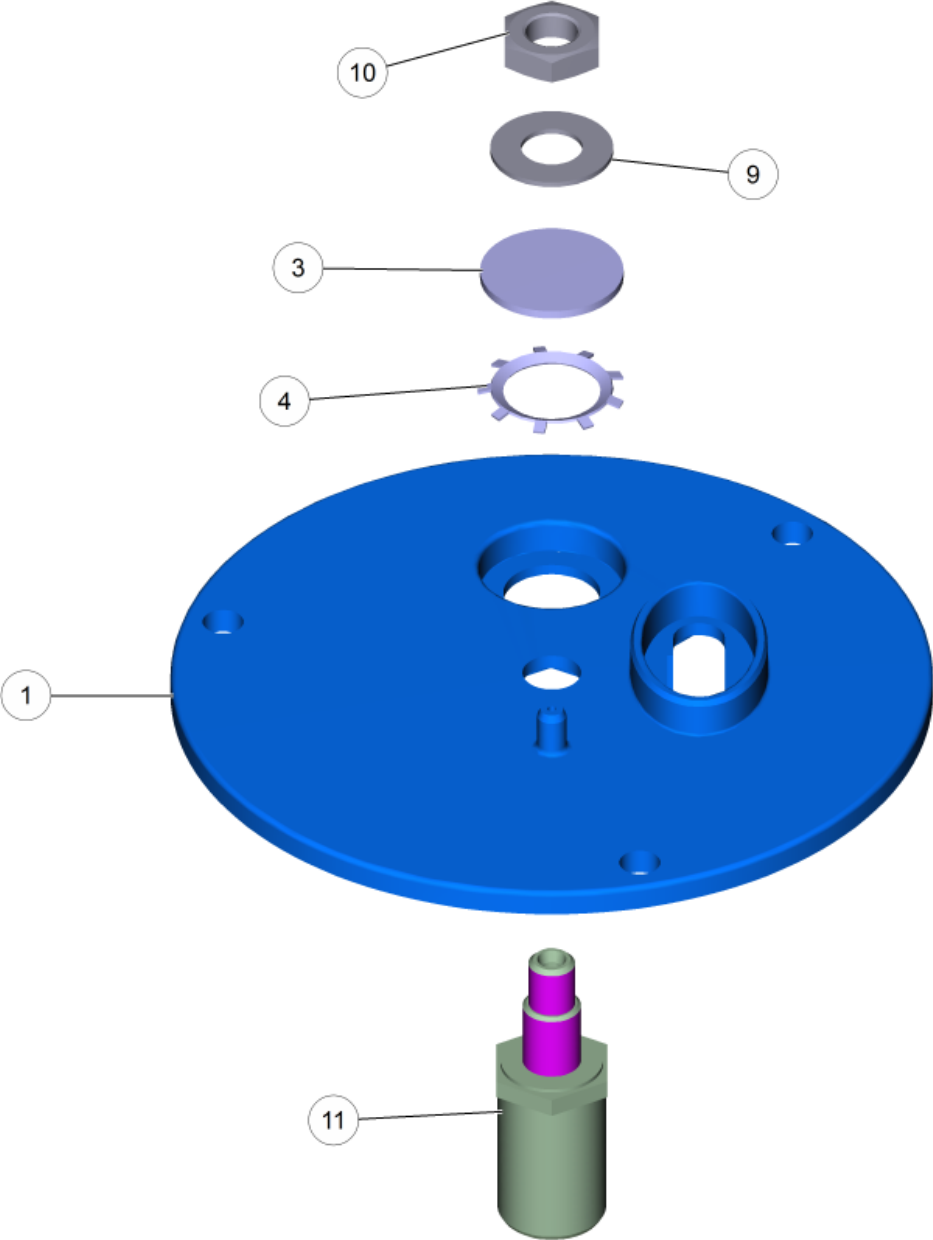
17 Conversion kit ignition electrode (2.638-974.0)

| POS | Article no. | Description | Quantity | Unit |
|------------|--------------------|-----------------------------------|-----------------|-------------|
| 2 | 7.306-217.0 | Screw M5x14 -8.8-R2R (In6Rd) | 1.000 | ST |
| 3 | 7.312-304.0 | Spring washer B 5-FST-A2E DIN 137 | 1.000 | ST |



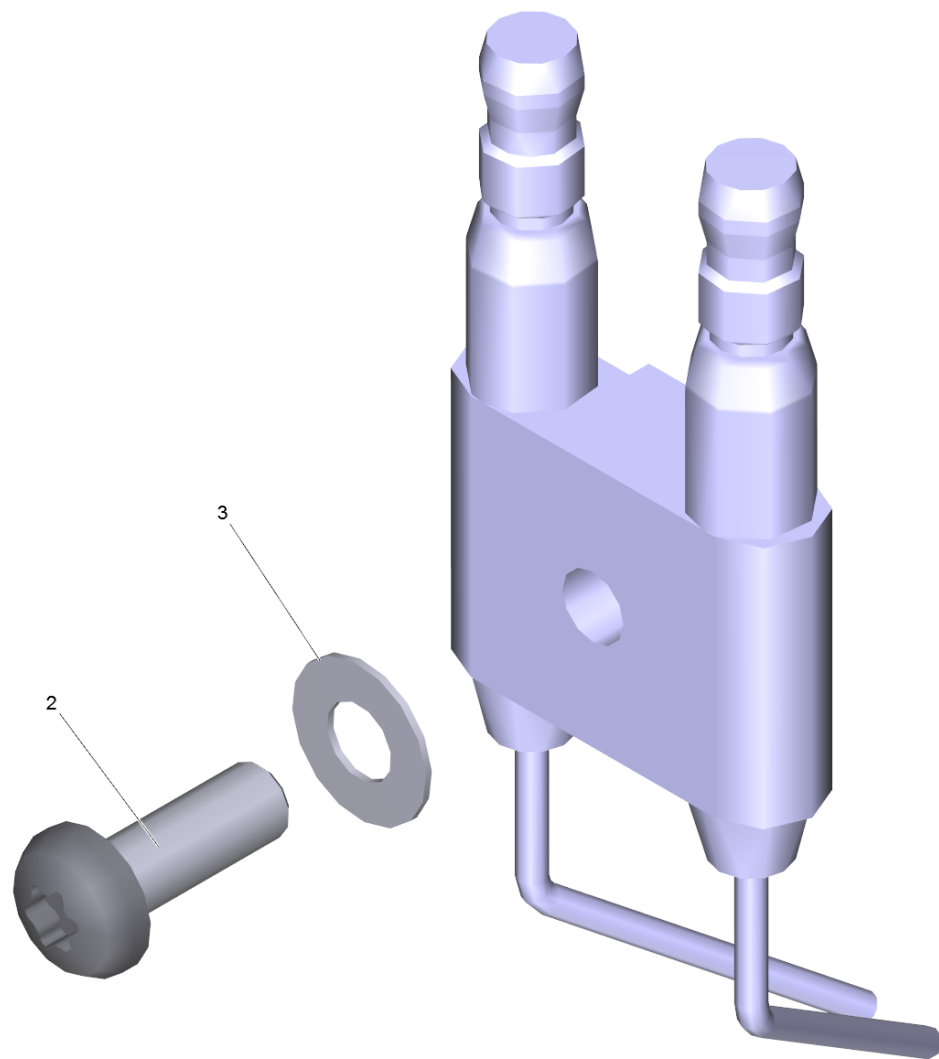
72 Burner cover

| POS | Article no. | Description | Quantity | Unit |
|-----|-------------|------------------------------------|----------|------|
| 1 | 5.423-347.0 | Conduit fuel | 1.000 | ST |
| 2 | 6.389-262.0 | Union nut A 4-LL | 1.000 | ST |
| 3 | 6.389-263.0 | Cutting ring d.4 | 1.000 | ST |
| 4 | 7.311-101.0 | Hexagon nut M10x1 -04-A2E ISO 8675 | 1.000 | ST |
| 5 | 7.312-302.0 | Spring washer B10-FST-A2E DIN 137 | 1.000 | ST |
| 6 | 6.647-527.0 | Holder | 1.000 | ST |
| 7 | 4.821-100.0 | Ignition cable complete | 1.000 | ST |
| 8 | 7.303-038.0 | Screw M5x12 -St-P2R (In6Rd) | 3.000 | ST |
| 10 | 4.654-218.0 | Cover pressure boiler | 1.000 | ST |
| 11 | 6.343-165.0 | Serrated ring | 1.000 | ST |
| 12 | 6.278-018.0 | Glass pane | 1.000 | ST |
| 13 | 5.667-055.0 | Nozzle holder | 1.000 | ST |
| 14 | 6.415-641.0 | Nozzle | 1.000 | ST |
| 15 | 7.312-304.0 | Spring washer B 5-FST-A2E DIN 137 | 1.000 | ST |
| 16 | 7.306-217.0 | Screw M5x14 -8.8-R2R (In6Rd) | 1.000 | ST |
| 17 | 2.638-974.0 | Conversion kit ignition electrode | 1.000 | ST |
| 18 | 5.034-834.0 | Holder probe | 1.000 | ST |



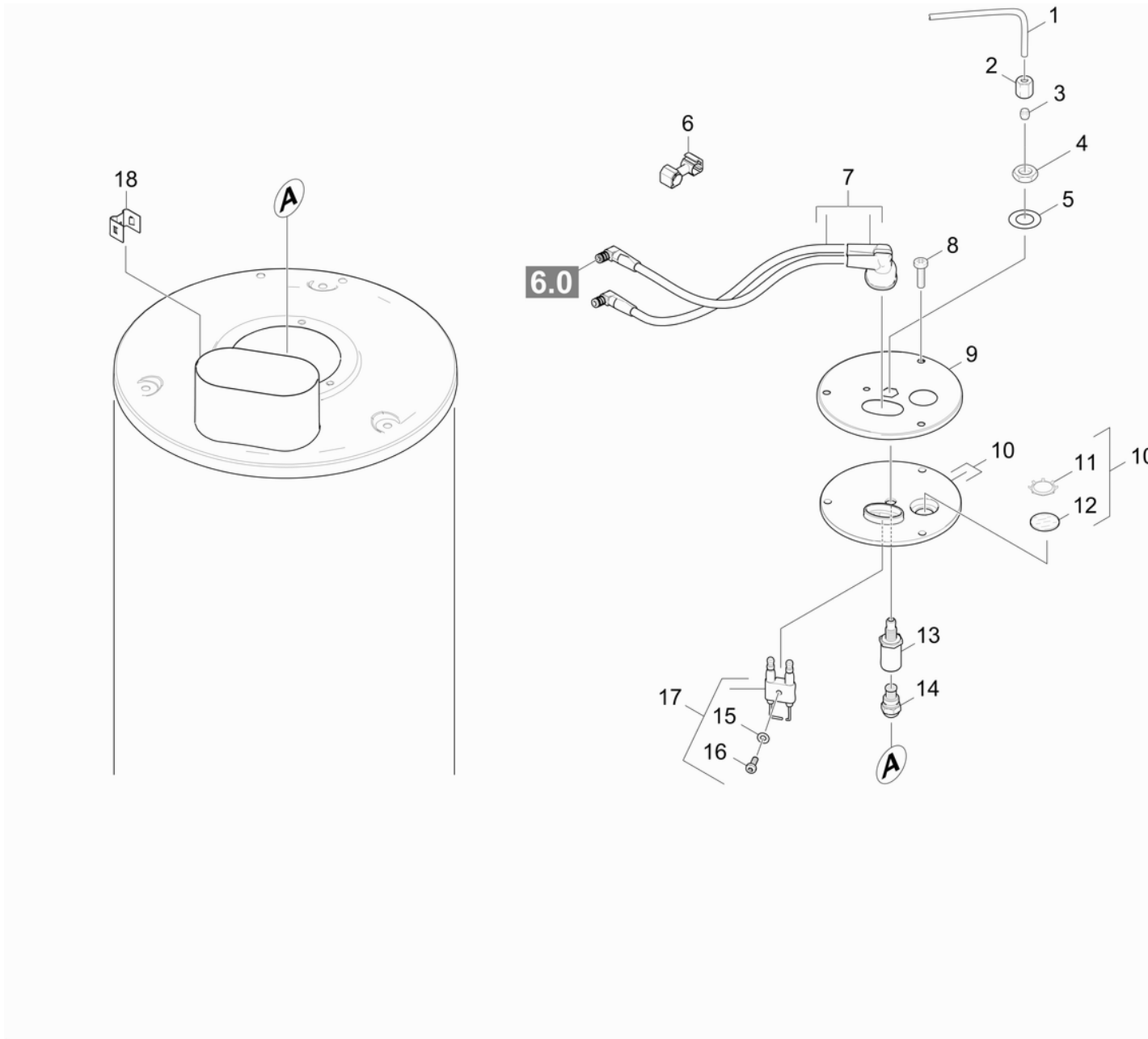
10 Cover pressure boiler (4.654-218.0)

| POS | Article no. | Description | Quantity | Unit |
|------------|--------------------|------------------------------------|-----------------|-------------|
| 1 | 5.662-022.0 | Burner cover | 1.000 | ST |
| 3 | 6.278-018.0 | Glass pane | 1.000 | ST |
| 4 | 6.343-165.0 | Serrated ring | 1.000 | ST |
| 9 | 7.312-302.0 | Spring washer B10-FST-A2E DIN 137 | 1.000 | ST |
| 10 | 7.311-101.0 | Hexagon nut M10x1 -04-A2E ISO 8675 | 1.000 | ST |
| 11 | 5.667-055.0 | Nozzle holder | 1.000 | ST |



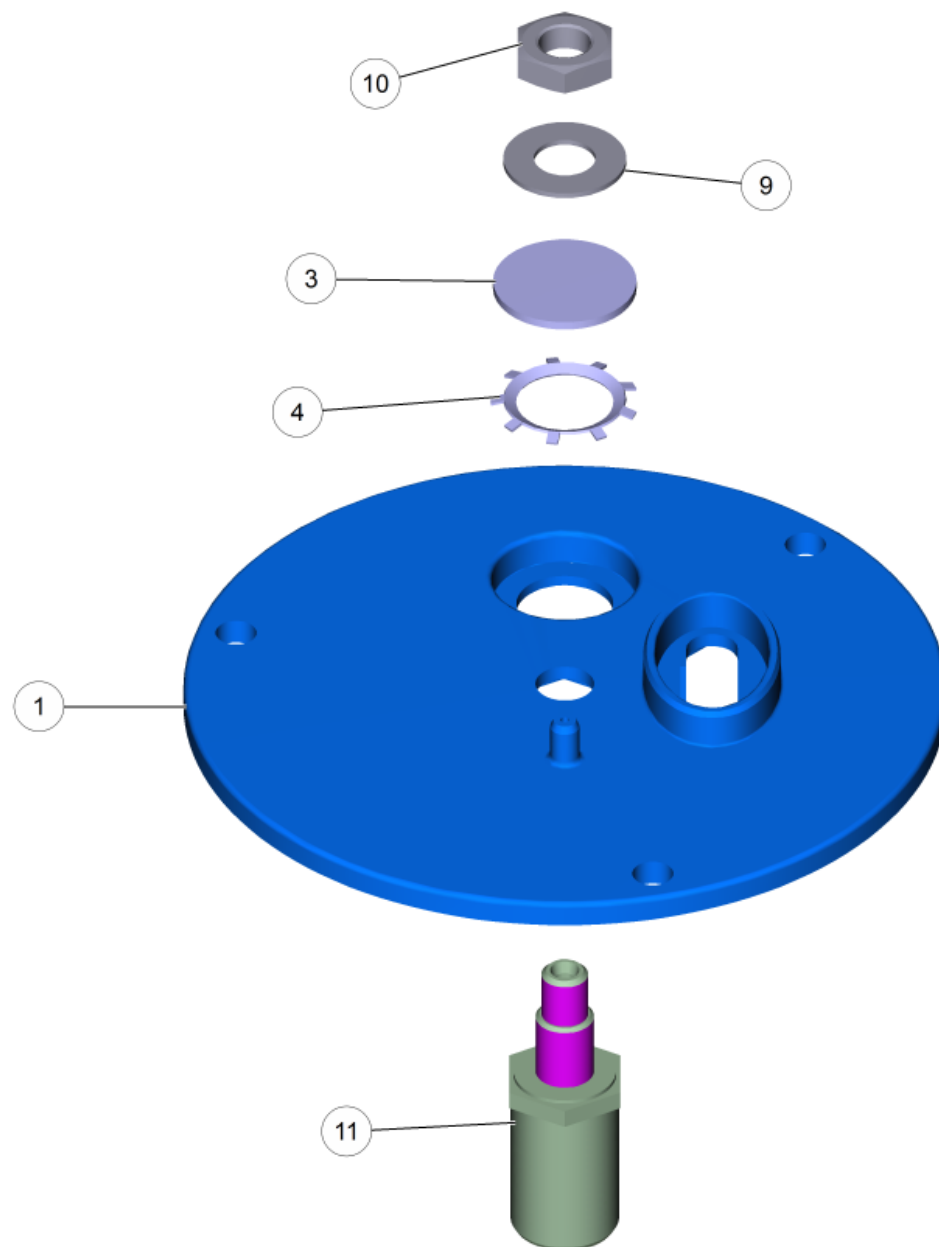
17 Conversion kit ignition electrode (2.638-974.0)

| POS | Article no. | Description | Quantity | Unit |
|------------|--------------------|-----------------------------------|-----------------|-------------|
| 2 | 7.306-217.0 | Screw M5x14 -8.8-R2R (In6Rd) | 1.000 | ST |
| 3 | 7.312-304.0 | Spring washer B 5-FST-A2E DIN 137 | 1.000 | ST |



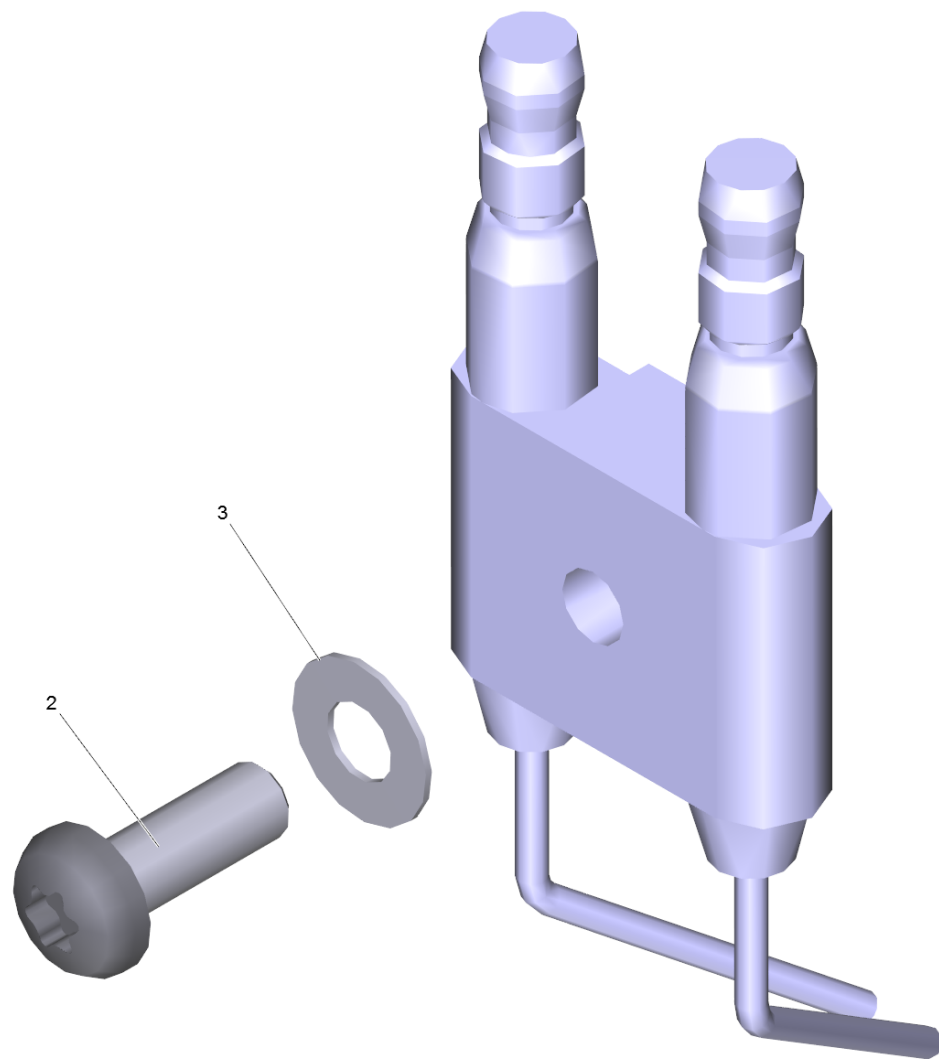
73 Burner cover

| POS | Article no. | Description | Quantity | Unit |
|-----|-------------|------------------------------------|----------|------|
| 1 | 5.423-008.0 | Conduit fuel | 1.000 | ST |
| 2 | 6.389-262.0 | Union nut A 4-LL | 1.000 | ST |
| 3 | 6.389-263.0 | Cutting ring d.4 | 1.000 | ST |
| 4 | 7.311-101.0 | Hexagon nut M10x1 -04-A2E ISO 8675 | 1.000 | ST |
| 5 | 7.312-302.0 | Spring washer B10-FST-A2E DIN 137 | 1.000 | ST |
| 6 | 6.647-527.0 | Holder | 1.000 | ST |
| 7 | 4.821-100.0 | Ignition cable complete | 1.000 | ST |
| 8 | 7.303-038.0 | Screw M5x12 -St-P2R (In6Rd) | 3.000 | ST |
| 9 | 5.654-059.0 | Cover pressure boiler | 1.000 | ST |
| 10 | 4.654-218.0 | Cover pressure boiler | 1.000 | ST |
| 11 | 6.343-165.0 | Serrated ring | 1.000 | ST |
| 12 | 6.278-018.0 | Glass pane | 1.000 | ST |
| 13 | 5.667-055.0 | Nozzle holder | 1.000 | ST |
| 14 | 6.415-641.0 | Nozzle | 1.000 | ST |
| 15 | 7.312-304.0 | Spring washer B 5-FST-A2E DIN 137 | 1.000 | ST |
| 16 | 7.306-217.0 | Screw M5x14 -8.8-R2R (In6Rd) | 1.000 | ST |
| 17 | 2.638-974.0 | Conversion kit ignition electrode | 1.000 | ST |
| 18 | 5.034-834.0 | Holder probe | 1.000 | ST |



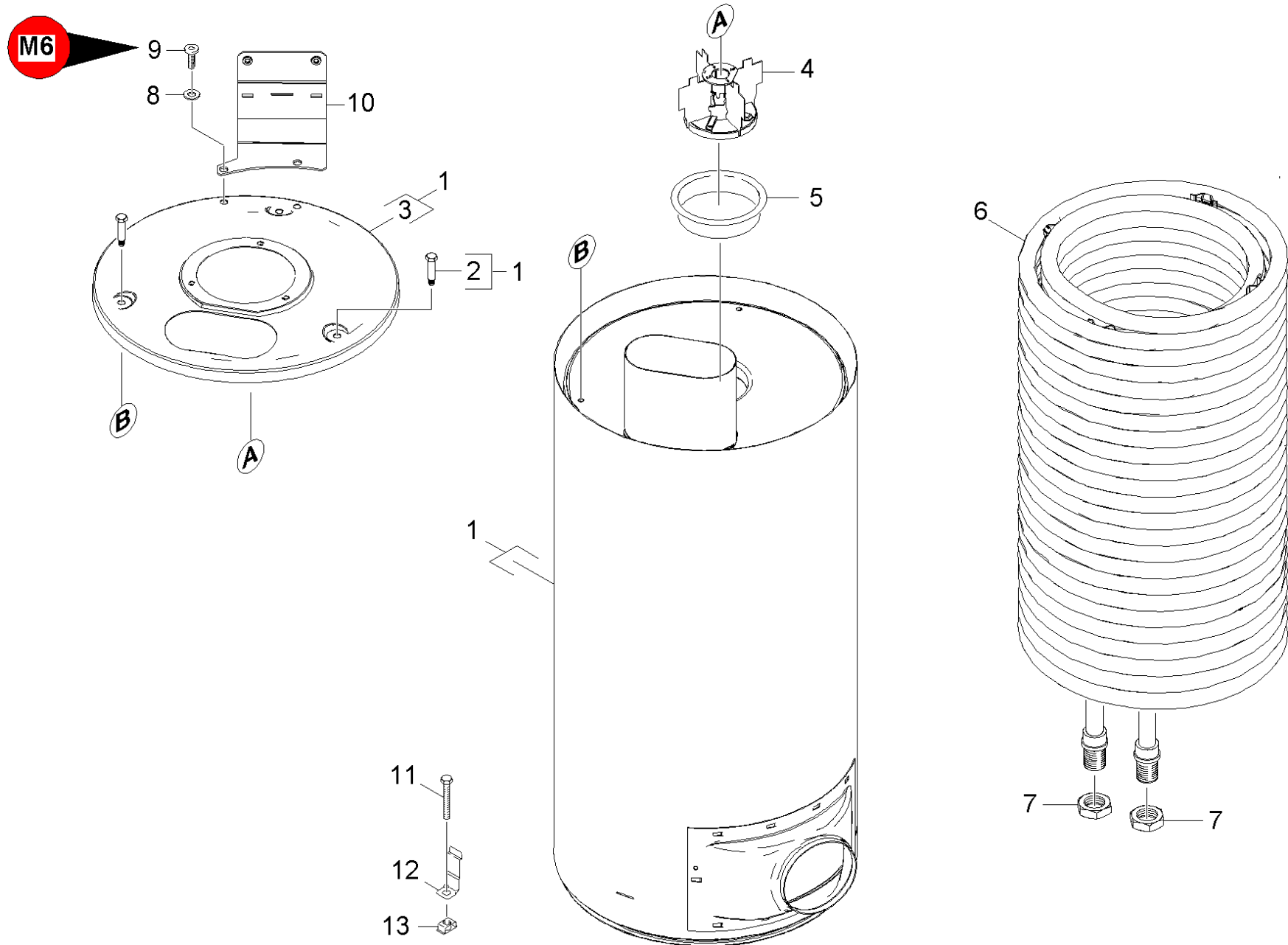
10 Cover pressure boiler (4.654-218.0)

| POS | Article no. | Description | Quantity | Unit |
|------------|--------------------|------------------------------------|-----------------|-------------|
| 1 | 5.662-022.0 | Burner cover | 1.000 | ST |
| 3 | 6.278-018.0 | Glass pane | 1.000 | ST |
| 4 | 6.343-165.0 | Serrated ring | 1.000 | ST |
| 9 | 7.312-302.0 | Spring washer B10-FST-A2E DIN 137 | 1.000 | ST |
| 10 | 7.311-101.0 | Hexagon nut M10x1 -04-A2E ISO 8675 | 1.000 | ST |
| 11 | 5.667-055.0 | Nozzle holder | 1.000 | ST |



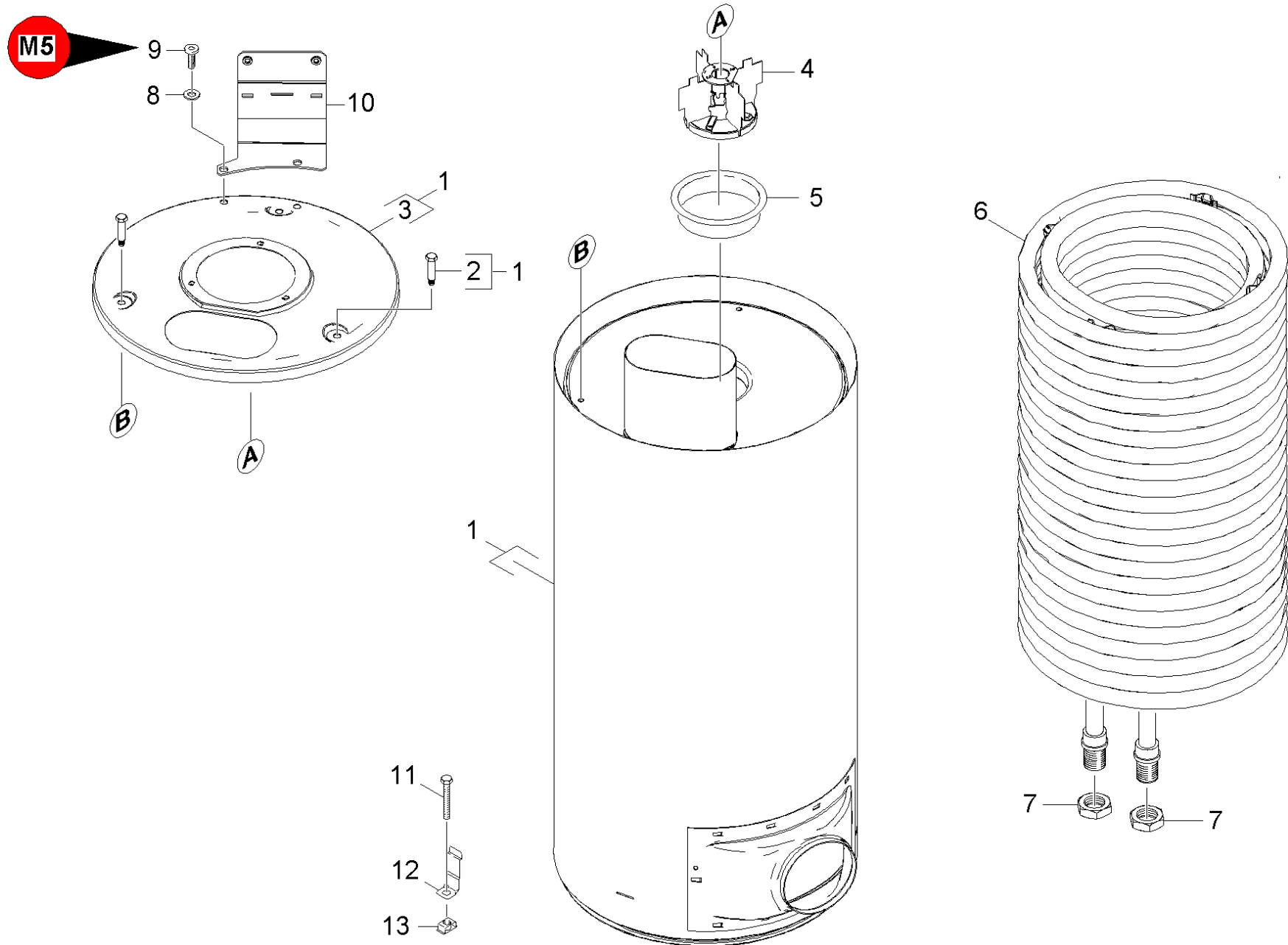
17 Conversion kit ignition electrode (2.638-974.0)

| POS | Article no. | Description | Quantity | Unit |
|------------|--------------------|-----------------------------------|-----------------|-------------|
| 2 | 7.306-217.0 | Screw M5x14 -8.8-R2R (In6Rd) | 1.000 | ST |
| 3 | 7.312-304.0 | Spring washer B 5-FST-A2E DIN 137 | 1.000 | ST |



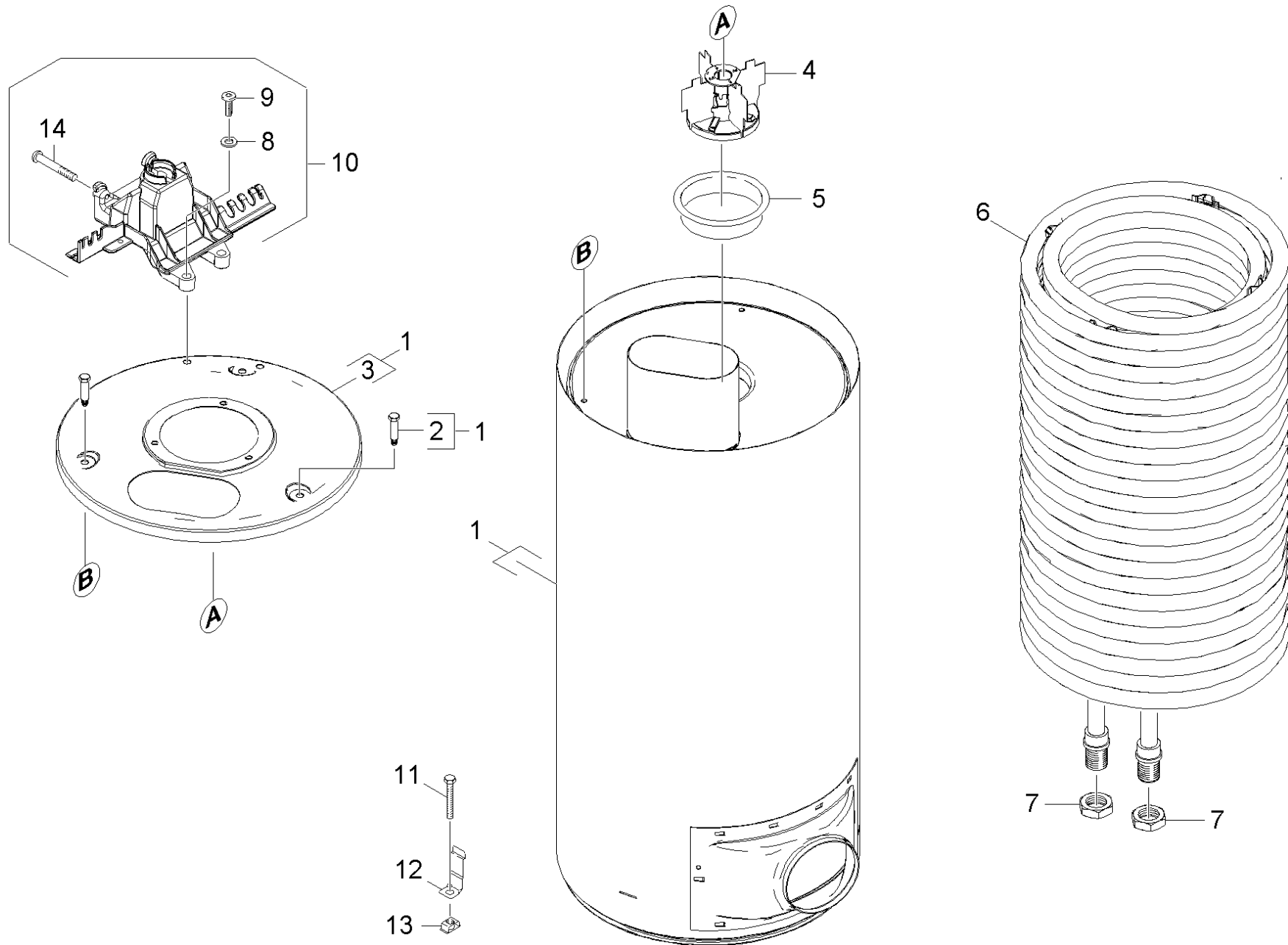
74 Heating coil

| POS | Article no. | Description | Quantity | Unit | Remark |
|-----|-------------|--|----------|------|--------|
| 1 | 4.652-139.0 | Outer covering complete | 1.000 | ST | |
| 2 | 6.303-258.0 | Self-tapping screw | 3.000 | ST | |
| 3 | 4.654-196.0 | Cover pressure boiler | 1.000 | ST | |
| 4 | 4.663-088.0 | Baffle plate complete | 1.000 | ST | |
| 5 | 5.664-256.0 | Flame tube | 1.000 | ST | |
| 6 | 4.680-137.0 | Heating coil VA | 1.000 | ST | (VA) |
| 6 | 4.680-135.0 | Heating coil | 1.000 | ST | |
| 7 | 7.311-112.0 | Hexagon nut M22X1,5 -22H-A2E DIN 936 | 2.000 | ST | |
| 8 | 7.312-276.0 | Washer 6 -200HV-A2E ISO7093-1 | 2.000 | ST | |
| 9 | 7.306-090.0 | Screw M6x16 -8.8-R3R (In6Rd) | 2.000 | ST | |
| 10 | 5.762-378.0 | Bracket | 1.000 | ST | |
| 11 | 7.304-051.0 | Hexagonal head screw M 8x16-8.8-P2R EN | 3.000 | ST | |
| 12 | 5.044-420.0 | Holder | 3.000 | ST | |
| 13 | 6.310-081.0 | Cage nut M 8 | 3.000 | ST | |



75 Heating coil

| POS | Article no. | Description | Quantity | Unit | Remark |
|-----|-------------|--|----------|------|--------|
| 1 | 4.652-139.0 | Outer covering complete | 1.000 | ST | |
| 2 | 6.303-258.0 | Self-tapping screw | 3.000 | ST | |
| 3 | 5.654-051.0 | Cover pressure boiler | 1.000 | ST | |
| 4 | 4.663-088.0 | Baffle plate complete | 1.000 | ST | |
| 5 | 5.664-256.0 | Flame tube | 1.000 | ST | |
| 6 | 4.680-137.0 | Heating coil VA | 1.000 | ST | (VA) |
| 6 | 4.680-135.0 | Heating coil | 1.000 | ST | |
| 7 | 7.311-112.0 | Hexagon nut M22X1,5 -22H-A2E DIN 936 | 2.000 | ST | |
| 8 | 7.312-278.0 | Washer 5-200HV-A2E ISO7093-1 | 2.000 | ST | |
| 9 | 7.303-038.0 | Screw M5x12 -St-P2R (In6Rd) | 2.000 | ST | |
| 10 | 5.762-378.0 | Bracket | 1.000 | ST | |
| 11 | 7.304-051.0 | Hexagonal head screw M 8x16-8.8-P2R EN | 3.000 | ST | |
| 12 | 5.044-420.0 | Holder | 3.000 | ST | |
| 13 | 6.310-081.0 | Cage nut M 8 | 3.000 | ST | |



76 Heating coil

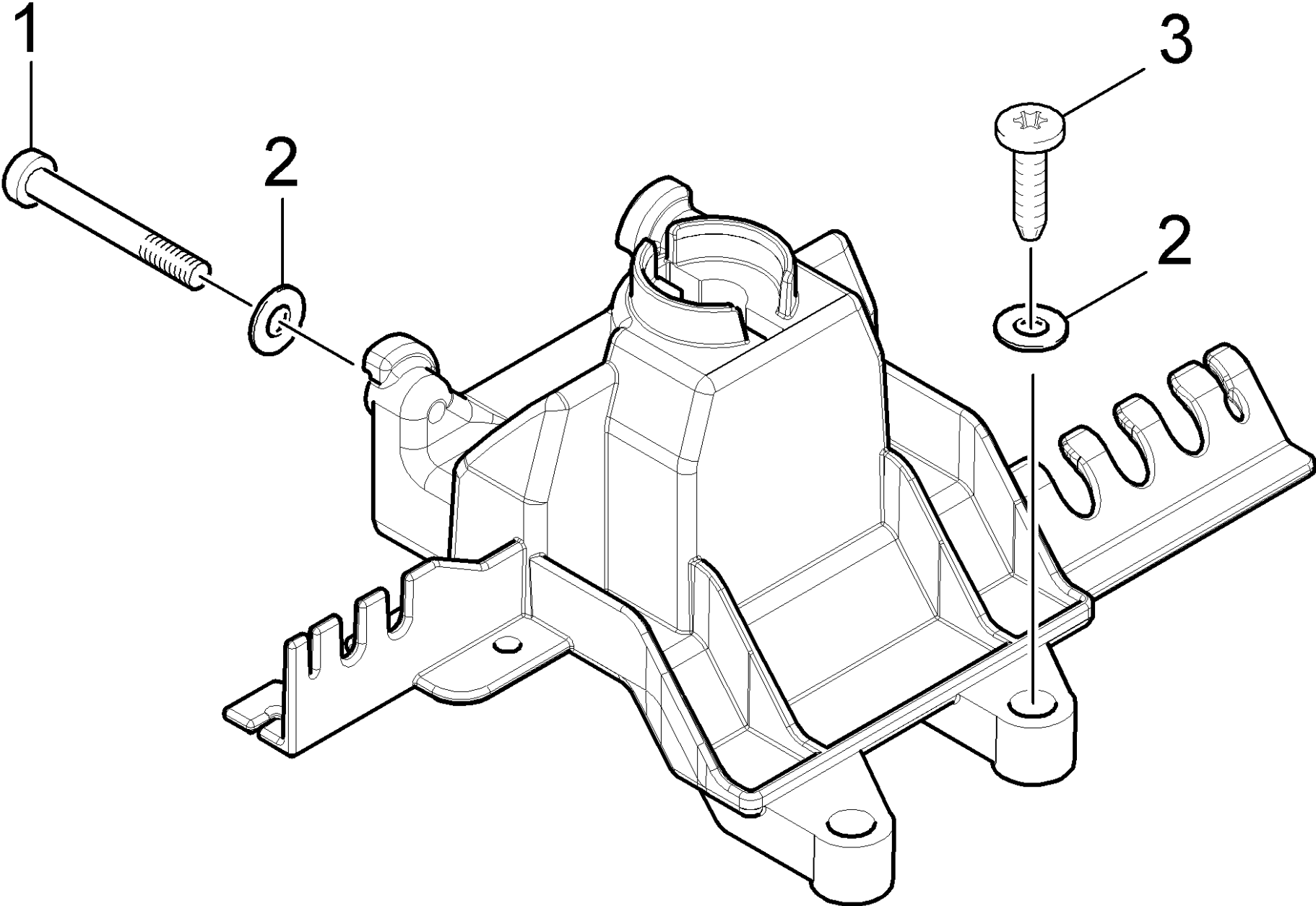
| POS | Article no. | Description | Quantity | Unit | Remark |
|-----|-------------|--|----------|------|--------|
| 1 | 4.652-139.0 | Outer covering complete | 1.000 | ST | |
| 2 | 6.303-258.0 | Self-tapping screw | 3.000 | ST | |
| 3 | 5.654-051.0 | Cover pressure boiler | 1.000 | ST | |
| 4 | 4.663-088.0 | Baffle plate complete | 1.000 | ST | |
| 5 | 5.664-256.0 | Flame tube | 1.000 | ST | |
| 6 | 4.680-137.0 | Heating coil VA | 1.000 | ST | (VA) |
| 6 | 4.680-135.0 | Heating coil | 1.000 | ST | |
| 7 | 7.311-112.0 | Hexagon nut M22X1,5 -22H-A2E DIN 936 | 2.000 | ST | |
| 8 | 7.312-278.0 | Washer 5-200HV-A2E ISO7093-1 | 2.000 | ST | |
| 9 | 6.303-320.0 | Screw M 5x 20-St-R2R | 2.000 | ST | |
| 10 | 2.882-691.0 | Conversion kit holder small Kessel | 1.000 | ST | |
| 11 | 7.304-051.0 | Hexagonal head screw M 8x16-8.8-P2R EN | 3.000 | ST | |
| 12 | 5.044-420.0 | Holder | 3.000 | ST | |
| 13 | 6.310-081.0 | Cage nut M 8 | 3.000 | ST | |
| 14 | 7.303-111.0 | Screw 5x50 -10.9-R2R (K-In6Rd) | 2.000 | ST | |

10 Conversion kit holder small Kessel (2.882-691.0)

| POS | Article no. | Description | Quantity | Unit |
|------------|--------------------|--|-----------------|-------------|
| 6 | 5.953-327.0 | Spare parts list reversion kit holder kl | 1.000 | ST |

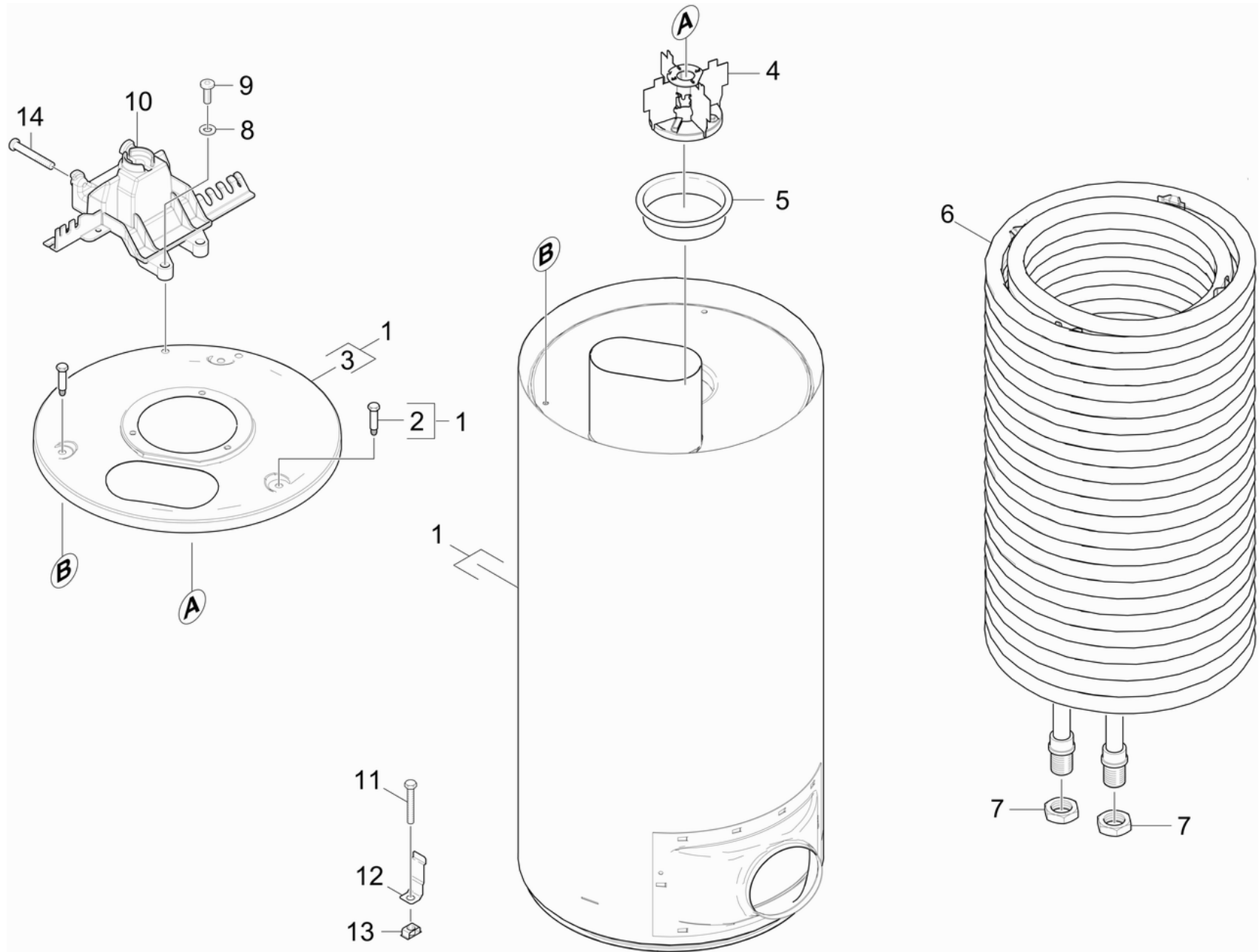
6 Spare parts list reversion kit holder kl (5.953-327.0)

| POS | Description | Quantity | Unit |
|------------|------------------------------|-----------------|-------------|
| 10 | Conversion kit holder boiler | 1.000 | ST |



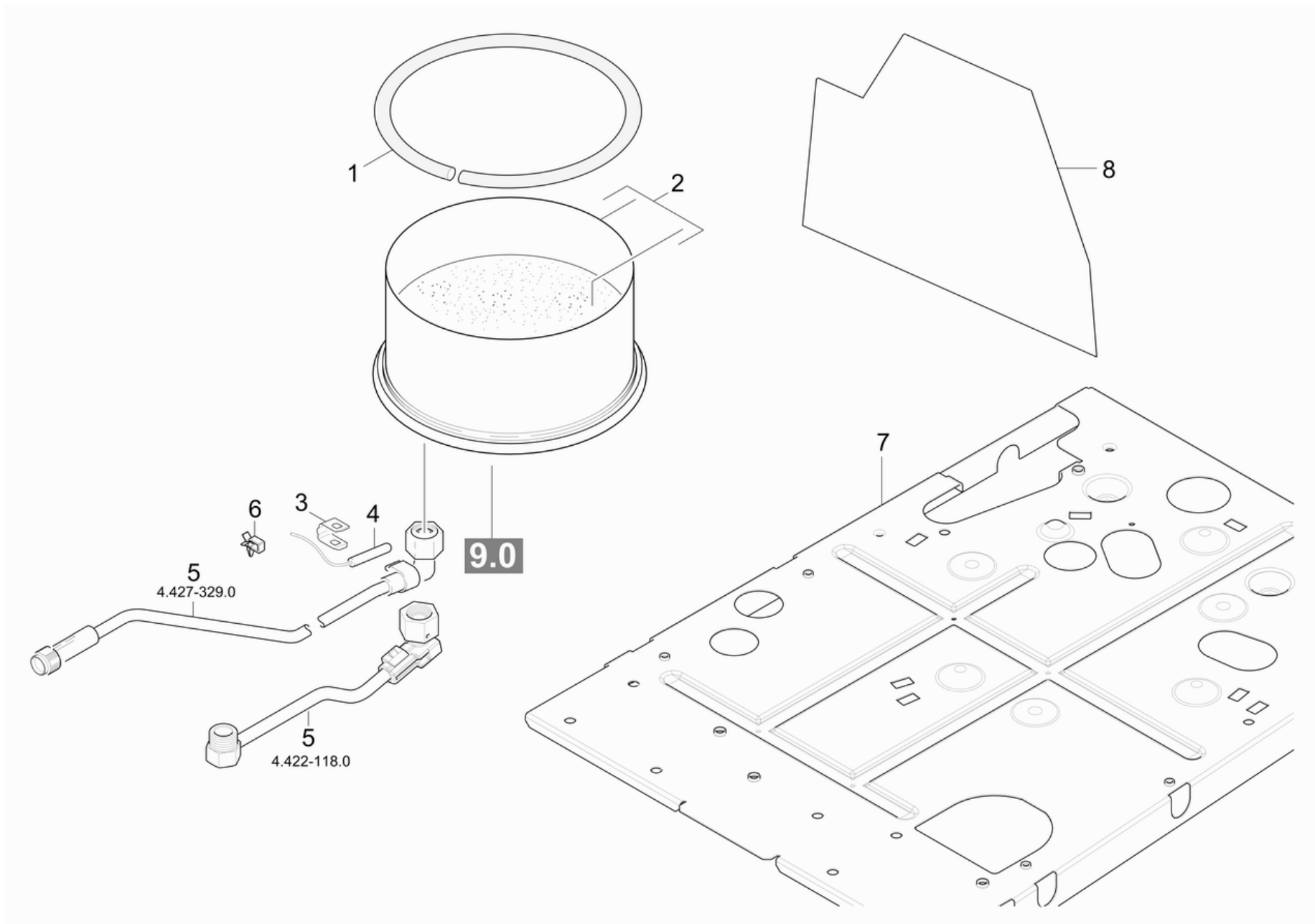
10 Conversion kit holder boiler

| POS | Article no. | Description | Quantity | Unit |
|------------|--------------------|--------------------------------|-----------------|-------------|
| 1 | 7.303-111.0 | Screw 5x50 -10.9-R2R (K-In6Rd) | 2.000 | ST |
| 2 | 7.312-278.0 | Washer 5-200HV-A2E ISO7093-1 | 4.000 | ST |
| 3 | 6.303-320.0 | Screw M 5x 20-St-R2R | 2.000 | ST |



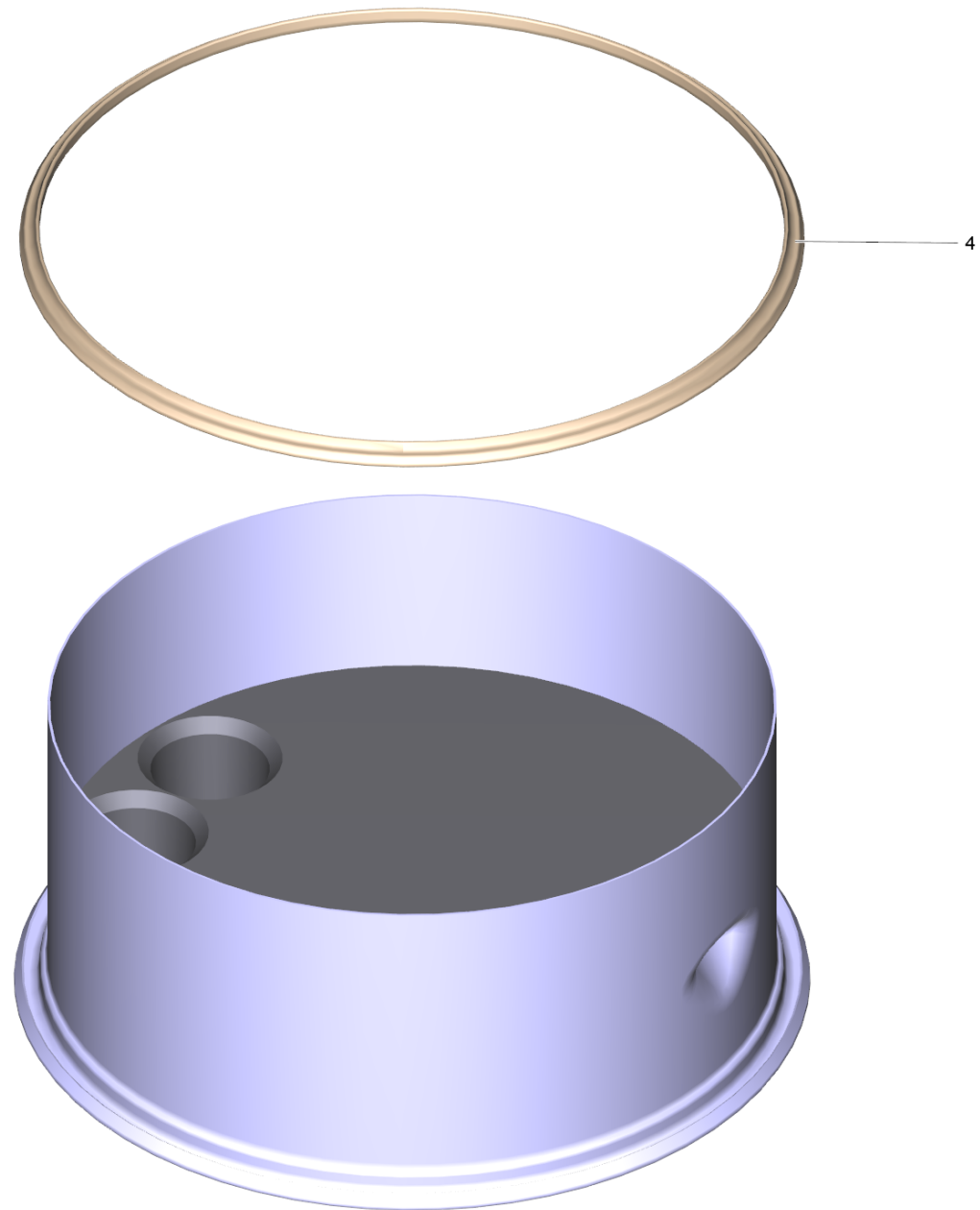
77 Heating coil

| POS | Article no. | Description | Quantity | Unit | Remark |
|-----|-------------|--|----------|------|--------|
| 1 | 4.652-004.0 | Vessel mantel complete | 1.000 | ST | |
| 2 | 6.303-258.0 | Self-tapping screw | 3.000 | ST | |
| 3 | 5.654-051.0 | Cover pressure boiler | 1.000 | ST | |
| 4 | 4.663-088.0 | Baffle plate complete | 1.000 | ST | |
| 5 | 5.664-256.0 | Flame tube | 1.000 | ST | |
| 6 | 4.680-137.0 | Heating coil VA | 1.000 | ST | (VA) |
| 6 | 4.680-135.0 | Heating coil | 1.000 | ST | |
| 7 | 7.311-112.0 | Hexagon nut M22X1,5 -22H-A2E DIN 936 | 2.000 | ST | |
| 8 | 7.312-278.0 | Washer 5-200HV-A2E ISO7093-1 | 2.000 | ST | |
| 9 | 6.303-320.0 | Screw M 5x 20-St-R2R | 2.000 | ST | |
| 10 | 5.412-001.0 | Holder Kessel ovale Heizschlange | 1.000 | ST | |
| 11 | 7.304-051.0 | Hexagonal head screw M 8x16-8.8-P2R EN | 3.000 | ST | |
| 12 | 5.044-420.0 | Holder | 3.000 | ST | |
| 13 | 6.310-081.0 | Cage nut M 8 | 3.000 | ST | |
| 14 | 7.303-111.0 | Screw 5x50 -10.9-R2R (K-In6Rd) | 2.000 | ST | |



78 Burner bottom

| POS | Article no. | Description | Quantity | Unit |
|-----|--|---------------------------------|----------|------|
| 1 | 6.366-009.0 | Seal string | 1.000 | ST |
| 2 | 4.655-044.0 | Bottom pressure boiler | 1.000 | ST |
| 3 | 5.263-064.0 | Tensioning part | 1.000 | ST |
| 4 | 4.686-031.0 | Thermostat only for replacement | 1.000 | ST |
| 5 | 4.427-329.0 | Manifold complete | 1.000 | ST |
| | Item text1: 1.071-401.0 /-402.0 /-403.0 | | | |
| 5 | 4.422-118.0 | Pipelines | 1.000 | ST |
| | Item text1: 1.071-451.0 /-452.0 /-455.0 | | | |
| 6 | 6.970-929.0 | Clip | 1.000 | ST |
| 7 | 5.051-114.0 | Base plate boiler | 1.000 | ST |
| 8 | 5.424-142.0 | Foil shield | 1.000 | ST |

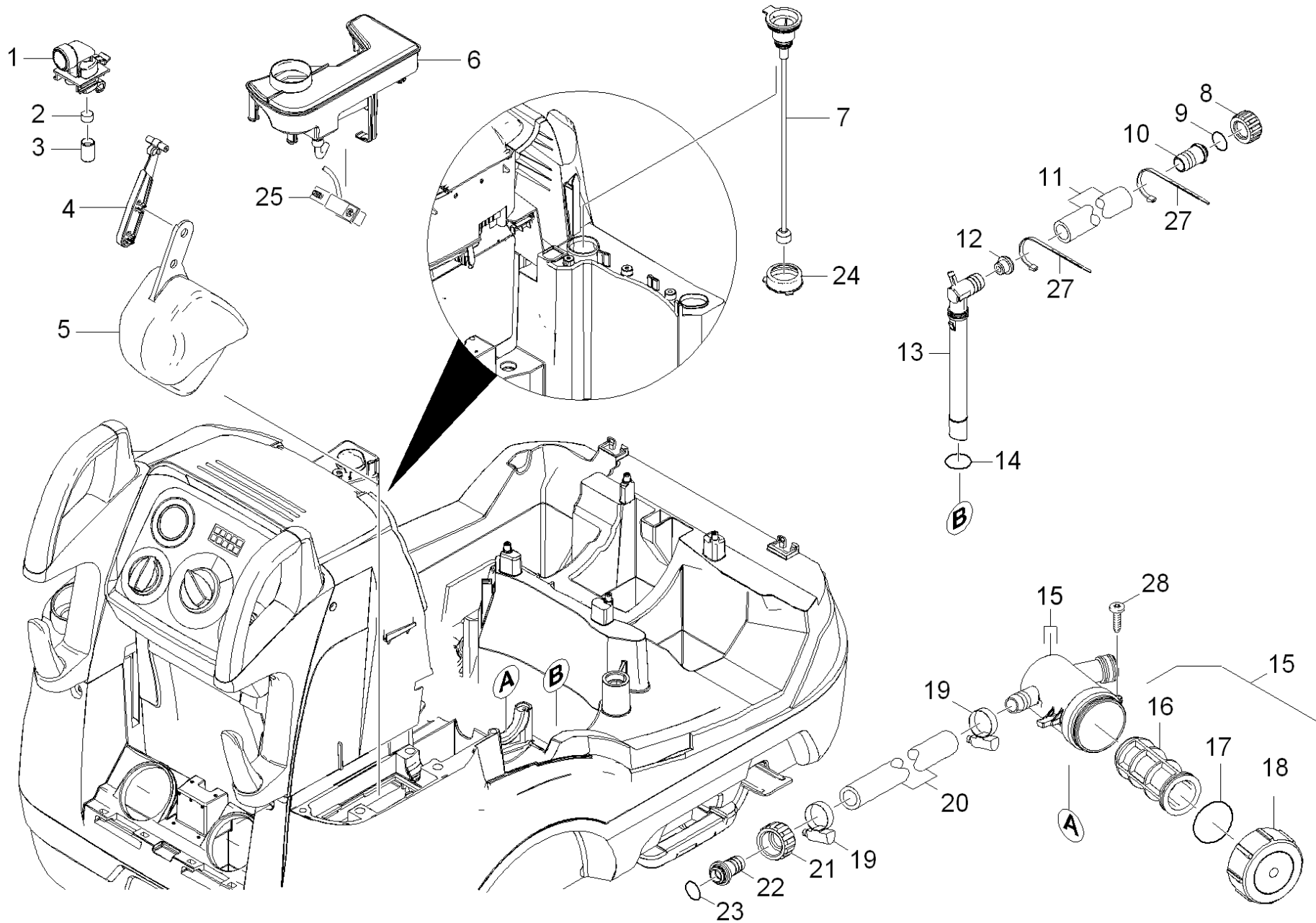


2 Bottom pressure boiler (4.655-044.0)

| POS | Article no. | Description | Quantity | Unit |
|------------|--------------------|---------------------|-----------------|-------------|
| 4 | 6.366-009.0 | Seal string | 1.000 | ST |
| 6 | 6.869-024.0 | Quick-bonding agent | 0.004 | ZST |

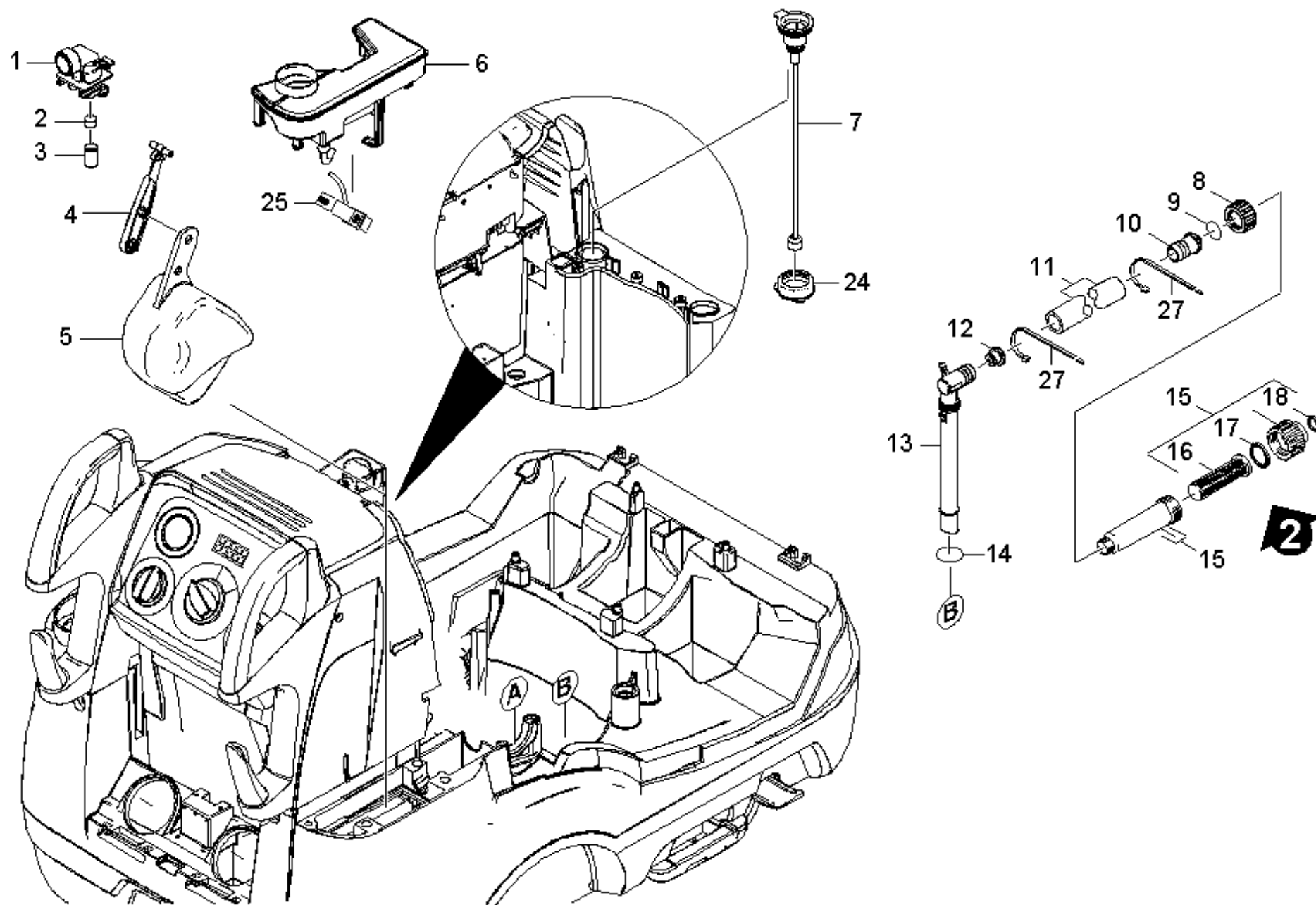
80 Float valve

| POS | Description | Quantity | Unit | Remark |
|------------|--------------------|-----------------|-------------|---------------|
| 81 | Float valve | 1.000 | ST | VERSION 1 |
| 82 | Float valve | 1.000 | ST | VERSION 2 |



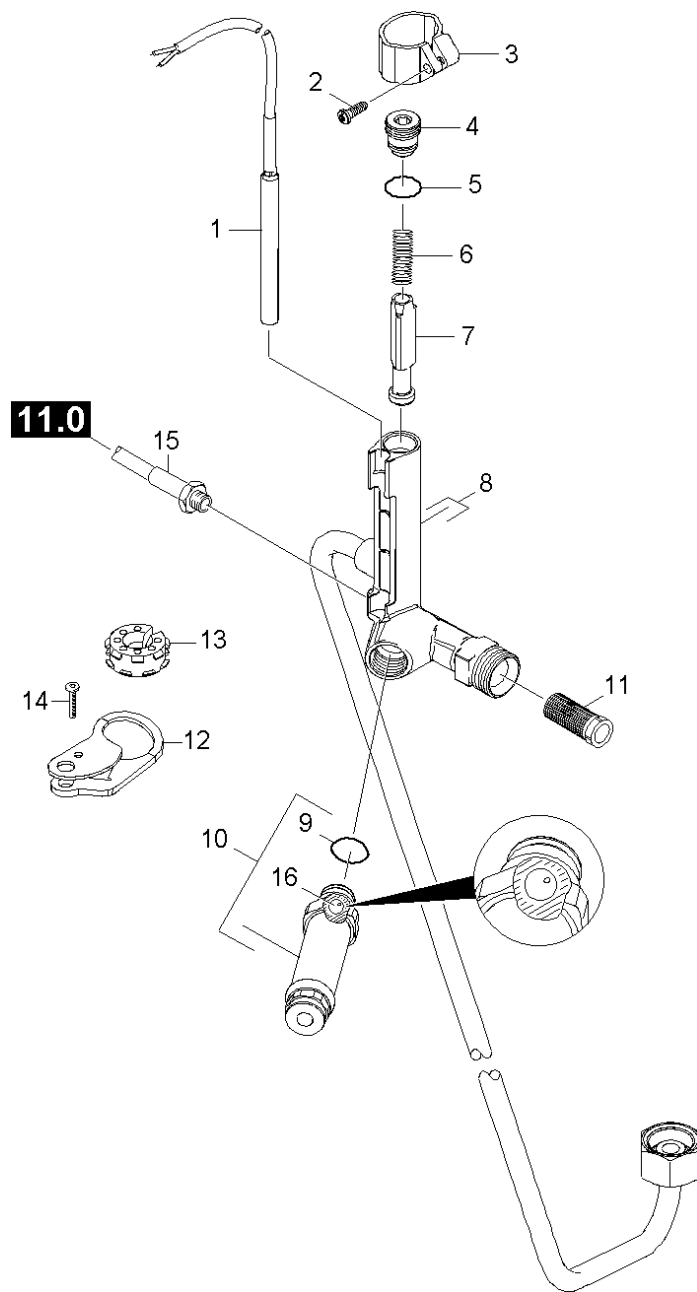
81 Float valve

| POS | Article no. | Description | Quantity | Unit | Foot note text |
|-----|-------------|-------------------------------------|----------|------|-----------------------|
| 1 | 5.587-214.0 | Valve housing | 1.000 | ST | |
| 2 | 5.364-095.0 | Flat gasket | 1.000 | ST | |
| 3 | 5.584-085.0 | Valve pin | 1.000 | ST | |
| 4 | 5.481-256.0 | Lever | 1.000 | ST | |
| 5 | 5.585-030.0 | Float | 1.000 | ST | |
| 6 | 4.070-658.3 | Tank complete | 1.000 | ST | |
| 7 | 4.747-097.0 | Level probe -nur für Ersatz- | 1.000 | ST | |
| 8 | 5.310-062.0 | Nut | 1.000 | ST | |
| 9 | 6.362-078.0 | O-Ring seal 13,3x2,4 | 1.000 | ST | |
| 10 | 5.443-312.0 | Hose stem | 1.000 | ST | |
| 11 | 6.391-612.0 | Piece of tube only for replacement | 1.000 | ST | |
| 12 | 5.112-193.0 | Bush | 1.000 | ST | |
| 13 | 5.443-553.0 | Connection piece | 1.000 | ST | |
| 14 | 6.362-161.0 | O-Ring seal 19,3 X 2,4 | 1.000 | ST | |
| 15 | 4.730-124.0 | Filter complete | 1.000 | ST | |
| 16 | 6.414-681.0 | Filter cartridge | 1.000 | ST | |
| 17 | 5.363-613.0 | Seal | 1.000 | ST | |
| 18 | 5.064-107.0 | Cover | 1.000 | ST | |
| 19 | 7.373-022.0 | Hose clip A-16-27x9 -W2-2 DIN3017 | 2.000 | ST | |
| 20 | 6.388-719.0 | Hose DN17 | 1.000 | M | TO ORDER AS CUT GOODS |
| 21 | 5.310-061.0 | Nut R 3/4" | 1.000 | ST | |
| 22 | 5.443-224.0 | Hose stem | 1.000 | ZST | |
| 23 | 6.362-078.0 | O-Ring seal 13,3x2,4 | 1.000 | ST | |
| 24 | 5.365-289.0 | Rubber bushing transmitter feeder | 1.000 | ST | |
| 25 | 4.686-030.0 | Solenoid valve only for replacement | 1.000 | ST | |
| 27 | 6.641-474.0 | Cable tape 8-210 | 2.000 | ST | |
| 28 | 7.303-108.0 | Screw 5x20 -10.9-R2R (In6Rd) | 1.000 | ST | |



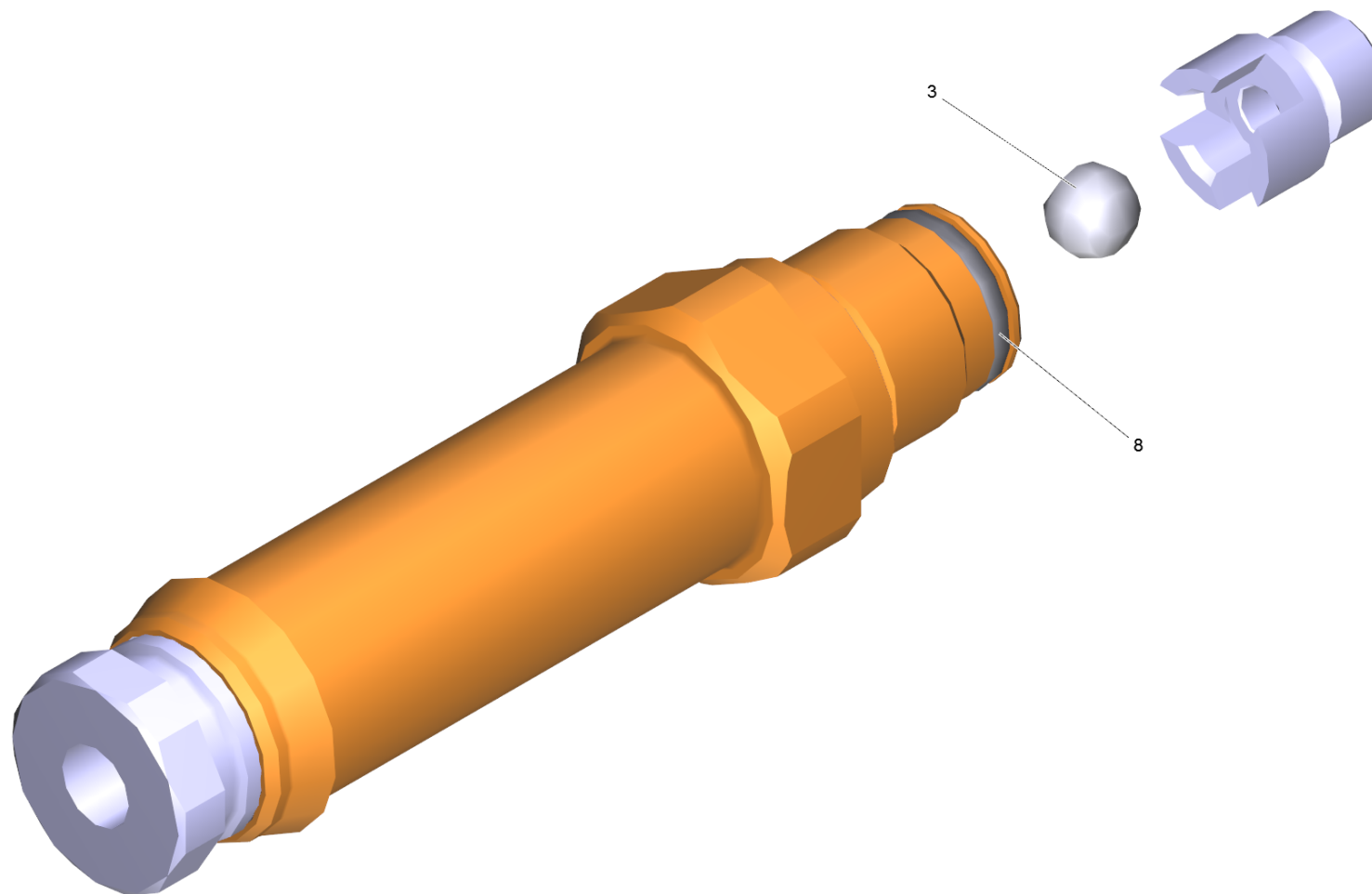
82 Float valve

| POS | Article no. | Description | Quantity | Unit |
|-----|-------------|-------------------------------------|----------|------|
| 1 | 5.587-214.0 | Valve housing | 1.000 | ST |
| 2 | 5.364-095.0 | Flat gasket | 1.000 | ST |
| 3 | 5.584-085.0 | Valve pin | 1.000 | ST |
| 4 | 5.481-256.0 | Lever | 1.000 | ST |
| 5 | 5.585-030.0 | Float | 1.000 | ST |
| 6 | 4.070-658.3 | Tank complete | 1.000 | ST |
| 7 | 4.747-097.0 | Level probe -nur für Ersatz- | 1.000 | ST |
| 8 | 5.310-062.0 | Nut | 1.000 | ST |
| 9 | 6.362-078.0 | O-Ring seal 13,3x2,4 | 1.000 | ST |
| 10 | 5.443-211.0 | Hose stem | 1.000 | ST |
| 11 | 6.392-258.0 | Piece of tube 19x4x280 | 1.000 | ST |
| 12 | 5.112-193.0 | Bush | 1.000 | ST |
| 13 | 5.443-553.0 | Connection piece | 1.000 | ST |
| 14 | 6.362-161.0 | O-Ring seal 19,3 X 2,4 | 1.000 | ST |
| 15 | 4.730-127.0 | Water filter | 1.000 | ST |
| 16 | 5.731-587.0 | Water filter | 1.000 | ST |
| 17 | 5.363-336.0 | Seal | 1.000 | ST |
| 18 | 5.363-545.0 | Seal | 1.000 | ST |
| 19 | 7.373-022.0 | Hose clip A-16-27x9 -W2-2 DIN3017 | 2.000 | ST |
| 24 | 5.365-289.0 | Rubber bushing transmitter feeder | 1.000 | ST |
| 25 | 4.686-030.0 | Solenoid valve only for replacement | 1.000 | ST |
| 27 | 6.641-474.0 | Cable tape 8-210 | 2.000 | ST |



90 Safety system

| POS | Article no. | Description | Quantity | Unit |
|-----|-------------|--|----------|------|
| 1 | 2.885-051.0 | Reed switch replacement | 1.000 | ST |
| 2 | 6.303-122.0 | M4 .2X13 DIN 7981 TORX T15 PAN HD HI/LO | 1.000 | ST |
| 3 | 5.041-076.0 | Clamp | 1.000 | ST |
| 4 | 5.305-162.0 | Shaped screw | 1.000 | ST |
| 5 | 6.362-482.0 | O-Ring seal 10 x 1,5-NBR 70 | 1.000 | ST |
| 6 | 5.332-057.0 | Helical spring | 1.000 | ST |
| 7 | 4.551-058.0 | Cartridge protection against water short | 1.000 | ST |
| 8 | 4.427-040.0 | Manifold complete screw plug | 1.000 | ST |
| 9 | 6.362-845.0 | O-Ring seal 10,82x 1,78 | 1.000 | ST |
| 10 | 4.580-709.0 | Safety valve complete replacement | 1.000 | ST |
| 11 | 6.414-566.0 | Strainer WMS | 1.000 | ST |
| 12 | 5.378-150.0 | Holder pipe | 1.000 | ST |
| 13 | 5.767-023.0 | Rubber buffer | 1.000 | ST |
| 14 | 7.303-108.0 | Screw 5x20 -10.9-R2R (In6Rd) | 1.000 | ST |
| 15 | 6.389-811.0 | High pressure hose | 1.000 | ST |
| 16 | 6.401-429.0 | Sphere polyamide 8mm | 1.000 | ST |

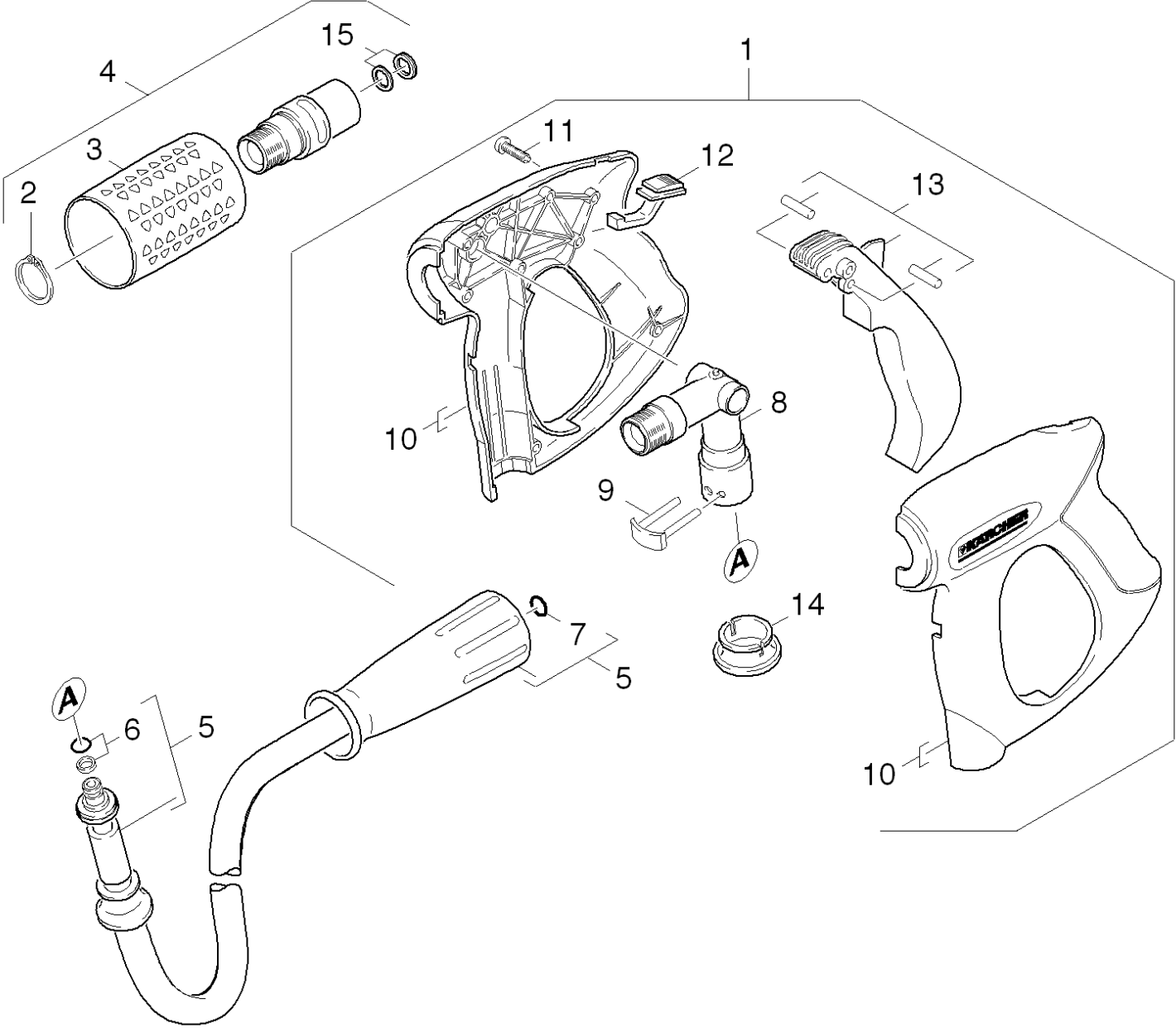


10 Safety valve complete replacement (4.580-709.0)

| POS | Article no. | Description | Quantity | Unit |
|------------|--------------------|-------------------------|-----------------|-------------|
| 3 | 6.401-429.0 | Sphere polyamide 8mm | 1.000 | ST |
| 8 | 6.362-845.0 | O-Ring seal 10,82x 1,78 | 1.000 | ST |

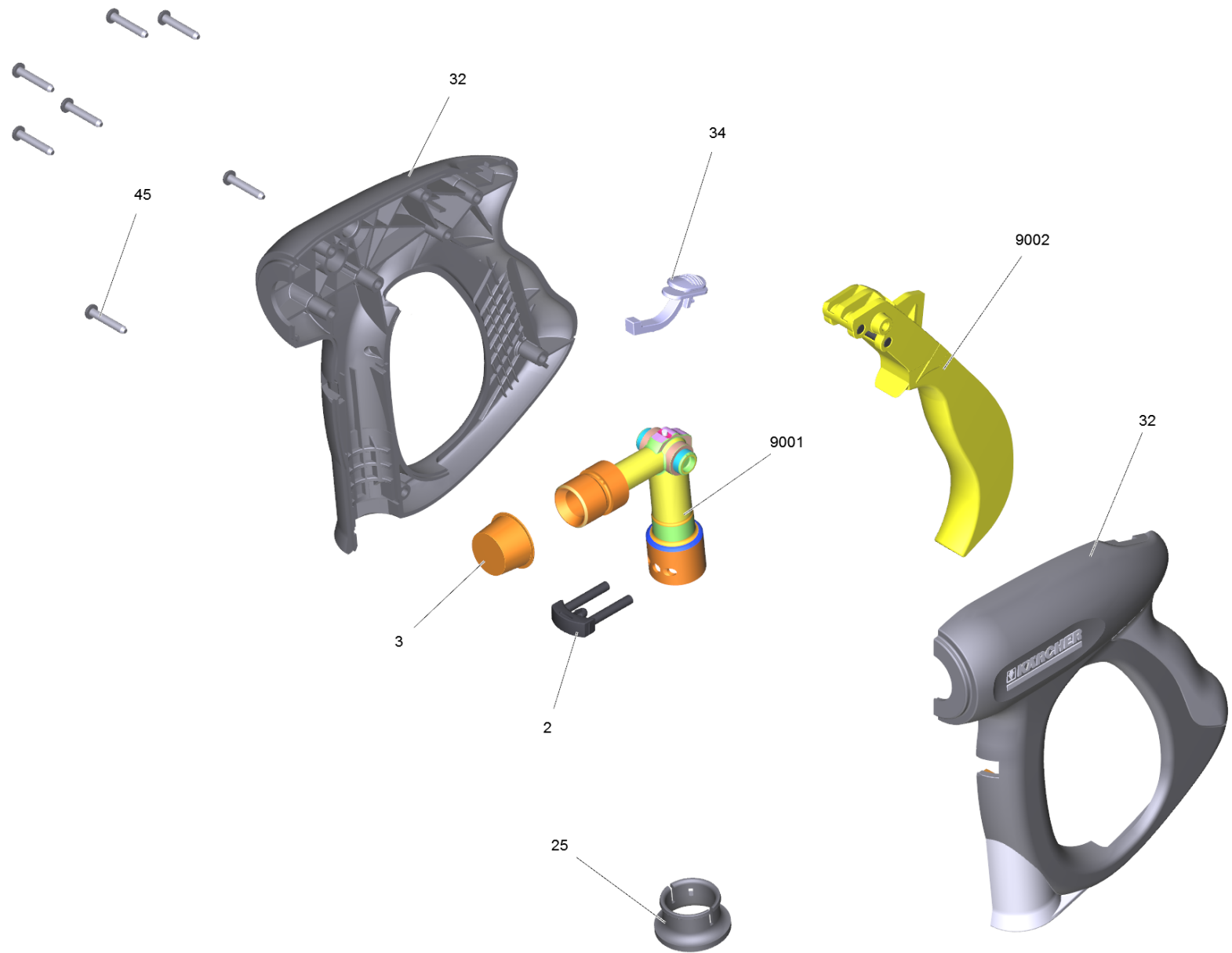
100 Accessories

| POS | Description | Quantity | Unit |
|------------|--------------------|-----------------|-------------|
| 101 | Hand trigger gun | 1.000 | ST |
| 102 | Hand trigger gun | 1.000 | ST |
| 103 | Jet pipe | 1.000 | ST |



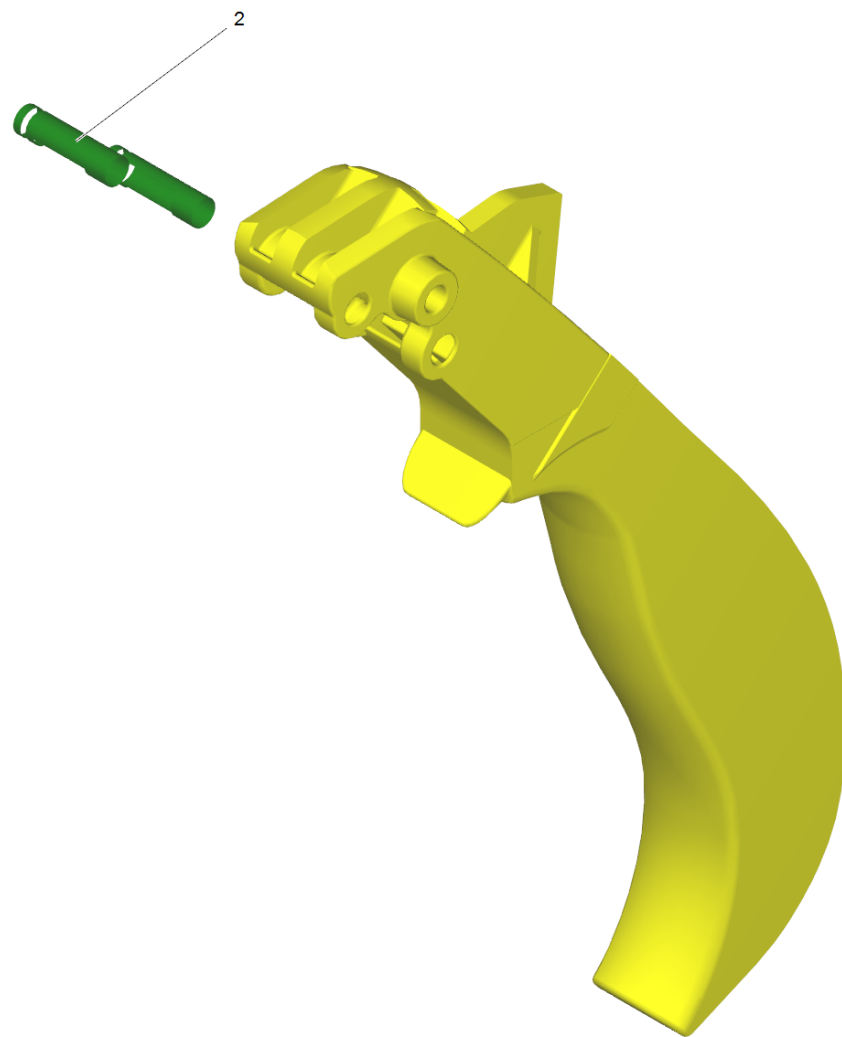
101 Hand trigger gun

| POS | Article no. | Description | Quantity | Unit |
|-----|-------------|--|----------|------|
| 1 | 4.775-463.0 | HAND TRIGGER GUN EASY PRESS | 1.000 | ST |
| 2 | 7.343-008.0 | Locking ring 25x1,2-St-vz DIN 471 | 1.000 | ST |
| 3 | 5.321-668.0 | Handle | 1.000 | ST |
| 4 | 4.775-470.0 | Rotary controller 416L | 1.000 | ST |
| 5 | 6.391-351.0 | Hose assembly only for replacement DN8 4 | 1.000 | ST |
| 6 | 4.363-691.0 | O-Ring seal kpl. -nur fuer Ersatz- | 1.000 | ST |
| 7 | 2.880-990.0 | Spare part set O-Ring 5x -Kaercher | 1.000 | ST |
| 8 | 4.427-215.0 | Manifold complete only for replacement | 1.000 | ST |
| 9 | 4.037-013.0 | Hook | 1.000 | ST |
| 10 | 5.321-669.3 | Handhold few | 1.000 | ST |
| 11 | 7.303-096.0 | Screw 4x22 -ST-10.9-R2R (IN6RD) | 7.000 | ST |
| 12 | 5.481-331.0 | Slider | 1.000 | ST |
| 13 | 4.481-209.0 | Lever complete | 1.000 | ST |
| 14 | 5.110-596.0 | Sleeve | 1.000 | ST |
| 15 | 4.363-695.0 | Grooved ring only for replacement | 1.000 | ST |



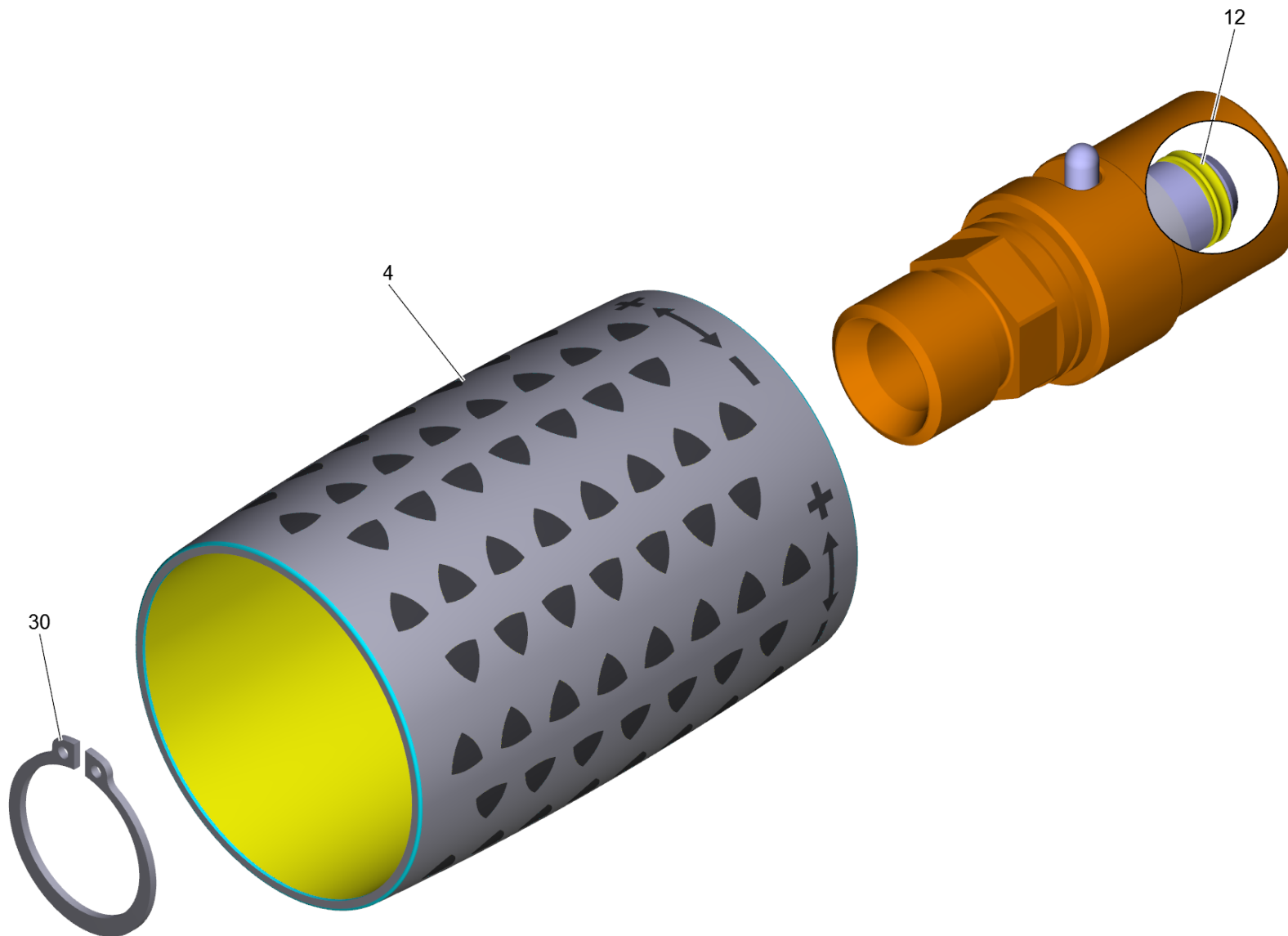
1 HAND TRIGGER GUN EASY PRESS (4.775-463.0)

| POS | Article no. | Description | Quantity | Unit |
|------|-------------|--|----------|------|
| 2 | 4.037-013.0 | Hook | 1.000 | ST |
| 3 | 6.368-012.0 | Protecting cap 22X1,5 | 1.000 | ST |
| 4 | 6.869-075.0 | Metal bonding agent 1,5 ml | 1.000 | ST |
| 25 | 5.110-596.0 | Sleeve | 1.000 | ST |
| 32 | 5.321-669.3 | Handhold few | 1.000 | ST |
| 34 | 5.481-331.0 | Slider | 1.000 | ST |
| 45 | 7.303-096.0 | Screw 4x22 -ST-10.9-R2R (IN6RD) | 7.000 | ST |
| 1041 | 6.288-044.0 | Silicon grease 100 G | 1.000 | ST |
| 9001 | 4.427-215.0 | Manifold complete only for replacement | 1.000 | ST |
| 9002 | 4.481-209.0 | Lever complete | 1.000 | ST |



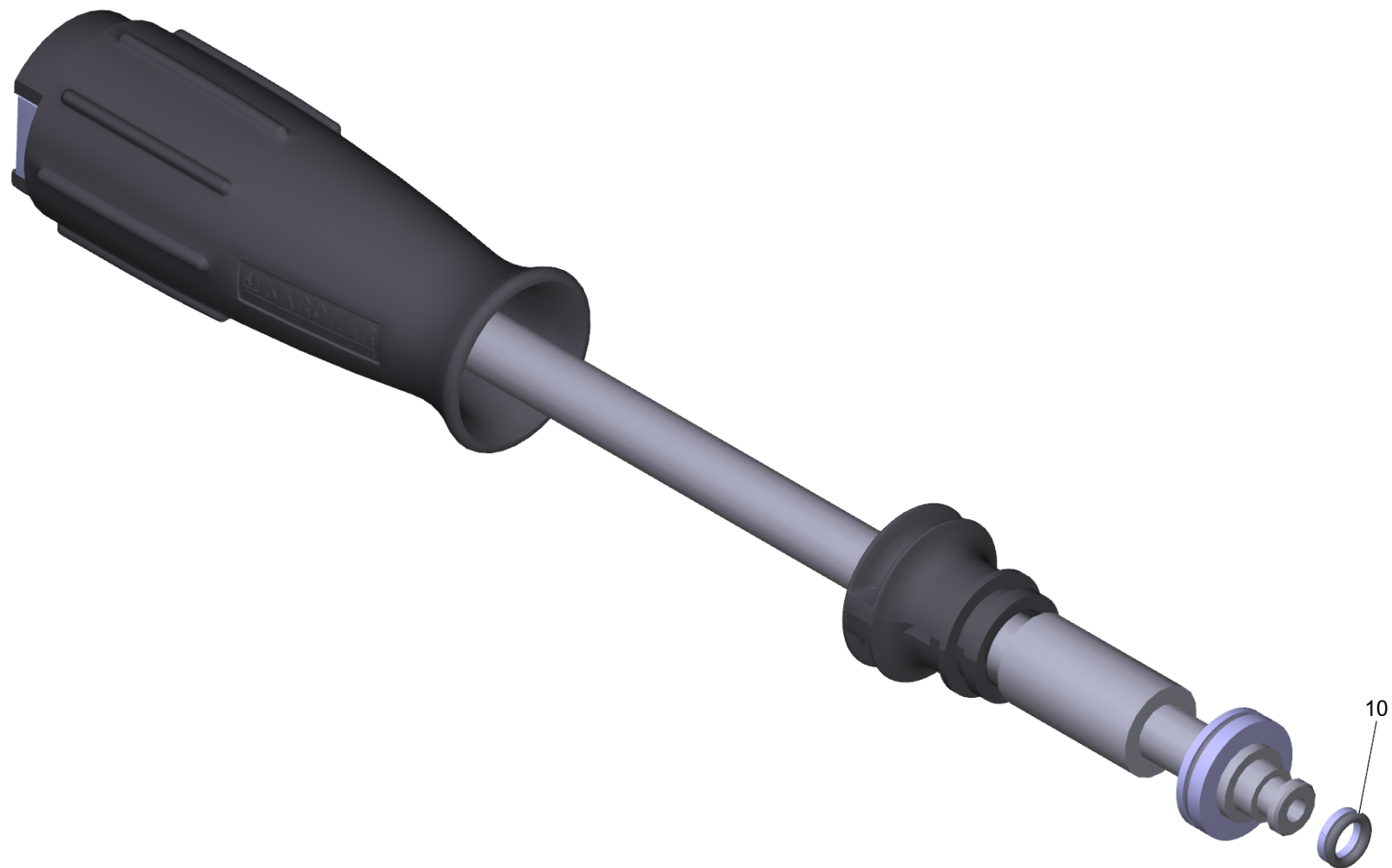
9002 Lever complete (4.481-209.0)

| POS | Article no. | Description | Quantity | Unit |
|-----|-------------|-------------|----------|------|
| 2 | 5.314-119.0 | Pin | 2.000 | ST |



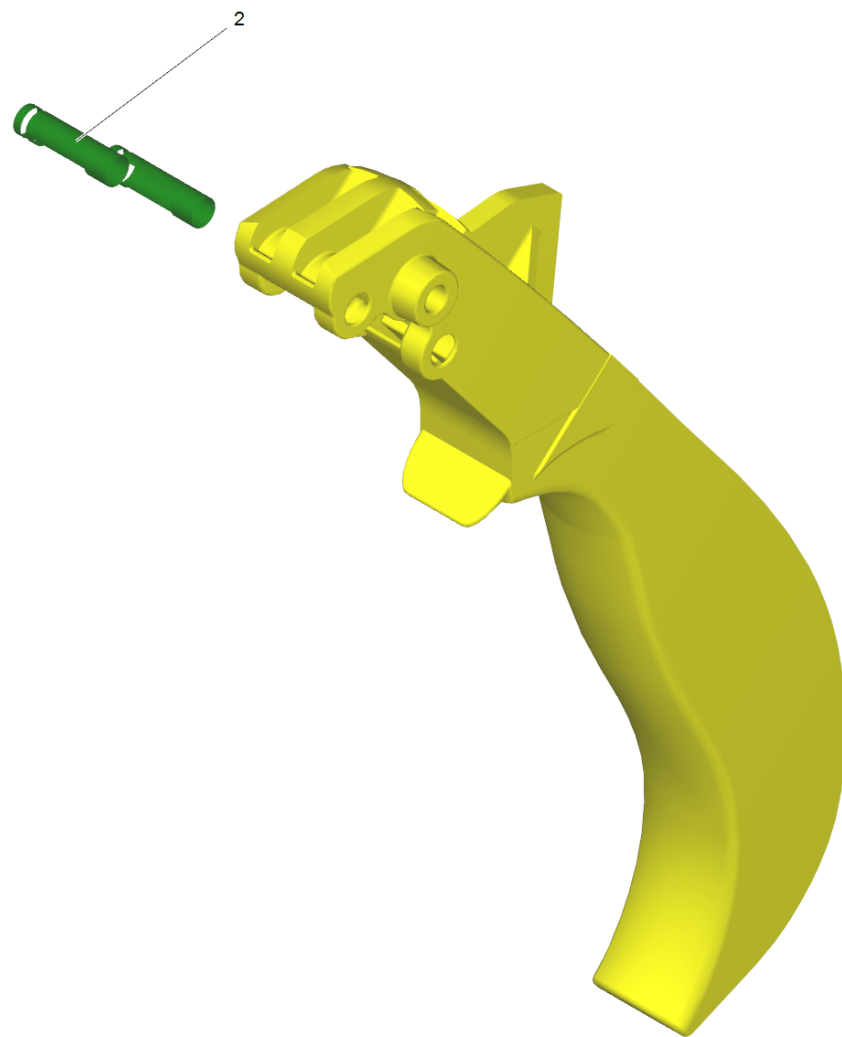
4 Rotary controller 416L (4.775-470.0)

| POS | Article no. | Description | Quantity | Unit |
|------------|--------------------|------------------------------------|-----------------|-------------|
| 4 | 5.321-668.0 | Handle | 1.000 | ST |
| 12 | 6.362-064.0 | Quad joint ring 9.19x2.62 | 1.000 | ST |
| 30 | 7.343-069.0 | Locking ring 25x1,2-1.4122 DIN 471 | 1.000 | ST |



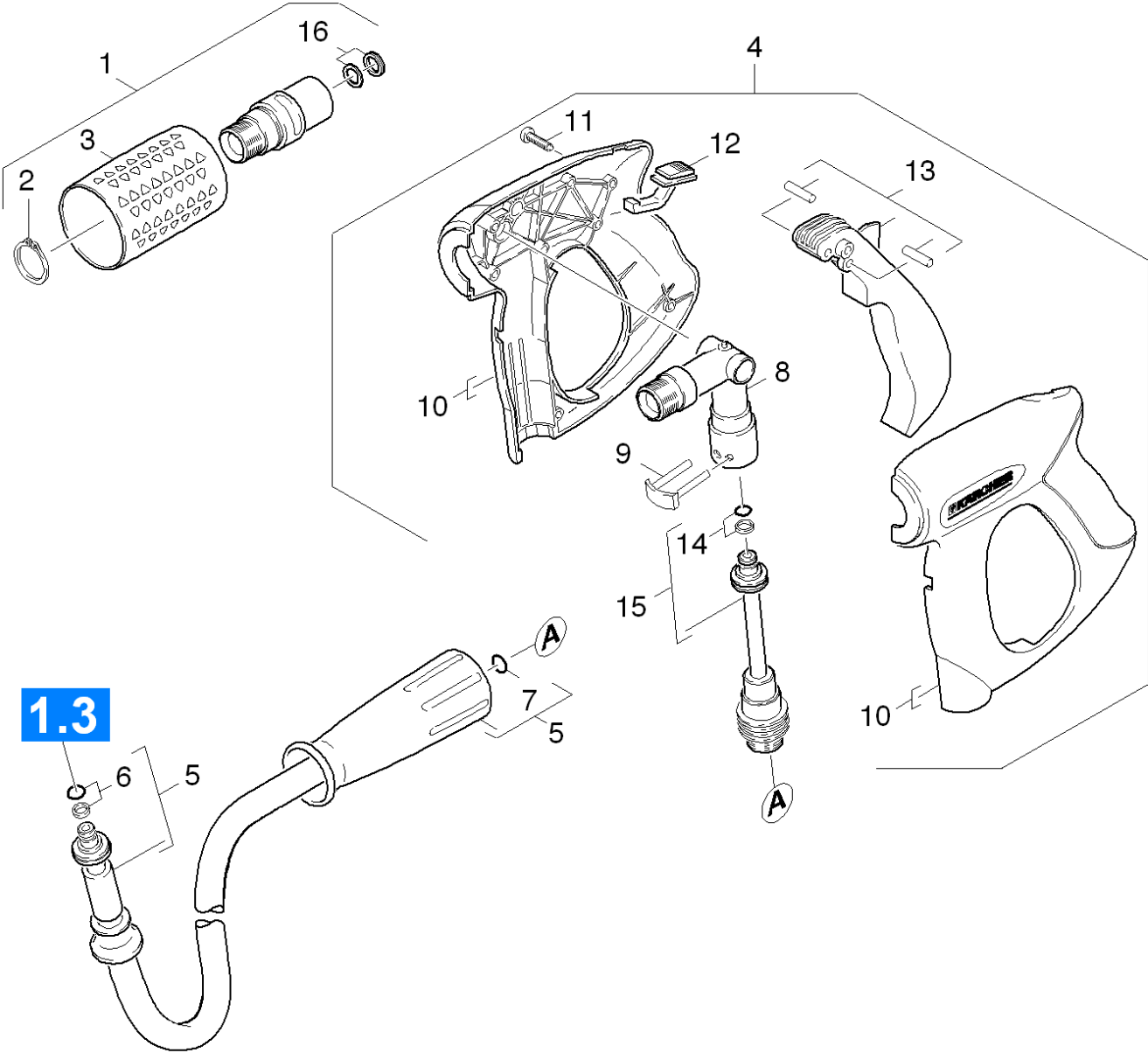
5 Hose assembly only for replacement DN8 4 (6.391-351.0)

| POS | Article no. | Description | Quantity | Unit |
|-----|-------------|------------------------------------|----------|------|
| 10 | 4.363-691.0 | O-Ring seal kpl. -nur fuer Ersatz- | 1.000 | ST |



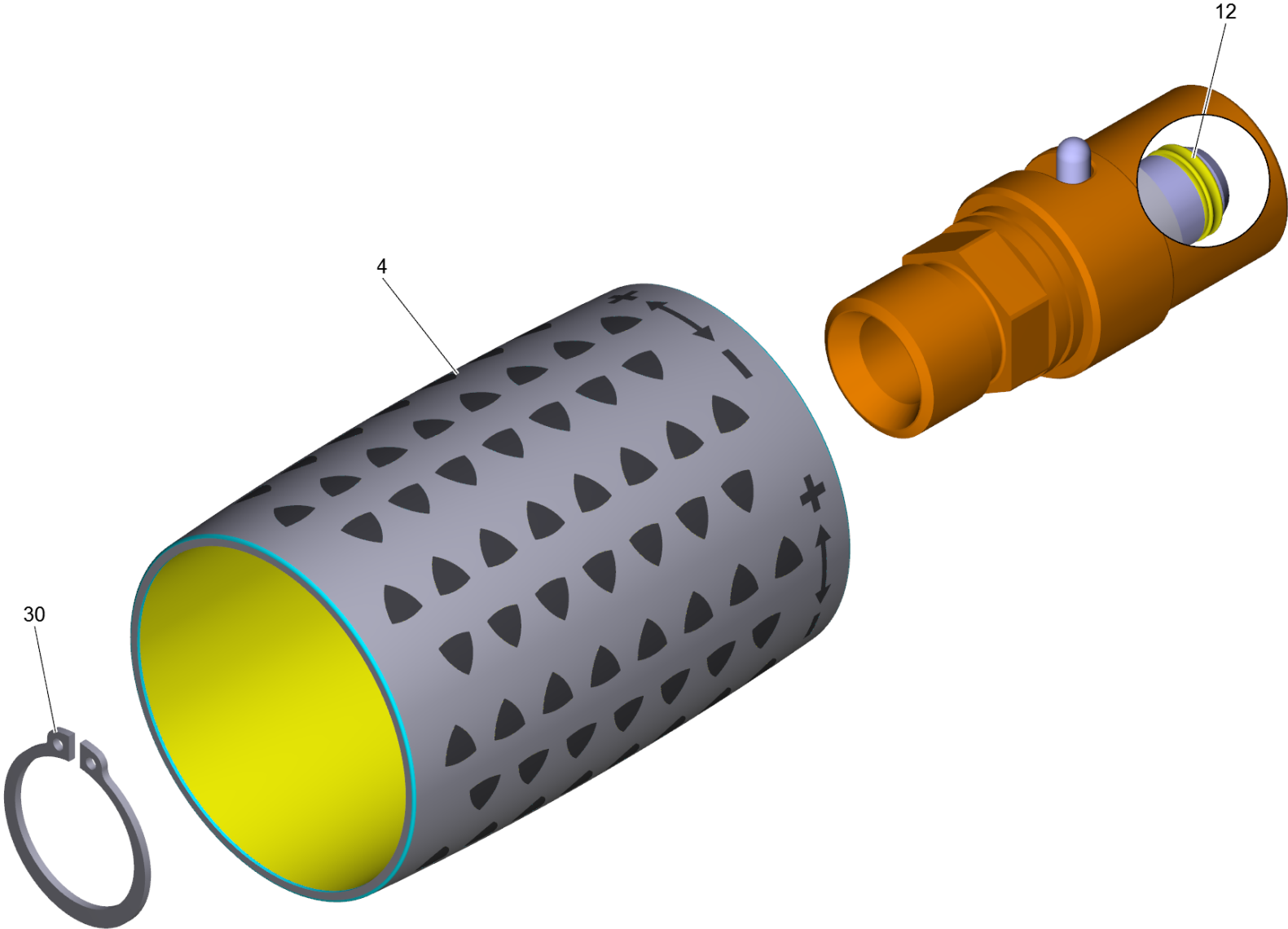
13 Lever complete (4.481-209.0)

| POS | Article no. | Description | Quantity | Unit |
|------------|--------------------|--------------------|-----------------|-------------|
| 2 | 5.314-119.0 | Pin | 2.000 | ST |



102 Hand trigger gun

| POS | Article no. | Description | Quantity | Unit |
|-----|-------------|--|----------|------|
| 1 | 4.775-470.0 | Rotary controller 416L | 1.000 | ST |
| 2 | 7.343-008.0 | Locking ring 25x1,2-St-vz DIN 471 | 1.000 | ST |
| 3 | 5.321-668.0 | Handle | 1.000 | ST |
| 4 | 4.775-466.0 | Hand trigger gun | 1.000 | ST |
| 5 | 6.390-208.0 | Hose assembly DN8 40MPa 20m | 1.000 | ST |
| 6 | 4.363-691.0 | O-Ring seal kpl. -nur fuer Ersatz- | 1.000 | ST |
| 7 | 2.880-990.0 | Spare part set O-Ring 5x -Kaercher | 1.000 | ST |
| 8 | 4.427-215.0 | Manifold complete only for replacement | 1.000 | ST |
| 9 | 4.037-013.0 | Hook | 1.000 | ST |
| 10 | 5.321-669.3 | Handhold few | 1.000 | ST |
| 11 | 7.303-096.0 | Screw 4x22 -ST-10.9-R2R (IN6RD) | 7.000 | ST |
| 12 | 5.481-331.0 | Slider | 1.000 | ST |
| 13 | 4.481-209.0 | Lever complete | 1.000 | ST |
| 14 | 4.363-691.0 | O-Ring seal kpl. -nur fuer Ersatz- | 1.000 | ST |
| 15 | 4.421-739.3 | Adapter pipelines AVS-M22x1,5 | 1.000 | ST |
| 16 | 4.363-695.0 | Grooved ring only for replacement | 1.000 | ST |



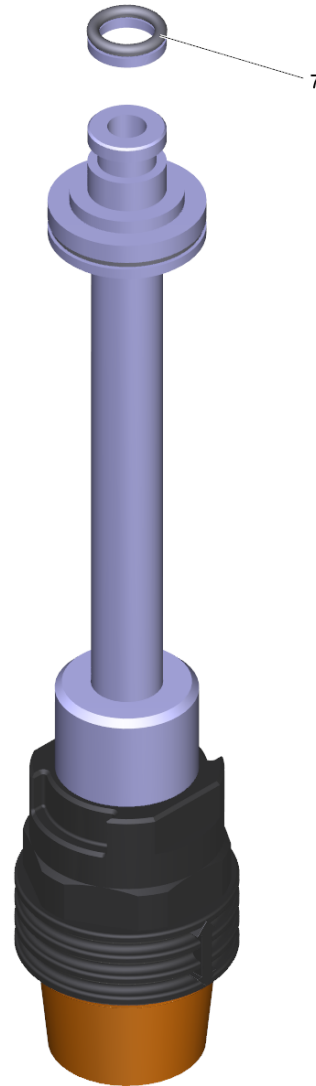
1 Rotary controller 416L (4.775-470.0)

| POS | Article no. | Description | Quantity | Unit |
|------------|--------------------|------------------------------------|-----------------|-------------|
| 4 | 5.321-668.0 | Handle | 1.000 | ST |
| 12 | 6.362-064.0 | Quad joint ring 9.19x2.62 | 1.000 | ST |
| 30 | 7.343-069.0 | Locking ring 25x1,2-1.4122 DIN 471 | 1.000 | ST |



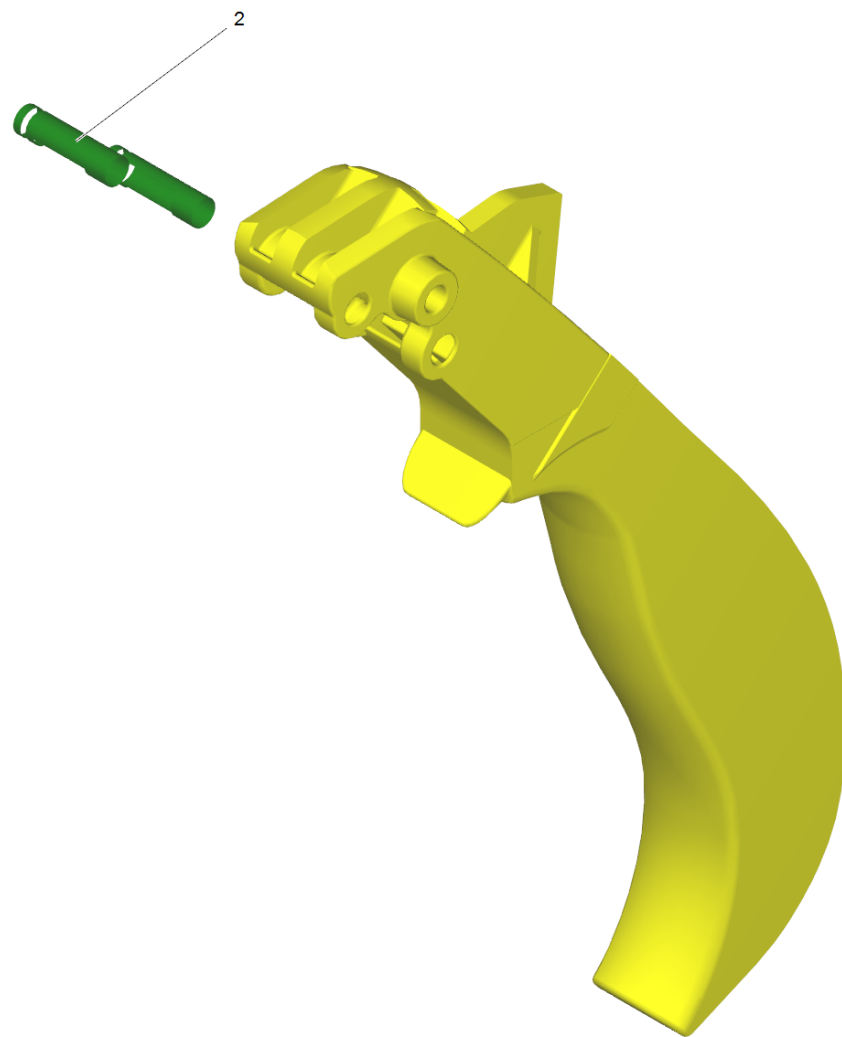
4 Hand trigger gun (4.775-466.0)

| POS | Article no. | Description | Quantity | Unit |
|------------|--------------------|--|-----------------|-------------|
| 2 | 4.037-013.0 | Hook | 1.000 | ST |
| 32 | 5.321-669.3 | Handhold few | 1.000 | ST |
| 34 | 5.481-331.0 | Slider | 1.000 | ST |
| 45 | 7.303-096.0 | Screw 4x22 -ST-10.9-R2R (IN6RD) | 7.000 | ST |
| 60 | 4.421-739.3 | Adapter pipelines AVS-M22x1,5 | 1.000 | ST |
| 9001 | 4.427-215.0 | Manifold complete only for replacement | 1.000 | ST |
| 9002 | 4.481-209.0 | Lever complete | 1.000 | ST |



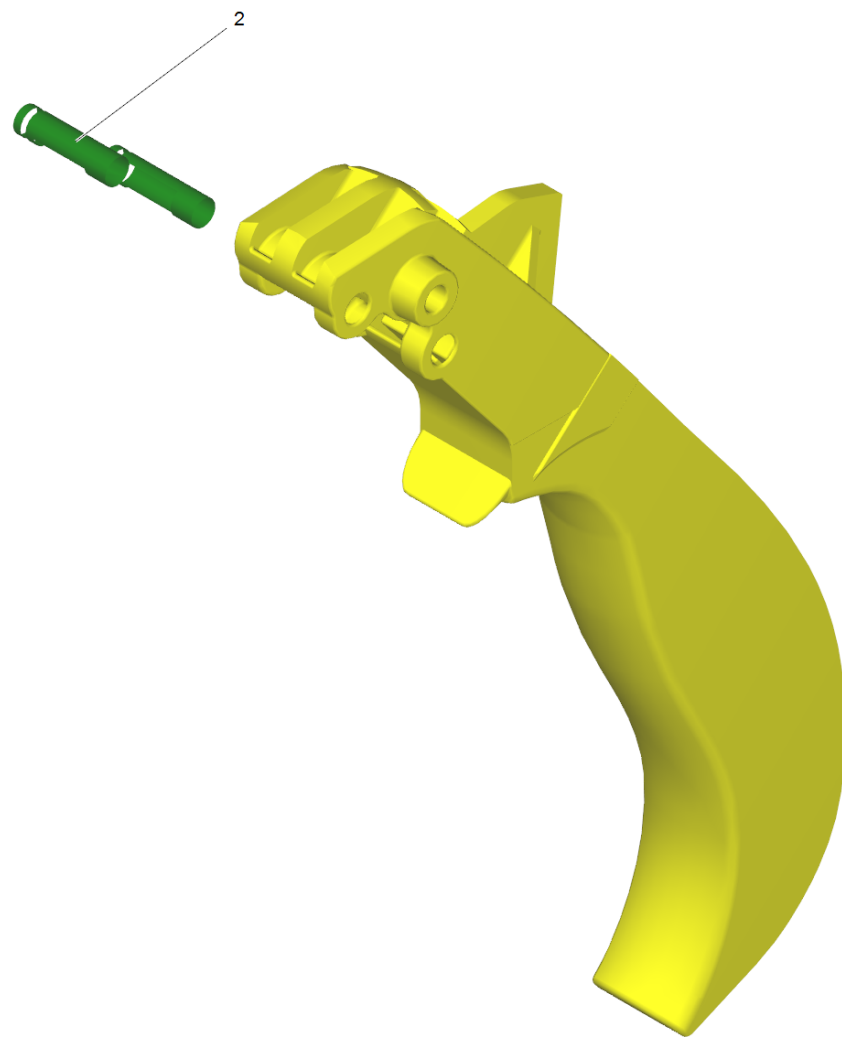
60 Adapter pipelines AVS-M22x1,5 (4.421-739.3)

| POS | Article no. | Description | Quantity | Unit |
|-----|-------------|------------------------------------|----------|------|
| 7 | 4.363-691.0 | O-Ring seal kpl. -nur fuer Ersatz- | 1.000 | ST |



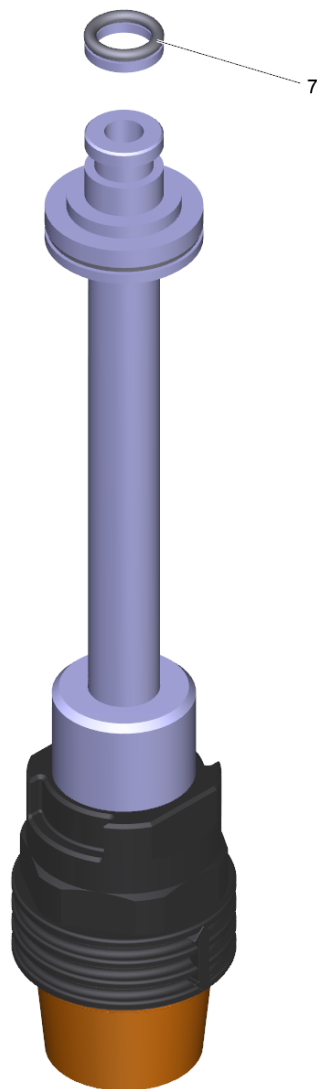
9002 Lever complete (4.481-209.0)

| POS | Article no. | Description | Quantity | Unit |
|------------|--------------------|--------------------|-----------------|-------------|
| 2 | 5.314-119.0 | Pin | 2.000 | ST |



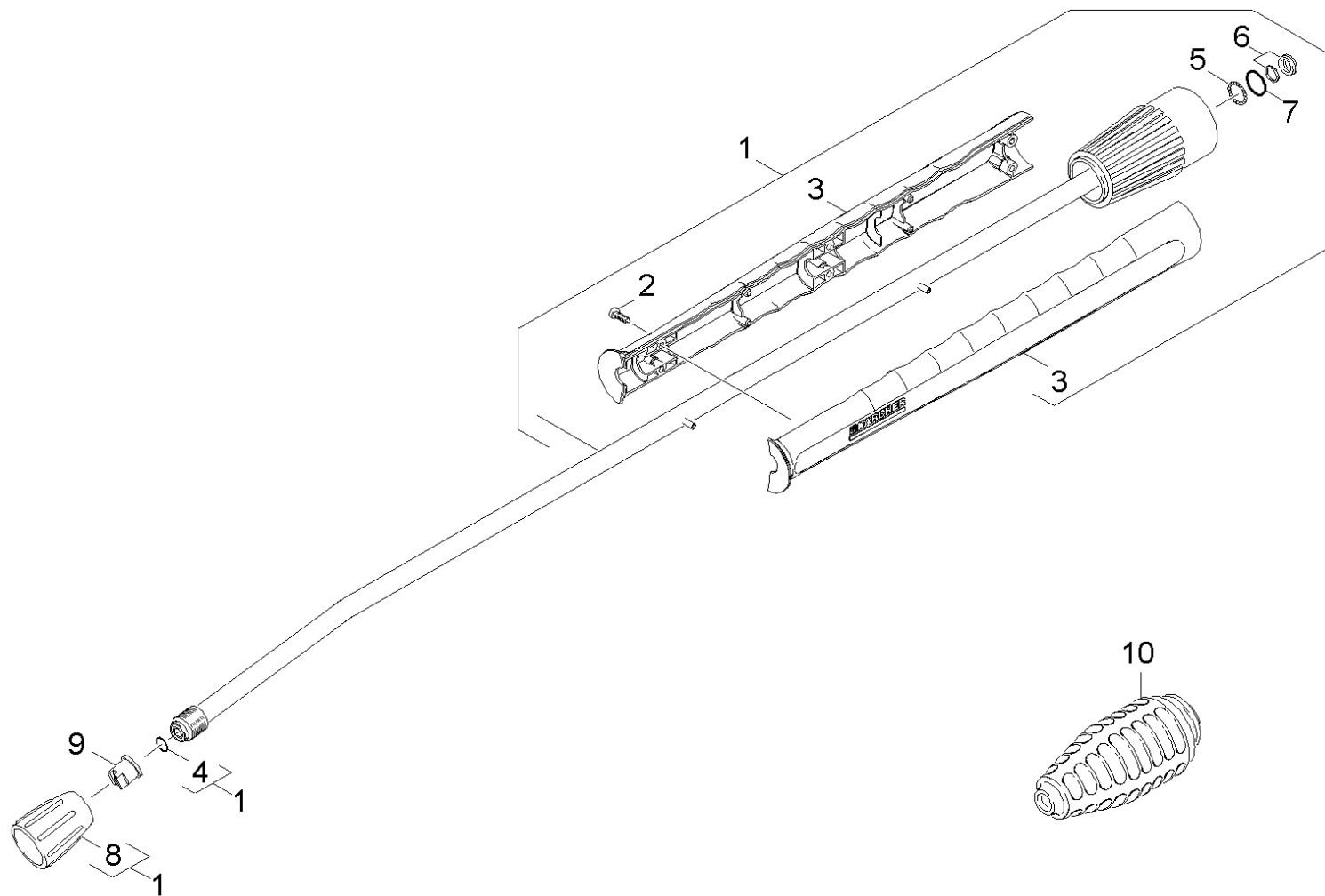
13 Lever complete (4.481-209.0)

| POS | Article no. | Description | Quantity | Unit |
|-----|-------------|-------------|----------|------|
| 2 | 5.314-119.0 | Pin | 2.000 | ST |



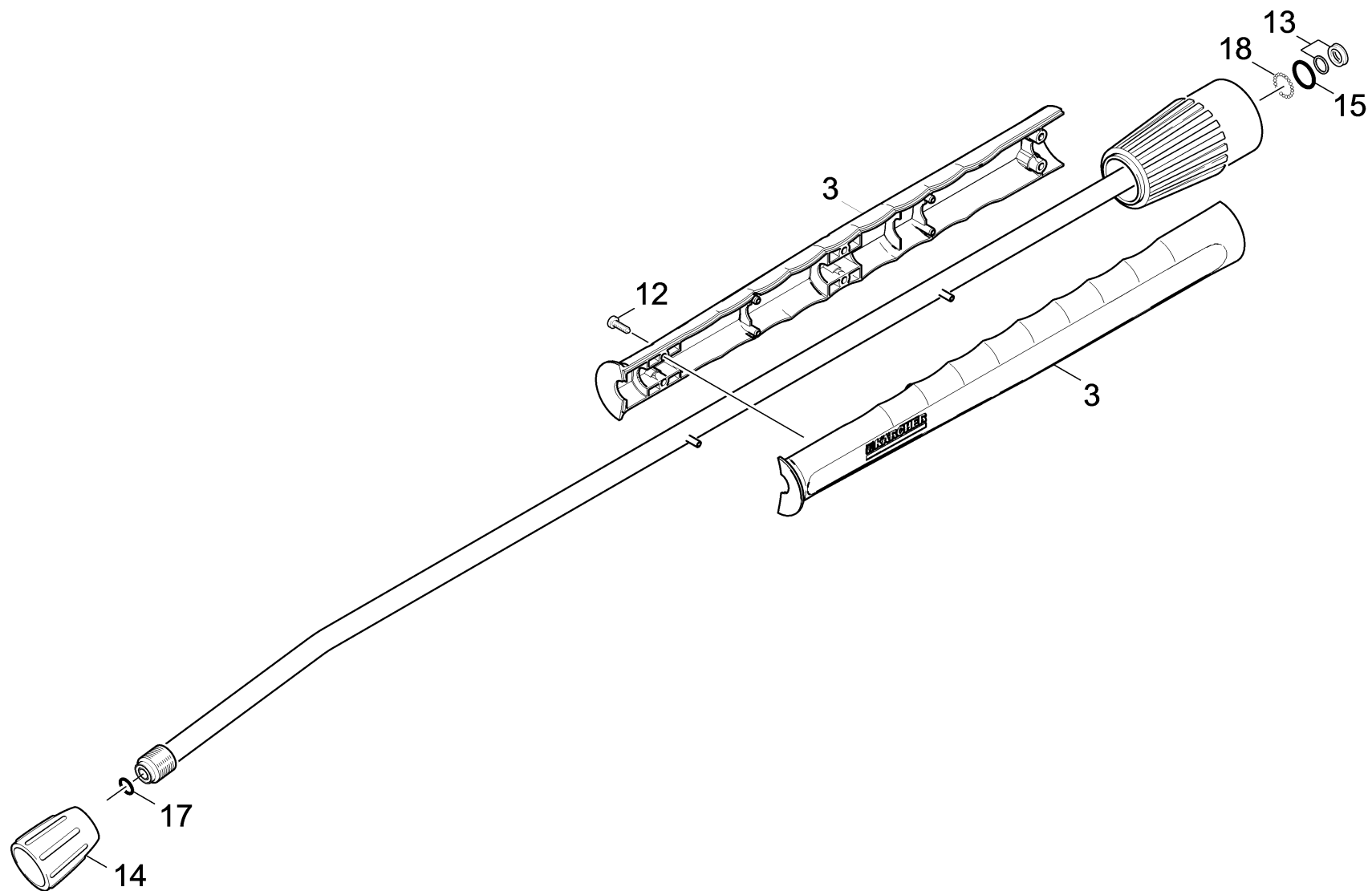
15 Adapter pipelines AVS-M22x1,5 (4.421-739.3)

| POS | Article no. | Description | Quantity | Unit |
|-----|-------------|------------------------------------|----------|------|
| 7 | 4.363-691.0 | O-Ring seal kpl. -nur fuer Ersatz- | 1.000 | ST |



103 Jet pipe

| POS | Article no. | Description | Quantity | Unit |
|-----|--------------------------------|---|----------|------|
| 1 | 4.760-660.0 | Jet pipe packaged only for replacement | 1.000 | ST |
| 2 | 7.303-129.0 | Screw 4x16 -10.9-R2R (K-In6Rd) | 6.000 | ST |
| 3 | 5.321-855.0 | Handhold few jet pipe with welding bolt | 1.000 | ST |
| 4 | 2.880-990.0 | Spare part set O-Ring 5x -Kaercher | 1.000 | ST |
| 5 | 7.401-915.0 | Sphere 2,5 G40 -1.4034 DIN 5401 | 20.000 | ST |
| 6 | 4.363-692.0 | Grooved ring kpl. -nur fuer Ersatz- | 1.000 | ST |
| 7 | 6.362-524.0 | O-Ring seal 17,0 X 1,5 | 1.000 | ST |
| 8 | 5.401-210.0 | Screw connector part | 1.000 | ST |
| 9 | 2.885-041.0 | Steam nozzle 40070 | 1.000 | ST |
| 9 | 2.883-927.0 | Power nozzle 25054 | 1.000 | ST |
| 10 | 4.763-250.0 | Dirt blaster 055/06 | 1.000 | ST |
| | Item text1: 1.071-455.0 | | | |



1 Jet pipe packaged only for replacement (4.760-660.0)

| POS | Article no. | Description | Quantity | Unit |
|-----|-------------|---|----------|------|
| 3 | 5.321-855.0 | Handhold few jet pipe with welding bolt | 1.000 | ST |
| 12 | 7.303-129.0 | Screw 4x16 -10.9-R2R (K-In6Rd) | 6.000 | ST |
| 13 | 4.363-692.0 | Grooved ring kpl. -nur fuer Ersatz- | 1.000 | ST |
| 14 | 5.401-210.0 | Screw connector part | 1.000 | ST |
| 15 | 6.362-524.0 | O-Ring seal 17,0 X 1,5 | 1.000 | ST |
| 17 | 2.880-990.0 | Spare part set O-Ring 5x -Kaercher | 1.000 | ST |
| 18 | 7.401-915.0 | Sphere 2,5 G40 -1.4034 DIN 5401 | 1.000 | ST |

14 Screw connector part (5.401-210.0)

| POS | Description | Quantity | Unit |
|-----|----------------------|----------|------|
| 10 | SCREW CONNECTOR PART | 1.000 | ST |

8 Screw connector part (5.401-210.0)

| POS | Description | Quantity | Unit |
|-----|----------------------|----------|------|
| 10 | SCREW CONNECTOR PART | 1.000 | ST |

9 Power nozzle 25054 (2.883-927.0)

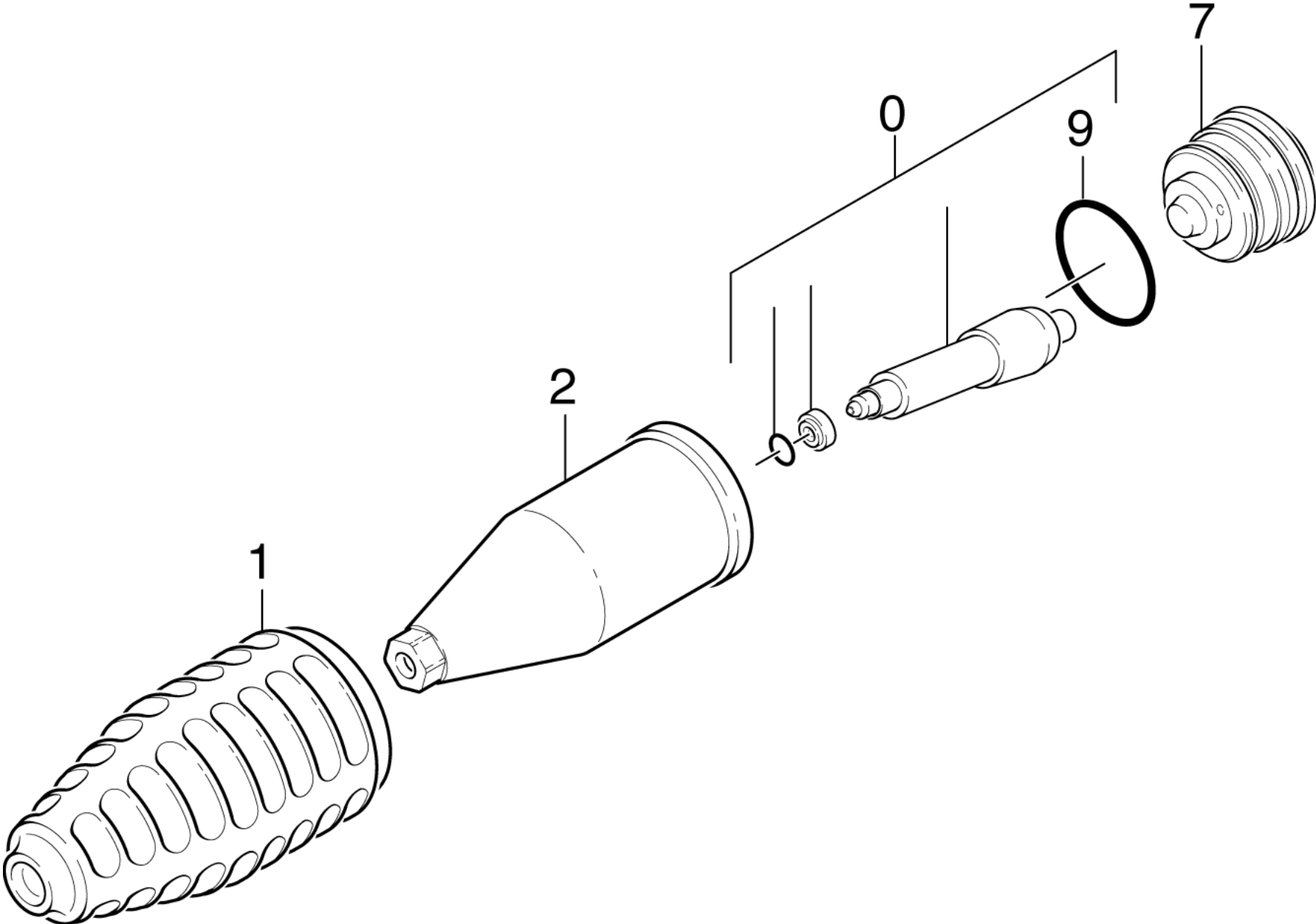
| POS | Article no. | Description | Quantity | Unit |
|-----|-------------|-----------------------------------|----------|------|
| 2 | 7.362-501.0 | O-Ring seal 10x2 EPDM 70 DIN 3770 | 1.000 | ST |

10 Dirt blaster 055/06 (4.763-250.0)

| POS | Article no. | Description | Quantity | Unit |
|-----|-------------|-------------------------------|----------|------|
| 11 | 5.955-641.0 | Spare parts list dirt blaster | 1.000 | ST |

11 Spare parts list dirt blaster (5.955-641.0)

| POS | Description | Quantity | Unit |
|------------|--------------------|-----------------|-------------|
| 10 | Dirt blaster | 1.000 | ST |

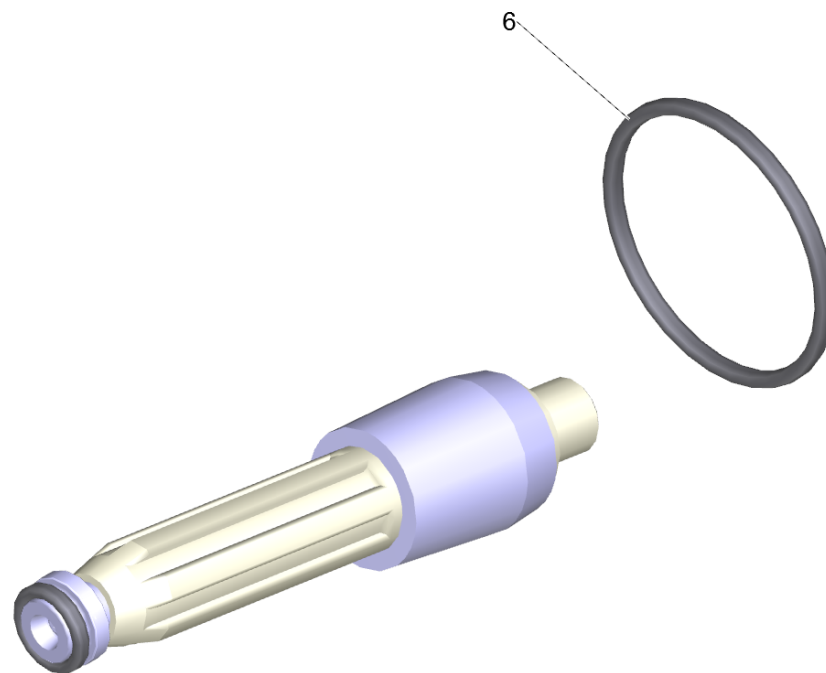


10 Dirt blaster

| POS | Article no. | Description | Quantity | Unit | Remark |
|-----|-------------|---|----------|------|---------------------------|
| 0 | 2.884-113.0 | Spare part set dirt blaster 045 | 1.000 | ST | 4.763-988.0 |
| | | Item text1: / 4.763-988.0 | | | |
| 0 | 2.884-052.0 | Spare part set dirt blaster 035 | 1.000 | ST | 4.763-931.0 |
| | | Item text1: / 4.763-931.0 | | | |
| 0 | 2.884-114.0 | Spare part set dirt blaster 065 | 1.000 | ST | 4.763-989.0 |
| | | Item text1: / 4.763-989.0 | | | |
| 0 | 2.884-316.0 | Spare part set dirt blaster 09 | 1.000 | ST | |
| | | Item text1: / 4.767-076.0 | | | |
| 0 | 2.881-025.0 | Spare part set rotor 170 | 1.000 | ST | 4.764-201.0 |
| 0 | 2.884-051.0 | Spare part set dirt blaster 120 | 1.000 | ST | 4.763-930.0 |
| | | Item text1: / 4.763-930.0 | | | |
| 0 | 2.885-196.0 | Spare parts set rotor 100 | 1.000 | ST | 4.764-208.0 |
| 0 | | Spare part set rotor 125 | 1.000 | ST | 4.764-204.0 |
| 0 | 2.883-471.0 | Spare part set dirt blaster 04-HD 1050 | 1.000 | ST | 4.763-252.0 |
| | | Item text1: / 4.763-252.0 | | | |
| 0 | 2.883-472.0 | Spare part set dirt blaster 05 | 1.000 | ST | 4.763-253.0 |
| | | Item text1: / 4.763-253.0 | | | |
| 0 | 2.883-473.0 | Spare part set dirt blaster 055/06 | 1.000 | ST | 4.763-250.0 |
| | | Item text1: / 4.763-250.0 | | | |
| 0 | 2.883-474.0 | Spare part set dirt blaster 07/08-HDS 8 | 1.000 | ST | 4.763-254.0 |
| | | Item text1: / 4.763-254.0 | | | |
| 1 | 5.394-375.0 | Protection part | 1.000 | ST | |
| 2 | 5.060-500.3 | Housing | 1.000 | ST | |
| 7 | 5.063-709.0 | Cover | 1.000 | ST | |
| | | Item text1: / 4.763-931.0 | | | |
| 7 | 5.064-357.0 | Cover high-pressure 25/15-4 | 1.000 | ST | 4.764-201.0 / 4.764-208.0 |
| 7 | | Cover high-pressure 20/15 | 1.000 | ST | 4.764-204.0 |
| 7 | 5.063-708.0 | Cover | 1.000 | ST | |
| | | Item text1: / 4.763-930.0 | | | |
| 7 | 5.063-618.0 | Cover DGR F 055/F 06 | 1.000 | ST | 4.763-250/-938 |
| | | Item text1: / 4.763-250.0 | | | |
| 7 | 5.063-626.0 | Cover DGR F 04 | 1.000 | ST | 4.763-252/-936 |
| | | Item text1: / 4.763-252.0 | | | |

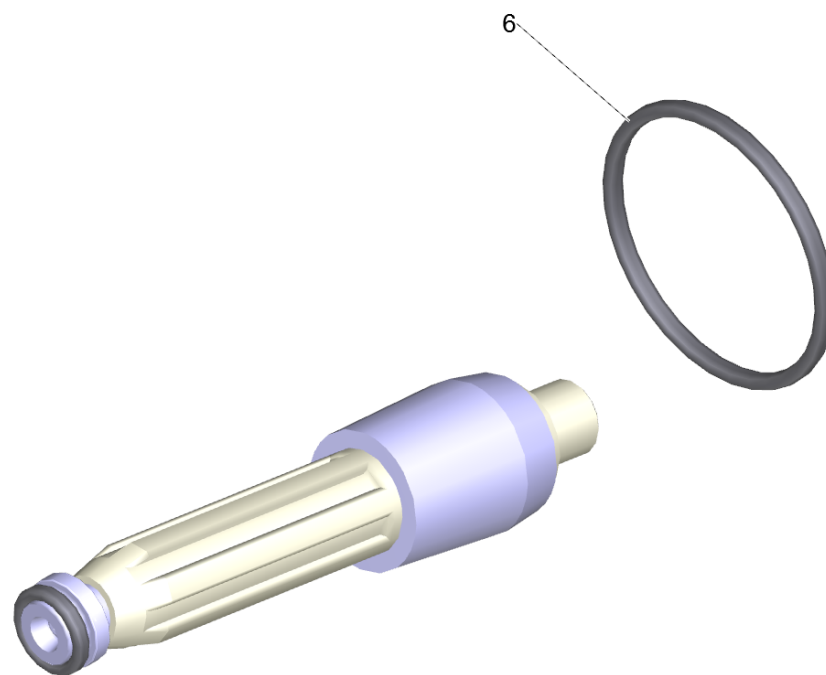
10 Dirt blaster

| POS | Article no. | Description | Quantity | Unit | Remark |
|-----|--|-------------------------------|----------|------|--------|
| 7 | 5.063-647.0 | Cover DGR F 05 | 1.000 | ST | |
| | Item text1: / 4.763-253.0 | | | | |
| 7 | 5.063-648.0 | Cover DGR F 70/F 08 | 1.000 | ST | |
| | Item text1: / 4.763-254.0 / 4.767-076.0 | | | | |
| 9 | 6.362-463.0 | O-Ring seal 28,0 X 2,0-NBR 78 | 1.000 | ST | |



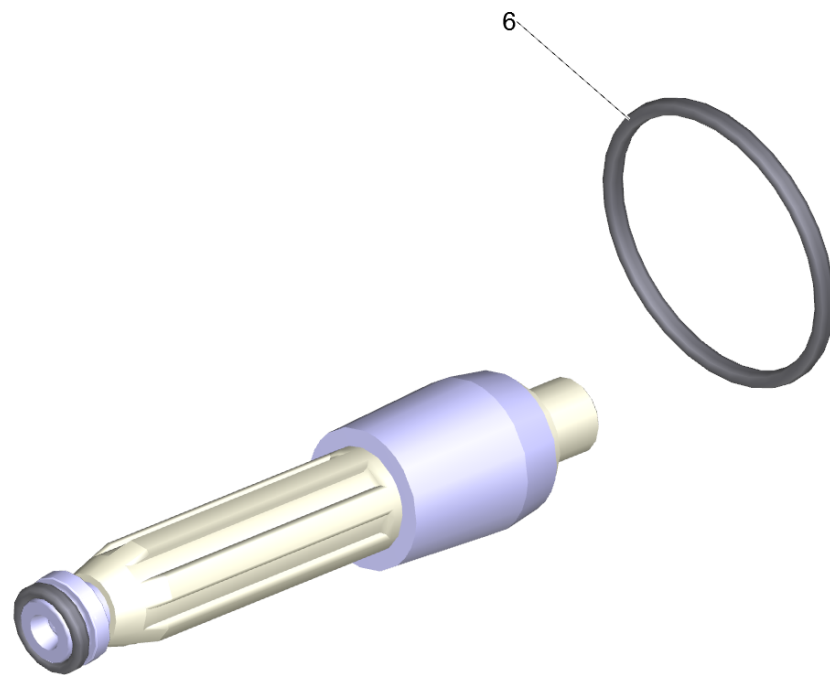
Spare part set rotor 170 (2.881-025.0)

| POS | Article no. | Description | Quantity | Unit |
|-----|-------------|-------------------------------|----------|------|
| 6 | 6.362-463.0 | O-Ring seal 28,0 X 2,0-NBR 78 | 1.000 | ST |



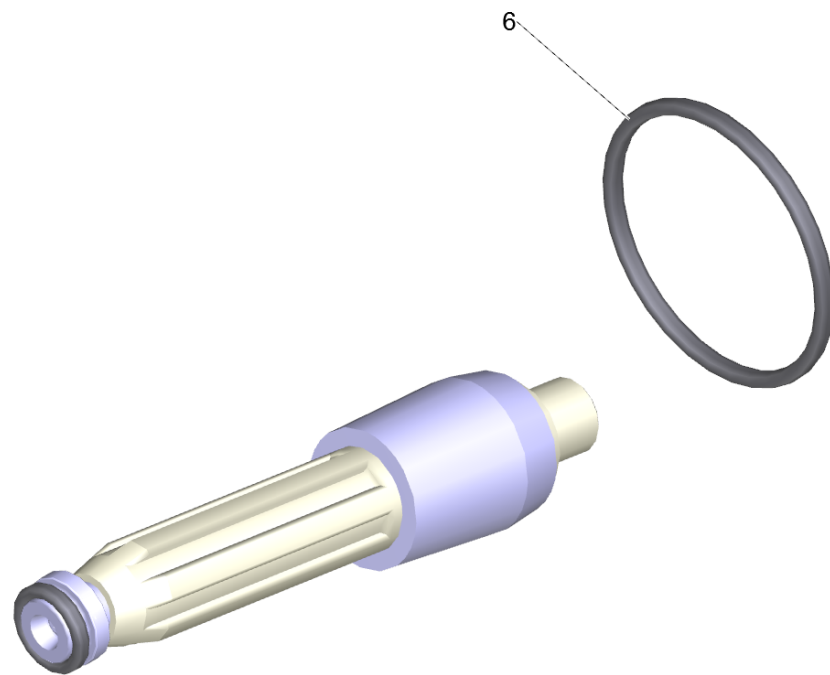
Spare part set dirt blaster 04-HD 1050 (2.883-471.0)

| POS | Article no. | Description | Quantity | Unit |
|-----|-------------|-------------------------------|----------|------|
| 6 | 6.362-463.0 | O-Ring seal 28,0 X 2,0-NBR 78 | 1.000 | ST |



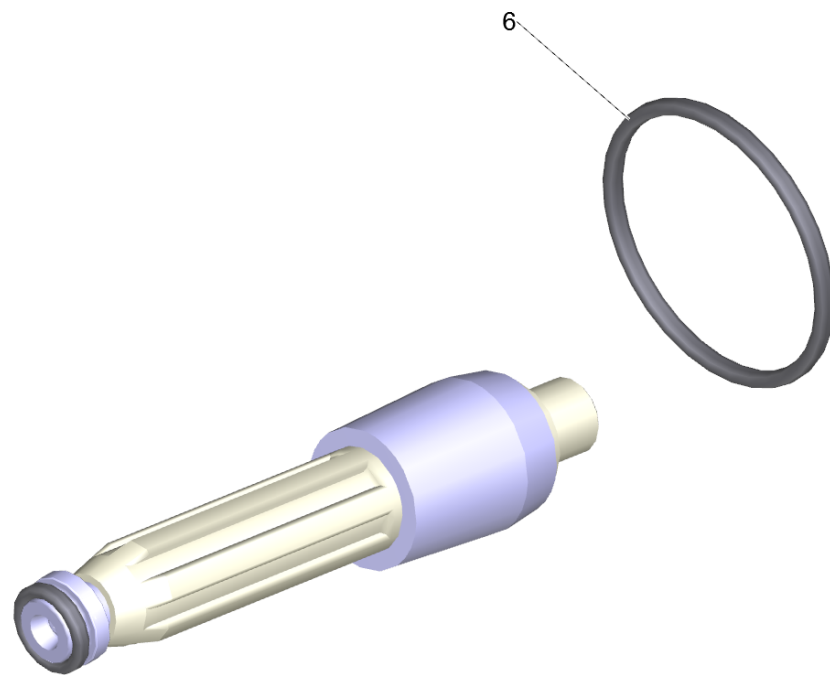
Spare part set dirt blaster 05 (2.883-472.0)

| POS | Article no. | Description | Quantity | Unit |
|------------|--------------------|-------------------------------|-----------------|-------------|
| 6 | 6.362-463.0 | O-Ring seal 28,0 X 2,0-NBR 78 | 1.000 | ST |



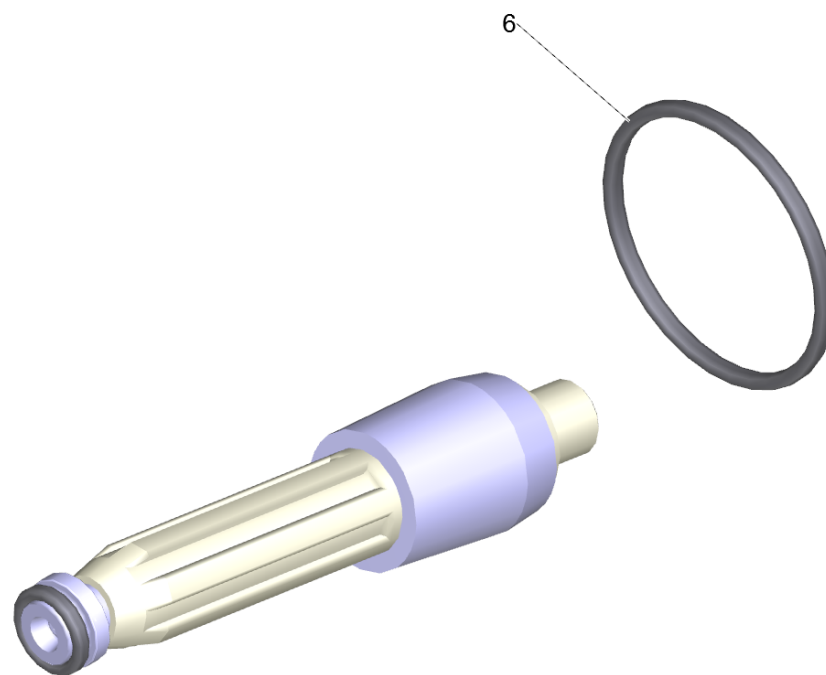
Spare part set dirt blaster 055/06 (2.883-473.0)

| POS | Article no. | Description | Quantity | Unit |
|-----|-------------|-------------------------------|----------|------|
| 6 | 6.362-463.0 | O-Ring seal 28,0 X 2,0-NBR 78 | 1.000 | ST |



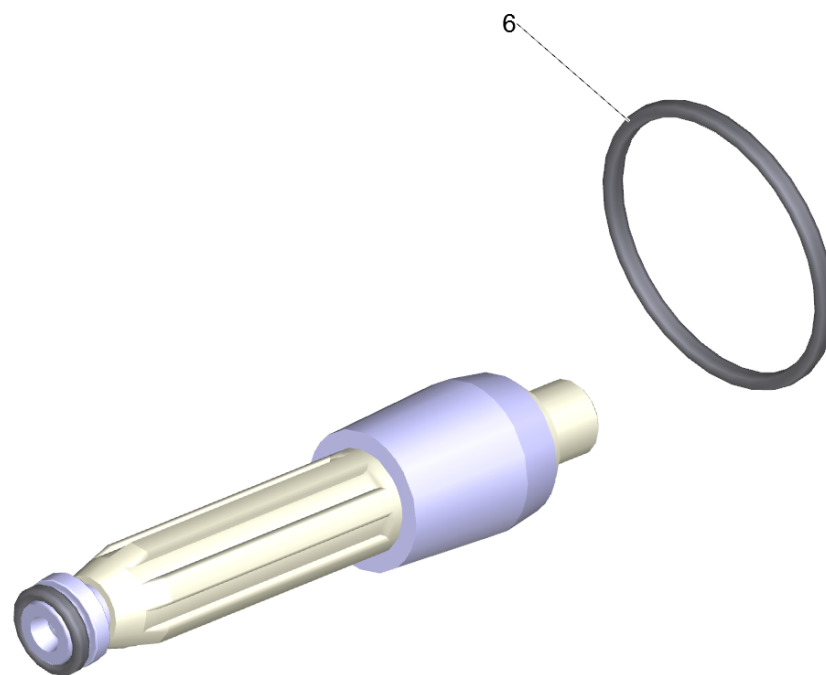
Spare part set dirt blaster 07/08-HDS 8 (2.883-474.0)

| POS | Article no. | Description | Quantity | Unit |
|-----|-------------|-------------------------------|----------|------|
| 6 | 6.362-463.0 | O-Ring seal 28,0 X 2,0-NBR 78 | 1.000 | ST |



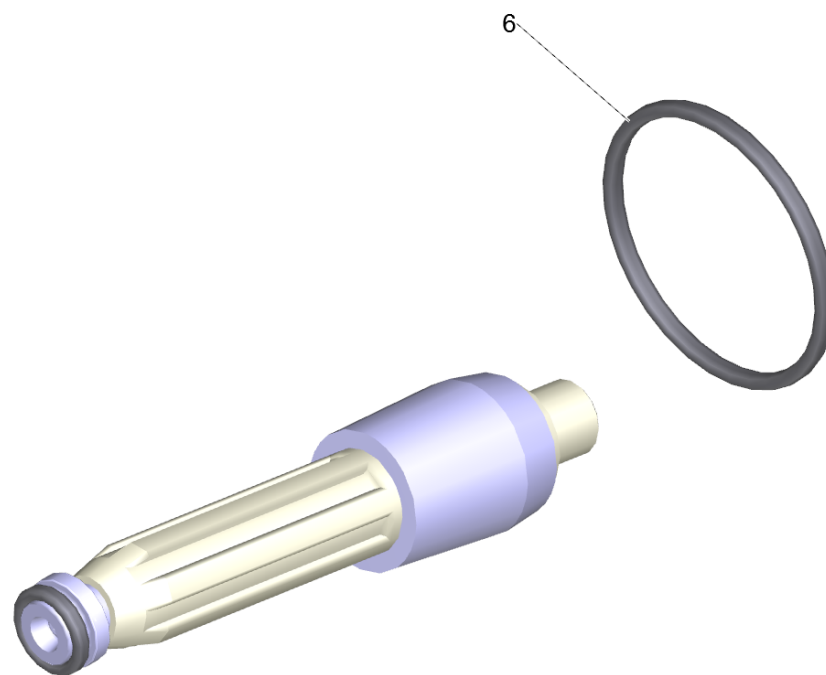
Spare part set dirt blaster 120 (2.884-051.0)

| POS | Article no. | Description | Quantity | Unit |
|-----|-------------|-------------------------------|----------|------|
| 6 | 6.362-463.0 | O-Ring seal 28,0 X 2,0-NBR 78 | 1.000 | ST |



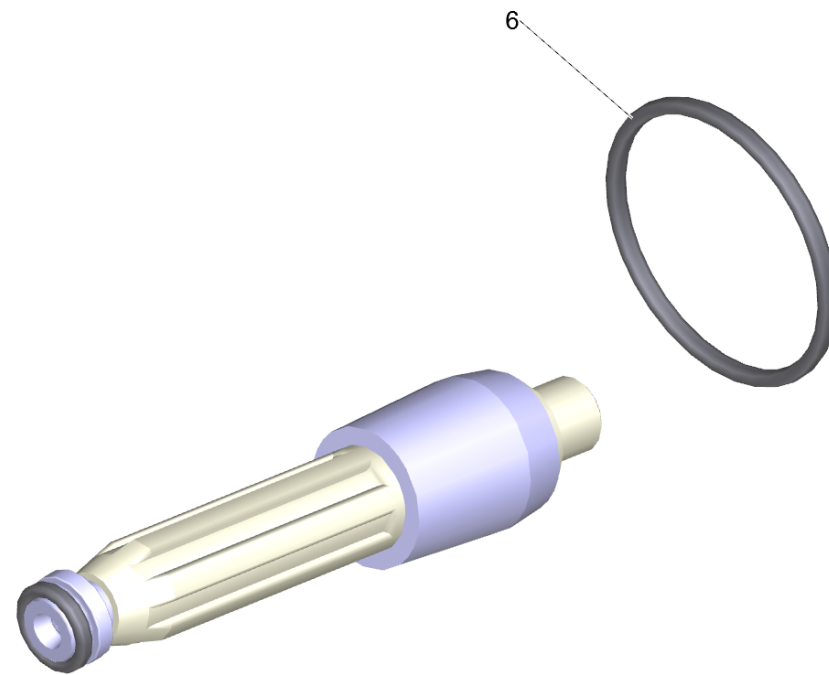
Spare part set dirt blaster 035 (2.884-052.0)

| POS | Article no. | Description | Quantity | Unit |
|-----|-------------|-------------------------------|----------|------|
| 6 | 6.362-463.0 | O-Ring seal 28,0 X 2,0-NBR 78 | 1.000 | ST |



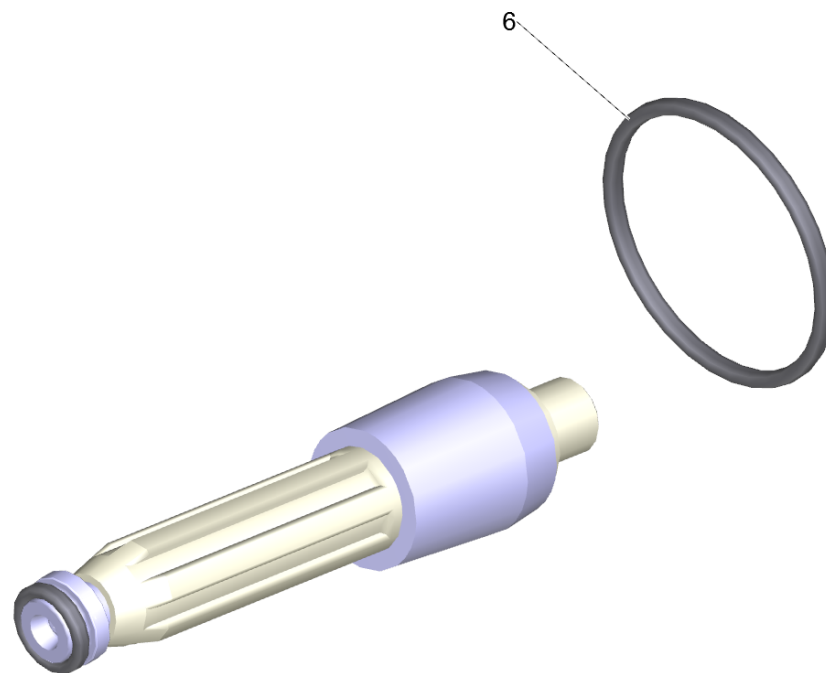
Spare part set dirt blaster 045 (2.884-113.0)

| POS | Article no. | Description | Quantity | Unit |
|-----|-------------|-------------------------------|----------|------|
| 6 | 6.362-463.0 | O-Ring seal 28,0 X 2,0-NBR 78 | 1.000 | ST |



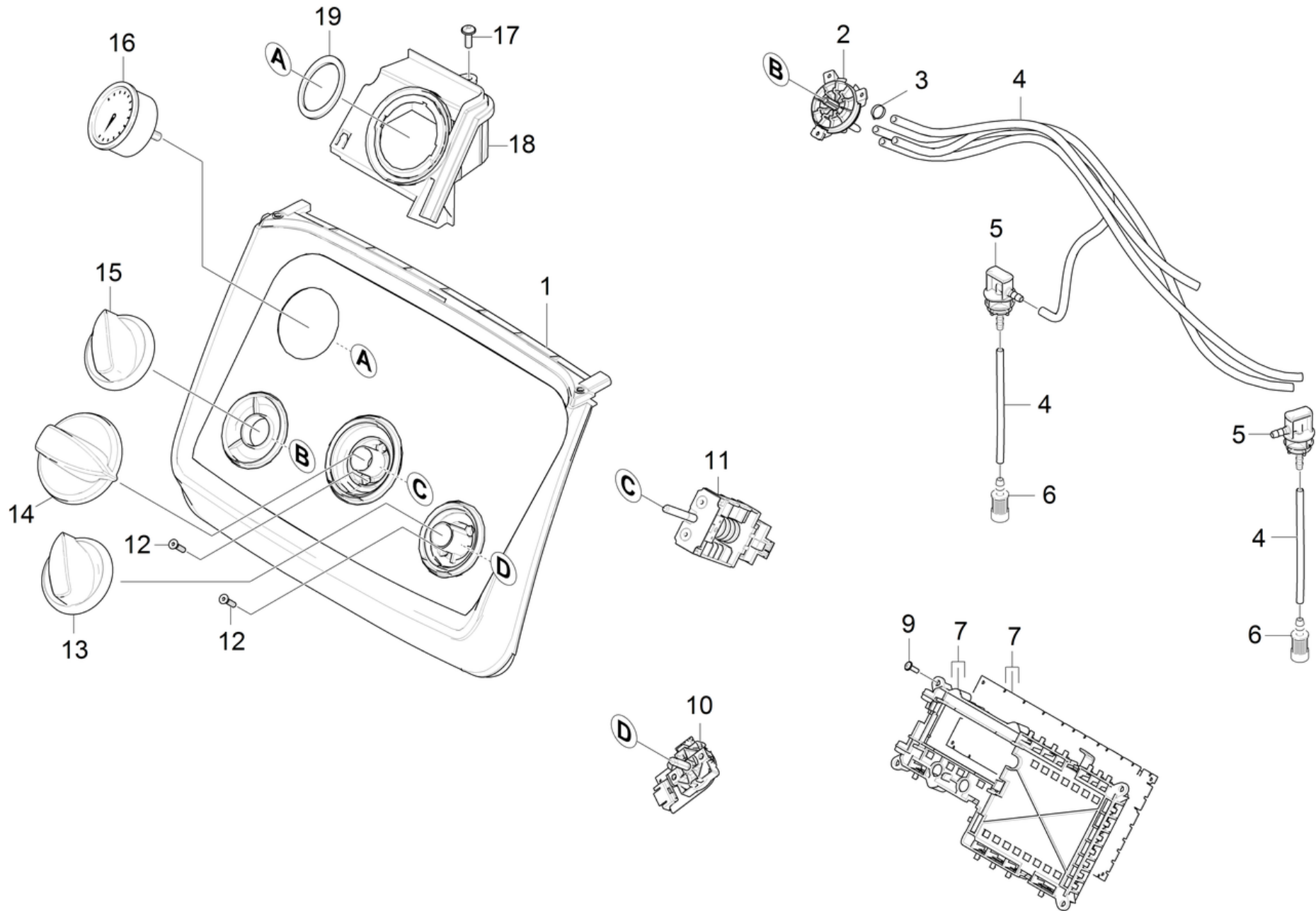
Spare part set dirt blaster 09 (2.884-316.0)

| POS | Article no. | Description | Quantity | Unit |
|------------|--------------------|-------------------------------|-----------------|-------------|
| 6 | 6.362-463.0 | O-Ring seal 28,0 X 2,0-NBR 78 | 1.000 | ST |



Spare parts set rotor 100 (2.885-196.0)

| POS | Article no. | Description | Quantity | Unit |
|-----|-------------|-------------------------------|----------|------|
| 6 | 6.362-463.0 | O-Ring seal 28,0 X 2,0-NBR 78 | 1.000 | ST |



110 Control panel

| POS | Article no. | Description | Quantity | Unit | Foot note text |
|-----|-------------|--|----------|------|-----------------------|
| 1 | 4.841-386.0 | Control panel only for replacement | 1.000 | ST | |
| 2 | 4.063-842.0 | Proportioning valve chemistry | 1.000 | ST | |
| 3 | 6.388-559.0 | Hose clip | 4.000 | ST | |
| 4 | 6.391-341.0 | Hose chemistry DN 6 | 1.000 | M | TO ORDER AS CUT GOODS |
| 5 | 5.132-134.0 | Plug | 2.000 | ST | |
| 6 | 5.731-638.0 | Filter with weight | 2.000 | ST | |
| 7 | 2.885-052.0 | Frame circuit board complete | 1.000 | ST | |
| 9 | 7.303-106.0 | Screw 4x12 -10.9-R2R (IN6RD) | 2.000 | ST | |
| 10 | 4.630-005.0 | Switch temperature only for replacement | 1.000 | ST | |
| 11 | 6.630-421.3 | Switch program selection | 1.000 | ST | |
| 12 | 7.305-019.0 | Countersunk screw M4x16 -8.8-R2R (In6Rd | 4.000 | ST | |
| 13 | 5.321-847.0 | Handle | 1.000 | ST | |
| 14 | 5.321-848.0 | Handle | 1.000 | ST | |
| 15 | 5.321-844.0 | Handle | 1.000 | ST | |
| 16 | 4.423-020.0 | Pressure gauge only for replacement 0-25 | 1.000 | ST | |
| 17 | 7.303-106.0 | Screw 4x12 -10.9-R2R (IN6RD) | 1.000 | ST | |
| 18 | 5.044-850.0 | Holder pressure gauge | 1.000 | ST | |
| 19 | 5.363-721.0 | Joint ring | 1.000 | ST | |