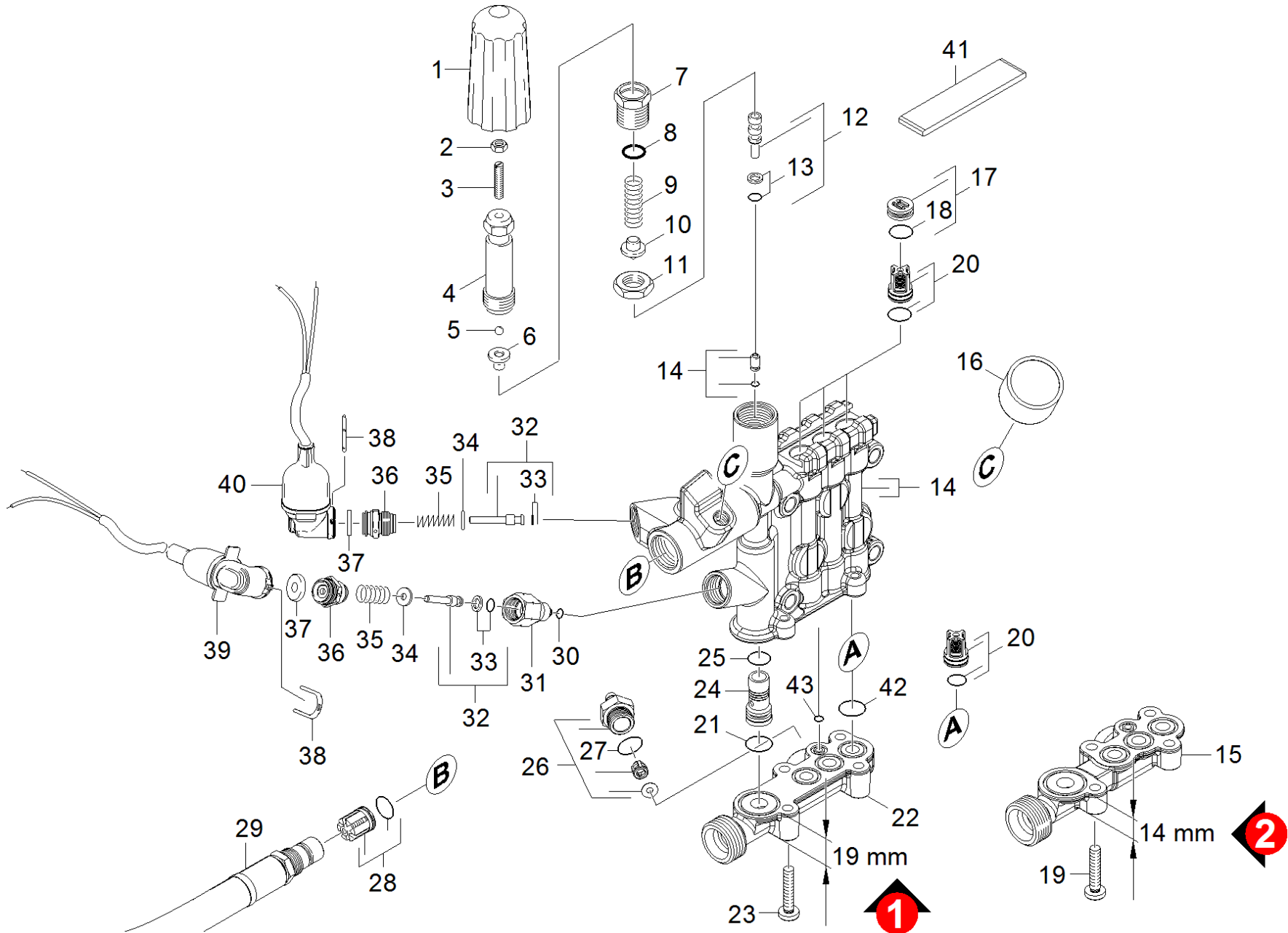


# 21 Cylinder head

Professional \ High pressure cleaner hotwater \ Electric motor \ HDS 6/14 C \*EU \ Spare parts list HDS 6/14 C \ Pump set \ Cylinder head



## 21 Cylinder head

Professional \ High pressure cleaner hotwater \ Electric motor \ HDS 6/14 C \*EU \ Spare parts list HDS 6/14 C \ Pump set \ Cylinder head



POS	Article no.	Description	Quantity	Unit	Foot note text
14	4.550-997.0	Cylinder head complete only for replacem	1.000	ST	
37	5.367-030.0	Diaphragm	2.000	ST	
17	4.132-007.0	Drain plug only for replacement	3.000	ST	
1	5.322-103.0	Handle	1.000	ST	
9	5.332-444.0	Helical spring	1.000	ST	
35	5.332-268.0	Helical spring	2.000	ST	
4	5.304-070.0	Hexagonal head screw	1.000	ST	
2	7.311-002.0	Hexagon nut M5 -6-A2E ISO 4032	1.000	ST	
11	5.311-204.0	Hexagon nut M22x1,5	1.000	ST	
29	6.391-859.0	High pressure hose DN 13	1.000	ST	
7	5.404-082.0	Hollow screw	1.000	ST	
31	5.402-705.3	Joining piece	1.000	ST	
15	5.427-469.0	Manifold water intake	1.000	ST	
22	5.427-438.0	Manifold water intake	1.000	ST	
30	6.362-853.0	O-Ring seal 4,47x1,78	1.000	ST	
43	6.362-703.0	O-Ring seal 6,0x1,5-NBR 70	1.000	ST	
18	6.362-458.0	O-Ring seal 11,0x2,0-NBR 70	3.000	ST	
25	6.362-381.0	O-Ring seal 13x2 - NBR 70	1.000	ST	
42	6.362-533.0	O-Ring seal 14,0 X 1,5-NBR 70	3.000	ST	
27	6.362-427.0	O-Ring seal 15,0x2,0	1.000	ST	
8	6.362-079.0	O-Ring seal 18,0 X 2,5	1.000	ST	
21	6.363-536.0	O-Ring seal 21x1,5	1.000	ST	
13	6.362-468.0	O-Ring seal complete 1ST.-R.	1.000	ST	
33	6.363-037.0	O-Ring seal complete 1ST.-R.	2.000	ST	
32	4.553-197.0	Piston complete only for replacement	2.000	ST	
12	4.553-198.0	Piston complete only for replacement	1.000	ST	
41	5.003-062.0	Plate	1.000	ST	
16	4.422-991.0	Pressure gauge complete only for replace	1.000	ST	
100	2.884-034.0	Pump set	1.000	ST	
38	5.034-494.0	Retaining bracket	2.000	ST	
19	7.306-094.0	Screw M6x25 -8.8-R3R (In6Rd)	4.000	ST	
23	7.306-105.0	Screw M6x30 -8.8-R3R (In6Rd)	4.000	ST	
36	5.411-148.0	Screw plug	2.000	ST	

## 21 Cylinder head

Professional \ High pressure cleaner hotwater \ Electric motor \ HDS 6/14 C \*EU \ Spare parts list HDS 6/14 C \ Pump set \ Cylinder head

**KÄRCHER**

POS	Article no.	Description	Quantity	Unit	Foot note text
24	5.110-815.0	Sleeve	1.000	ST	
5	7.401-931.0	Sphere 5 KI3 -1.4401 DIN 5401	1.000	ST	
40	4.744-224.0	Switch complete	1.000	ST	
39	4.744-225.3	Switch complete	1.000	ST	
3	7.307-017.0	Threaded pin M5x40 -St-45H-A2E ISO 4026	1.000	ST	
20	2.884-916.0	Valve (3 Stück)	2.000	ST	3 STUECK
28	4.580-594.0	Valve complete	1.000	ST	
26	4.580-581.3	Valve complete	1.000	ST	
6	5.582-121.0	Valve disc	1.000	ST	
10	5.584-114.0	Valve pin	1.000	ST	
34	5.115-796.0	Washer	2.000	ST	