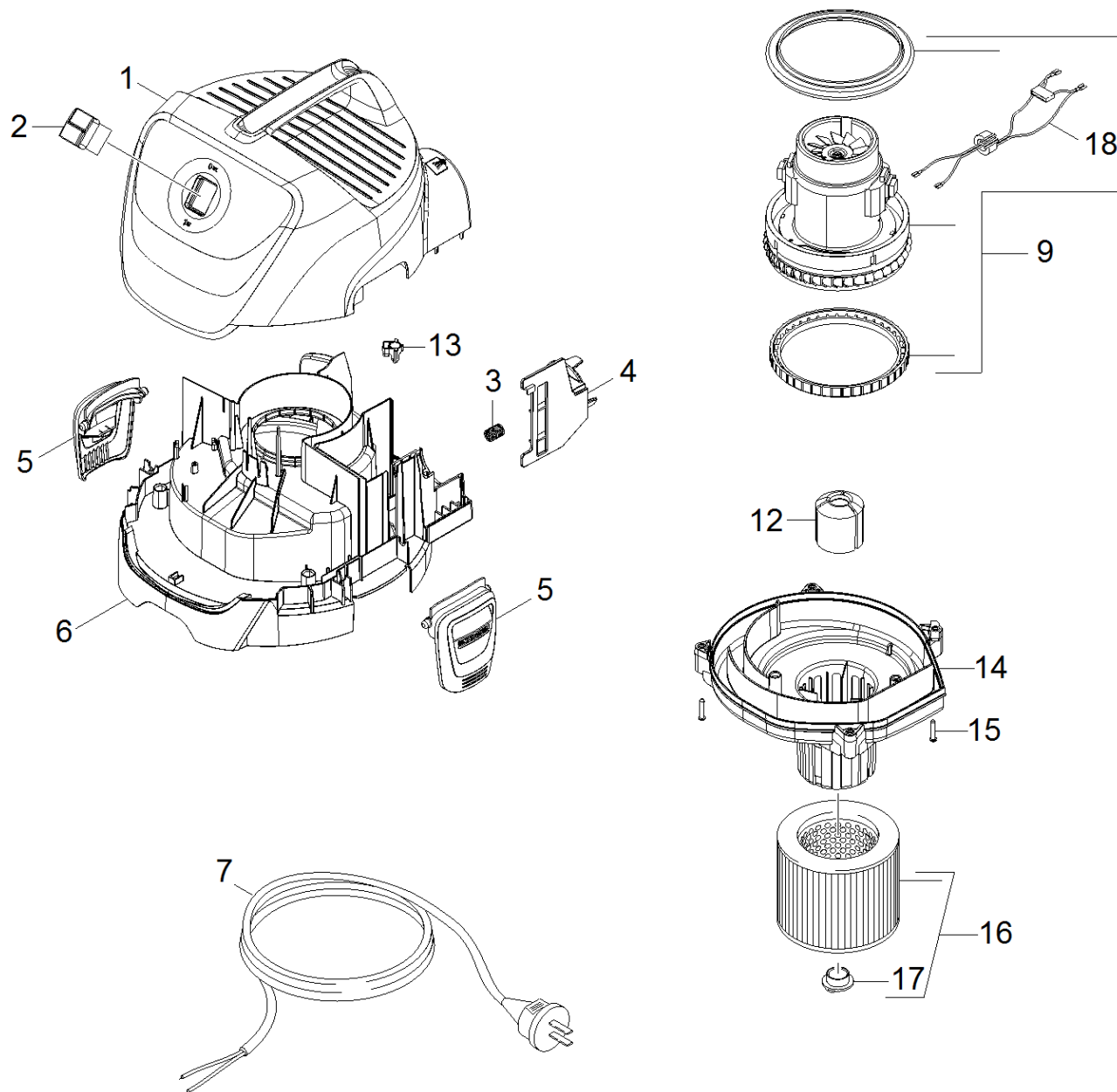


## 10 Appliance individual parts

Overview technical documents/Home & Garden/Vacuum cleaner/Wet-/Dry vacuum cleanerwet/MV 3\*CN (1.629-807.0)/Spare parts list MV 3\*CN/10 Appliance individual parts



## 10 Appliance individual parts

Overview technical documents/Home & Garden/Vacuum cleaner/Wet-/Dry vacuum cleanerwet/MV 3\*CN (1.629-807.0)/Spare parts list MV 3\*CN/10 Appliance individual parts

Rez.daļas/nodil.pakļ.daļas	Poz.	Materiāla Nr.	Nosaukums	Daudzums	Pārdoš. vienība	Daž. informācija
X-X	1	5.069-310.0	Vāks WD 3.XXX, neitrāls	1.000	ST	
	2	6.630-087.0	Slēdzis	1.000	ST	
	3	5.332-997.0	Helical spring	1.000	ST	
	4	5.640-363.0	Slider	1.000	ST	
X-X	5	5.075-037.0	Bloķētājs	2.000	ST	
	6	5.053-183.0	bracket motor	1.000	ST	
	7	6.649-056.0	Cable with plug *CN	1.000	ST	*EU
X-X	9	4.490-000.0	Vacuum motor complete for replacement Cu	1.000	ST	
	12	5.585-062.0	Float ECO	1.000	ST	
	13	5.034-734.0	Retaining bracket	1.000	ST	
	14	5.731-646.0	Filter cage	1.000	ST	
	15	6.303-150.0	Screw 4,2x 22	6.000	ST	
X-X	16	6.414-552.0	Cilindriskais filtrs A2004 / WD3.200 ...	1.000	ST	
X-X	17	4.075-012.0	Closure complete	1.000	ST	
	18	4.649-087.0	Cable ferrite ring complete DNA	1.000	ST	