

## **Spare parts list**

(1.512-440.0) SC 4 Premium (white) \*EU

## Table of contents

---

SC 4 Premium (white) *EU (1.512-440.0)	3
Spare parts list SC 4 Premium ** *EU (5.973-256.0)	4
10 Housing	5
4 Upper housing replacement white SC 4 flo (4.512-088.0)	7
7 Wheel set replacement bk (4.515-318.0)	9
19 Maintenance closure complete replacement (4.580-760.0)	11
20 Boiler	12
8 Boiler complete replacement SC 4 (4.070-060.3)	14
9010 Elbow nipple set replacement (4.509-000.0)	16
13 Pump complete for replacement MK (4.473-020.3)	18
9001 Elbow nipple set replacement (4.509-000.0)	20
30 Steam hose	22
1 Steam hose without plug bk/gy WH (4.322-061.0)	24
40 Accessories	26
2 Point jet nozzle complete PA (4.130-021.0)	28
8 Extension pipe bk/gy (4.127-027.3)	30
13 Power nozzle set (2.863-263.0)	32

SC 4 Premium (white) \*EU (1.512-440.0)

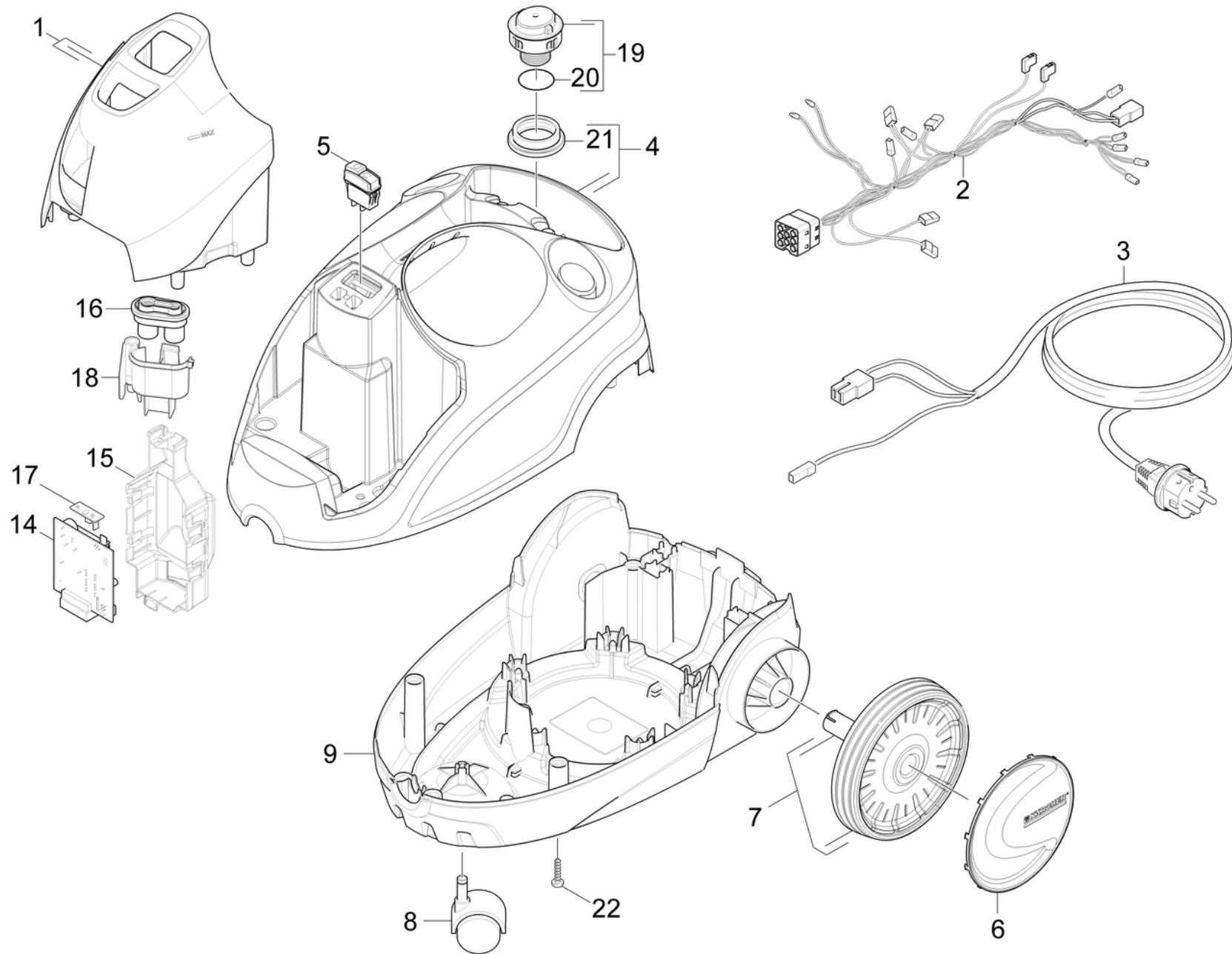
---

POS	Article no.	Description	Quantity	Unit
0	5.973-256.0	Spare parts list SC 4 Premium ** *EU	1	PC

Spare parts list SC 4 Premium \*\* \*EU (5.973-256.0)

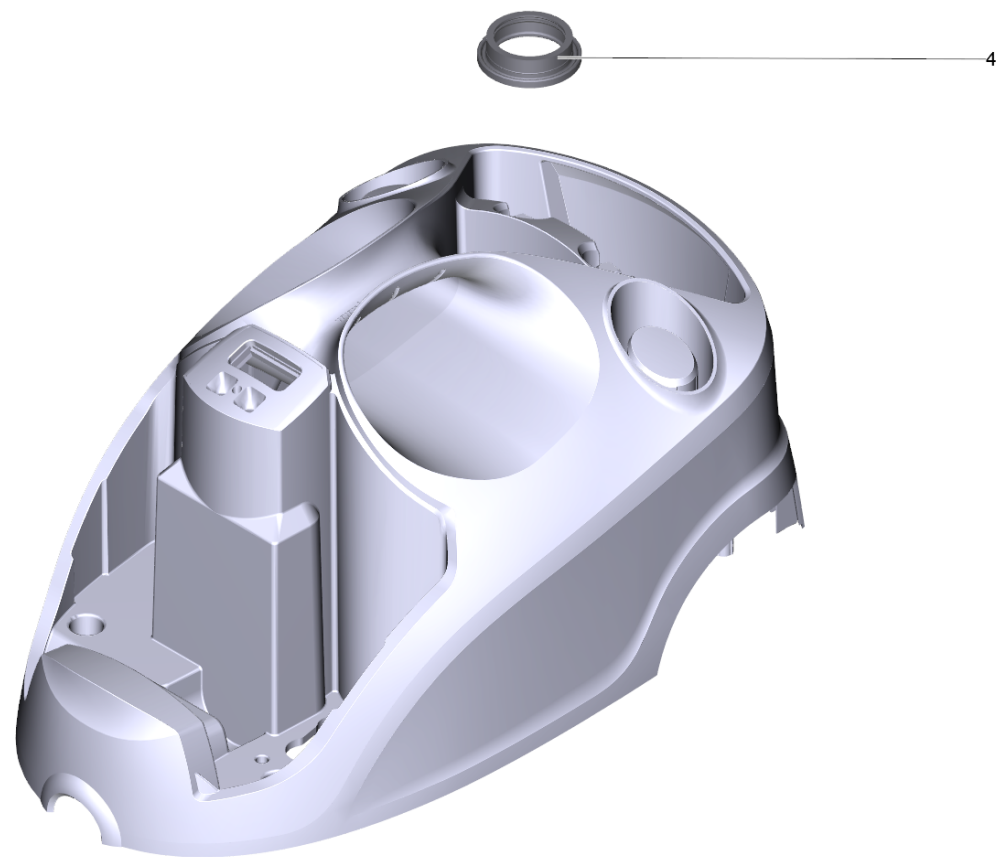
---

POS	Description	Quantity	Unit
40	Accessories	1	PC
20	Boiler	1	PC
10	Housing	1	PC
30	Steam hose	1	PC



## 10 Housing

POS	Article no.	Description	Quantity	Unit
2	4.039-030.0	Cable set SC 4 EU	1	PC
15	5.512-067.0	Carrier electronics MK DIY	1	PC
18	5.512-046.0	Carrier valve EFH-MK	1	PC
8	6.435-857.0	Castor	1	PC
17	6.512-012.3	Electronics display MK DIY	1	PC
14	6.512-015.3	Electronics MK *EU	1	PC
9	5.512-072.0	Housing bottom part gy floortool	1	PC
19	4.580-760.0	Maintenance closure complete replacement	1	PC
20	6.363-468.0	O-Ring seal EPDM 22x3	1	PC
3	6.650-729.0	Power cord H05VV-F 3G1 *EU	1	PC
6	4.515-321.0	Screen set replacement gy	1	PC
22	7.303-108.0	Screw 5x20 -10.9-R2R (In6Rd)	6	PC
21	5.363-745.0	Seal connection piece M24	1	PC
5	6.630-349.0	Switch one-pole	1	PC
1	4.512-036.0	Tank complete replacement SC 2.600/SC 2.	1	PC
4	4.512-088.0	Upper housing replacement white SC 4 flo	1	PC
16	4.580-637.0	Valve tank replacement	1	PC
7	4.515-318.0	Wheel set replacement bk	1	PC



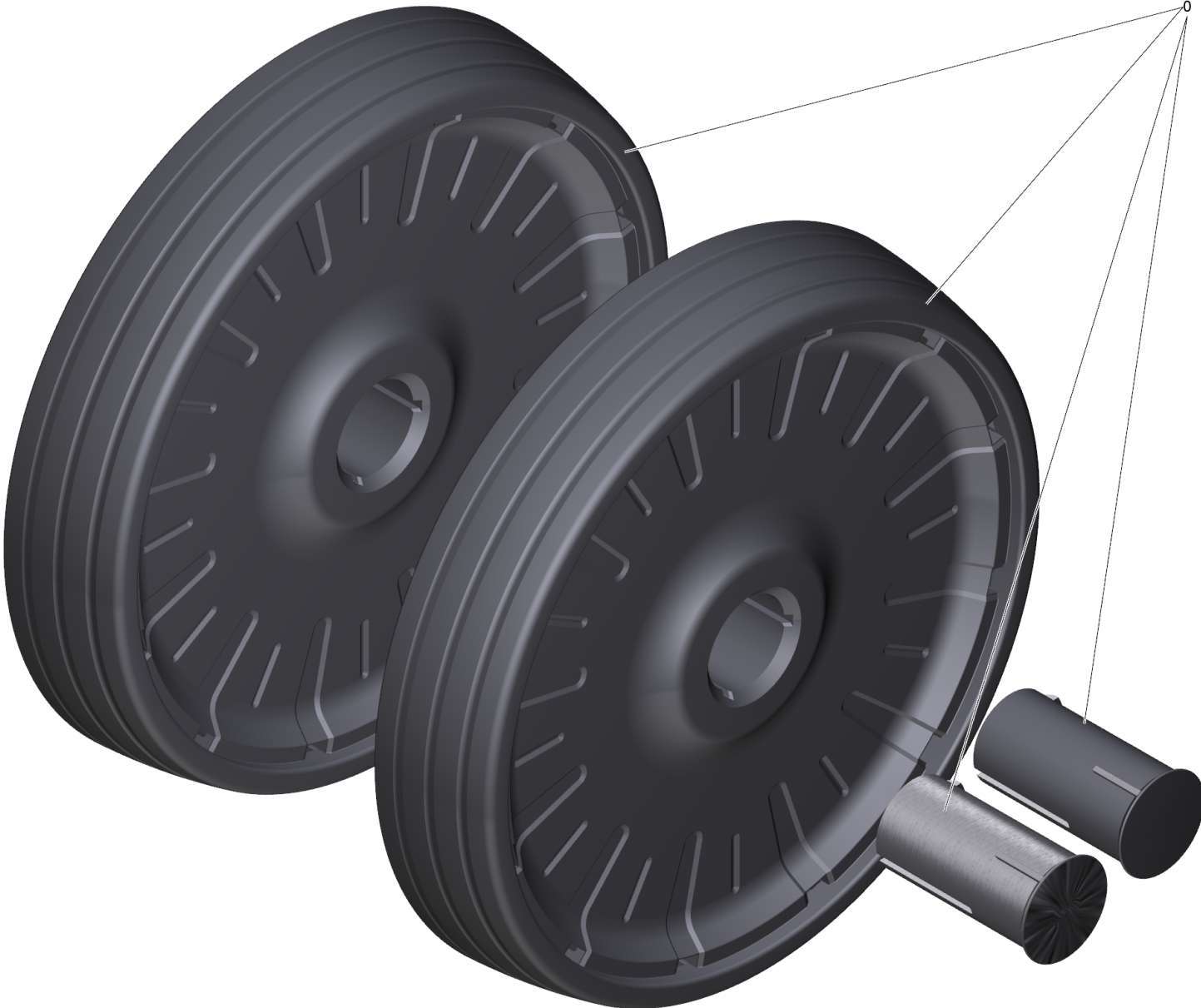
4 Upper housing replacement white SC 4 flo (4.512-088.0)

---

<b>POS</b>	<b>Article no.</b>	<b>Description</b>	<b>Quantity</b>	<b>Unit</b>
4	5.363-745.0	Seal connection piece M24	1	PC

---





7 Wheel set replacement bk (4.515-318.0)

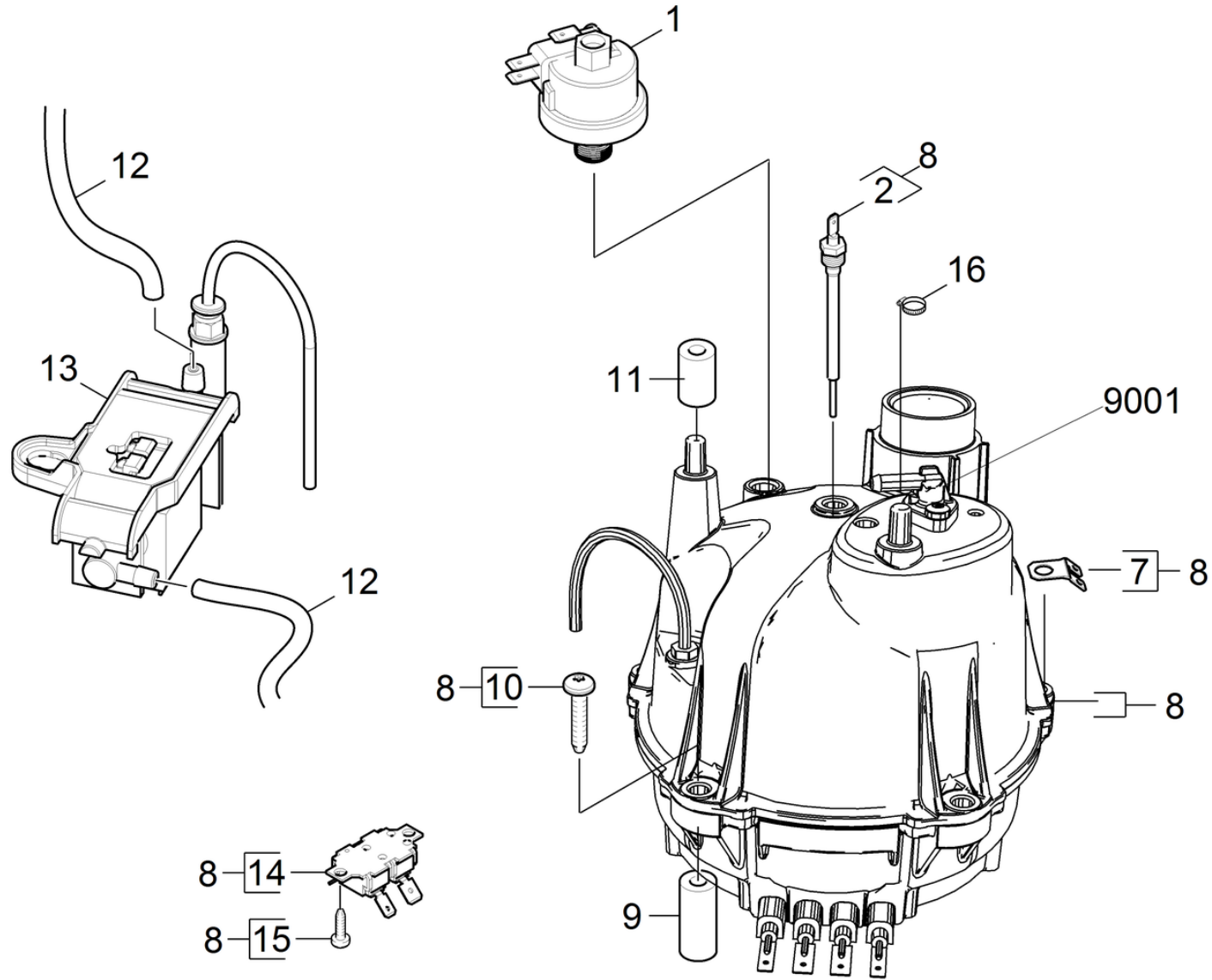
---

POS	Article no.	Description	Quantity	Unit
0	4.515-307.0	Wheel kit replacement	2	PC

19 Maintenance closure complete replacement (4.580-760.0)

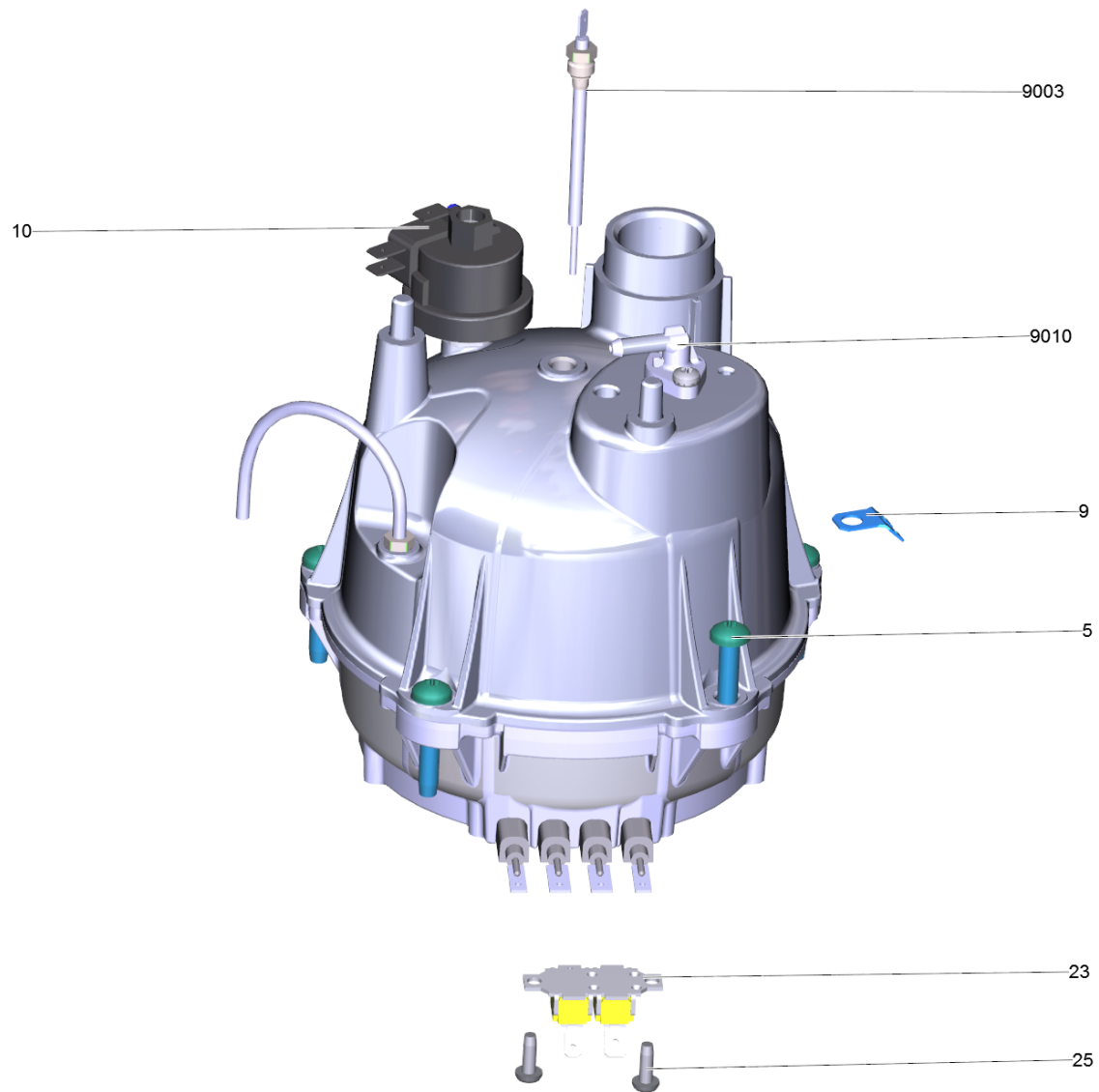
---

POS	Article no.	Description	Quantity	Unit
1	6.363-468.0	O-Ring seal EPDM 22x3	1	PC



## 20 Boiler

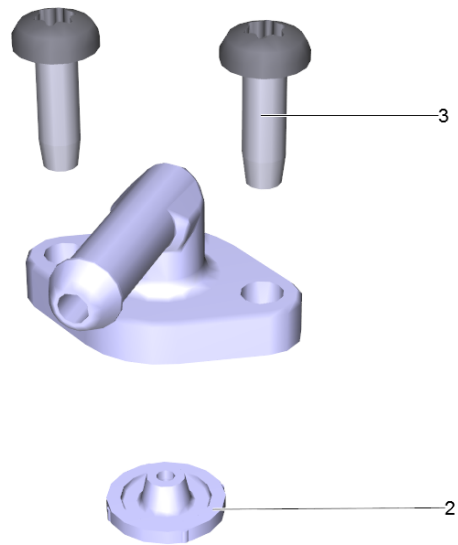
POS	Article no.	Description	Quantity	Unit
11	6.512-002.0	Bearing rubber above	2	PC
9	6.512-001.0	Bearing rubber bottom	5	PC
8	4.070-060.3	Boiler complete replacement SC 4	1	PC
9001	4.509-000.0	Elbow nipple set replacement	1	PC
12	6.391-336.0	Hose	1	m
16	6.389-993.0	Hose clip 7,5 - 9,0	1	PC
10	6.303-324.0	M6 X 32 TORX DRIVE PAN HD SPECIAL POINT	5	PC
1	6.413-533.0	Pressure controller 3,2 bar	1	PC
2	4.512-028.0	Probe complete replacement	1	PC
13	4.473-020.3	Pump complete for replacement MK	1	PC
15	7.303-031.0	Screw M4x10 -St-P2R (In6Rd)	2	PC
7	6.651-026.0	Tab double 2x 4,8x0,8	1	PC
14	6.630-483.0	Thermostat	1	PC



## 8 Boiler complete replacement SC 4 (4.070-060.3)

---

<b>POS</b>	<b>Article no.</b>	<b>Description</b>	<b>Quantity</b>	<b>Unit</b>
9010	4.509-000.0	Elbow nipple set replacement	1	PC
5	6.303-324.0	M6 X 32 TORX DRIVE PAN HD SPECIAL POINT	5	PC
10	6.413-533.0	Pressure controller 3,2 bar	1	PC
9003	4.512-028.0	Probe complete replacement	1	PC
25	7.303-030.0	Screw M4x8 -St-P2R (In6Rd)	2	PC
9	6.651-026.0	Tab double 2x 4,8x0,8	1	PC
23	6.630-483.0	Thermostat	1	PC

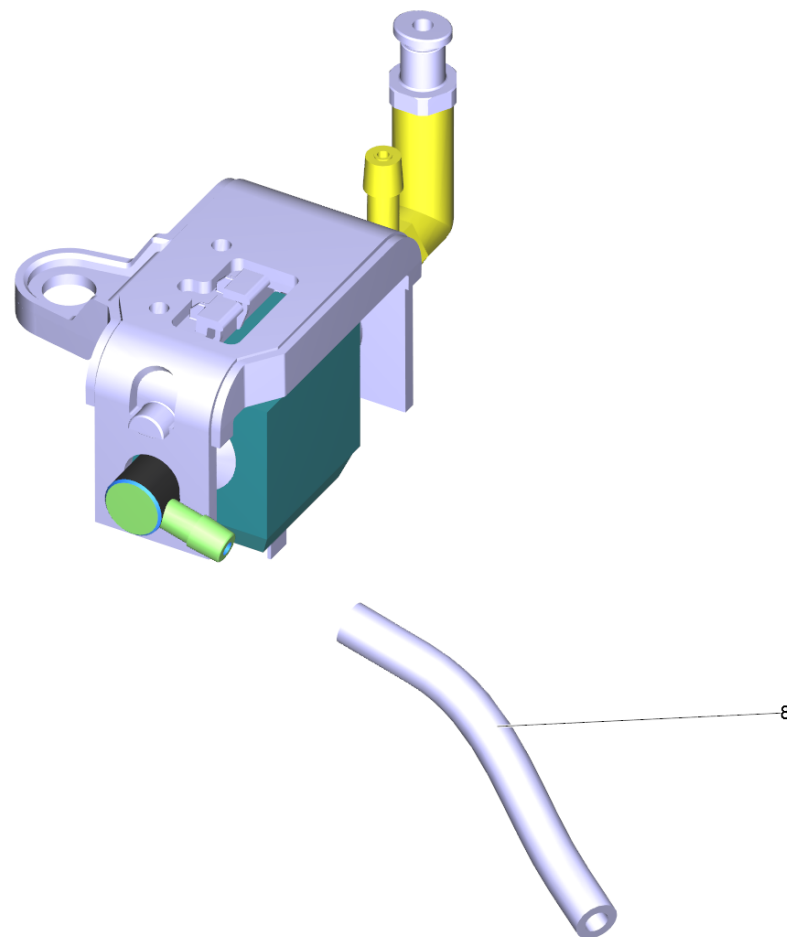




9010 Elbow nipple set replacement (4.509-000.0)

---

<b>POS</b>	<b>Article no.</b>	<b>Description</b>	<b>Quantity</b>	<b>Unit</b>
3	7.303-032.0	Screw M4x12 -St-R2R (In6Rd)	2	PC
2	5.363-770.0	Seal throttle 1800W	1	PC

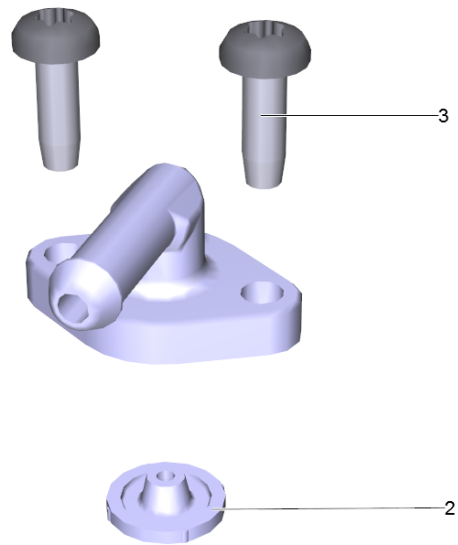


13 Pump complete for replacement MK (4.473-020.3)

---

<b>POS</b>	<b>Article no.</b>	<b>Description</b>	<b>Quantity</b>	<b>Unit</b>
8	6.391-336.0	Hose	1	m

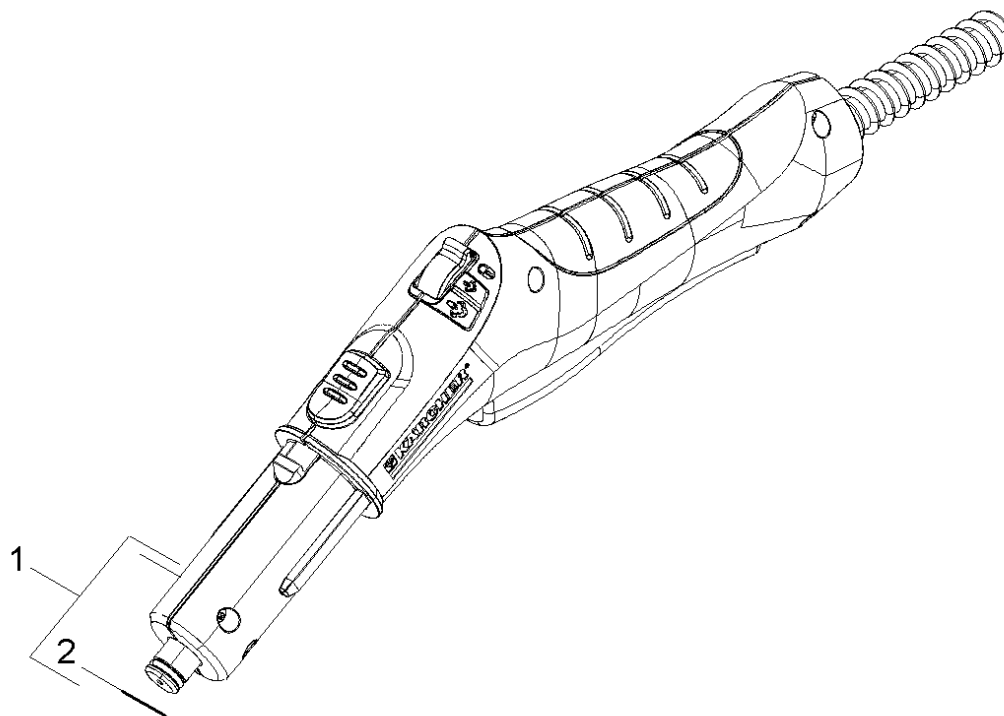
---



9001 Elbow nipple set replacement (4.509-000.0)

---

<b>POS</b>	<b>Article no.</b>	<b>Description</b>	<b>Quantity</b>	<b>Unit</b>
3	7.303-032.0	Screw M4x12 -St-R2R (In6Rd)	2	PC
2	5.363-770.0	Seal throttle 1800W	1	PC

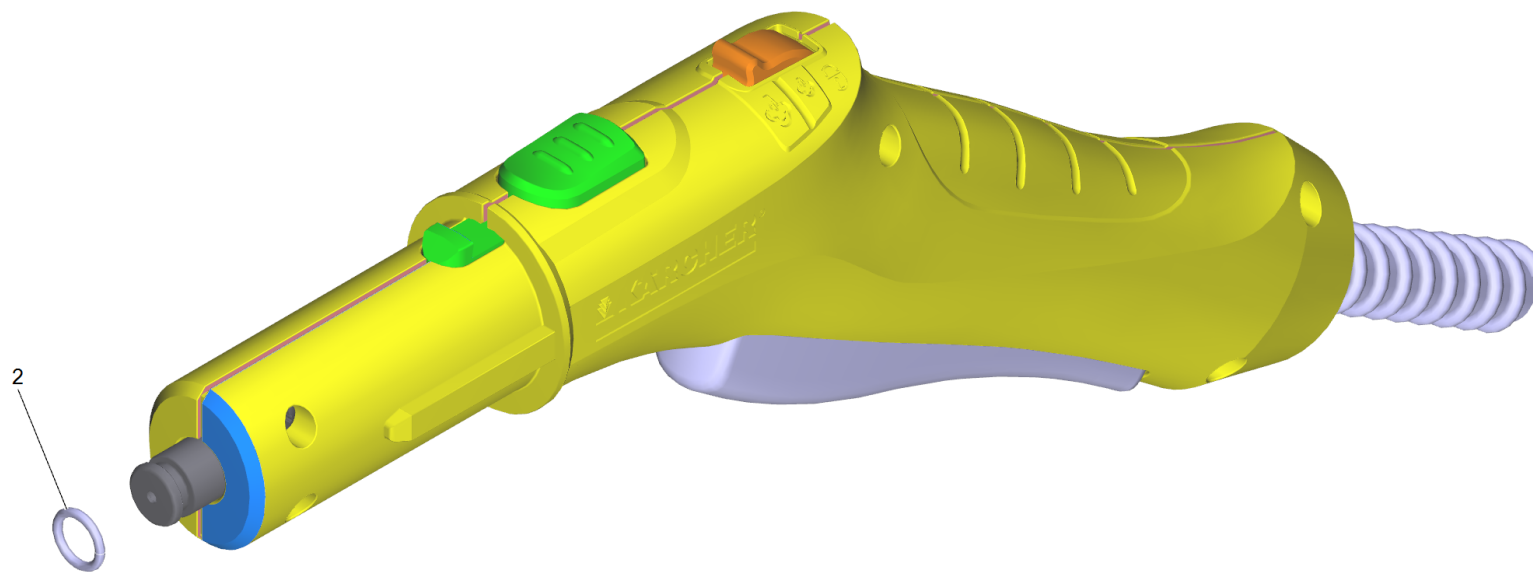


## 30 Steam hose

---

POS	Article no.	Description	Quantity	Unit
2	6.362-922.0	O-Ring seal 8,73x1,78	1	PC
1	4.322-049.3	Steam hose without plug bk/gy	1	PC
1	4.322-061.0	Steam hose without plug bk/gy WH	1	PC
<b>Item text1:</b> /1.512-186.0/-294.0				

---

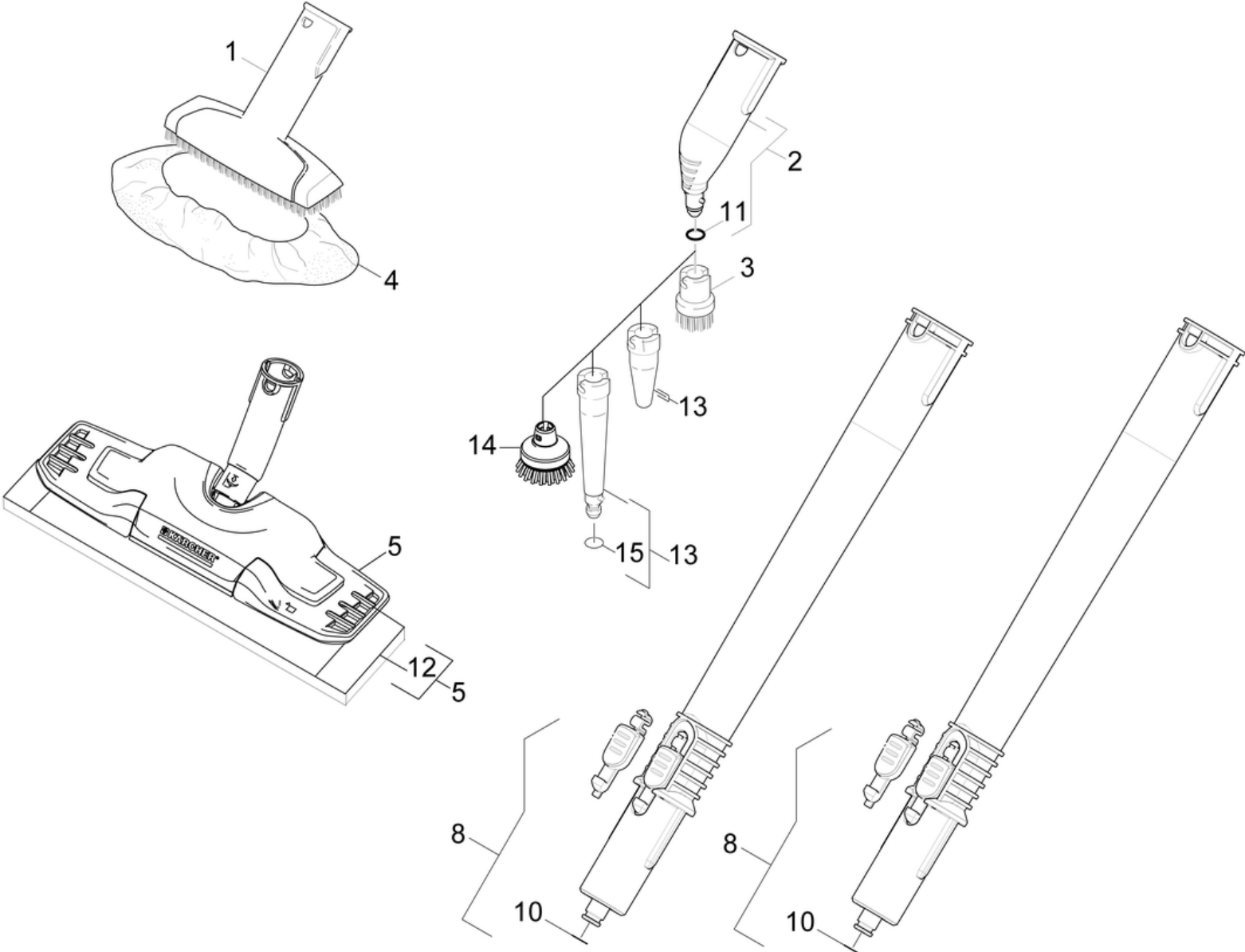




1 Steam hose without plug bk/gy WH (4.322-061.0)

---

POS	Article no.	Description	Quantity	Unit
2	6.362-922.0	O-Ring seal 8,73x1,78	1	PC



## 40 Accessories

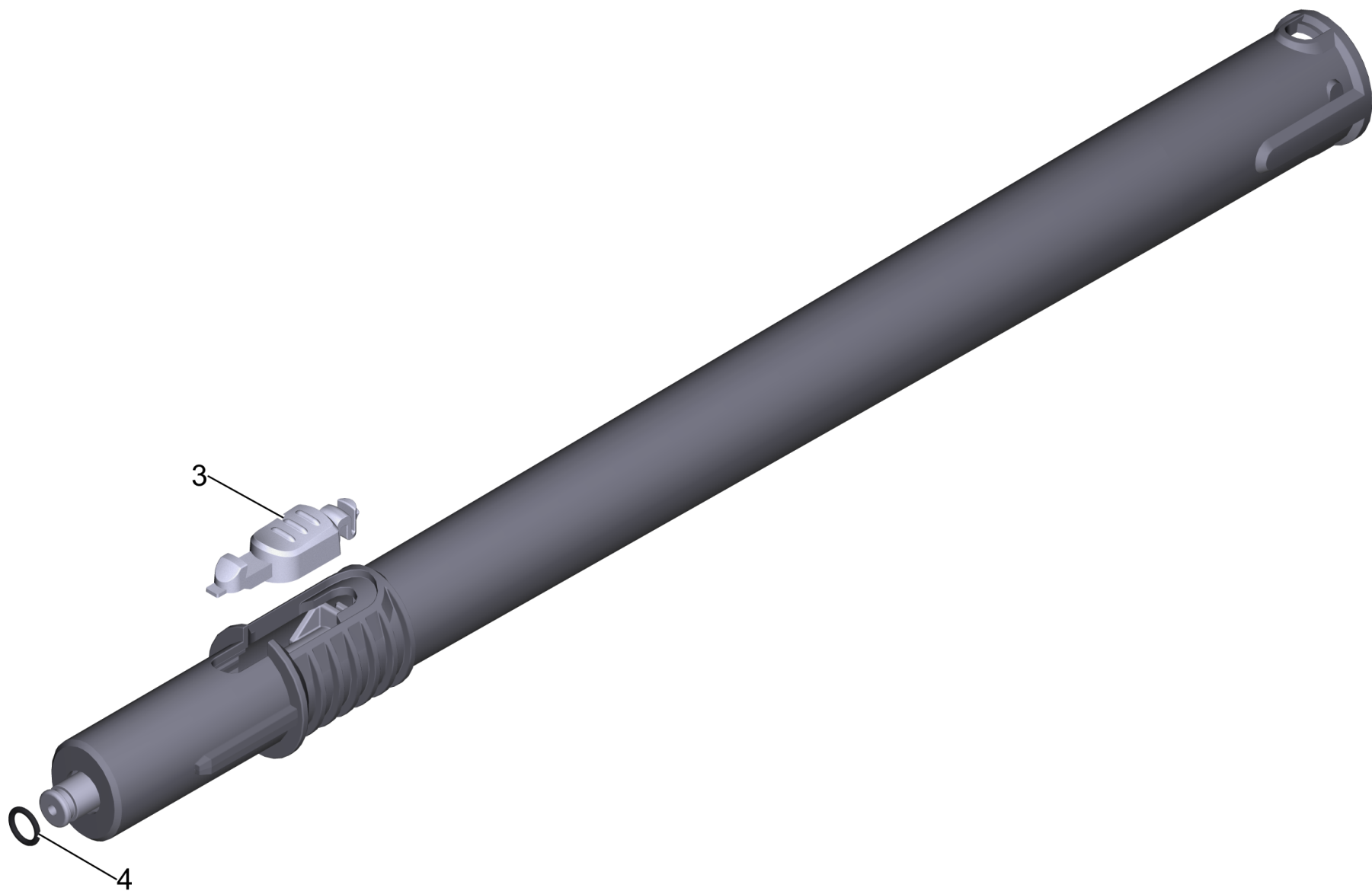
POS	Article no.	Description	Quantity	Unit
3	2.863-061.0	Bristle rink set CuZn	1	PC
12	2.863-020.0	Cloth set floor nozzle -Best	1	PC
8	4.127-027.3	Extension pipe bk/gy	2	PC
5	2.863-337.0	Floor nozzle set EasyFix	1	PC
	<b>Item text1:</b> successor of 2.863-267.0			
1	2.884-280.0	Hand nozzle	1	PC
4	2.863-344.0	Hand nozzle cover set	1	PC
15	6.362-924.0	O-Ring seal 6,02X 2,62	1	PC
11	6.362-186.0	O-Ring seal 7,65X 1,78	1	PC
10	6.362-922.0	O-Ring seal 8,73x1,78	2	PC
2	4.130-021.0	Point jet nozzle complete PA	1	PC
13	2.863-263.0	Power nozzle set	1	PC
3	2.863-264.0	Round brushes set	1	PC
14	2.863-022.0	Round brush large special accessories	1	PC



2 Point jet nozzle complete PA (4.130-021.0)

---

POS	Article no.	Description	Quantity	Unit
2	6.362-186.0	O-Ring seal 7,65X 1,78	1	PC



8 Extension pipe bk/gy (4.127-027.3)

---

<b>POS</b>	<b>Article no.</b>	<b>Description</b>	<b>Quantity</b>	<b>Unit</b>
4	6.362-922.0	O-Ring seal 8,73x1,78	1	PC
3	5.037-220.0	Snap-fit	1	PC

13 Power nozzle set (2.863-263.0)

---

POS	Article no.	Description	Quantity	Unit
2	6.362-924.0	O-Ring seal 6,02X 2,62	1	PC