

Spare parts list

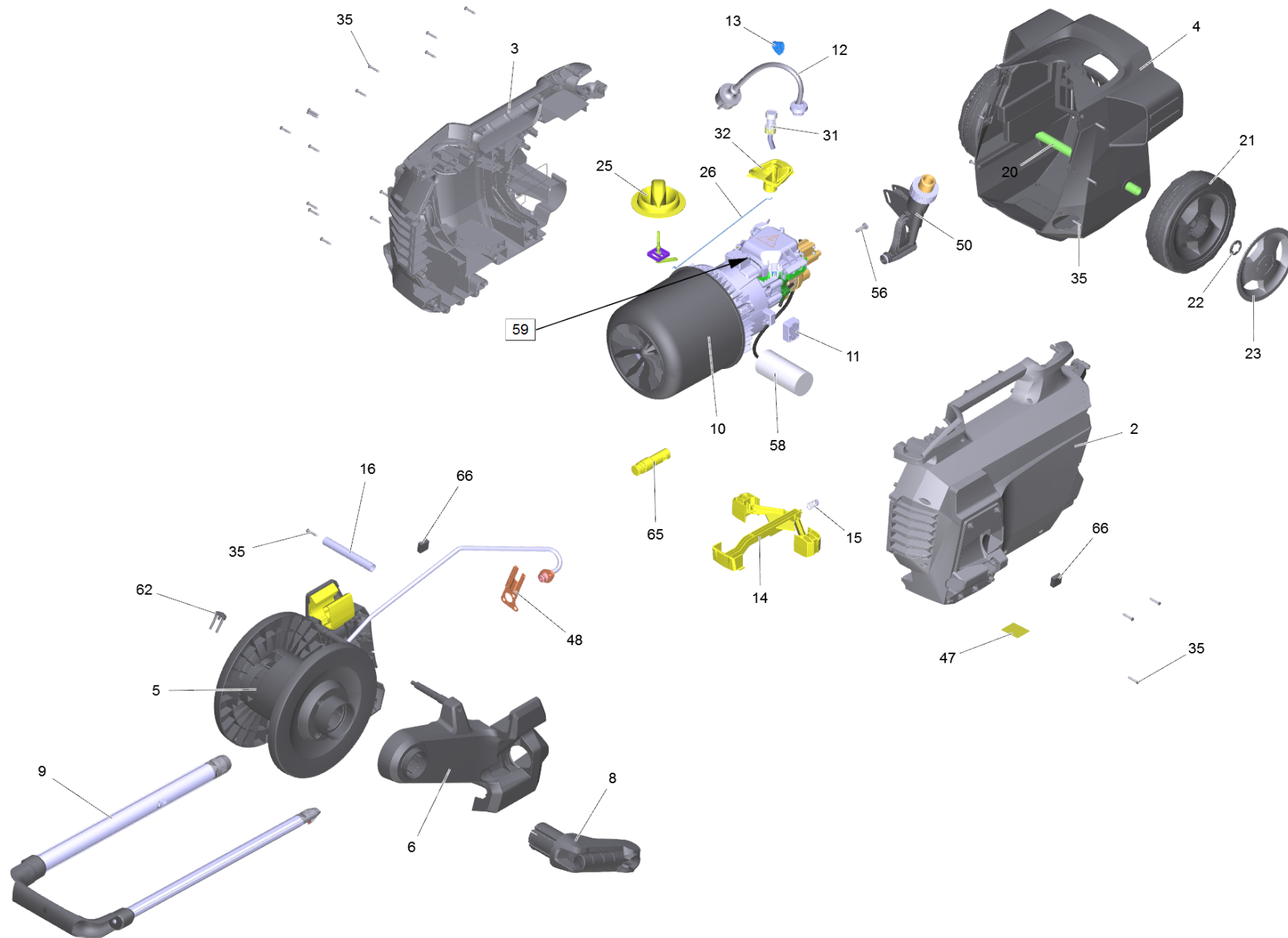
(1.520-942.0) HD 5/17 CX Plus *EU

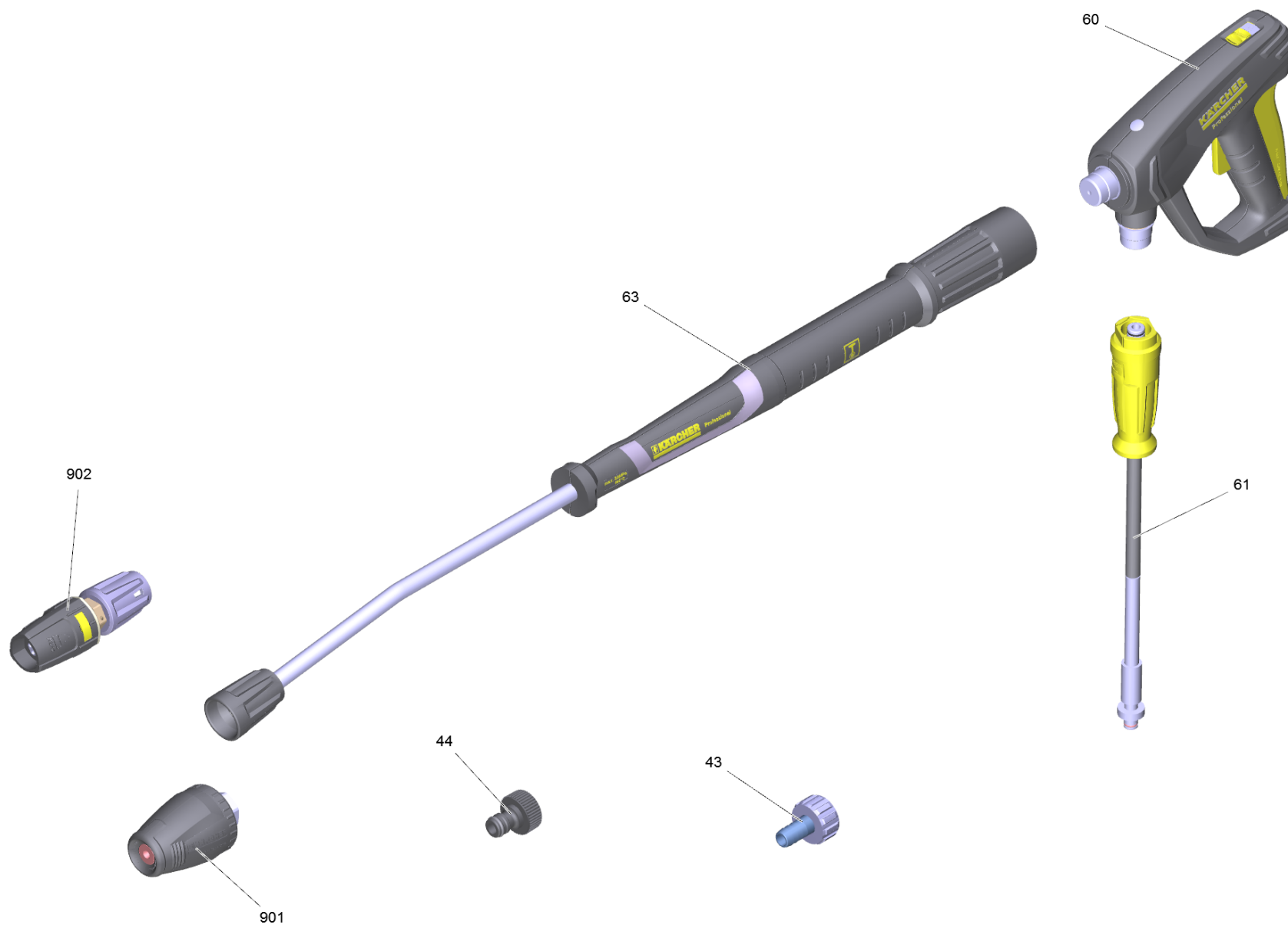
Table of contents

HD 5/17 CX Plus *EU (1.520-942.0)	3
Spare parts list high-pressure 5/17 CX P (5.974-228.0)	4
5 Hose reel complete	8
23 Set (4.515-104.0)	10
28 Hook (4.037-013.0)	12
9 Handhold complete	13
10 Pump set complete HD 5/17	15
50 Transmission HD 5/17	17
999 Motor for replacement HD 5/17 (4.624-227.3)	19
51 Pump head complete HD 5/17	21
101 Piston guidance complete	23
102 Cylinder head complete brass (4.550-942.0)	25
103 Control piston complete replacement (2.885-408.0)	27
104 Valve pin complete (4.584-022.0)	29
105 Plug complete (4.580-702.0)	31
114 SPARE PART LIST NOZZLE INS 020/021 PUMP (9.139-372.0)	33
902 Pump set HDC (2.885-377.0)	35
11 Valve pin complete (4.584-022.0)	37
53 Electric box complete HDC	39
999 Tool (2.901-048.0)	41
12 Cable with plug *EU (6.650-201.3)	43
31 Filter with hose RM 1,05	45
43 Screw connector part	47
50 Water intake complete	49
60 EASY!Force Advanced (4.118-005.0)	51
9000 Spare part set lever (2.885-483.0)	53
61 Hose assembly TR DN6 25MPa 15m (6.110-036.0)	55
62 Hook (4.037-013.0)	57
63 Jet pipe TR 840 mm (4.112-006.0)	58
902 Triple jet nozzle TR 027 (4.117-023.0)	60
1 Triple jet nozzle TR 027	61

HD 5/17 CX Plus *EU (1.520-942.0)

POS	Article no.	Description	Quantity	Unit
0	5.974-228.0	Spare parts list high-pressure 5/17 CX P	1	PC



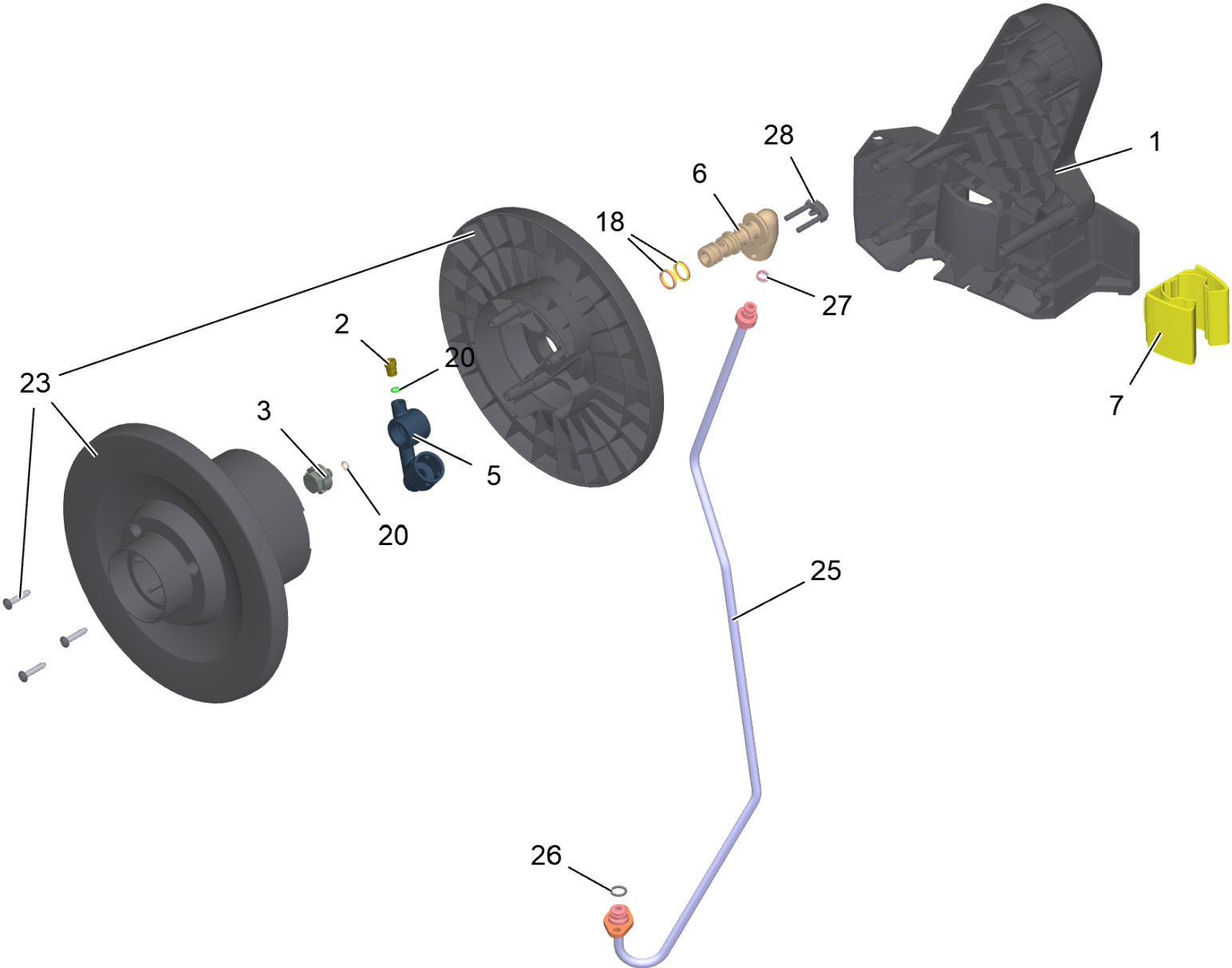


Spare parts list high-pressure 5/17 CX P (5.974-228.0)

POS	Article no.	Description	Quantity	Unit
20	5.105-399.0	Axle	1	PC
13	6.647-681.0	Cable clip	1	PC
12	6.650-201.3	Cable with plug *EU	1	PC
58	9.002-614.0	Capacitor replacement 6.661-288.0	1	PC
44	6.465-031.0	Connection 3/4	1	PC
32	5.645-841.0	Cover cleaning agents	1	PC
8	4.481-302.0	Crank complete	1	PC
901	4.114-018.0	Dirt blaster TR 030 LowEnd	1	PC
60	4.118-005.0	EASY!Force Advanced	1	PC
31		Filter with hose RM 1,05	1	PC
9		Handhold complete	1	PC
25	4.324-057.0	Handle complete	1	PC
15	5.332-001.0	Helical spring	1	PC
6	5.646-029.0	Holder hose reel links	1	PC
62	4.037-013.0	Hook	1	PC
61	6.110-036.0	Hose assembly TR DN6 25MPa 15m	1	PC
5		Hose reel complete	1	PC
4	5.645-653.0	Housing bottom X	1	PC
2	5.646-048.3	Housing left for replacement	1	PC
3	5.646-049.3	Housing right for replacement	1	PC
63	4.112-006.0	Jet pipe TR 840 mm	1	PC
14	5.645-675.3	Locking part	1	PC
22	6.343-168.0	Lock washer	2	PC
48	5.095-519.0	Positioning water intake	1	PC
10		Pump set complete HD 5/17	1	PC
65	5.646-026.0	Retainer accessories	1	PC
11	5.767-029.0	Rubber buffer	4	PC
35	6.303-566.0	Screw 4,2x22 R2R	27	PC
43		Screw connector part	1	PC
59	7.303-031.0	Screw M4x10 -St-P2R (In6Rd)	1	PC
56	7.306-092.0	Screw M6x20 -St-8.8-R3R (In6Rd)	2	PC
66	6.273-135.0	Sealing strip	2	PC
16	5.036-724.0	Sleeve	1	PC

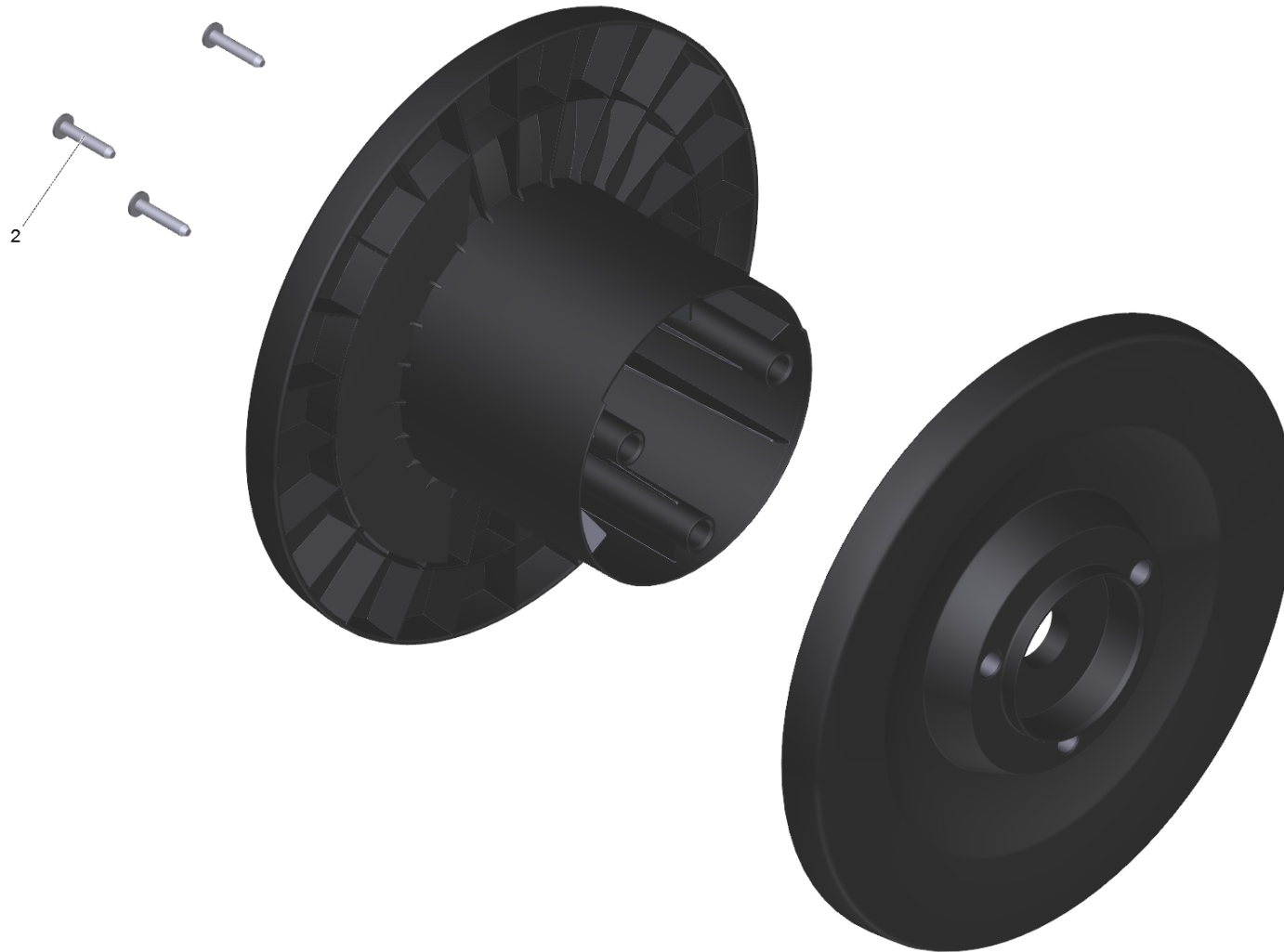
Spare parts list high-pressure 5/17 CX P (5.974-228.0)

POS	Article no.	Description	Quantity	Unit
26	5.107-313.0	Switch rod	1	PC
902	4.117-023.0	Triple jet nozzle TR 027	1	PC
47	5.387-620.0	Warning sign new	1	PC
50		Water intake complete	1	PC
23	5.515-386.0	Wheel cap large RAL 7012	2	PC
21	5.515-361.0	Wheel D180	2	PC



5 Hose reel complete

POS	Article no.	Description	Quantity	Unit
2	5.411-161.0	CLOSING SCREW M10X1	1	PC
1	5.646-030.0	Holder hose reel rechts	1	PC
7	5.645-938.0	Holder jet pipe	1	PC
28	4.037-013.0	Hook	1	PC
5	5.427-326.0	Manifold	1	PC
6	5.427-467.0	Manifold	1	PC
26	6.362-151.0	O-Ring d. 10 x 2 NBR 70	1	PC
20	6.362-703.0	O-Ring seal 6,0x1,5-NBR 70	2	PC
18	4.363-693.0	O-Ring seal kpl. -nur fuer Ersatz-	2	PC
27	4.363-691.0	O-Ring seal kpl. -nur fuer Ersatz-	1	PC
25	4.423-016.0	Pipelines complete	1	PC
3	4.411-012.0	Screw plug complete M10x1	1	PC
23	4.515-104.0	Set	3	PC

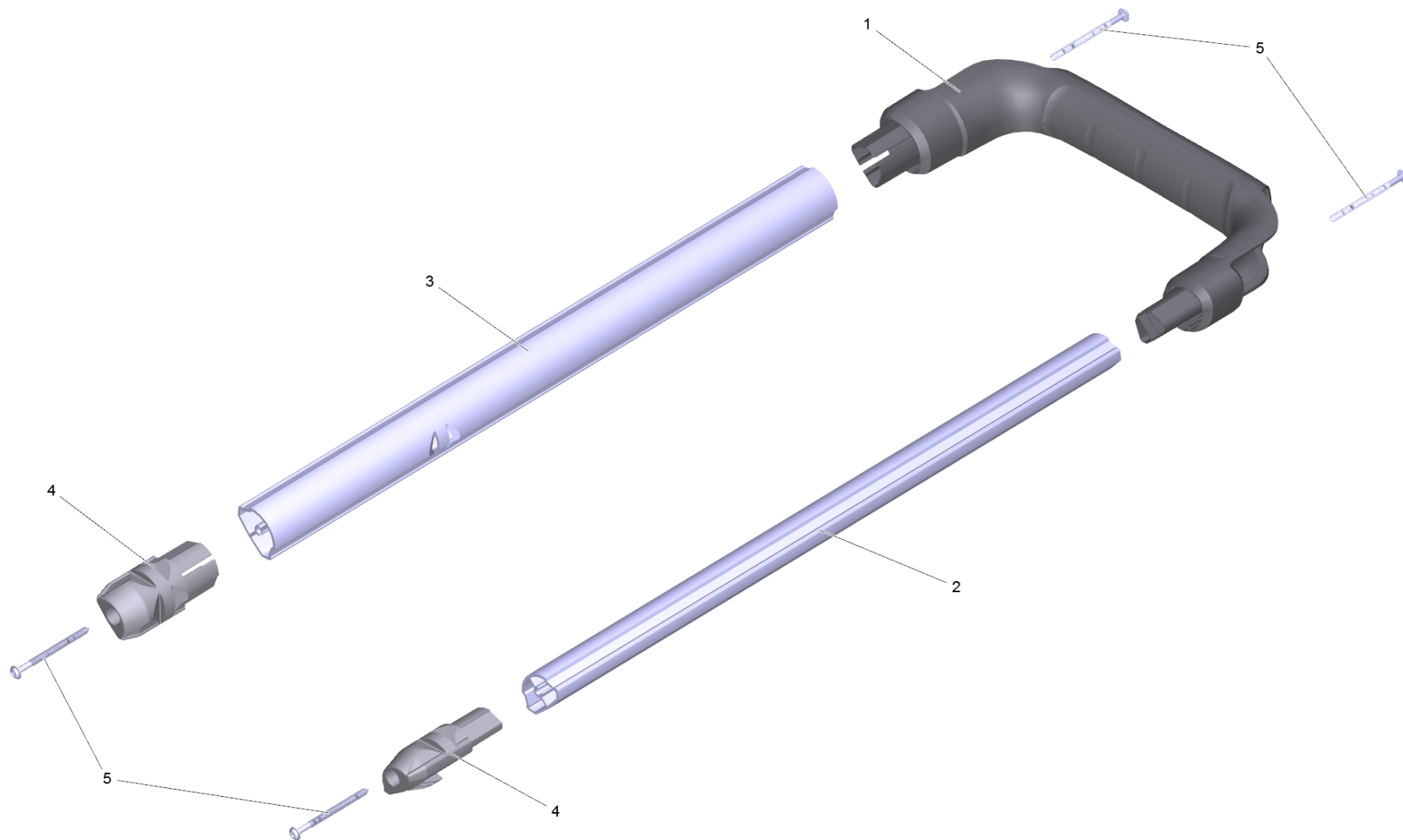


23 Set (4.515-104.0)

POS	Article no.	Description	Quantity	Unit
2	7.303-109.0	Screw 5x25 -10.9-R2R (In6Rd)	3	PC

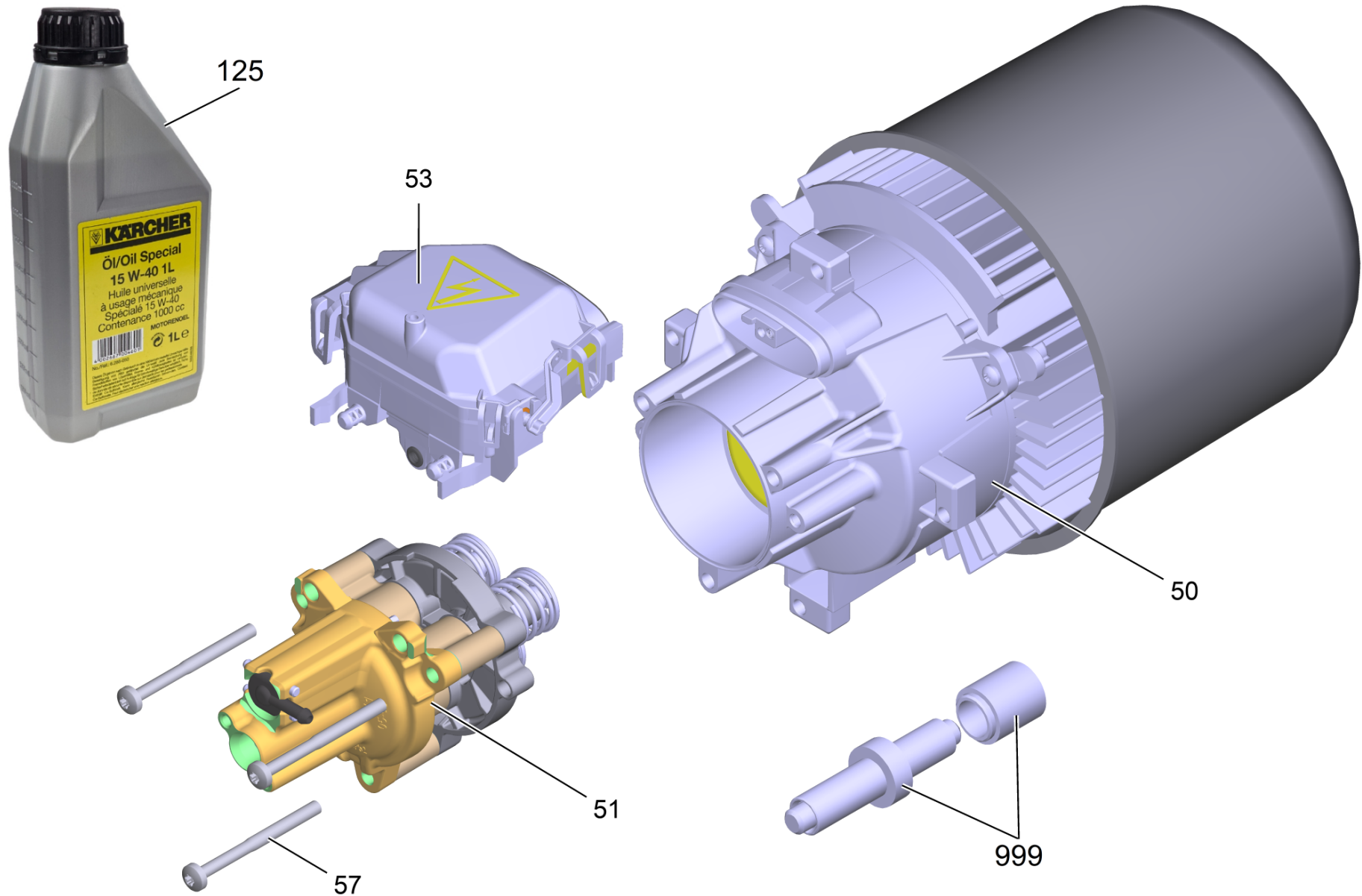
28 Hook (4.037-013.0)

POS	Article no.	Description	Quantity	Unit
1	5.037-109.0	HOOK	1	PC



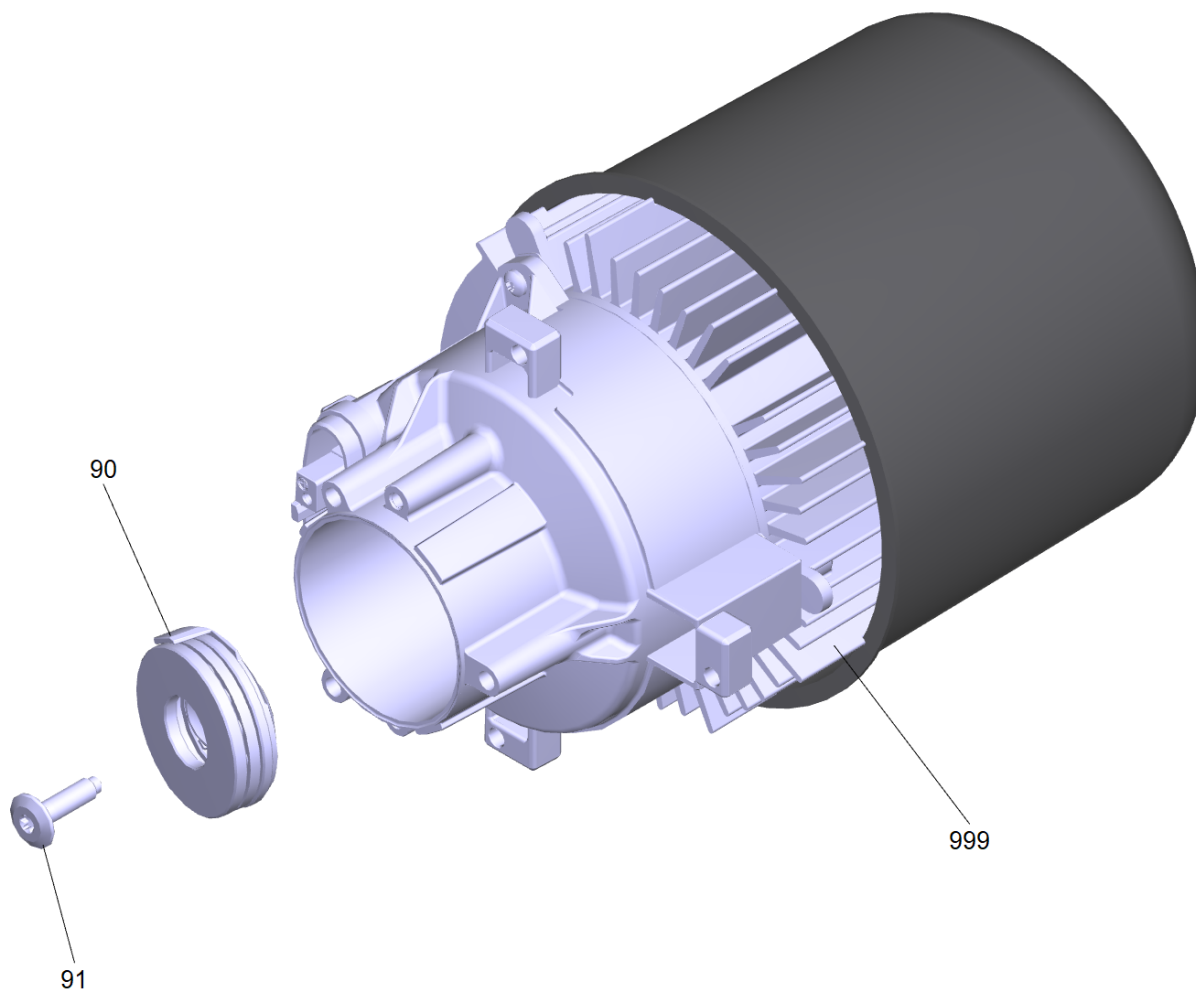
9 Handhold complete

POS	Article no.	Description	Quantity	Unit
4	5.645-676.0	End piece locking part	2	PC
1	5.324-161.0	Hand grip	1	PC
5	6.303-562.0	Saucer-head screw D4x55	4	PC
2	5.645-674.0	Tube left Trolley	1	PC
3	5.645-853.3	Tube right for replacement Trolley	1	PC



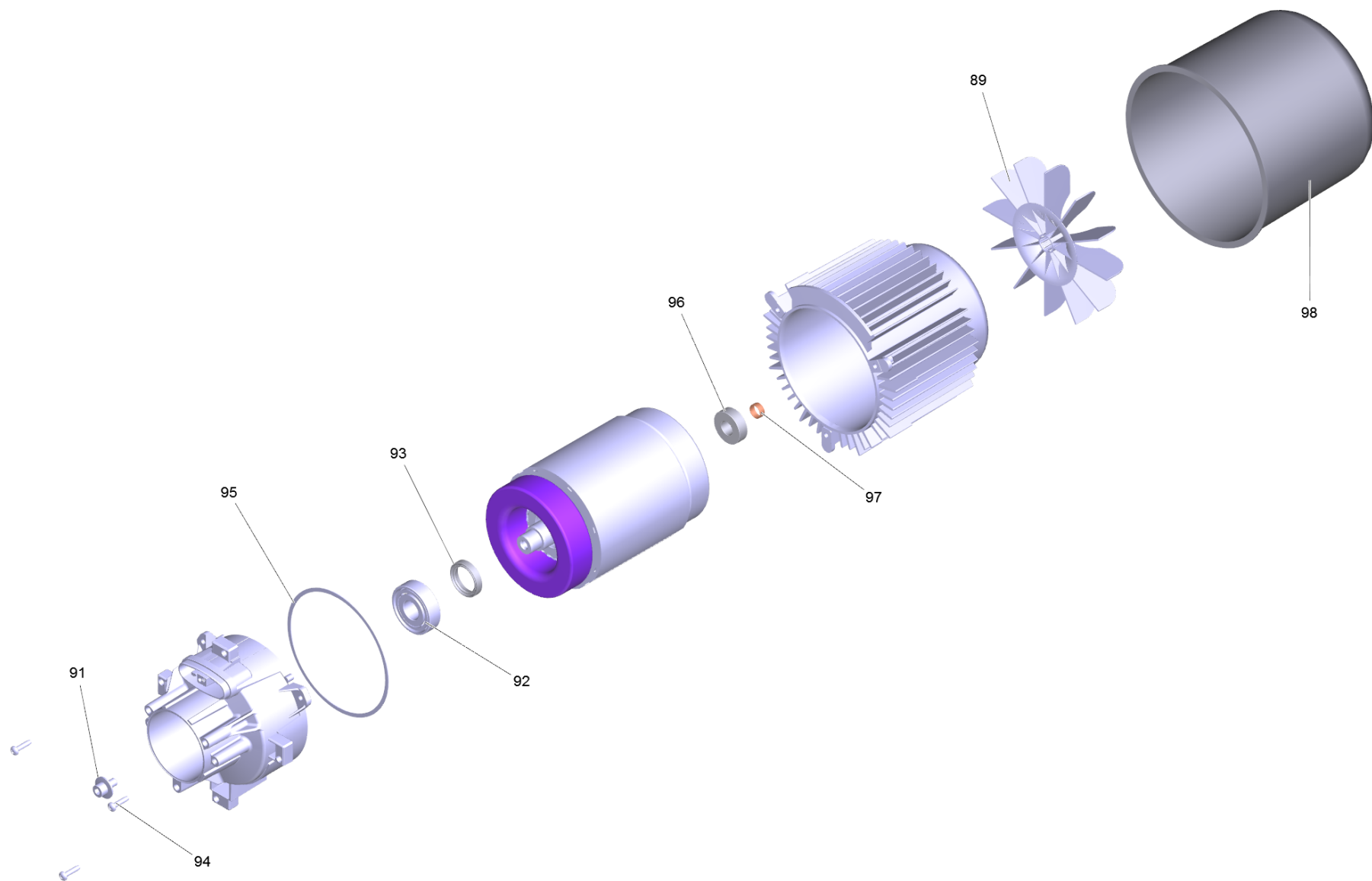
10 Pump set complete HD 5/17

POS	Article no.	Description	Quantity	Unit
53		Electric box complete HDC	1	PC
125	6.288-050.0	Engine oil 1L	1	PC
51		Pump head complete HD 5/17	1	PC
57	7.306-268.0	Screw M6x70 -8.8-R3R (In6Rd)	3	PC
999	2.901-048.0	Tool	1	PC
50		Transmission HD 5/17	1	PC



50 Transmission HD 5/17

POS	Article no.	Description	Quantity	Unit
999	4.624-227.3	Motor for replacement HD 5/17	1	PC
91	6.304-077.0	Screw wobble plate M8x34	1	PC
90	4.120-028.3	Wobble plate complete 11°43' G7/2-H	1	PC

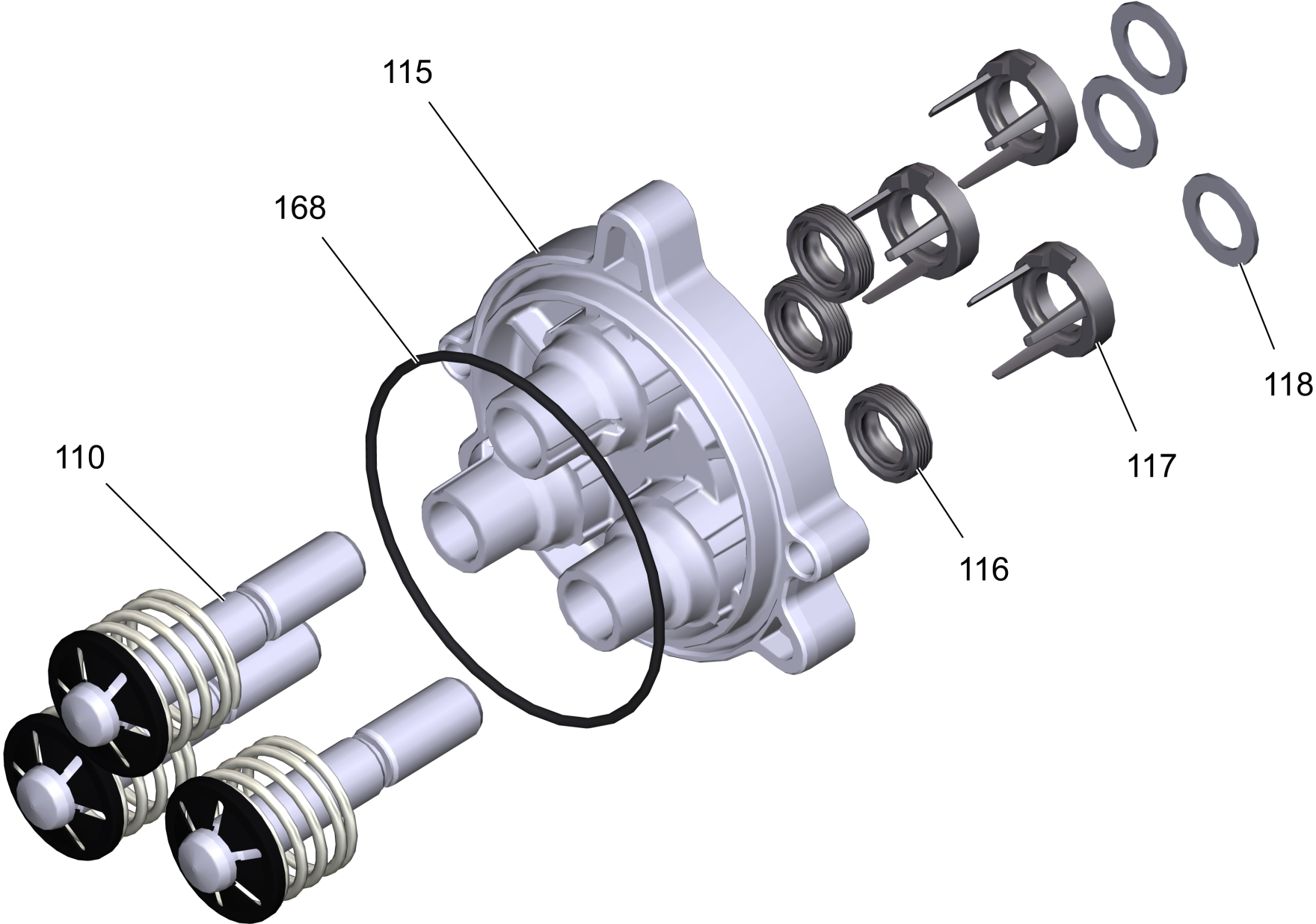


999 Motor for replacement HD 5/17 (4.624-227.3)

POS	Article no.	Description	Quantity	Unit
98	9.038-822.0	Air guide HD-C D117	1	PC
92	6.401-427.3	Angular contact ball bearing	1	PC
96	4.401-198.0	Ball bearing 6202-2RS -Wälzl.St DIN 625	1	PC
89	5.600-105.0	Blower wheel	1	PC
95	5.363-743.0	Joint ring	1	PC
93	7.367-024.0	Radial shaft seal ring A26x37x7 -FKM DIN	1	PC
94	6.303-320.0	Screw M 5x 20-St-R2R	3	PC
97	6.343-218.0	Tolerance ring 15x6	1	PC

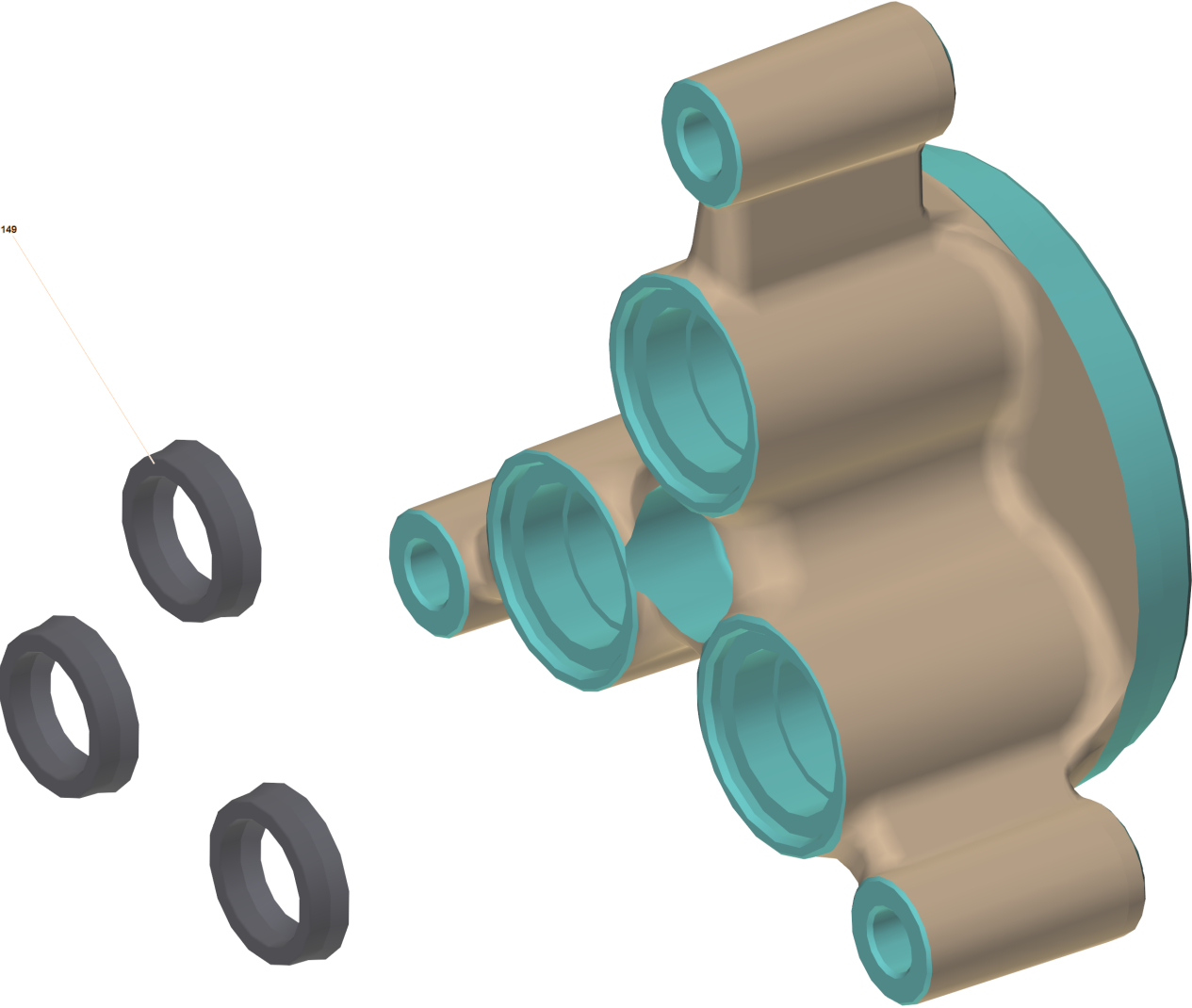
51 Pump head complete HD 5/17

POS	Article no.	Description	Quantity	Unit
103	2.885-408.0	Control piston complete replacement	1	PC
102	4.550-942.0	Cylinder head complete brass	1	PC
106	5.062-390.3	Housing for replacement HD-C	1	PC
166	6.362-562.0	O-Ring seal 21,95X 1,78-NBR 90	1	PC
164	6.363-616.0	O-Ring seal 60,0x2,0 -NBR70	1	PC
167	5.314-150.0	Pin	2	PC
101		Piston guidance complete	1	PC
105	4.580-702.0	Plug complete	1	PC
902	2.885-377.0	Pump set HDC	1	PC
903	2.901-049.0	Set from valve retainer and drive-in man	1	PC
114	9.139-372.0	SPARE PART LIST NOZZLE INS 020/021 PUMP	1	PC
104	4.584-022.0	Valve pin complete	1	PC



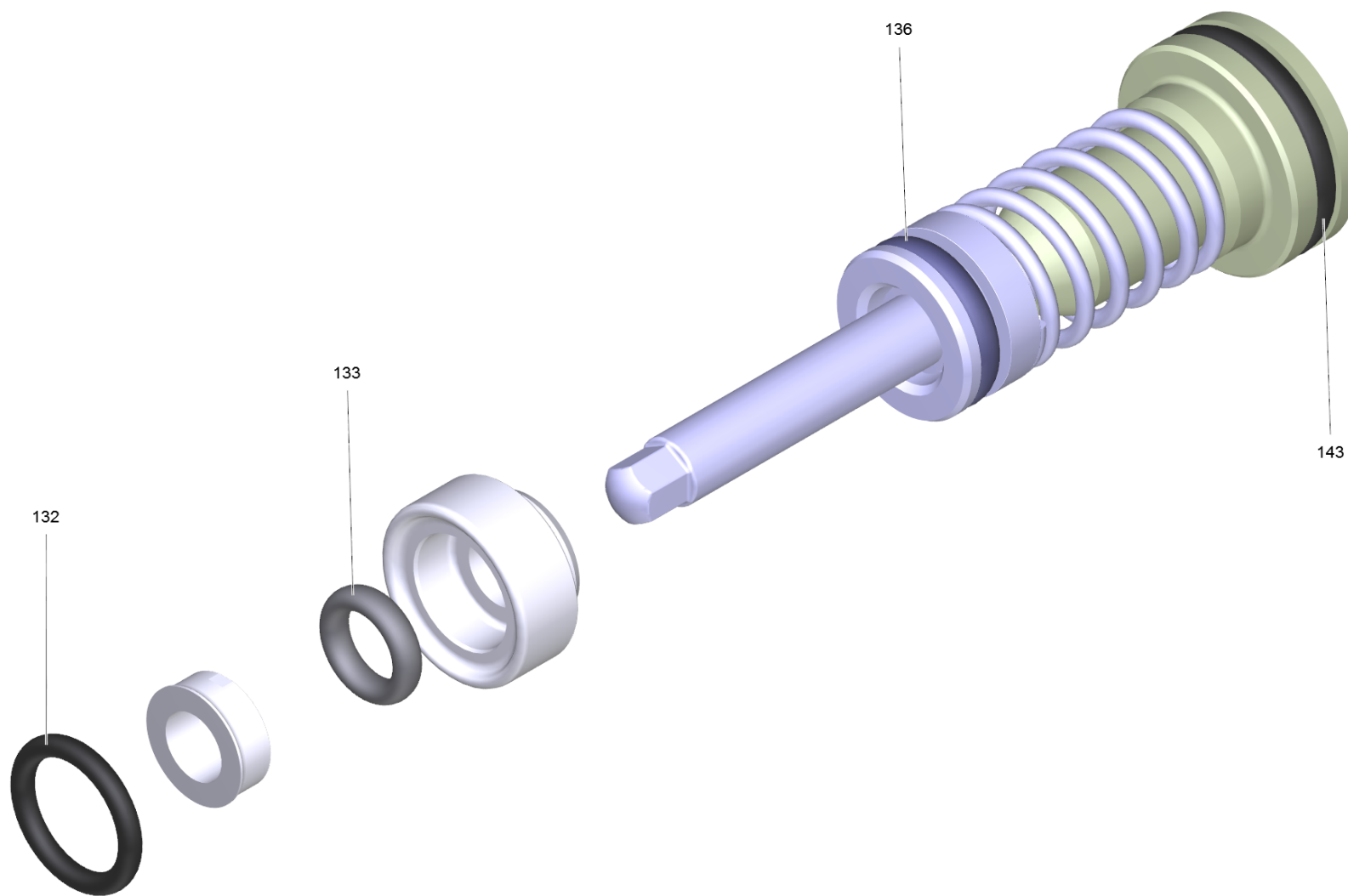
101 Piston guidance complete

POS	Article no.	Description	Quantity	Unit
116	6.363-633.0	Grooved ring 12x18x6/5/1	3	PC
168	6.363-449.0	O-Ring seal 72x2 -NBR70	1	PC
110	4.553-001.3	Piston complete for replacement	3	PC
115	2.060-000.3	Piston guidance for replacement	1	PC
117	5.116-381.0	Supporting disk	3	PC
118	5.116-380.0	Washer piston guidance	3	PC



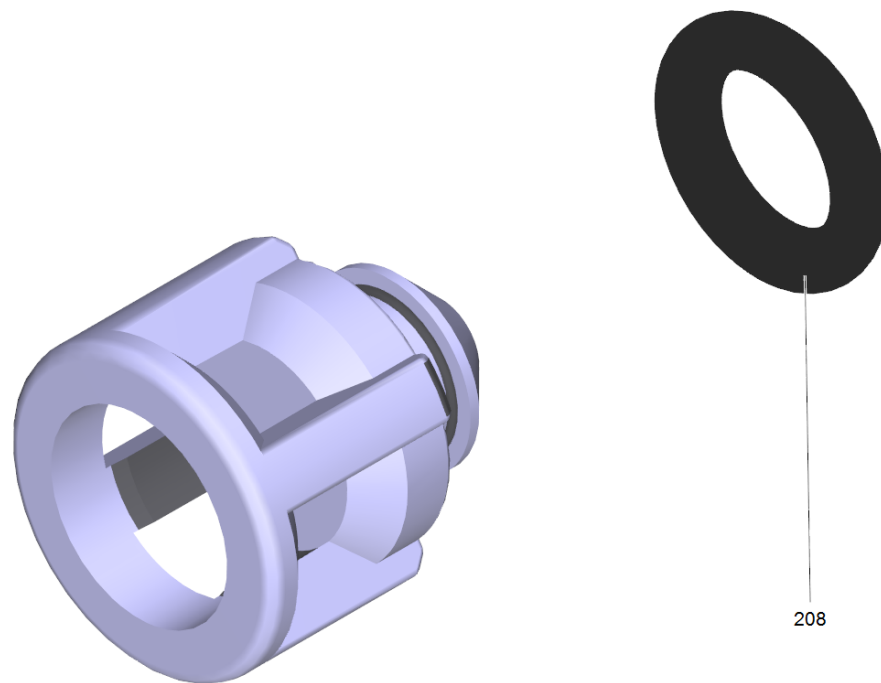
102 Cylinder head complete brass (4.550-942.0)

POS	Article no.	Description	Quantity	Unit
149	4.100-836.0	Spare parts set seals	3	PC



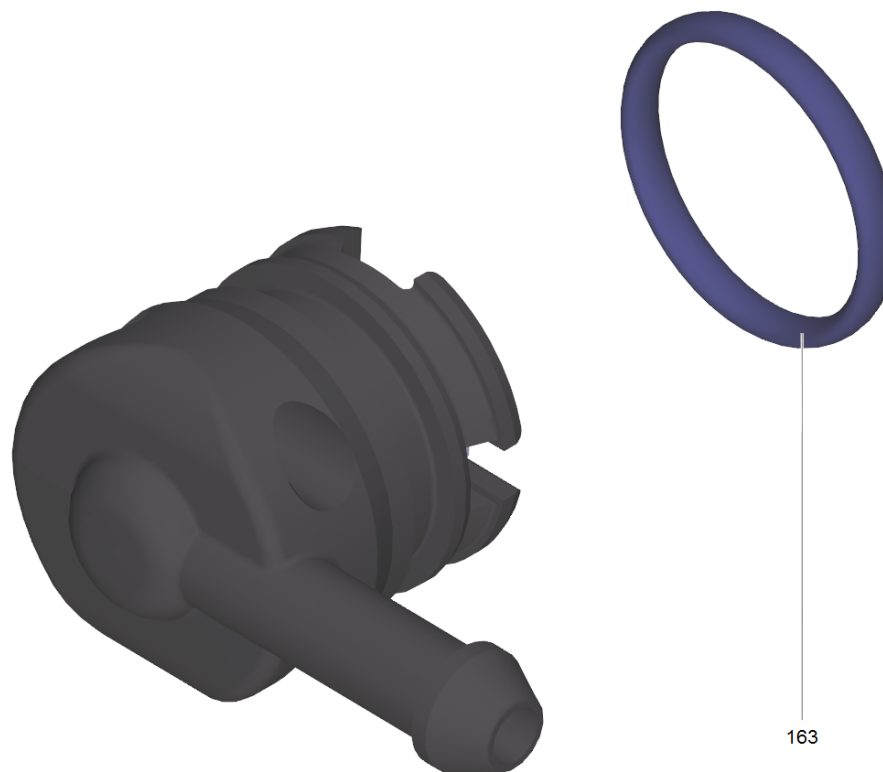
103 Control piston complete replacement (2.885-408.0)

POS	Article no.	Description	Quantity	Unit
133	6.363-606.0	O-Ring seal 4,7 x 1,9 -NBR70	1	PC
132	6.362-101.0	O-Ring seal 8 X 2	1	PC
136	6.363-614.0	O-Ring seal 9 x 2 -NBR90	1	PC
143	6.362-381.0	O-Ring seal 13x2 - NBR 70	1	PC



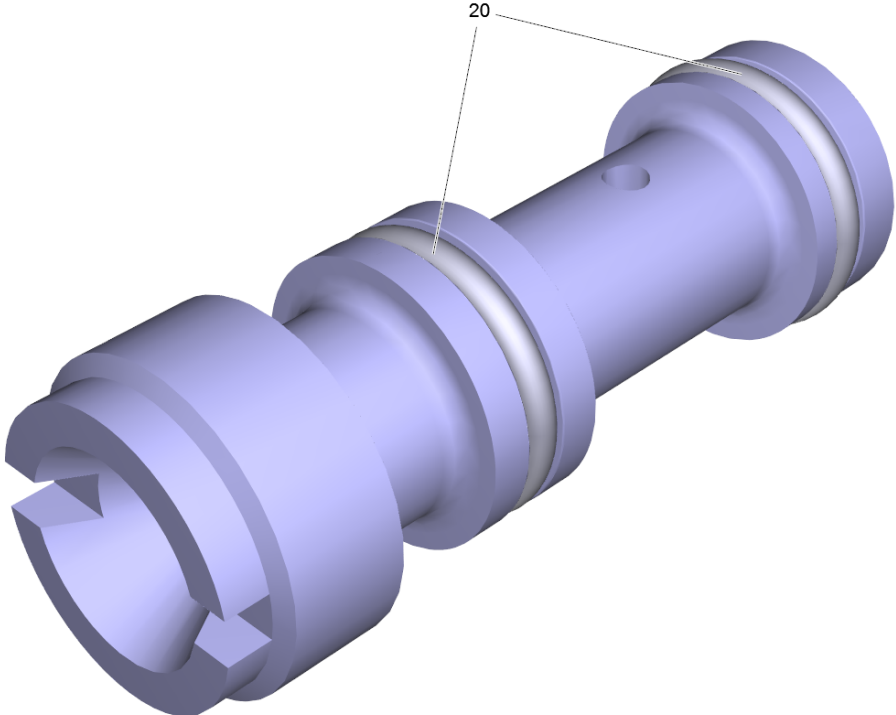
104 Valve pin complete (4.584-022.0)

POS	Article no.	Description	Quantity	Unit
208	6.363-613.0	O-Ring seal 4 x 2 -NBR90	1	PC



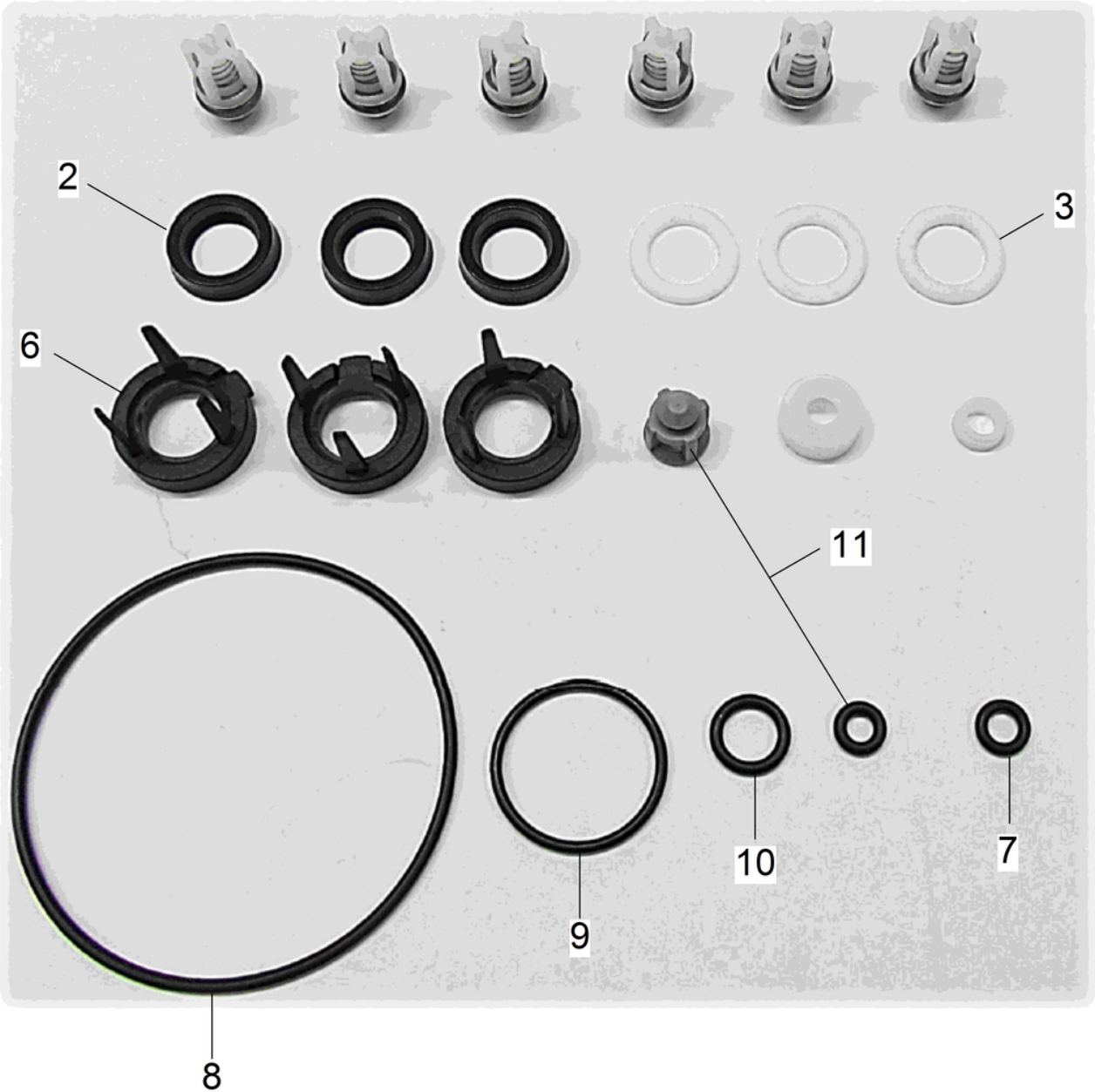
105 Plug complete (4.580-702.0)

POS	Article no.	Description	Quantity	Unit
163	6.362-030.0	O-Ring seal 15x2 90 Shore IRHD	1	PC



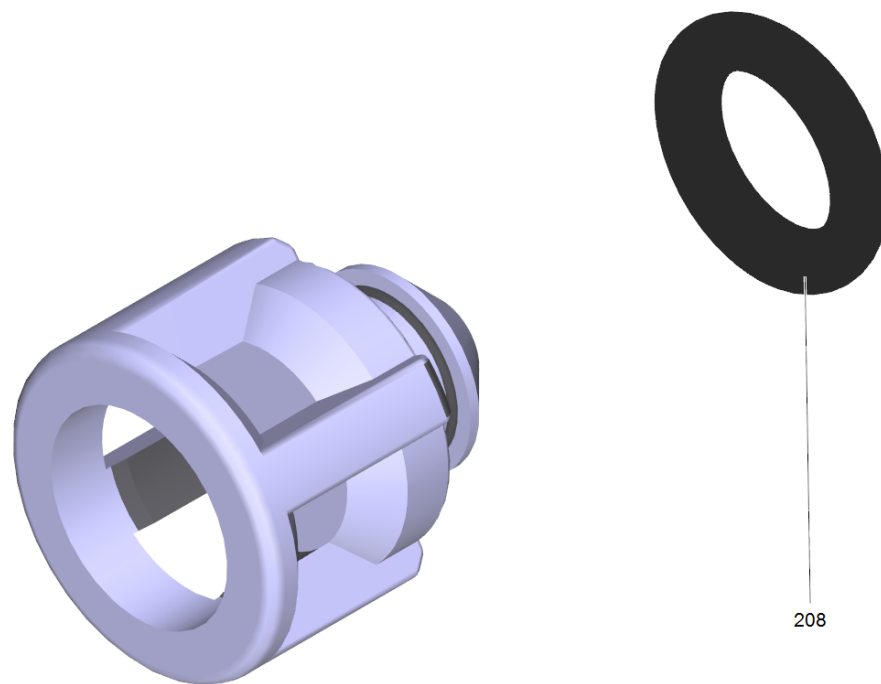
114 SPARE PART LIST NOZZLE INS 020/021 PUMP (9.139-372.0)

POS	Article no.	Description	Quantity	Unit
20	6.362-384.0	O-Ring seal 9x1,5 - NBR 70	2	PC



902 Pump set HDC (2.885-377.0)

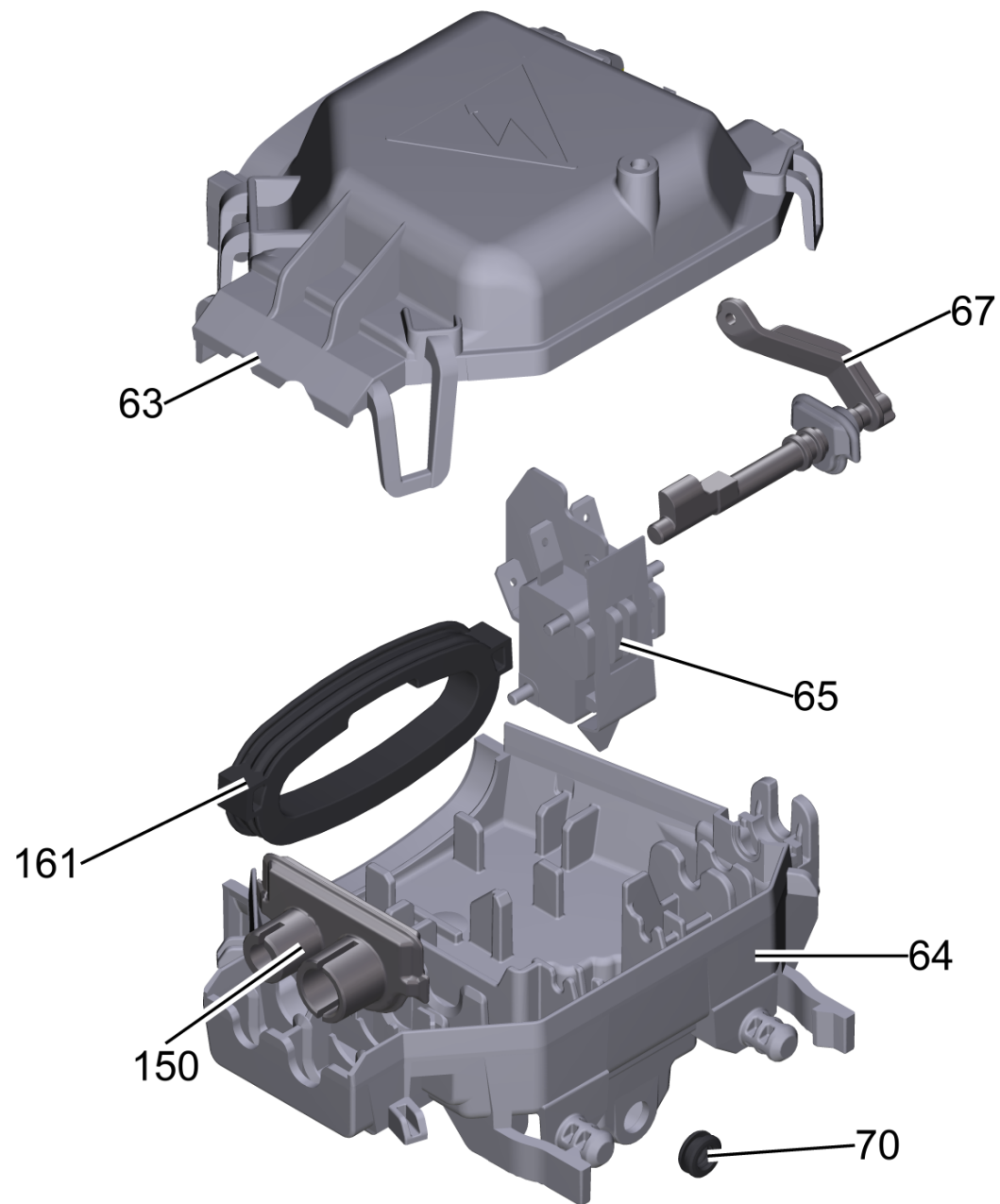
POS	Article no.	Description	Quantity	Unit
2	6.363-435.0	Grooved ring 12x17x4,25/2,5	3	PC
7	6.363-606.0	O-Ring seal 4,7 x 1,9 -NBR70	1	PC
10	6.362-101.0	O-Ring seal 8 X 2	1	PC
9	6.362-562.0	O-Ring seal 21,95X 1,78-NBR 90	1	PC
8	6.363-616.0	O-Ring seal 60,0x2,0 -NBR70	1	PC
6	5.116-381.0	Supporting disk	3	PC
11	4.584-022.0	Valve pin complete	1	PC
3	5.116-380.0	Washer piston guidance	3	PC



208

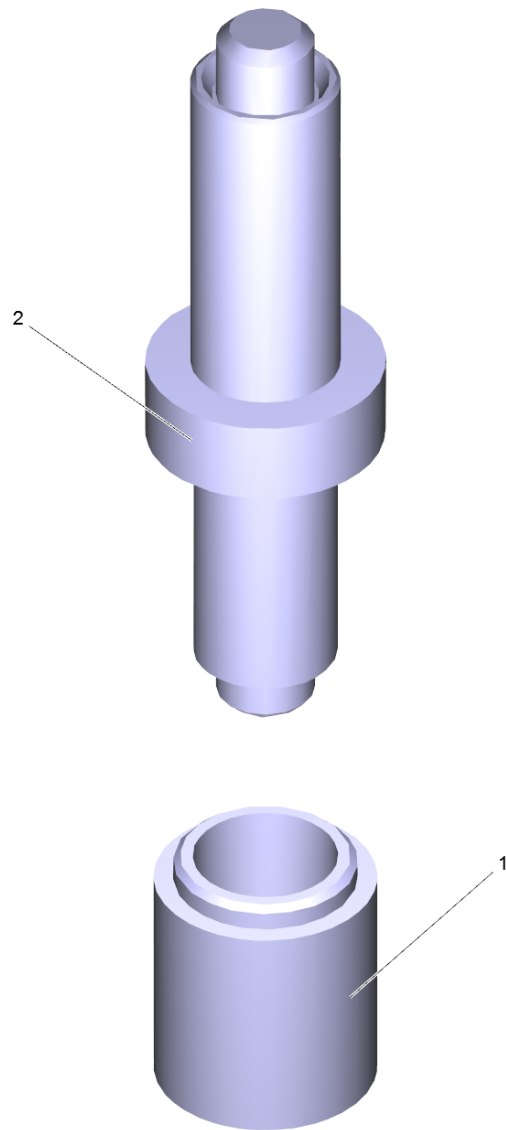
11 Valve pin complete (4.584-022.0)

POS	Article no.	Description	Quantity	Unit
208	6.363-613.0	O-Ring seal 4 x 2 -NBR90	1	PC



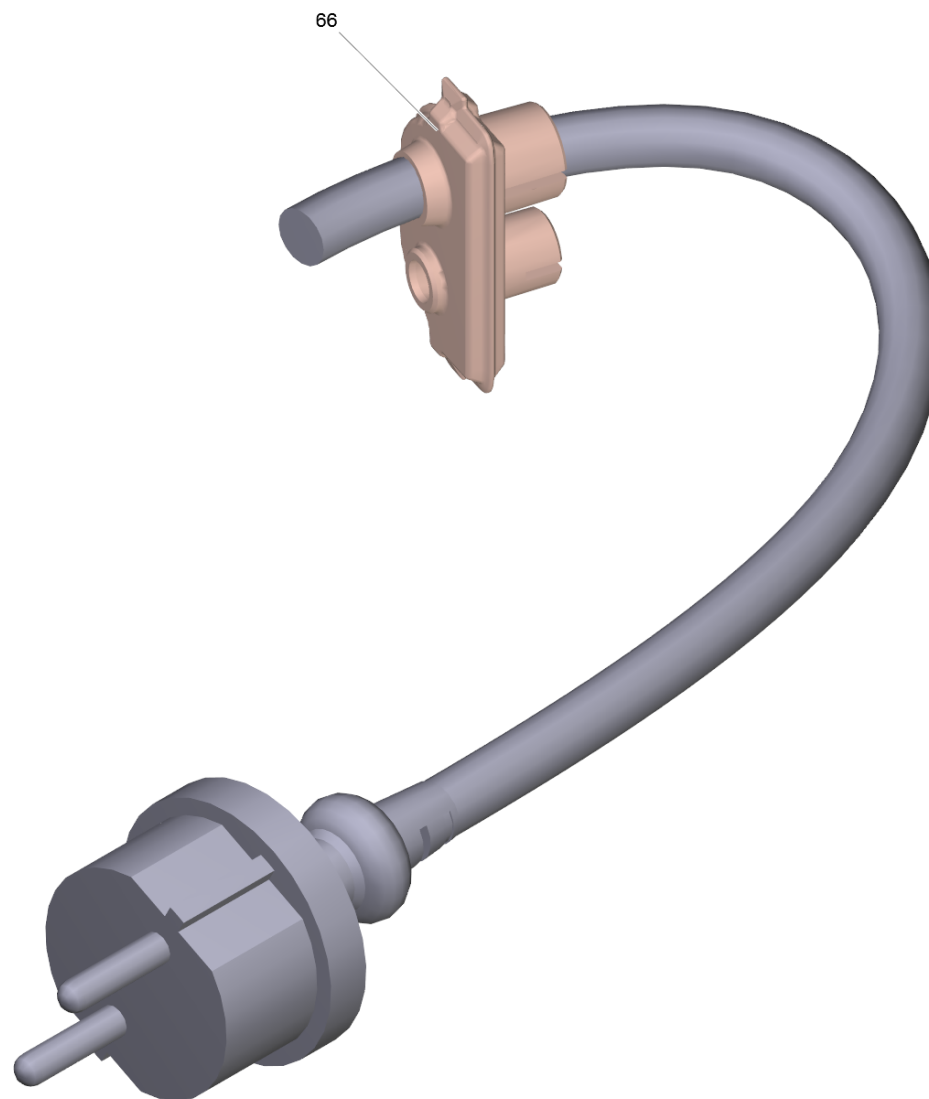
53 Electric box complete HDC

POS	Article no.	Description	Quantity	Unit
63	5.064-431.0	Cover electric box HDC	1	PC
64	5.811-140.3	Electric box HDC	1	PC
65	6.961-079.3	Micro switch	1	PC
150	5.363-807.0	Seal cable HDC	1	PC
70	5.363-749.0	Seal control piston	1	PC
161	5.363-761.0	Seal label	1	PC
67	2.885-376.0	Selector shaft spare parts set HDC	1	PC



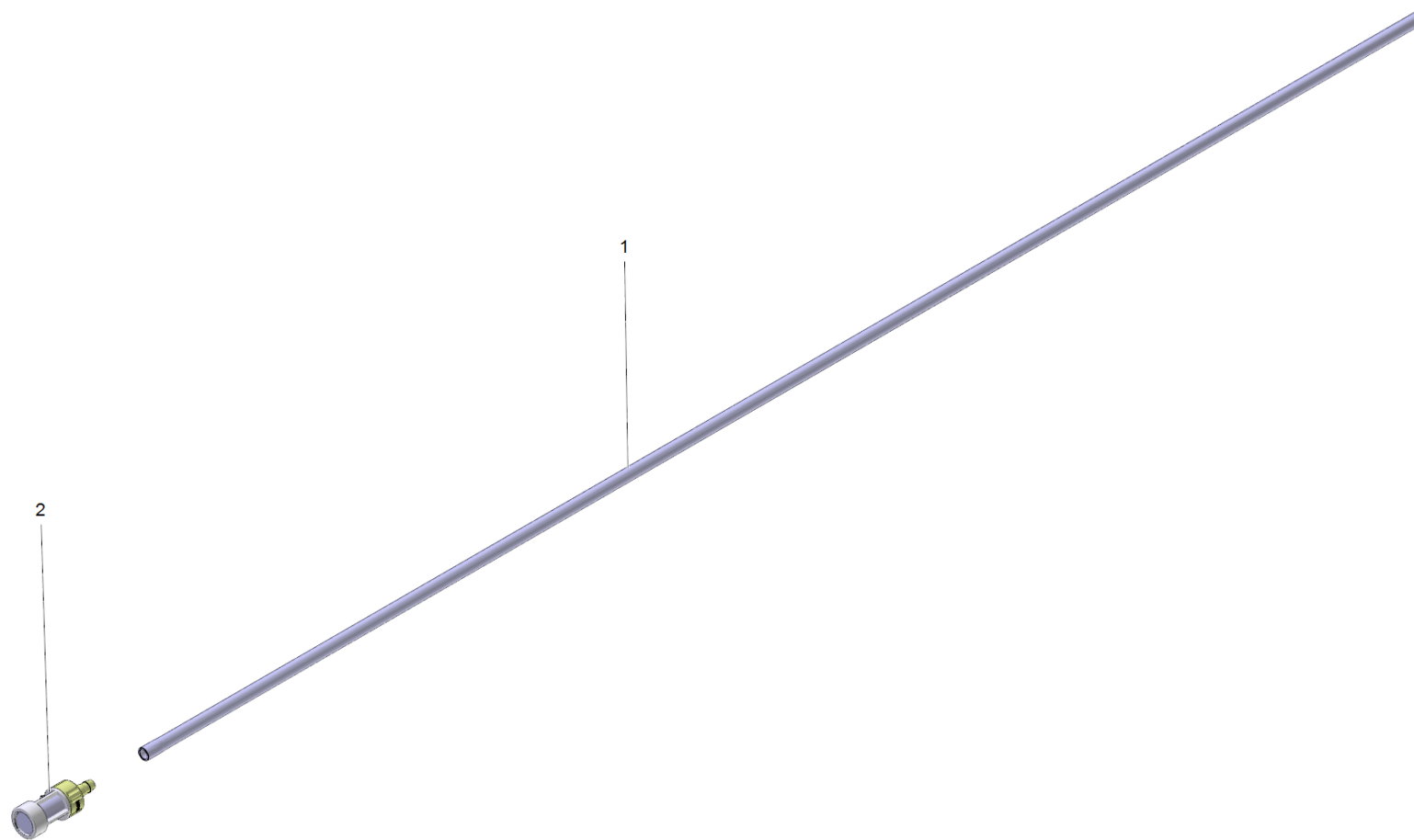
999 Tool (2.901-048.0)

POS	Article no.	Description	Quantity	Unit
2	5.901-224.0	Assembly mandril A=16,8-B=11,5mm	1	PC
1	5.901-223.0	Fitting case C=21,4- D=16,9mm	1	PC



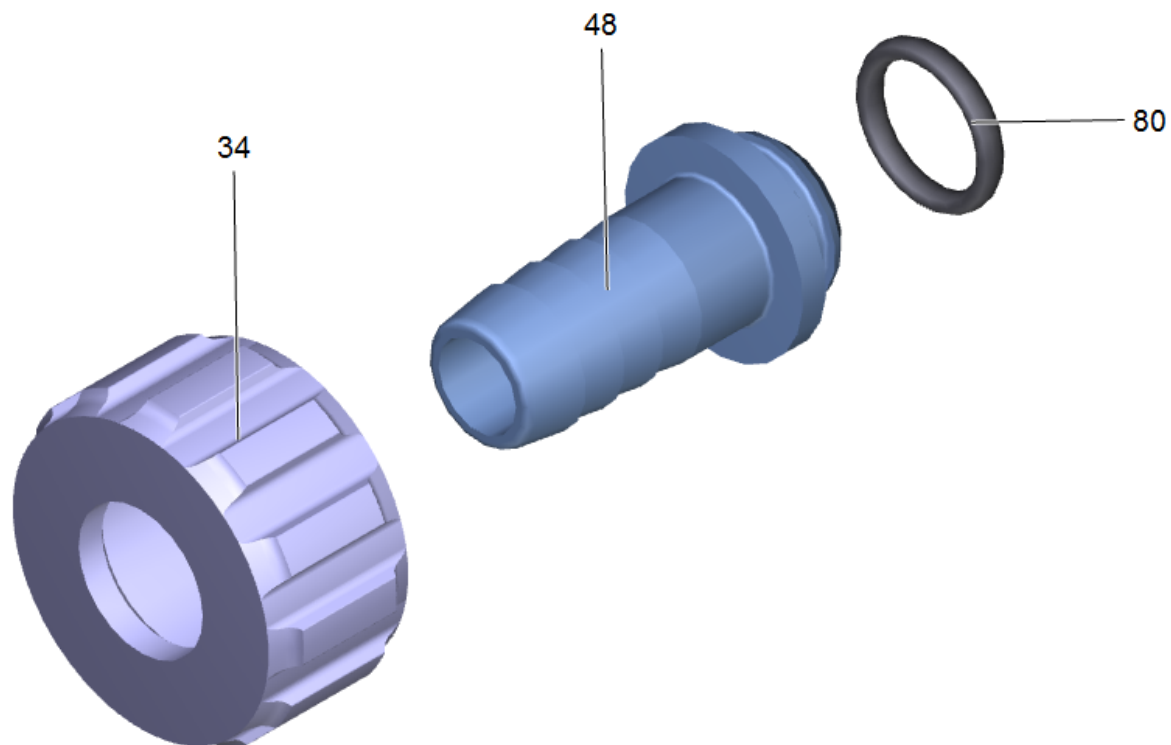
12 Cable with plug *EU (6.650-201.3)

POS	Article no.	Description	Quantity	Unit
66	5.363-807.0	Seal cable HDC	1	PC



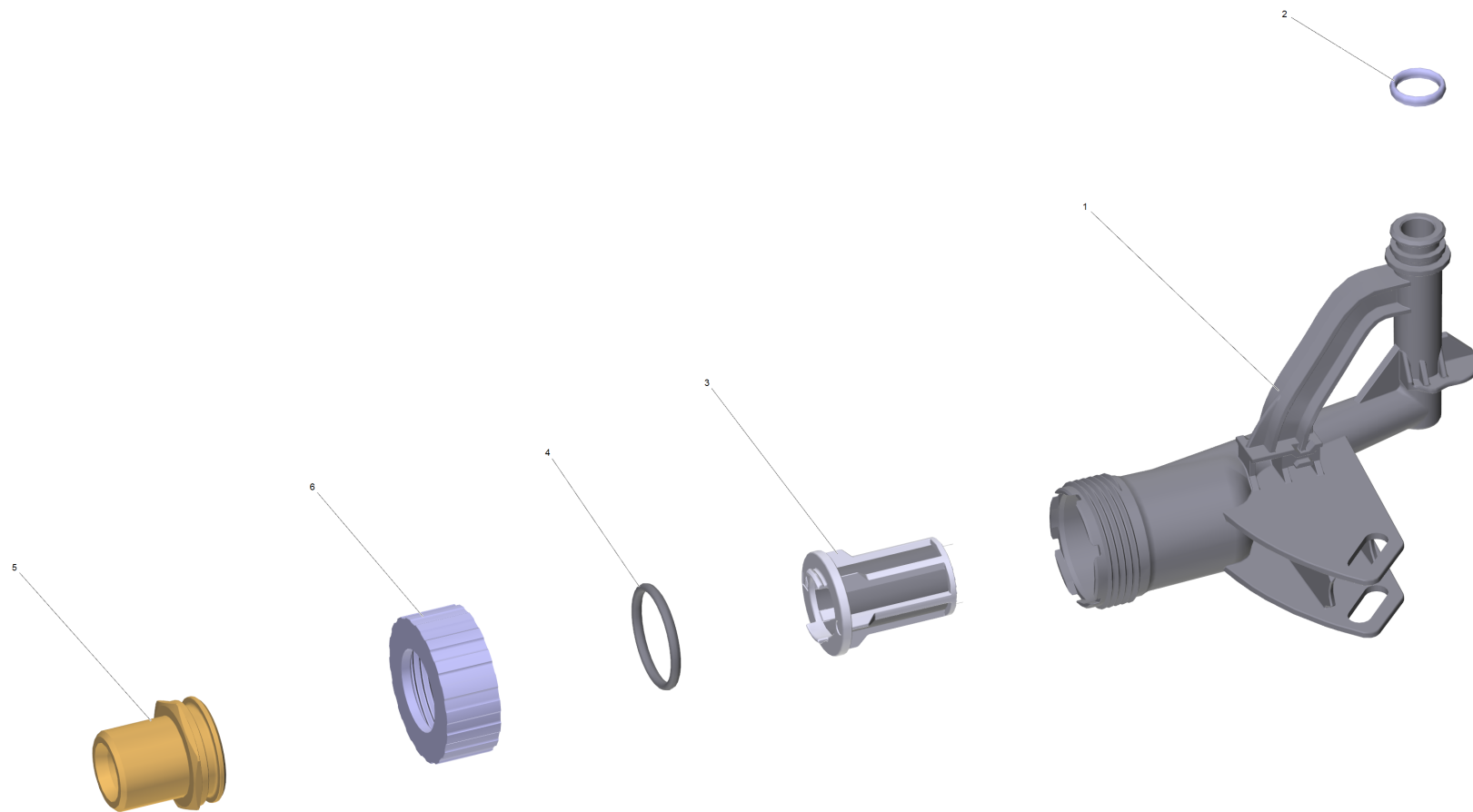
31 Filter with hose RM 1,05

POS	Article no.	Description	Quantity	Unit
2	4.862-225.0	Filter chemistry regulation	1	PC
1	6.388-216.0	Hose DN 5 (PVC)	1	m



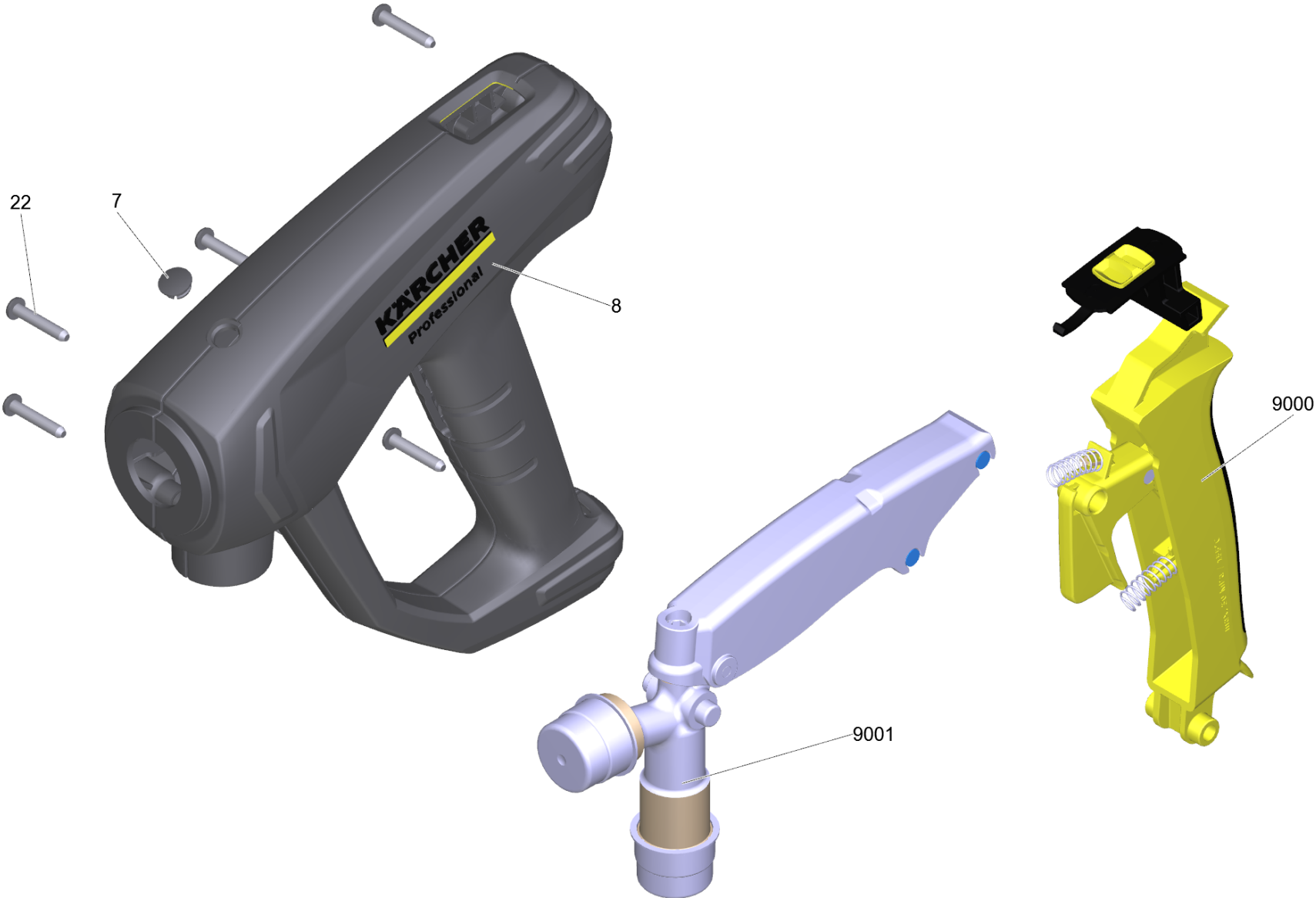
43 Screw connector part

POS	Article no.	Description	Quantity	Unit
48	5.443-229.0	Hose stem	1	PC
34	5.310-065.0	Nut	1	PC
80	6.362-078.0	O-Ring seal 13,3x2,4	1	PC



50 Water intake complete

POS	Article no.	Description	Quantity	Unit
5	5.064-517.0	Connection piece water intake G 3/4 A	1	PC
3	5.731-059.0	Filter cartridge with cone (mesh 100)	1	PC
6	5.064-465.0	Nut water intake	1	PC
2	6.363-610.0	O-Ring seal 13 x 3 -NBR	1	PC
4	6.363-437.0	O-Ring seal 30x3	1	PC
1	5.443-672.0	Tube water intake	1	PC

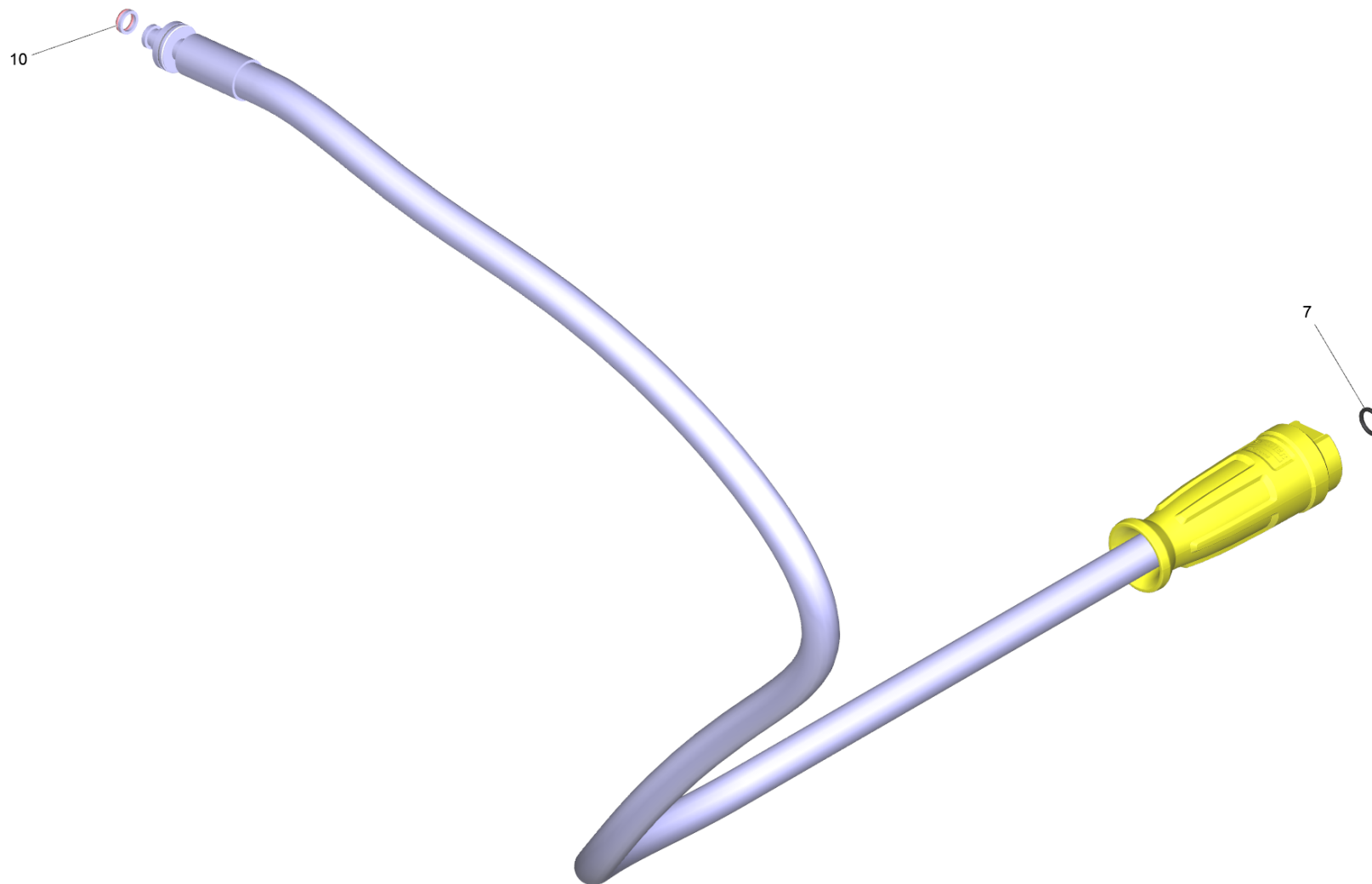


60 EASY!Force Advanced (4.118-005.0)

POS	Article no.	Description	Quantity	Unit
8	5.321-136.3	Handhold few EH 155 only for replacement	1	PC
9001	4.427-014.0	Manifold TR EH 155 nur fuer Ersatz	1	PC
7	5.132-001.0	Plug	1	PC
22	7.303-096.0	Screw 4x22-ST-10.9-R2R (IN6RD)	7	PC
9000	2.885-483.0	Spare part set lever	1	PC

9000 Spare part set lever (2.885-483.0)

POS	Article no.	Description	Quantity	Unit
4	5.332-178.0	Helical spring	2	PC

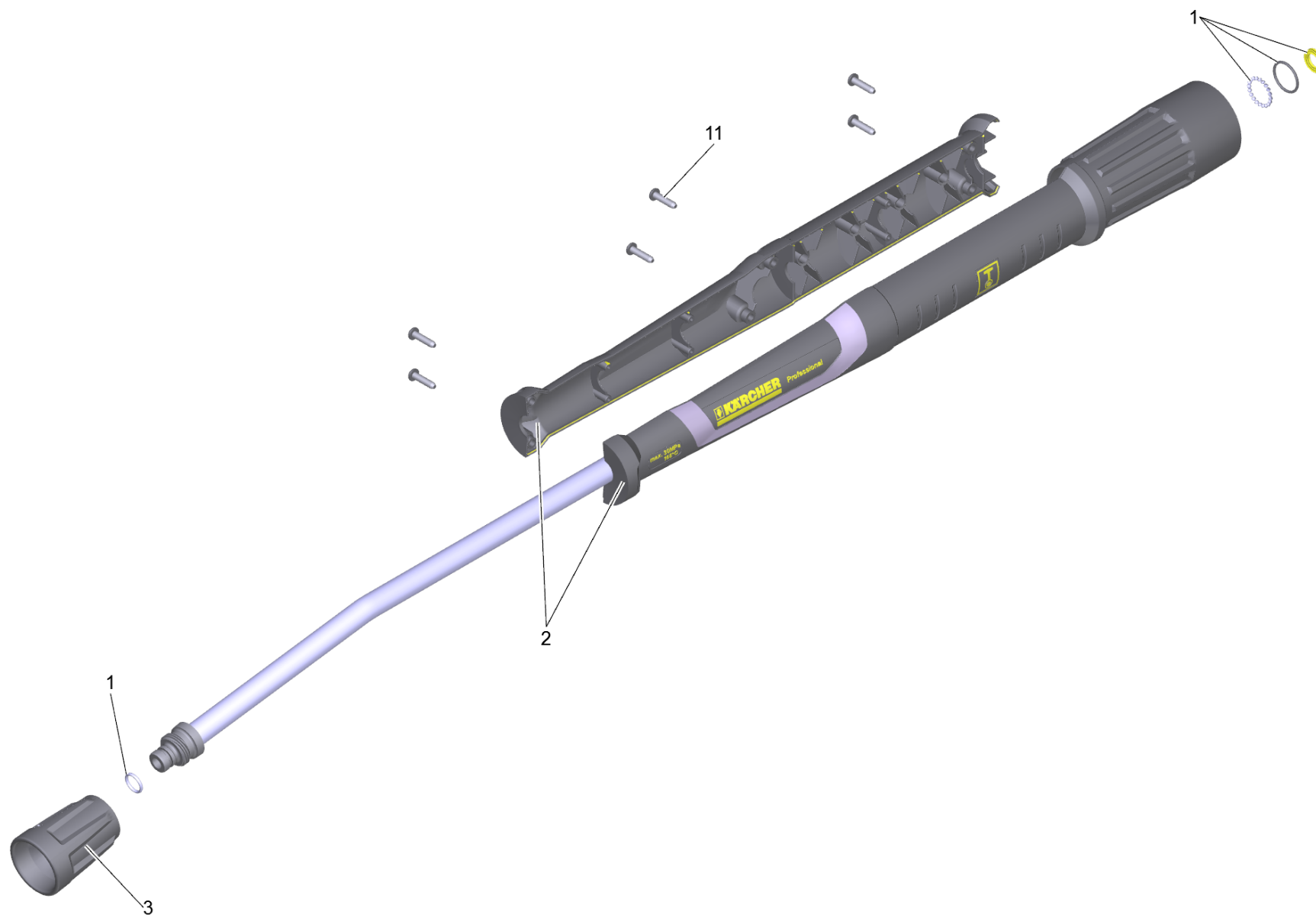


61 Hose assembly TR DN6 25MPa 15m (6.110-036.0)

POS	Article no.	Description	Quantity	Unit
7	2.880-154.0	O-Ring kit	1	PC
10	4.363-691.0	O-Ring seal kpl. -nur fuer Ersatz-	1	PC

62 Hook (4.037-013.0)

POS	Article no.	Description	Quantity	Unit
1	5.037-109.0	HOOK	1	PC

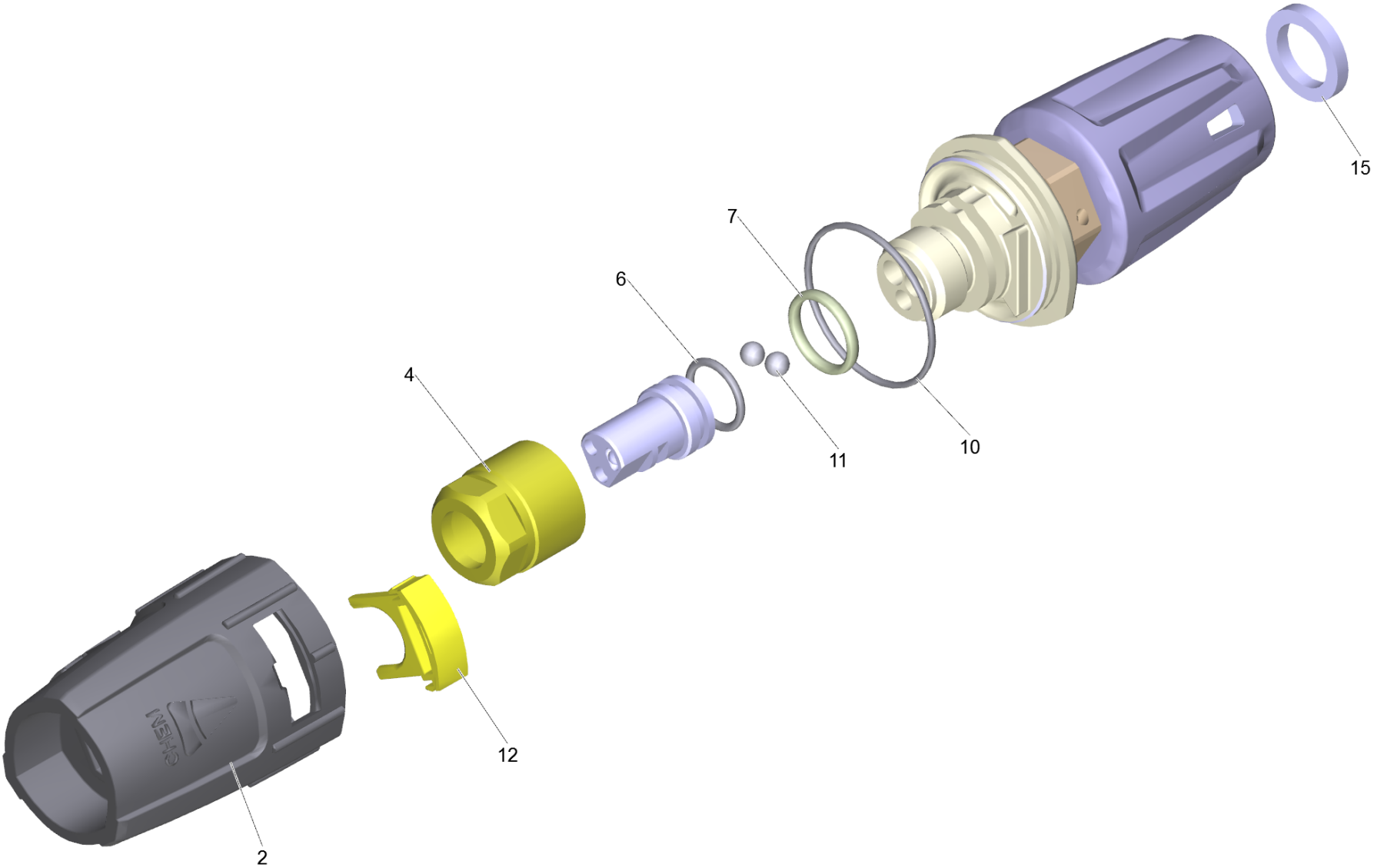


63 Jet pipe TR 840 mm (4.112-006.0)

POS	Article no.	Description	Quantity	Unit
2	5.321-018.3	Handle bowl jet pipe only for replacemen	1	PC
3	4.112-011.0	Protection part TR only for replacement	1	PC
11	7.303-129.0	Screw 4x16-10.9-R2R (K-In6Rd)	6	PC
1	4.100-688.0	Spare part set seal TR	1	PC

902 Triple jet nozzle TR 027 (4.117-023.0)

POS	Description	Quantity	Unit
1	Triple jet nozzle TR 027	1	PC



1 Triple jet nozzle TR 027

POS	Article no.	Description	Quantity	Unit
15	6.363-696.0	Brake ring 14x20x3	1	PC
12	5.321-884.0	Clamp	1	PC
4	5.311-225.0	Nut	1	PC
6	6.362-480.0	O-Ring seal 12,42x 1,78	1	PC
7	6.362-460.0	O-Ring seal 14,0 X 2,5-NBR 70	1	PC
10	6.362-409.0	O-Ring seal 32,0 X 1,5	1	PC
2	5.394-859.0	Protection part	1	PC
11	7.401-902.0	Sphere 5 G20 -1.4034 DIN 5401	2	PC