

Spare parts list

(1.286-904.0) HD 10/25-4 S *KAP

Table of contents

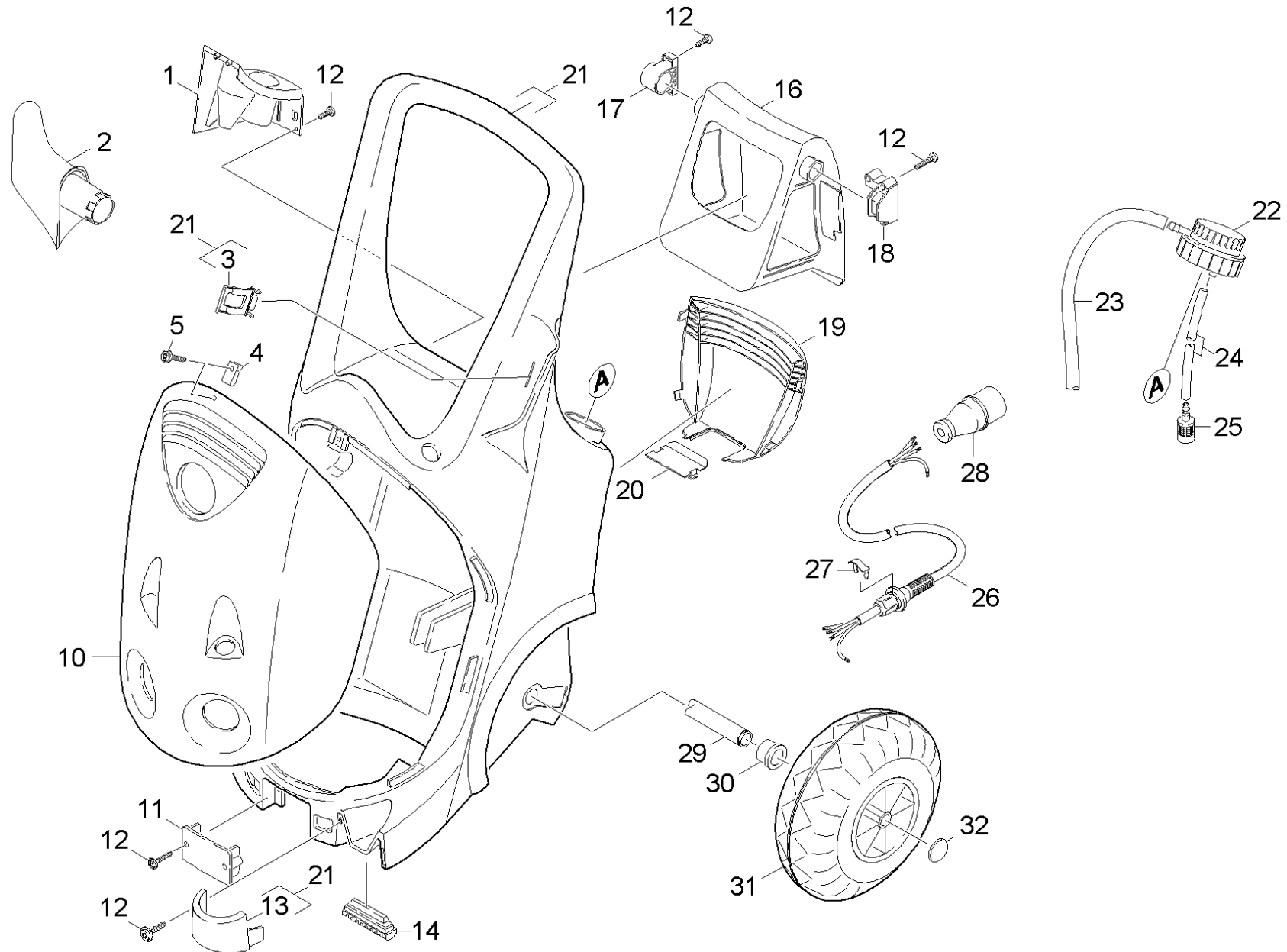
HD 10/25-4 S *KAP (1.286-904.0)	3
Spare parts list HD 10/25-4S *KAP (5.973-946.0)	4
10 Housing	5
21 Frame complete (4.050-601.0)	7
20 Pump set	9
21 Cylinder head	10
3 SPARE PARTS SET (2.883-988.0)	12
12 Overflow valve -nur fuer Ersatz- (2.885-129.0)	14
28 Nozzle insert complete (4.769-000.0)	16
100 PUMP SET HD 1095 (2.883-902.0)	18
10 Valve (3 Stueck) (2.884-512.0)	20
20 Valve complete (4.580-594.0)	22
22 Piston	24
23 Valves	26
4 Manifold complete (4.427-216.0)	28
7 Valve (3 Stueck) (2.884-512.0)	30
12 Valve complete (4.580-594.0)	32
24 Water filter	34
5 Filter complete (4.730-161.0)	36
30 Motor	38
40 Accessories	40
41 EASY!Force Advanced (4.118-005.0)	42
1 Hand trigger gun TR EH 155	43
9000 Spare part set lever (2.885-483.0)	45
42 Hose assembly TR rotatable DN8 31,5MPa 1 (6.110-030.0)	47
1 Hose assembly TR rotatable DN8 31,5MPa 1	48
43 Rotary controller TR 416L (4.118-008.0)	50
1 Rotary controller TR 416L	51
44 Jet pipe TR 1050 mm (4.112-000.0)	53
1 Jet pipe TR 1050 mm	54
45 Power nozzle TR 25055 (2.113-025.0)	56
46 Nozzle chemical TR 25250 (2.113-020.0)	58
50 Electric box	60
1020 Short spare parts list	62

HD 10/25-4 S *KAP (1.286-904.0)

POS	Article no.	Description	Quantity	Unit
0		PAIS HD 10/25 *	1.000	ST
0	5.973-946.0	Spare parts list HD 10/25-4S *KAP	1.000	ST
1020		Short spare parts list	1.000	ST

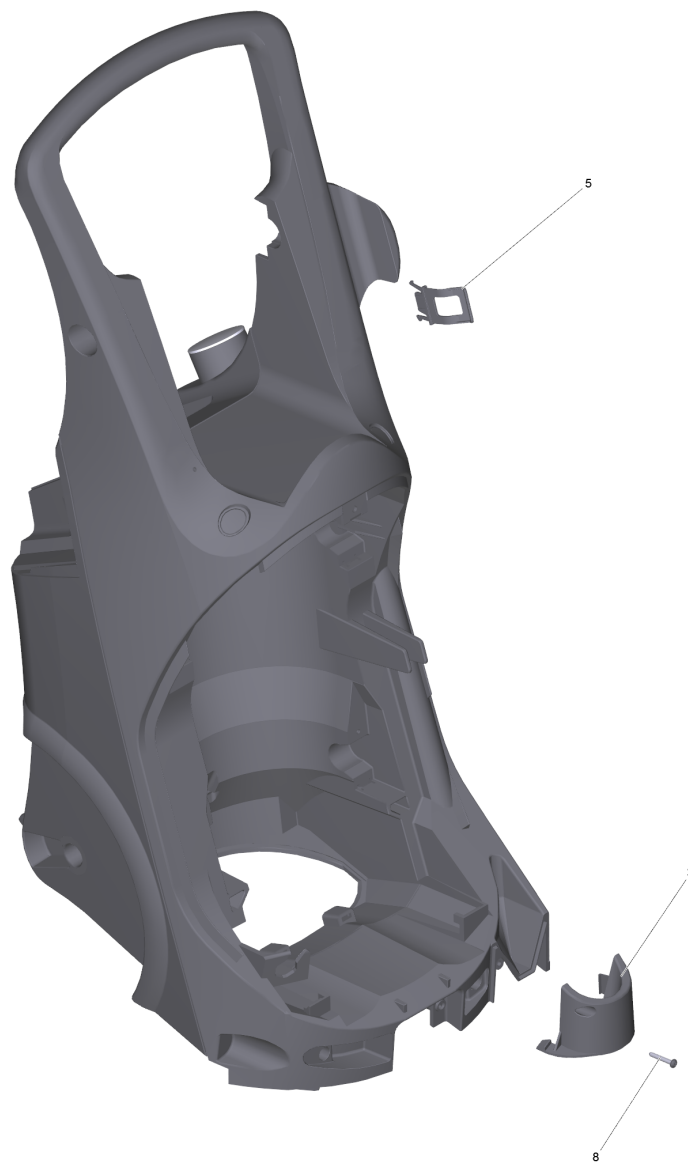
Spare parts list HD 10/25-4S *KAP (5.973-946.0)

POS	Description	Quantity	Unit
10	Housing	1.000	ST
20	Pump set	1.000	ST
30	Motor	1.000	ST
40	Accessories	1.000	ST
50	Electric box	1.000	ST



10 Housing

POS	Article no.	Description	Quantity	Unit	Foot note text
1	5.667-061.0	Nozzle holder	1.000	ST	
2	5.044-668.0	Holder	1.000	ST	
3	5.044-666.0	Holder jet pipe	1.000	ST	
4	6.310-053.0	Putting nut	1.000	ST	
5	6.304-099.0	Saucer-head screw M 6x 18-4.8-R2R	1.000	ST	
10	5.069-441.0	Cover basalt grey RAL7012	1.000	ST	
11	5.032-463.0	Covering cap hose guide	1.000	ST	
12	7.303-110.0	Screw 5x35 -10.9-R2R (In6Rd)	8.000	ST	
13	5.013-091.0	Funnel	1.000	ST	
14	5.057-062.0	Support	2.000	ST	
16	5.032-426.0	Covering cap	1.000	ST	
17	5.251-049.0	Bearing support right	1.000	ST	
18	5.251-048.0	Bearing support left	1.000	ST	
19	5.032-406.0	Covering cap	1.000	ST	
20	5.032-413.0	Covering cap drawer	1.000	ST	
21	4.050-601.0	Frame complete	1.000	ST	
22	4.580-814.0	Chemistry mertering valve only for repla	1.000	ST	
23	6.388-194.0	Hose DN 7	1.000	M	TO ORDER AS CUT GOODS
24	6.388-216.0	Hose DN 5	1.000	M	TO ORDER AS CUT GOODS
25	5.731-652.0	Filter with weight	1.000	ST	
26	6.648-814.0	Cable complete	1.000	ST	
27	6.343-186.0	Locking ring	1.000	ST	
28	6.646-044.0	Plug CEE-32 A	1.000	ST	
29	5.094-144.0	Axle	1.000	ST	
30	5.110-378.0	Sleeve	2.000	ST	
31	6.435-008.0	Wheel	2.000	ST	
32	6.343-137.0	Quick-fastener	2.000	ST	

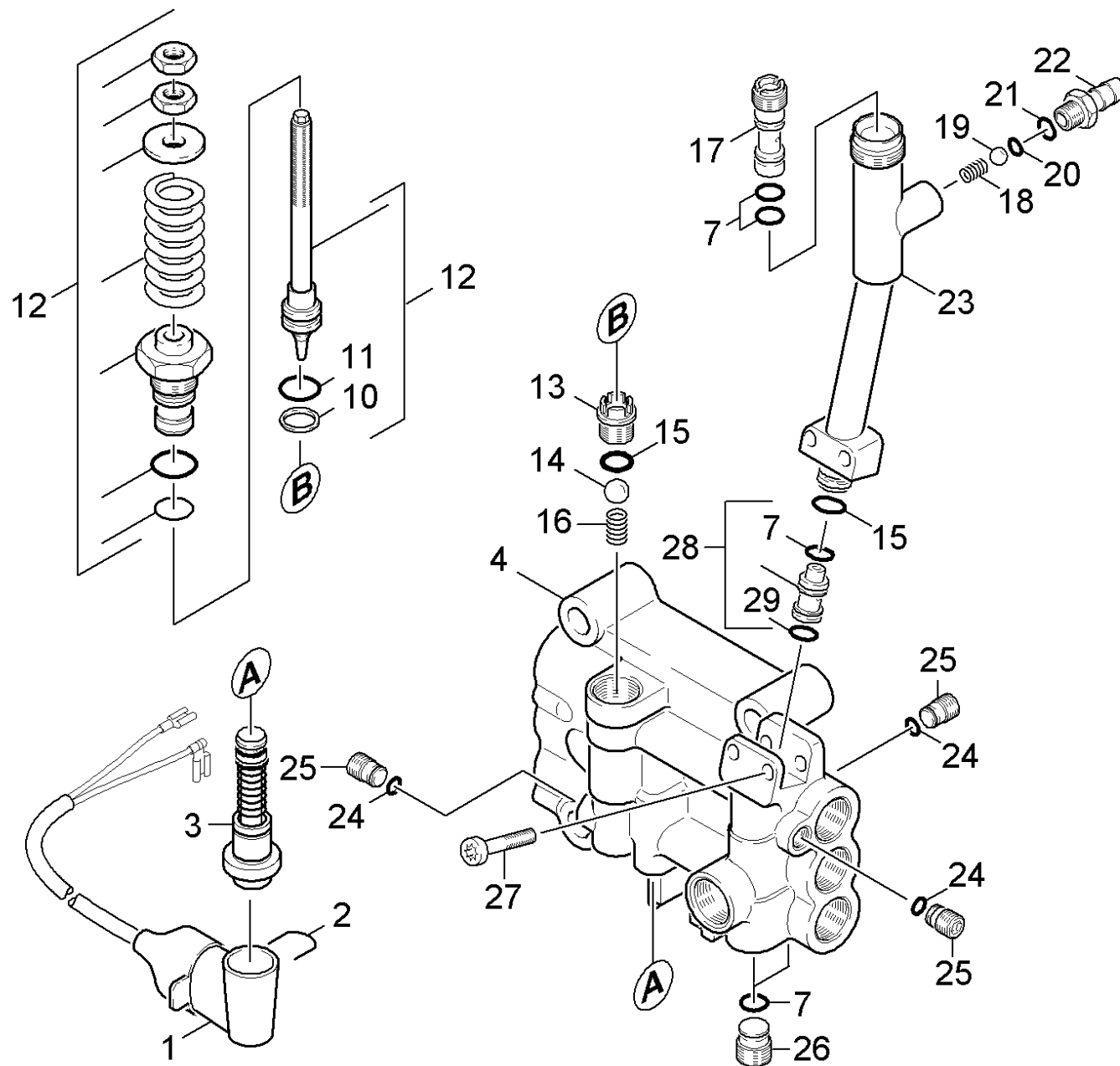


21 Frame complete (4.050-601.0)

POS	Article no.	Description	Quantity	Unit
3	5.013-091.0	Funnel	1.000	ST
5	5.044-666.0	Holder jet pipe	1.000	ST
8	7.303-110.0	Screw 5x35 -10.9-R2R (In6Rd)	1.000	ST

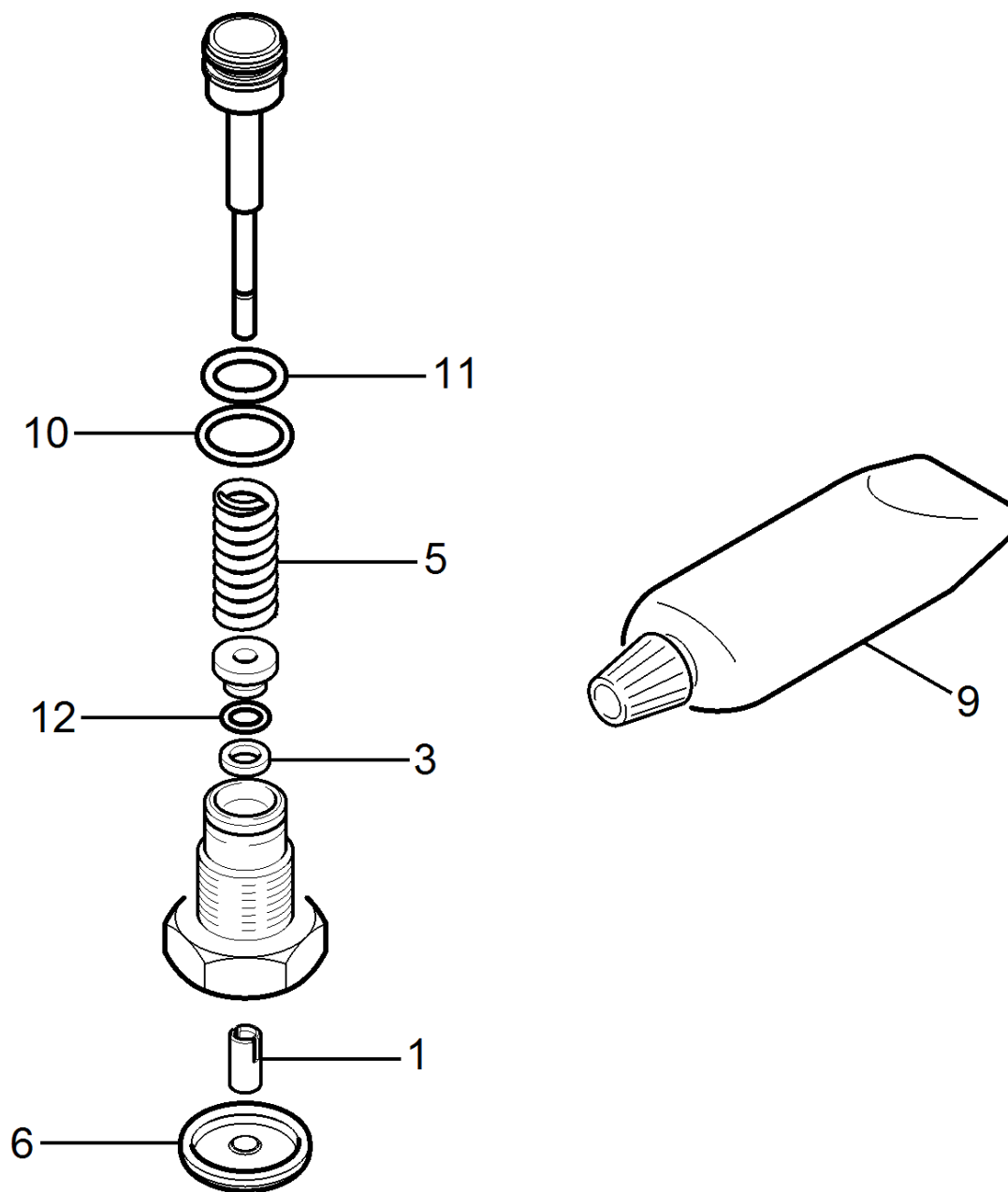
20 Pump set

POS	Description	Quantity	Unit
21	Cylinder head	1.000	ST
22	Piston	1.000	ST
23	Valves	1.000	ST
24	Water filter	1.000	ST



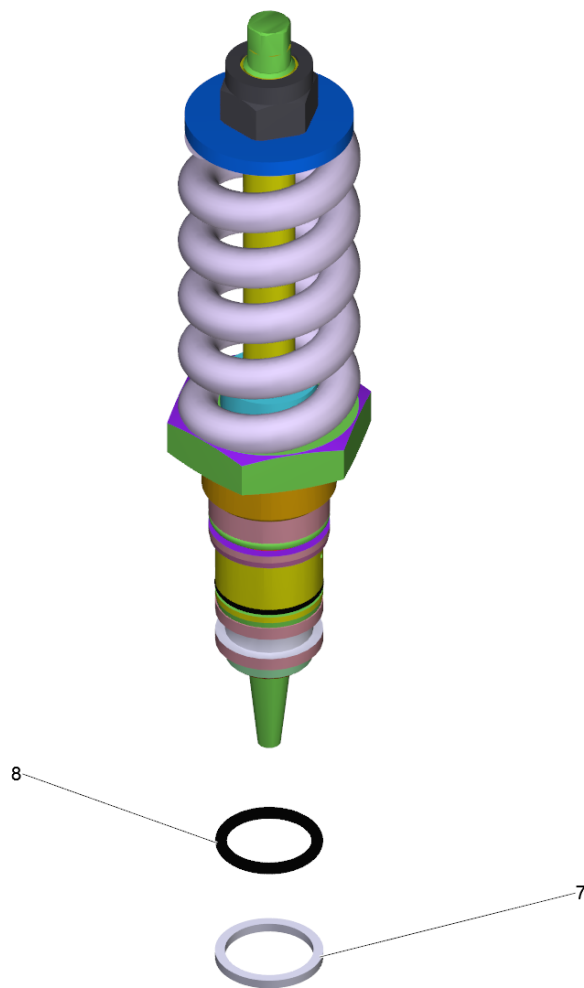
21 Cylinder head

POS	Article no.	Description	Quantity	Unit
1	4.744-239.0	Switch complete replacement	1.000	ST
2	5.034-494.0	Retaining bracket	1.000	ST
3	2.883-988.0	SPARE PARTS SET	1.000	ST
4	2.885-130.0	Cylinder head -nur fuer Ersatz-	1.000	ST
7	6.362-384.0	O-Ring seal 9x1,5 - NBR 70	5.000	ST
10	5.114-511.0	Supportring	1.000	ST
11	6.363-244.0	O-Ring seal 12.42x1.78	1.000	ST
12	2.885-129.0	Overflow valve -nur fuer Ersatz-	1.000	ST
13	5.581-270.0	Valve seat	1.000	ST
14	7.401-910.0	Sphere 3/8 G80-1.4034 DIN 5401	1.000	ST
15	6.362-151.0	O-Ring d. 10 x 2 NBR 70	2.000	ST
16	5.332-999.0	Helical spring	1.000	ST
17	5.769-082.0	Nozzle insert D2.0/ D2.7/ L38	1.000	ST
18	5.332-258.0	Helical spring	1.000	ST
19	7.401-908.0	Sphere 7 G300 -1.4301 DIN 5401	1.000	ST
20	6.363-597.0	O-Ring seal 5,28 x 1,78	1.000	ST
21	6.362-113.0	O-Ring seal 6,0 x 2,0 NBR 70	1.000	ST
22	5.443-370.0	Nipple	1.000	ST
23	5.427-010.3	Manifold TR high-pressure outlet	1.000	ST
24	6.362-703.0	O-Ring seal 6,0x1,5-NBR 70	3.000	ST
25	5.411-161.0	CLOSING SCREW M10X1	3.000	ST
26	5.411-152.0	Screw plug	2.000	ST
27	7.306-118.0	Screw M 6x35 -8.8-R3R (In6Rd)	2.000	ST
28	4.769-000.0	Nozzle insert complete	1.000	ST
29	6.363-282.0	O-Ring seal 6,3x2,4-NBR 70	1.000	ST
100	2.883-902.0	PUMP SET HD 1095	1.000	ST



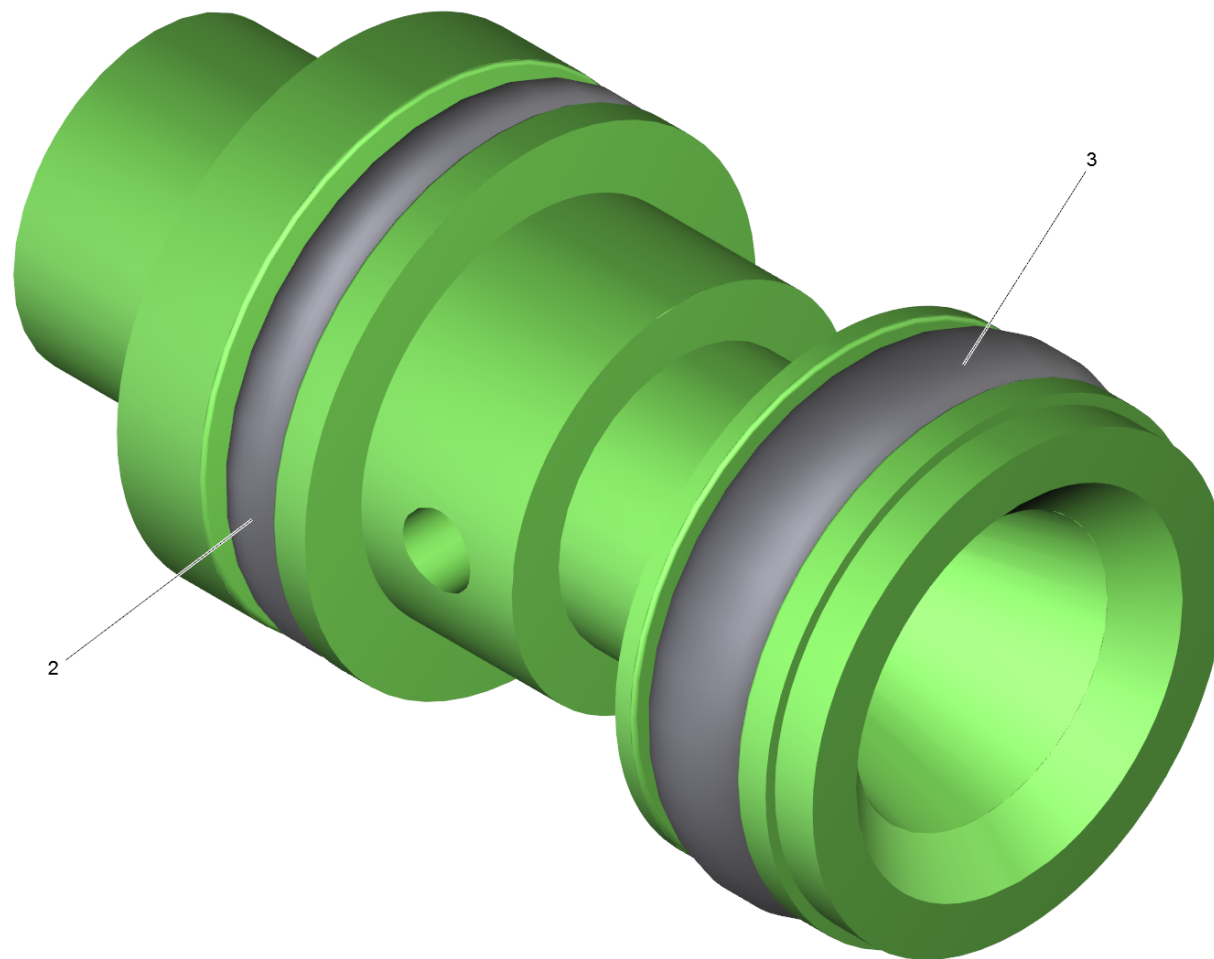
3 SPARE PARTS SET (2.883-988.0)

POS	Article no.	Description	Quantity	Unit
1	5.110-947.0	Sleeve	1.000	ST
3	5.114-513.0	Supportring	1.000	ST
5	5.332-511.0	Helical spring	1.000	ST
6	5.367-030.0	Diaphragm	1.000	ST
9	6.288-044.0	Silicon grease 100 G	1.000	ST
10	6.363-615.0	O-Ring seal 11 x 1,5 -NBR70	1.000	ST
11	6.363-611.0	O-Ring seal 8,73 x 1,78 -NBR	1.000	ST
12	6.363-241.0	O-Ring seal 2,90x1,78	1.000	ST



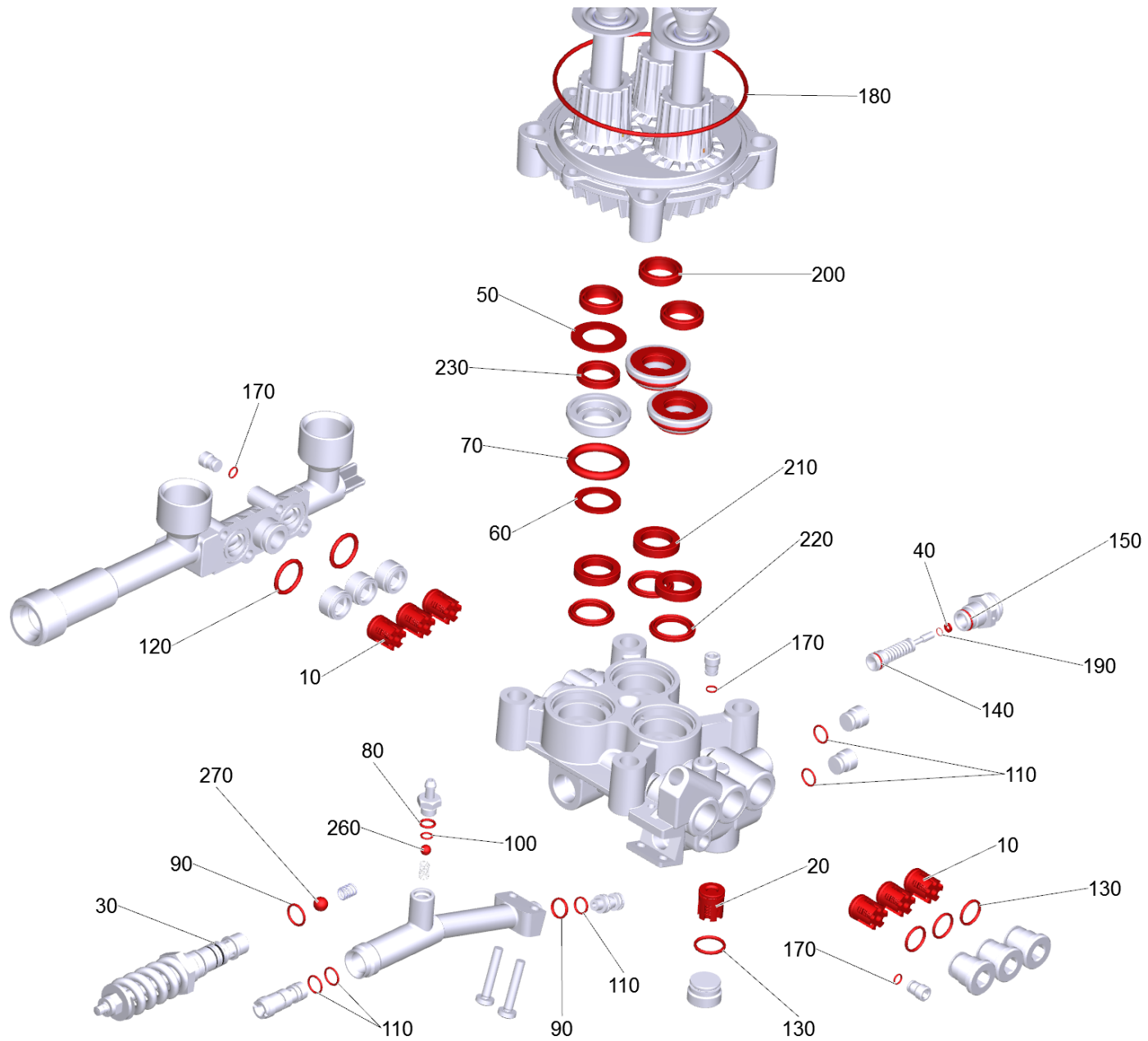
12 Overflow valve -nur fuer Ersatz- (2.885-129.0)

POS	Article no.	Description	Quantity	Unit
7	5.114-511.0	Supportring	1.000	ST
8	6.363-244.0	O-Ring seal 12.42x1.78	1.000	ST



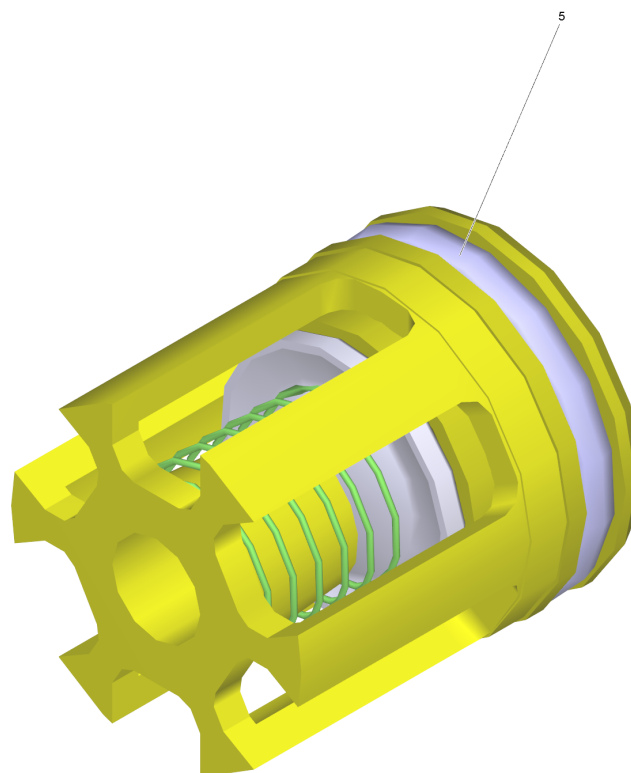
28 Nozzle insert complete (4.769-000.0)

POS	Article no.	Description	Quantity	Unit
2	6.362-384.0	O-Ring seal 9x1,5 - NBR 70	1.000	ST
3	6.363-282.0	O-Ring seal 6,3x2,4-NBR 70	1.000	ST



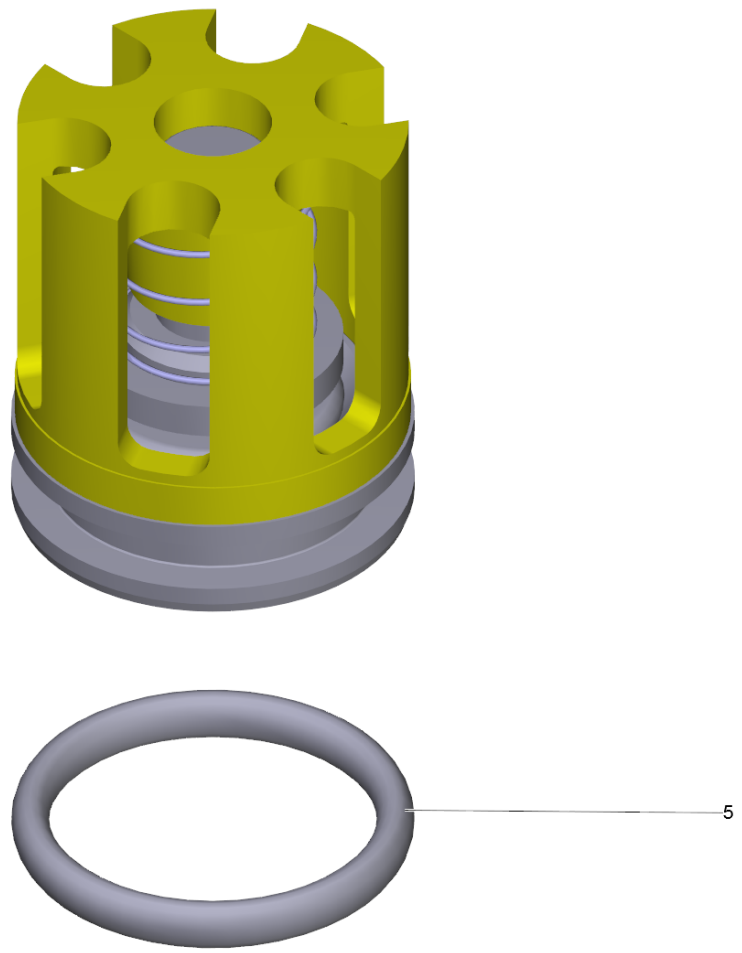
100 PUMP SET HD 1095 (2.883-902.0)

POS	Article no.	Description	Quantity	Unit
10	2.884-512.0	Valve (3 Stueck)	2.000	ST
20	4.580-594.0	Valve complete	1.000	ST
30	5.114-512.0	Supportring	1.000	ST
40	5.114-513.0	Supportring	1.000	ST
50	5.115-537.0	Washer	3.000	ST
60	5.115-538.0	Washer	3.000	ST
70	6.362-092.0	O-Ring seal 36,0 X 2,0-NBR 70	3.000	ST
80	6.362-113.0	O-Ring seal 6,0 x 2,0 NBR 70	1.000	ST
90	6.362-151.0	O-Ring d. 10 x 2 NBR 70	2.000	ST
100	6.363-597.0	O-Ring seal 5,28 x 1,78	1.000	ST
110	6.362-384.0	O-Ring seal 9x1,5 - NBR 70	6.000	ST
120	6.362-469.0	O-Ring seal 21,95X 1,78	2.000	ST
130	6.362-481.0	O-Ring seal 14,0 x 2,0 NBR 80	4.000	ST
140	6.363-611.0	O-Ring seal 8,73 x 1,78 -NBR	1.000	ST
150	6.363-615.0	O-Ring seal 11 x 1,5 -NBR70	1.000	ST
160	6.362-580.0	O-Ring seal 17,0 X 2,0-NBR 70	1.000	ST
170	6.362-703.0	O-Ring seal 6,0x1,5-NBR 70	3.000	ST
180	6.363-228.0	O-Ring seal 114 x 3	1.000	ST
190	6.363-241.0	O-Ring seal 2,90x1,78	1.000	ST
200	6.365-052.0	Grooved ring 20X28X6/8	3.000	ST
210	6.365-377.0	Grooved ring 20x30x6	3.000	ST
220	6.365-378.0	Supportring 20x30x4,2	3.000	ST
230	6.365-380.0	Set of gaskets low-pressure	3.000	ST
260	7.401-908.0	Sphere 7 G300 -1.4301 DIN 5401	1.000	ST
270	7.401-910.0	Sphere 3/8 G80-1.4034 DIN 5401	1.000	ST



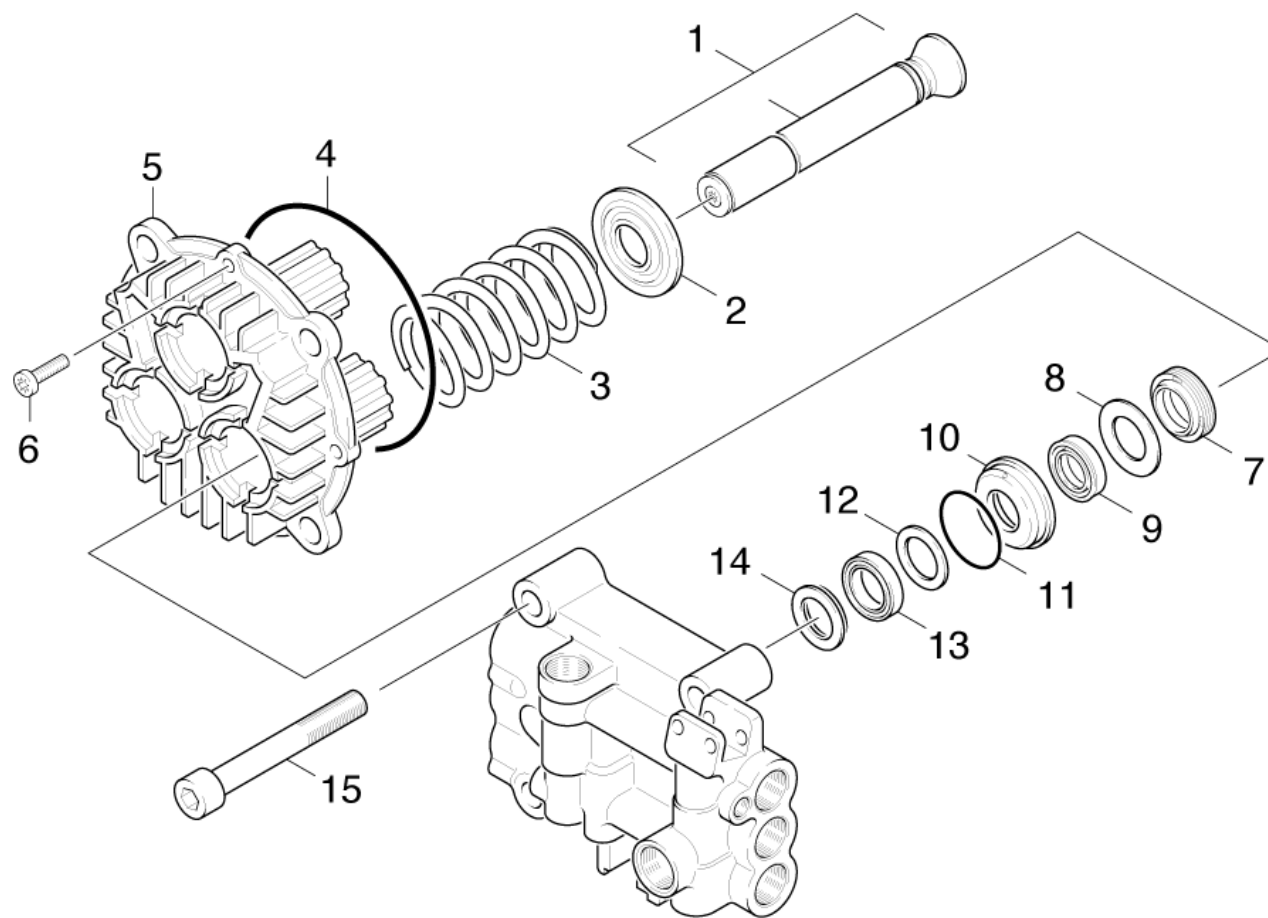
10 Valve (3 Stueck) (2.884-512.0)

POS	Article no.	Description	Quantity	Unit
5	6.363-003.0	O-Ring seal 13,0 X 2,0-NBR 90	1.000	ST



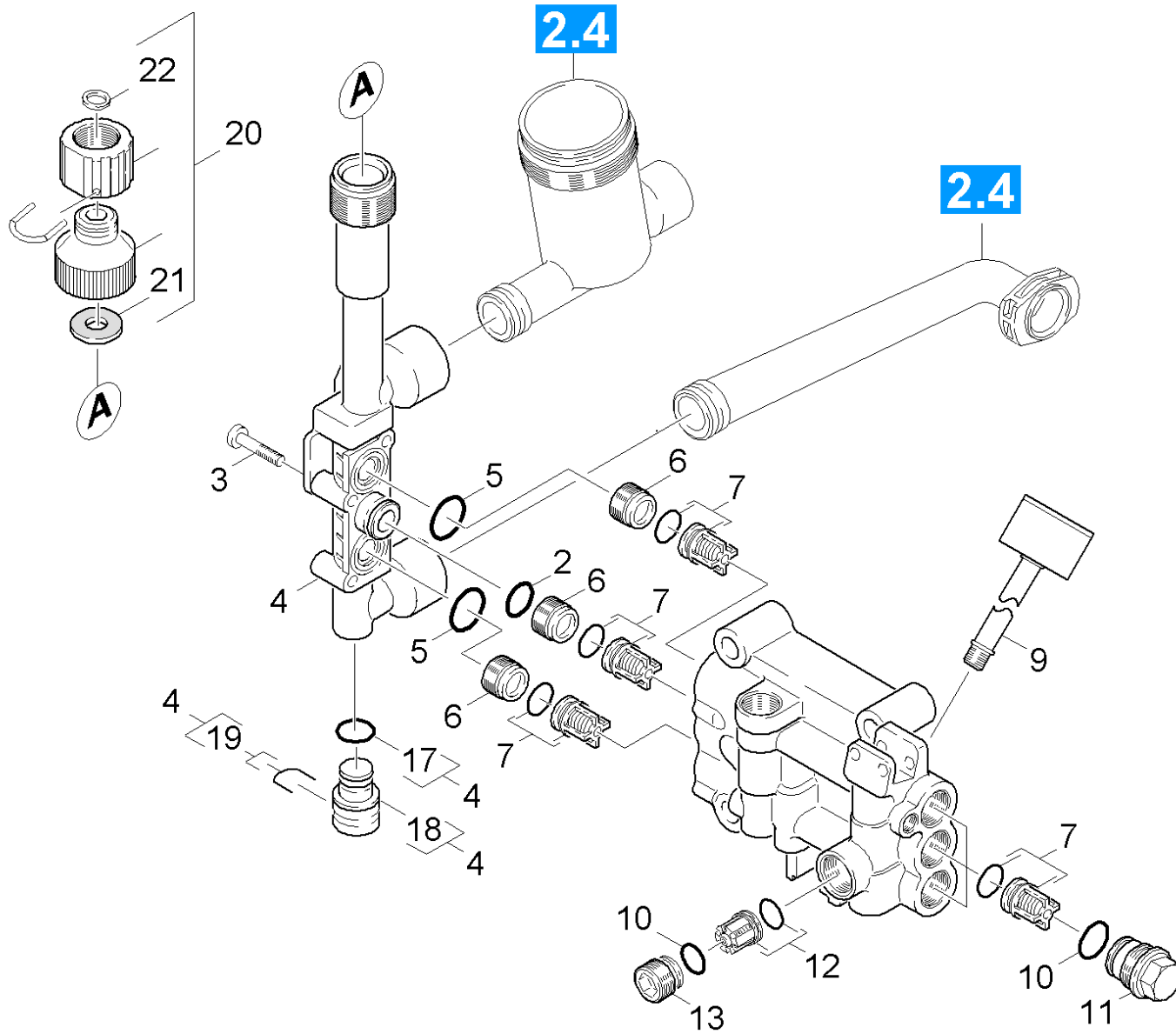
20 Valve complete (4.580-594.0)

POS	Article no.	Description	Quantity	Unit
5	6.362-381.0	O-Ring seal 13x2 - NBR 70	1.000	ST



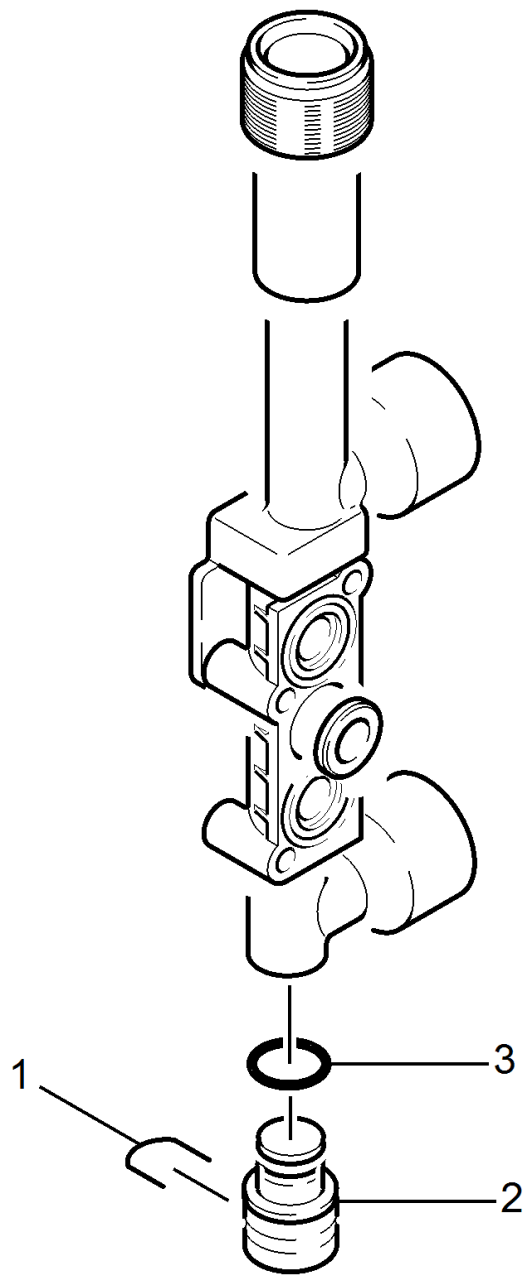
22 Piston

POS	Article no.	Description	Quantity	Unit
1	4.553-282.0	Piston complete only for replacement	3.000	ST
2	5.115-991.0	Washer	3.000	ST
3	5.332-187.0	Helical spring	3.000	ST
4	6.363-228.0	O-Ring seal 114 x 3	1.000	ST
5	5.060-936.3	Thrust guidance D 20	1.000	ST
6	7.306-094.0	Screw M6x25 -8.8-R3R (In6Rd)	2.000	ST
7	6.365-052.0	Grooved ring 20X28X6/8	3.000	ST
8	5.115-537.0	Washer	3.000	ST
9	6.365-380.0	Set of gaskets low-pressure	3.000	ST
10	5.112-713.3	Bush	3.000	ST
11	6.362-092.0	O-Ring seal 36,0 X 2,0-NBR 70	3.000	ST
12	5.115-538.0	Washer	3.000	ST
13	6.365-377.0	Grooved ring 20x30x6	3.000	ST
14	6.365-378.0	Supportring 20x30x4,2	3.000	ST
15	7.306-091.0	Cylinder head screw M12x90- 8.8-A3E ISO	4.000	ST



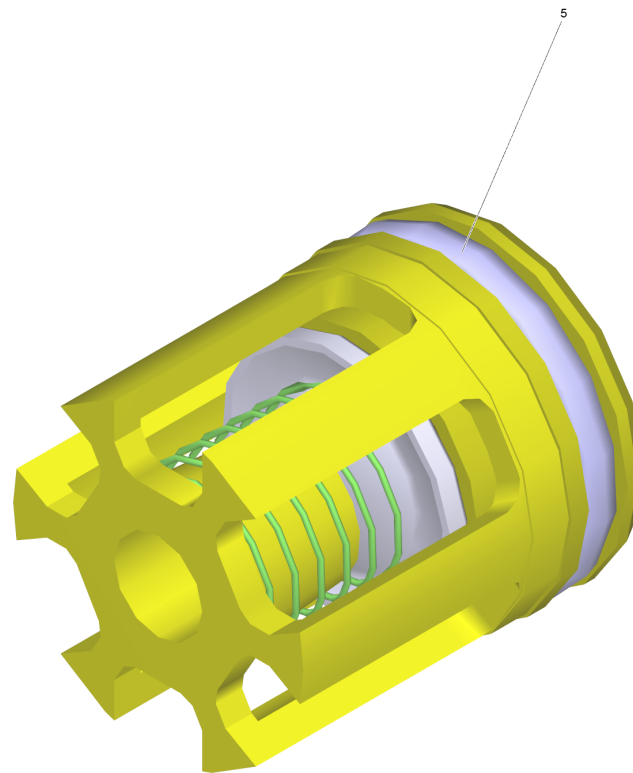
23 Valves

POS	Article no.	Description	Quantity	Unit
2	6.362-174.0	O-Ring seal 16,0 X 2,0-NBR 70	1.000	ST
3	7.306-118.0	Screw M 6x35 -8.8-R3R (In6Rd)	4.000	ST
4	4.427-216.0	Manifold complete	1.000	ST
5	6.362-469.0	O-Ring seal 21,95X 1,78	2.000	ST
6	5.583-177.0	Valve screw M20x1	3.000	ST
7	2.884-512.0	Valve (3 Stueck)	1.000	ST
9	4.423-027.0	Pressure gauge 0-30 MPa - nur fuer Ersat	1.000	ST
10	6.362-481.0	O-Ring seal 14,0 x 2,0 NBR 80	4.000	ST
11	5.583-146.3	Valve screw	3.000	ST
12	4.580-594.0	Valve complete	1.000	ST
13	5.411-166.0	CLOSING SCREW	1.000	ST
17	6.362-169.0	O-Ring seal 12,0 X 2,0	1.000	ST
18	5.132-168.0	DRAIN PLUG	1.000	ST
19	5.037-101.0	Hook	1.000	ST
20	4.401-073.3	Screw connector part USA-GARTENSCHL./G 1	1.000	ST
21	6.362-124.0	Joint ring	1.000	ST
22	5.364-129.0	Flat gasket	1.000	ST



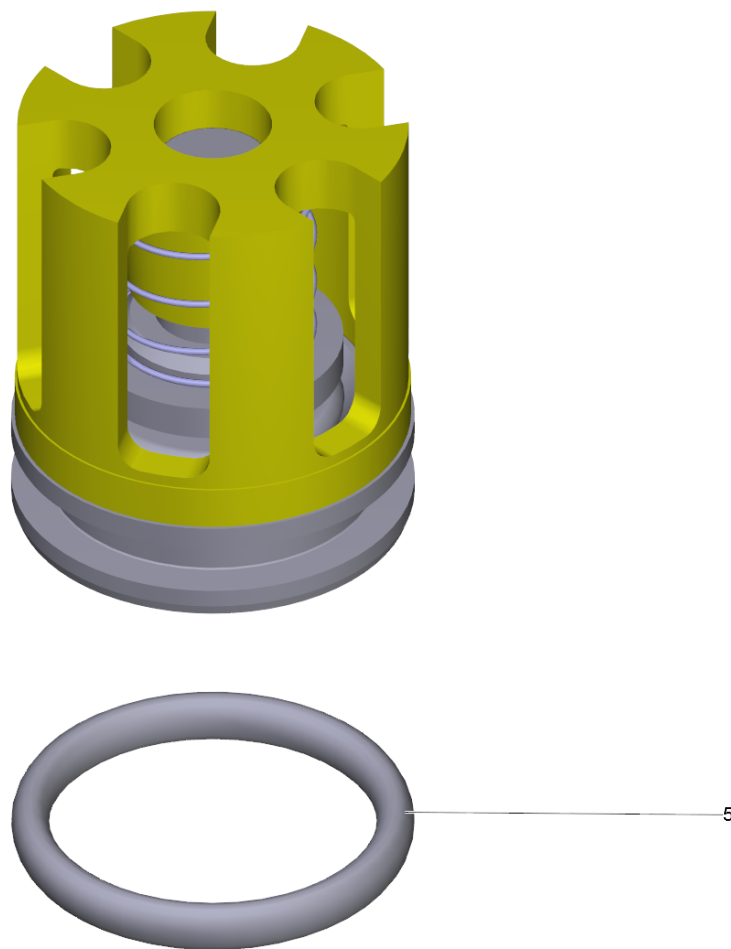
4 Manifold complete (4.427-216.0)

POS	Article no.	Description	Quantity	Unit
1	5.037-101.0	Hook	1.000	ST
2	5.132-168.0	DRAIN PLUG	1.000	ST
3	6.362-169.0	O-Ring seal 12,0 X 2,0	1.000	ST



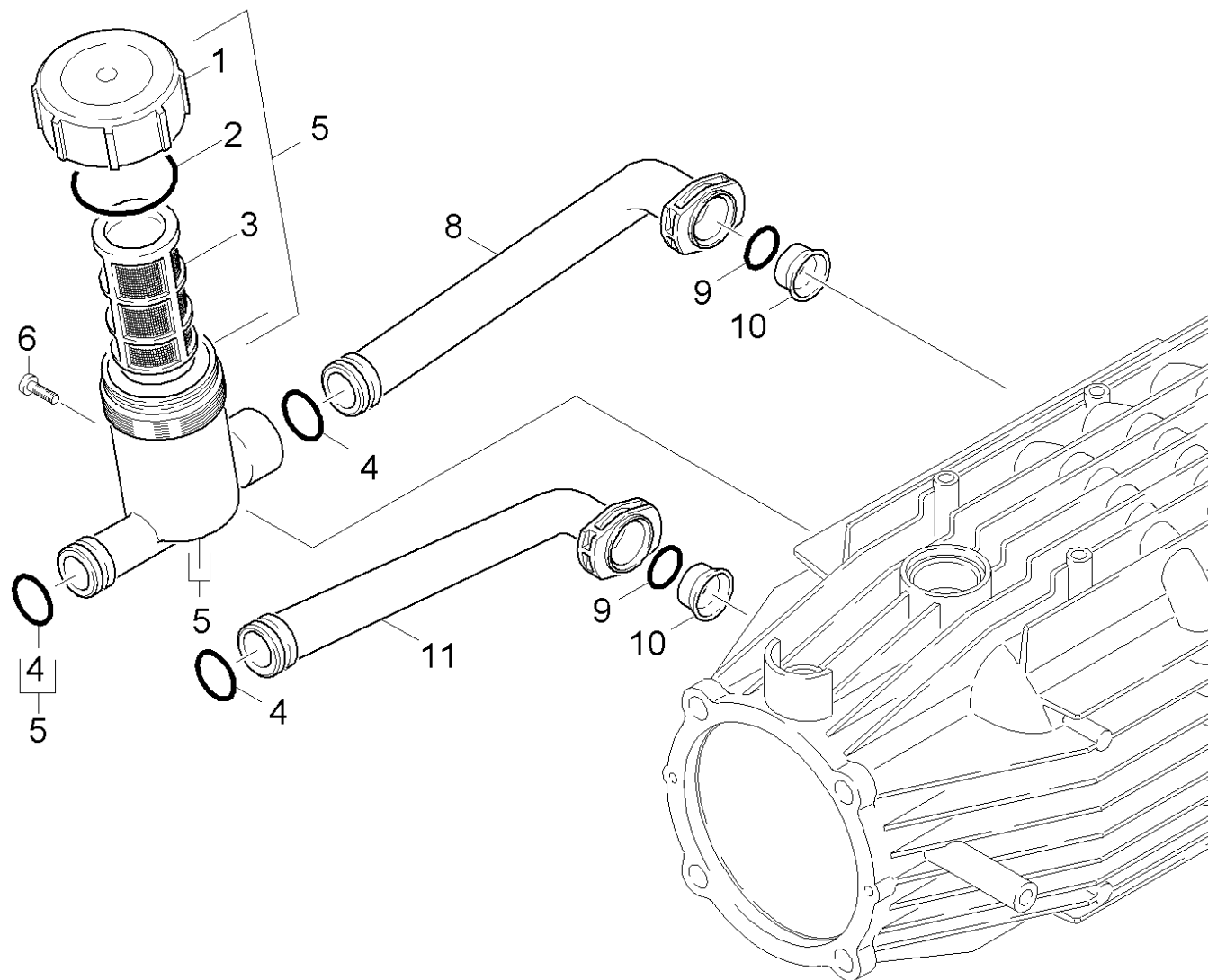
7 Valve (3 Stueck) (2.884-512.0)

POS	Article no.	Description	Quantity	Unit
5	6.363-003.0	O-Ring seal 13,0 X 2,0-NBR 90	1.000	ST



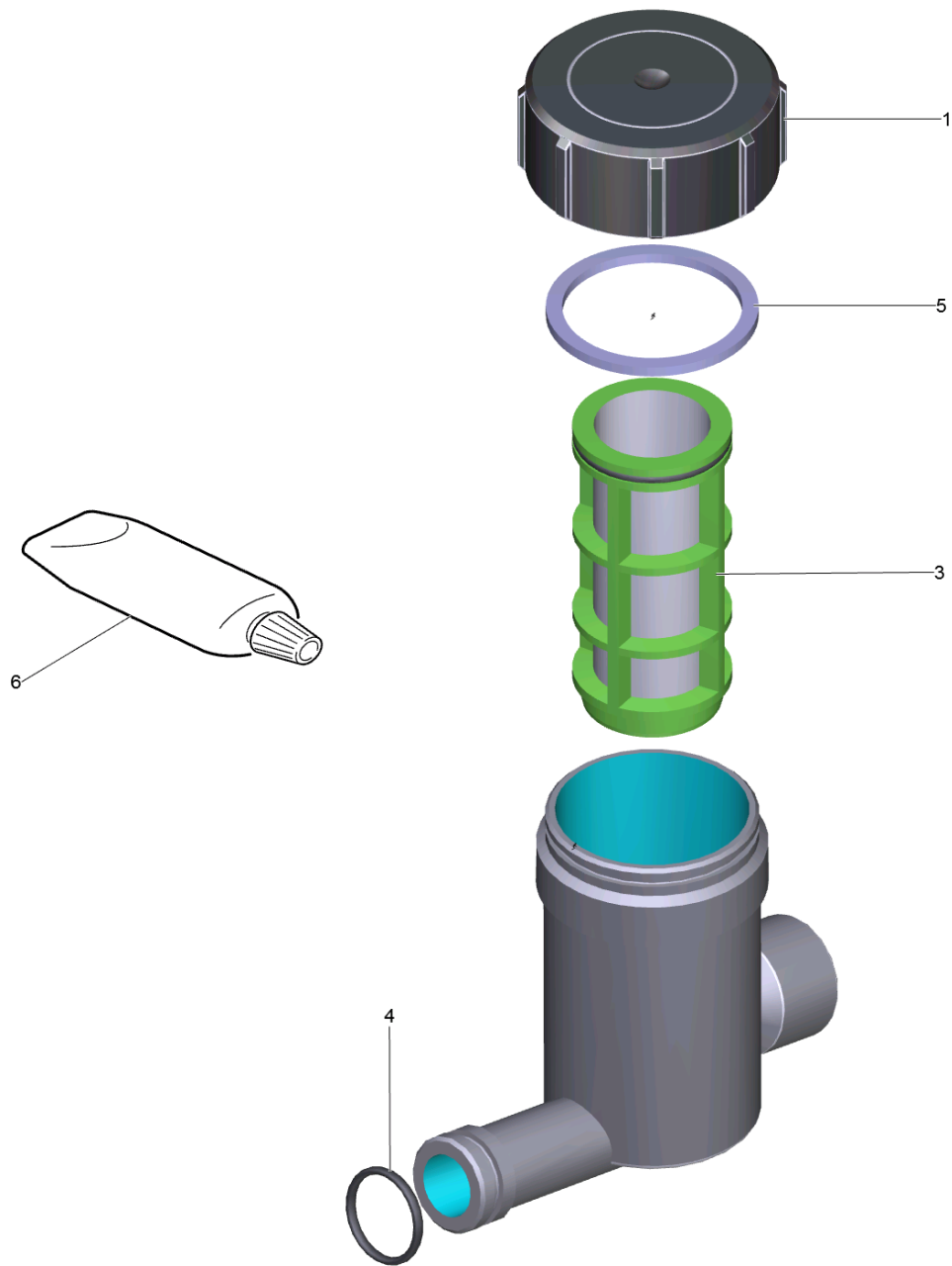
12 Valve complete (4.580-594.0)

POS	Article no.	Description	Quantity	Unit
5	6.362-381.0	O-Ring seal 13x2 - NBR 70	1.000	ST



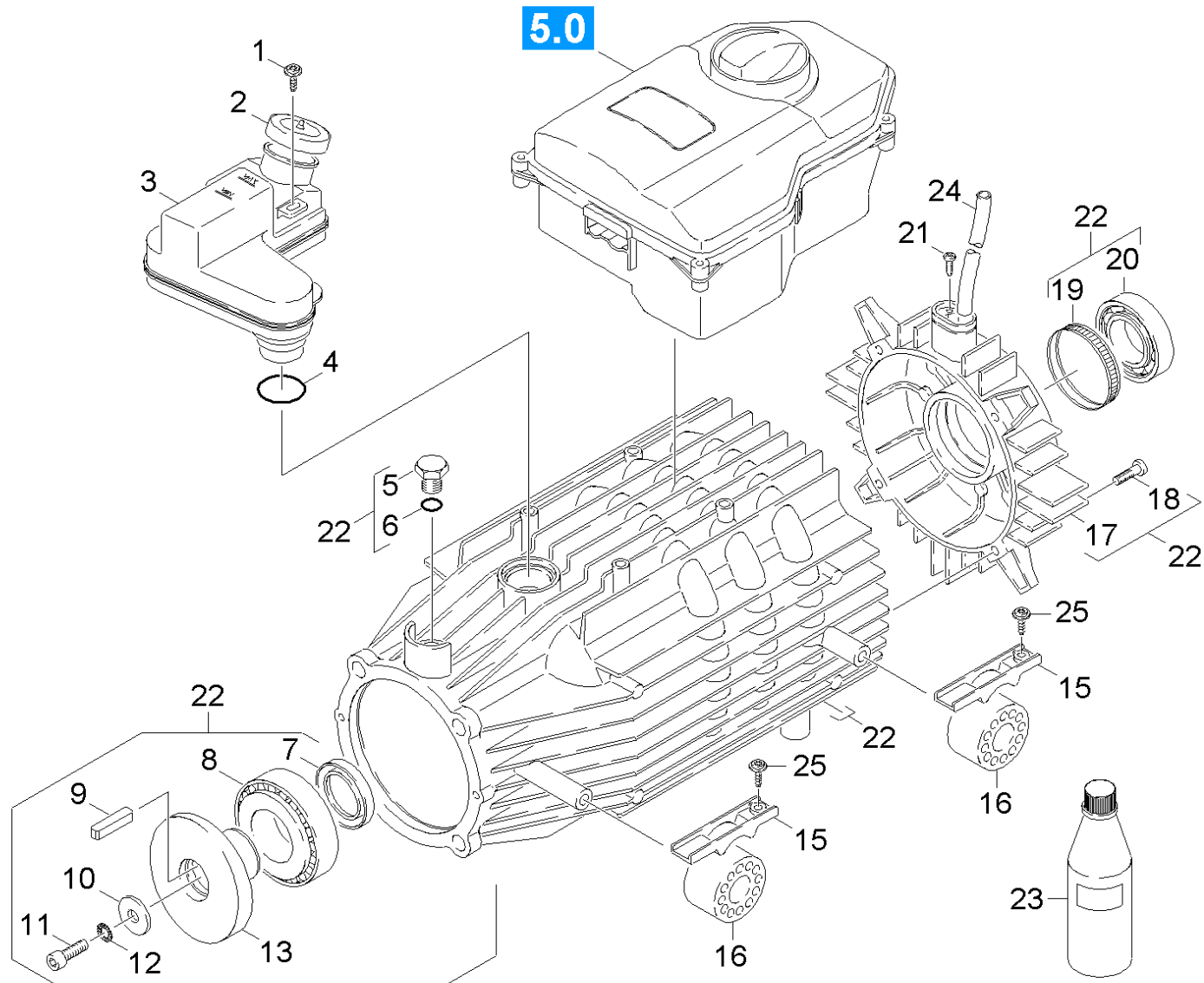
24 Water filter

POS	Article no.	Description	Quantity	Unit
1	5.064-453.0	Cover qusty grey	1.000	ST
2	5.363-613.0	Seal	1.000	ST
3	6.414-681.0	Filter cartridge	1.000	ST
4	6.362-686.0	O-Ring seal 20,0 X 3,0	3.000	ST
5	4.730-161.0	Filter complete	1.000	ST
6	6.303-153.0	Screw M5x15-ST-R2R (IN6RD)	1.000	ST
8	5.427-307.0	Manifold	1.000	ST
9	6.362-579.0	O-Ring seal 17,5 X 3,5	2.000	ST
10	5.110-341.0	Sleeve	2.000	ST
11	5.427-298.0	Manifold short	1.000	ST



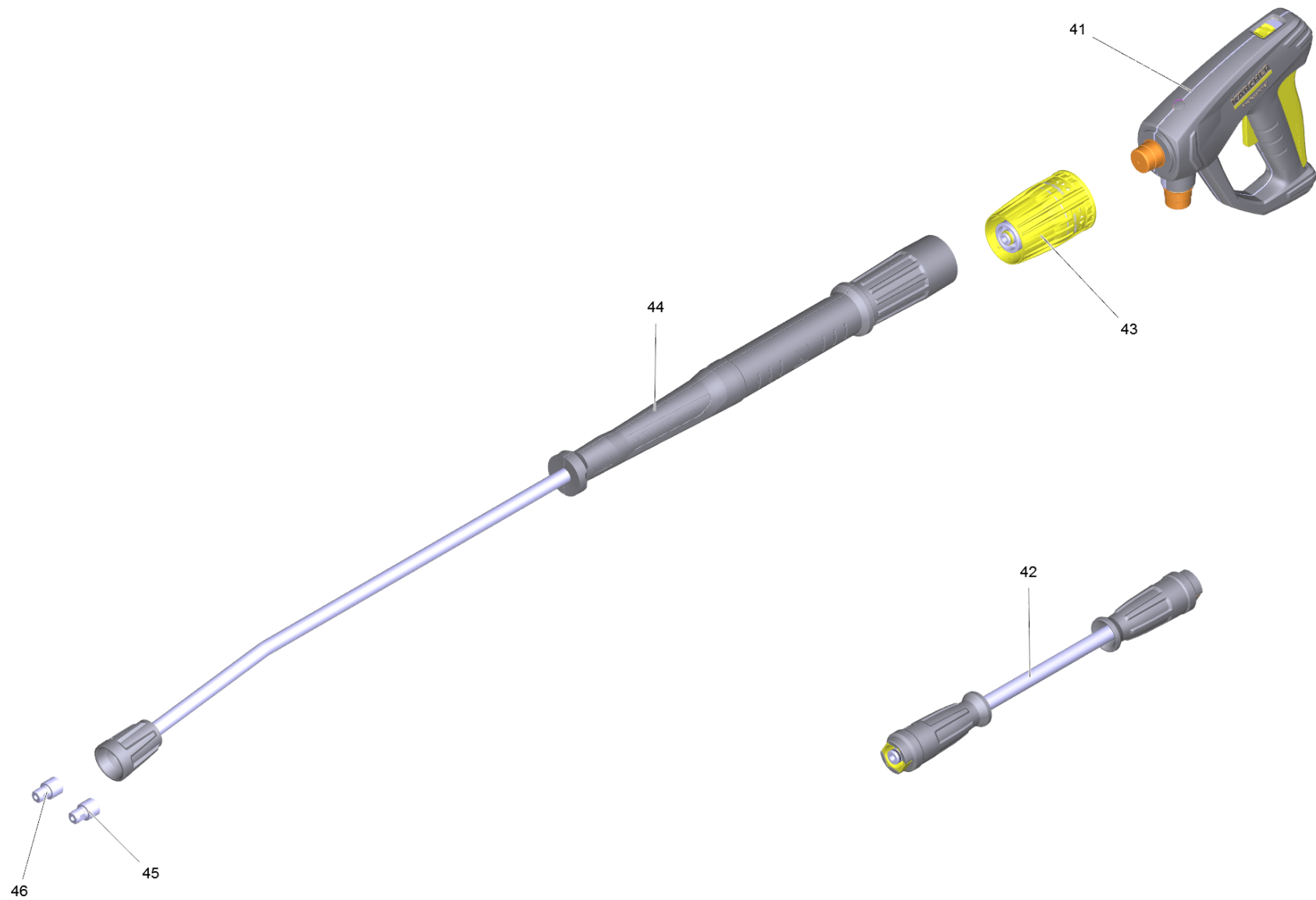
5 Filter complete (4.730-161.0)

POS	Article no.	Description	Quantity	Unit
1	5.064-453.0	Cover qusty grey	1.000	ST
3	6.414-681.0	Filter cartridge	1.000	ST
4	6.362-686.0	O-Ring seal 20,0 X 3,0	1.000	ST
5	5.363-613.0	Seal	1.000	ST
6	6.288-044.0	Silicon grease 100 G	1.000	ST



30 Motor

POS	Article no.	Description	Quantity	Unit	Foot note text
1	7.303-108.0	Screw 5x20 -10.9-R2R (In6Rd)	1.000	ST	
2	5.064-457.0	cover plate qusty grey oil	1.000	ST	
3	5.070-604.0	Tank	1.000	ST	
4	6.362-526.0	O-Ring seal 29,1 X 2,55 -NBR 70	1.000	ST	
5	5.411-100.0	Screw plug	2.000	ST	
6	6.362-028.0	O-Ring seal 11x2,2 NBR 70	2.000	ST	
7	7.367-009.0	Radial shaft seal ring A35x52x7-NBR DIN	1.000	ST	
8	6.401-225.3	Taper roller bearing 41	1.000	ST	
9	7.318-035.0	Parallel key 8x7x25 -C45K DIN 6885-1	1.000	ST	
10	5.115-565.0	Washer	1.000	ST	
11	7.306-041.0	Cylinder head screw M8x20 -8.8-A2E ISO	1.000	ST	
12	7.312-159.0	Toothed lock washer A8,4-FST-PH DIN 679	1.000	ST	
13	5.120-356.0	Wobble plate	1.000	ST	
15	5.802-288.0	Mounting part	4.000	ST	
16	5.767-005.0	Rubber buffer	4.000	ST	
17	5.064-006.0	Bearing cover B	1.000	ST	
18	6.303-515.0	Self-tapping screw M6x25	4.000	ST	
19	6.343-010.0	Tolerance ring 62x10	1.000	ST	
20	6.401-253.0	Ball bearing 6305-2Z	1.000	ST	
21	7.303-031.0	Screw M4x10 -St-P2R (In6Rd)	1.000	ST	
22	4.623-614.0	Motor complete	1.000	ST	
23	6.288-016.0	Gear oil 1L	2.000	ST	
24	6.642-011.0	Insulating hose 10	1.000	M	TO ORDER AS CUT GOODS
25	7.303-110.0	Screw 5x35 -10.9-R2R (In6Rd)	4.000	ST	

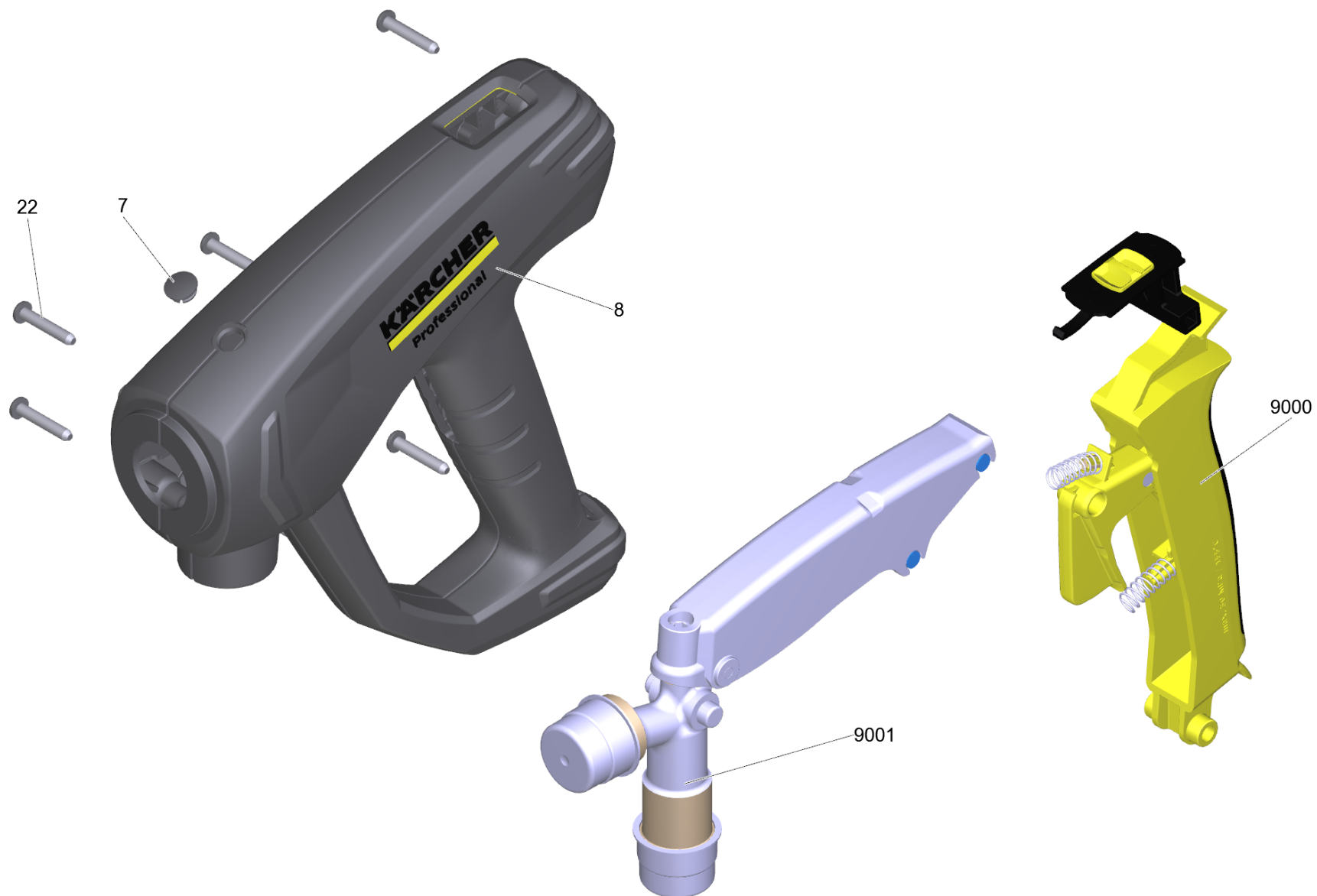


40 Accessories

POS	Article no.	Description	Quantity	Unit
41	4.118-005.0	EASY!Force Advanced	1.000	ST
42	6.110-030.0	Hose assembly TR rotatable DN8 31,5MPa 1	1.000	ST
43	4.118-008.0	Rotary controller TR 416L	1.000	ST
44	4.112-000.0	Jet pipe TR 1050 mm	1.000	ST
45	2.113-025.0	Power nozzle TR 25055	1.000	ST
46	2.113-020.0	Nozzle chemical TR 25250	1.000	ST

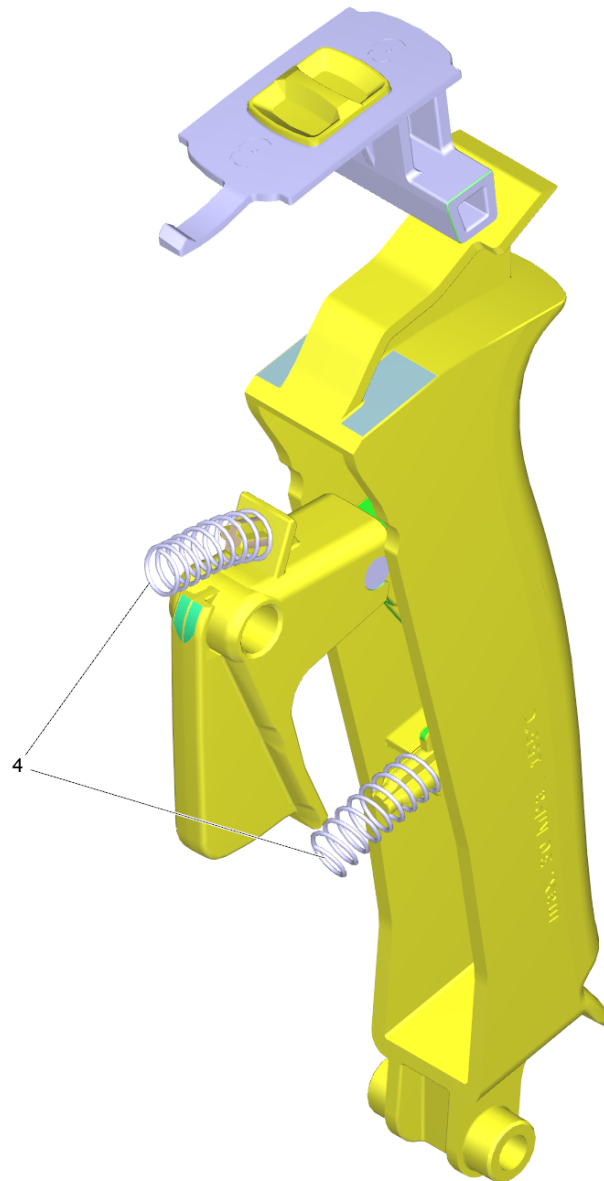
41 EASY!Force Advanced (4.118-005.0)

POS	Description	Quantity	Unit
1	Hand trigger gun TR EH 155	1.000	ST



1 Hand trigger gun TR EH 155

POS	Article no.	Description	Quantity	Unit
7	5.132-001.0	Plug	1.000	ST
8	5.321-136.3	Handhold few EH 155 only for replacement	1.000	ST
22	7.303-096.0	Screw 4x22 -ST-10.9-R2R (IN6RD)	7.000	ST
9000	2.885-483.0	Spare part set lever	1.000	ST
9001	4.427-014.0	Manifold TR EH 155 nur fuer Ersatz	1.000	ST

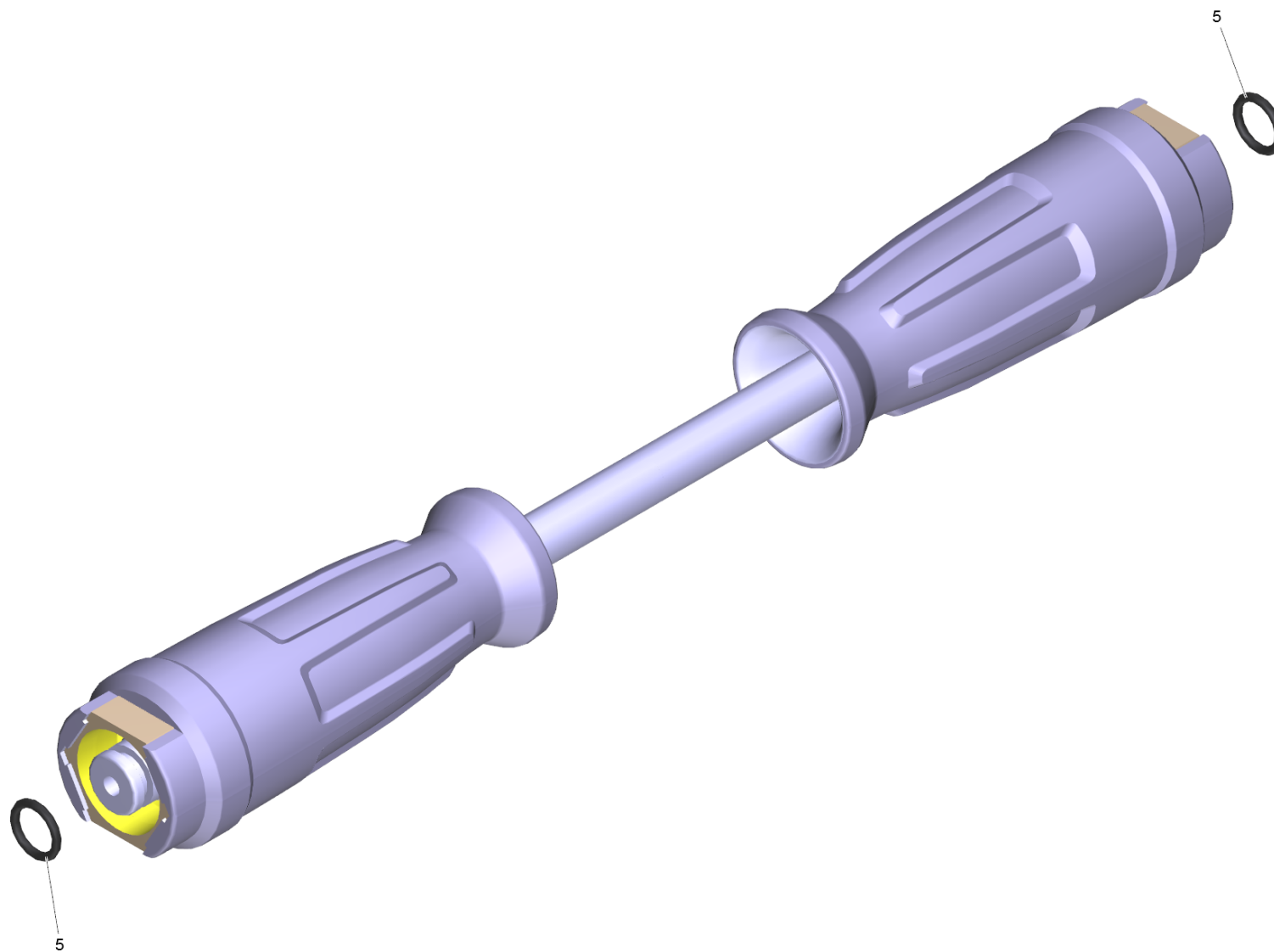


9000 Spare part set lever (2.885-483.0)

POS	Article no.	Description	Quantity	Unit
4	5.332-032.0	Helical spring	2.000	ST

42 Hose assembly TR rotatable DN8 31,5MPa 1 (6.110-030.0)

POS	Description	Quantity	Unit
1	Hose assembly TR rotatable DN8 31,5MPa 1	1.000	ST

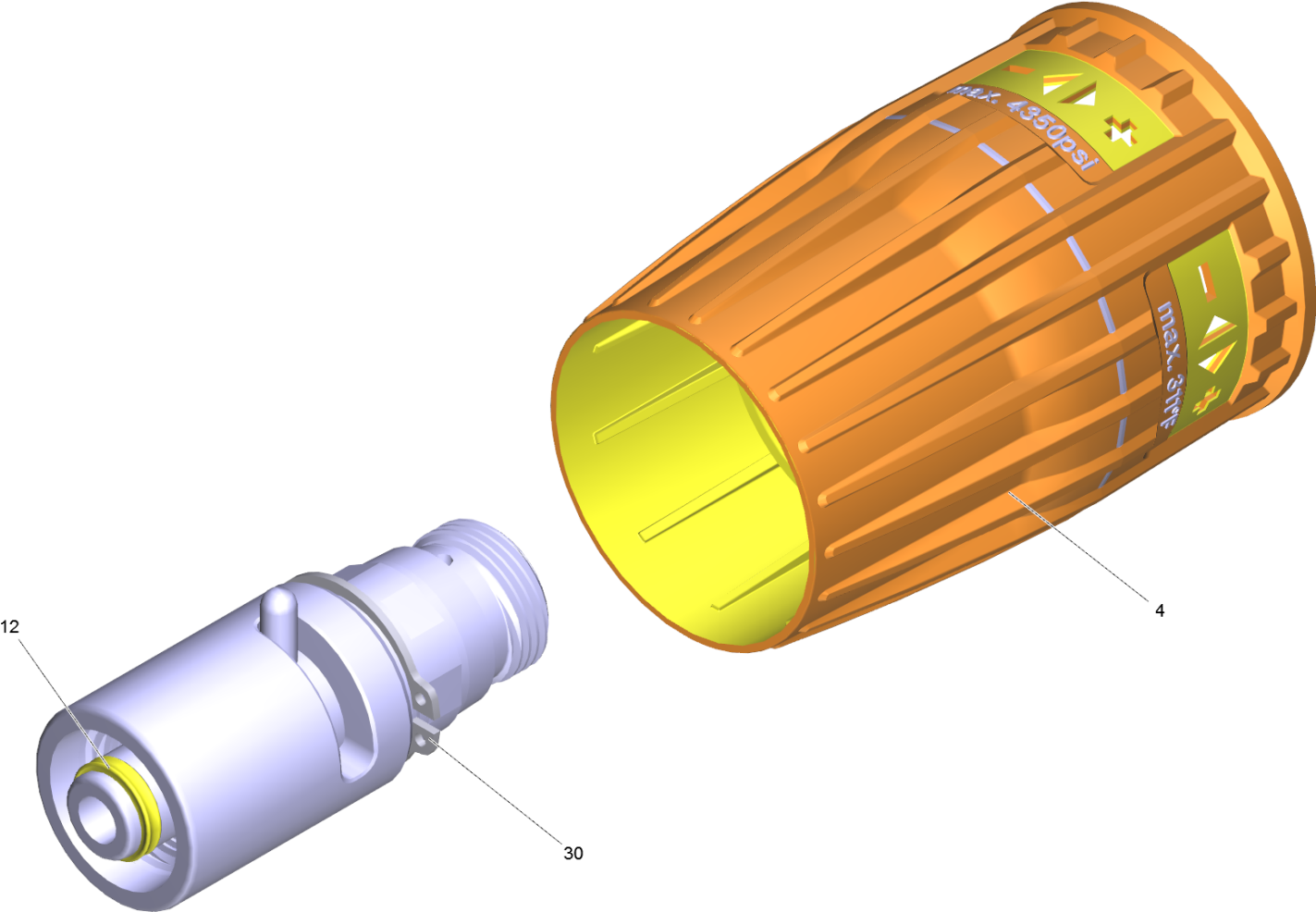


1 Hose assembly TR rotatable DN8 31,5MPa 1

POS	Article no.	Description	Quantity	Unit
5	2.880-154.0	O-Ring kit	1.000	ST

43 Rotary controller TR 416L (4.118-008.0)

POS	Description	Quantity	Unit
1	Rotary controller TR 416L	1.000	ST

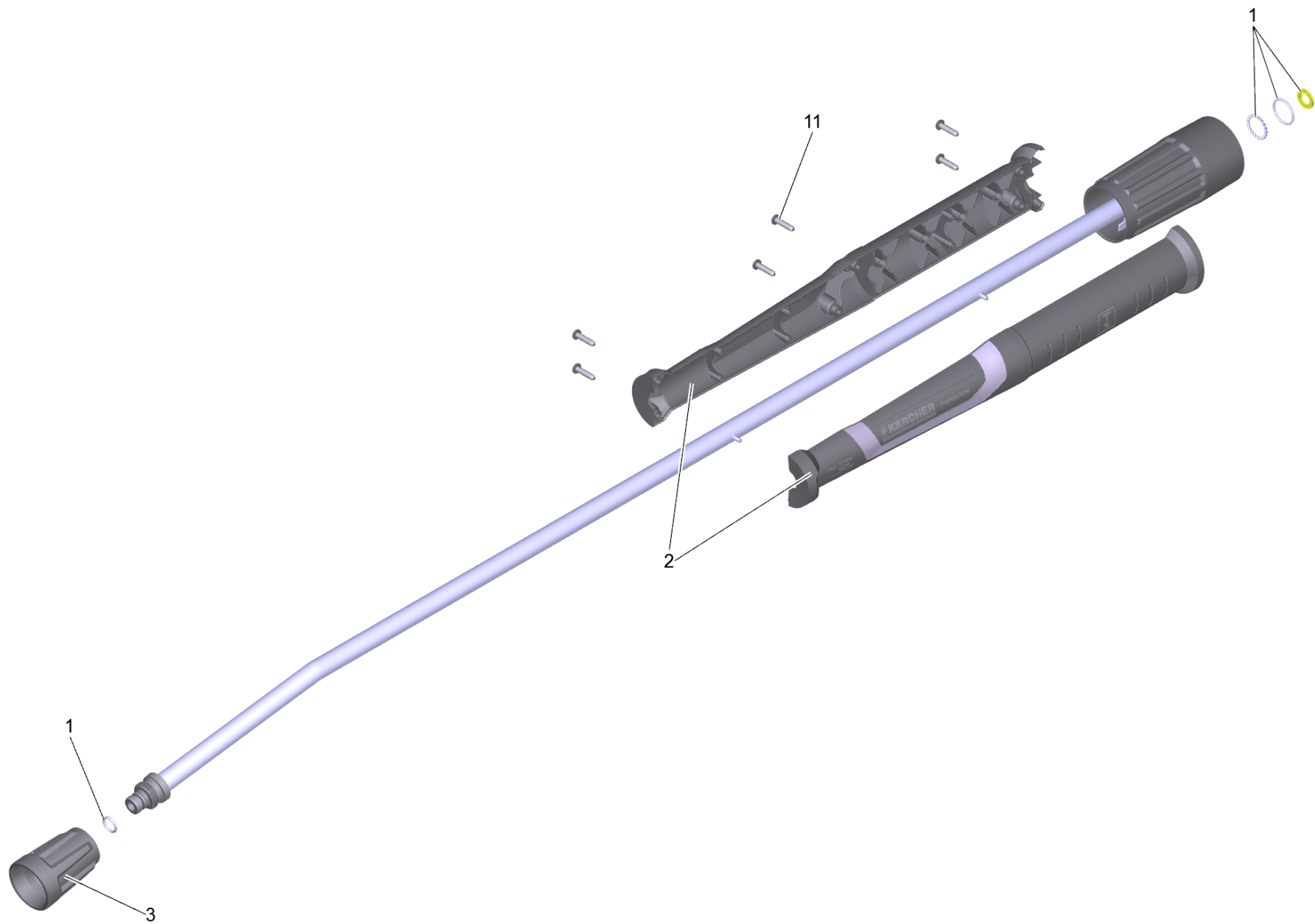


1 Rotary controller TR 416L

POS	Article no.	Description	Quantity	Unit
4	5.321-364.3	Handhold rotary controller	1.000	ST
12	2.880-001.0	Spare part set seals TR	1.000	ST
30	7.343-069.0	Locking ring 25x1,2-1.4122 DIN 471	1.000	ST

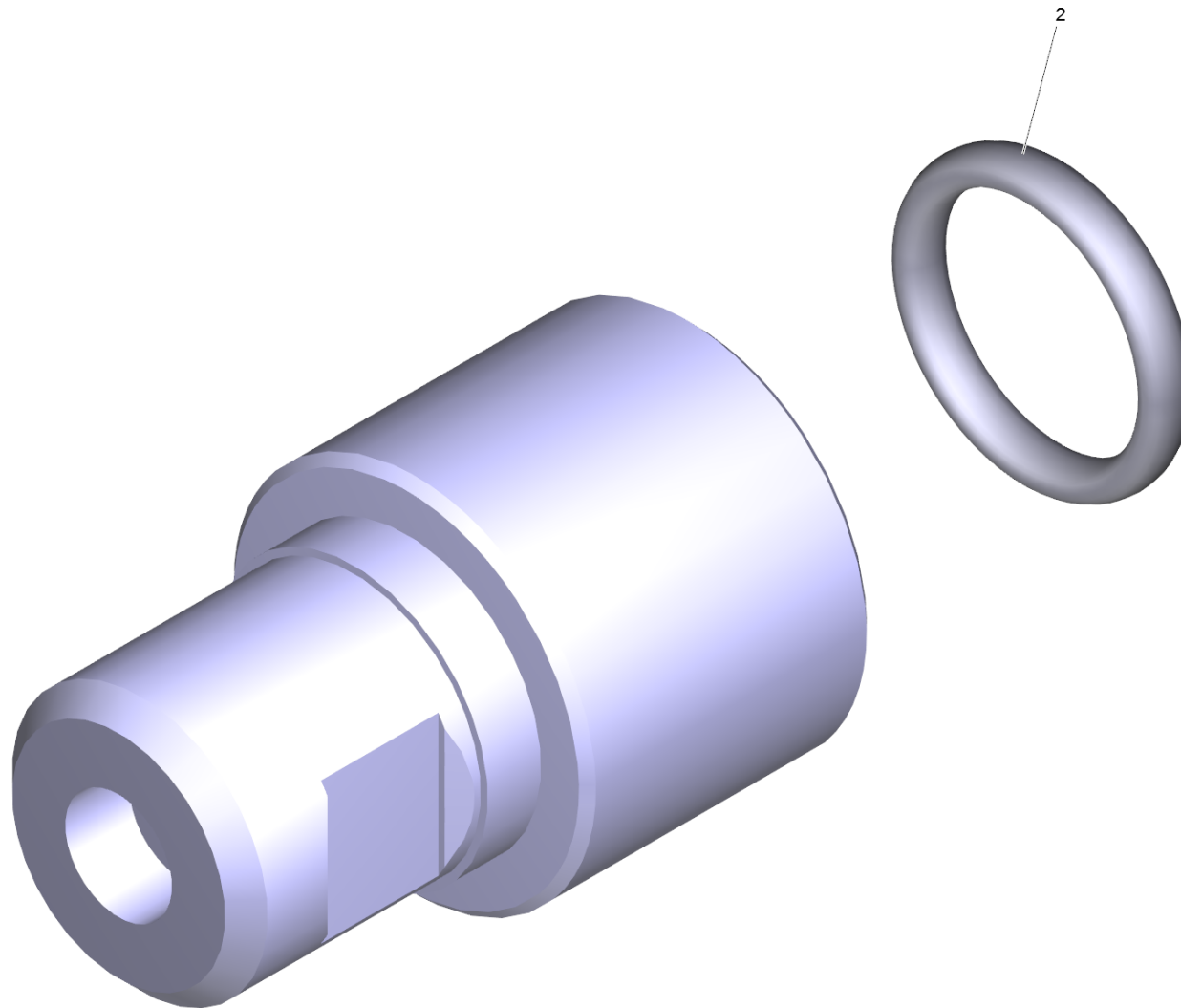
44 Jet pipe TR 1050 mm (4.112-000.0)

POS	Description	Quantity	Unit
1	Jet pipe TR 1050 mm	1.000	ST



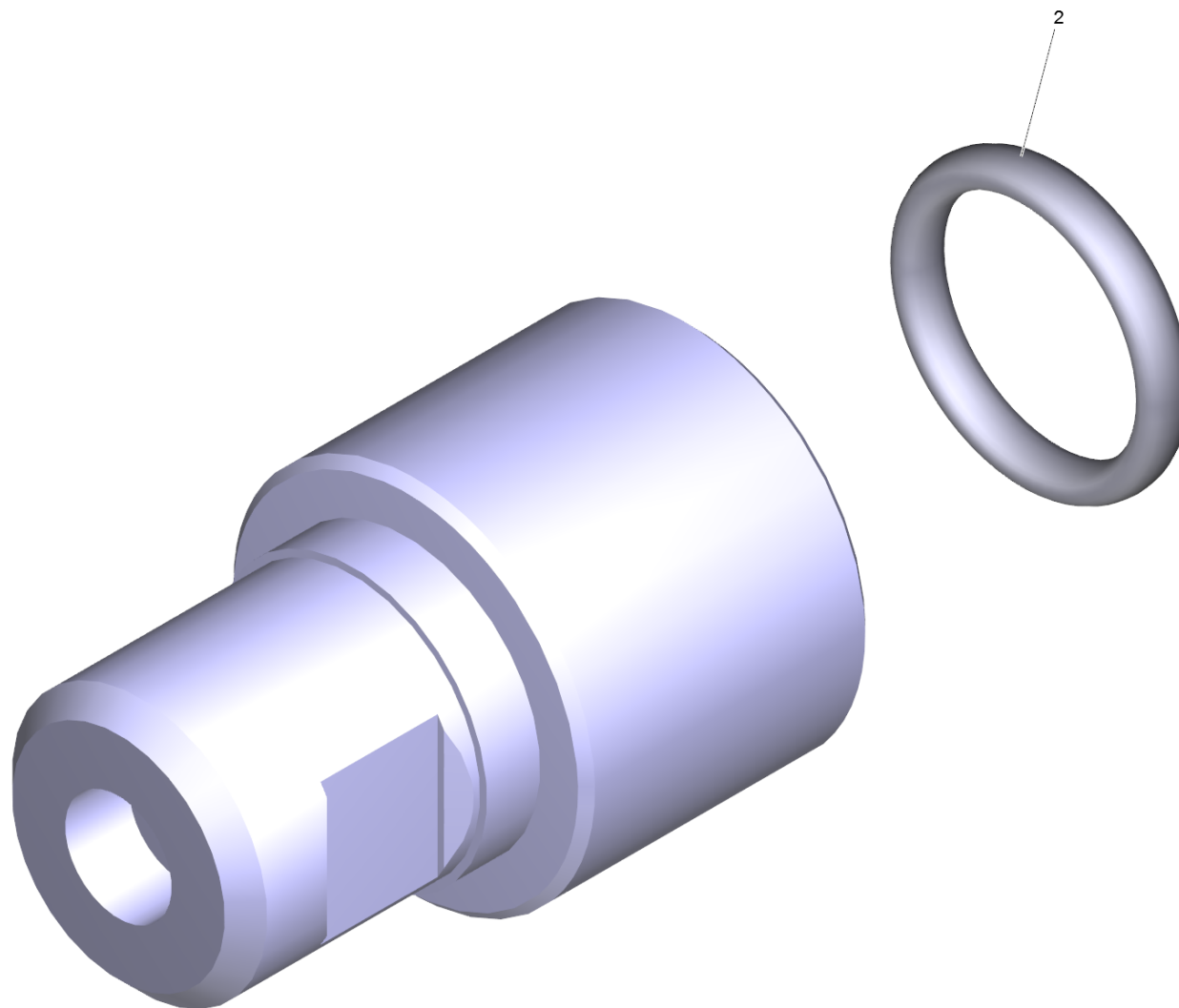
1 Jet pipe TR 1050 mm

POS	Article no.	Description	Quantity	Unit
1	4.100-688.0	Spare part set seal TR	1.000	ST
2	5.321-018.3	Handle bowl jet pipe only for replacemen	1.000	ST
3	4.112-011.0	Protection part TR only for replacement	1.000	ST
11	7.303-129.0	Screw 4x16 -10.9-R2R (K-In6Rd)	6.000	ST



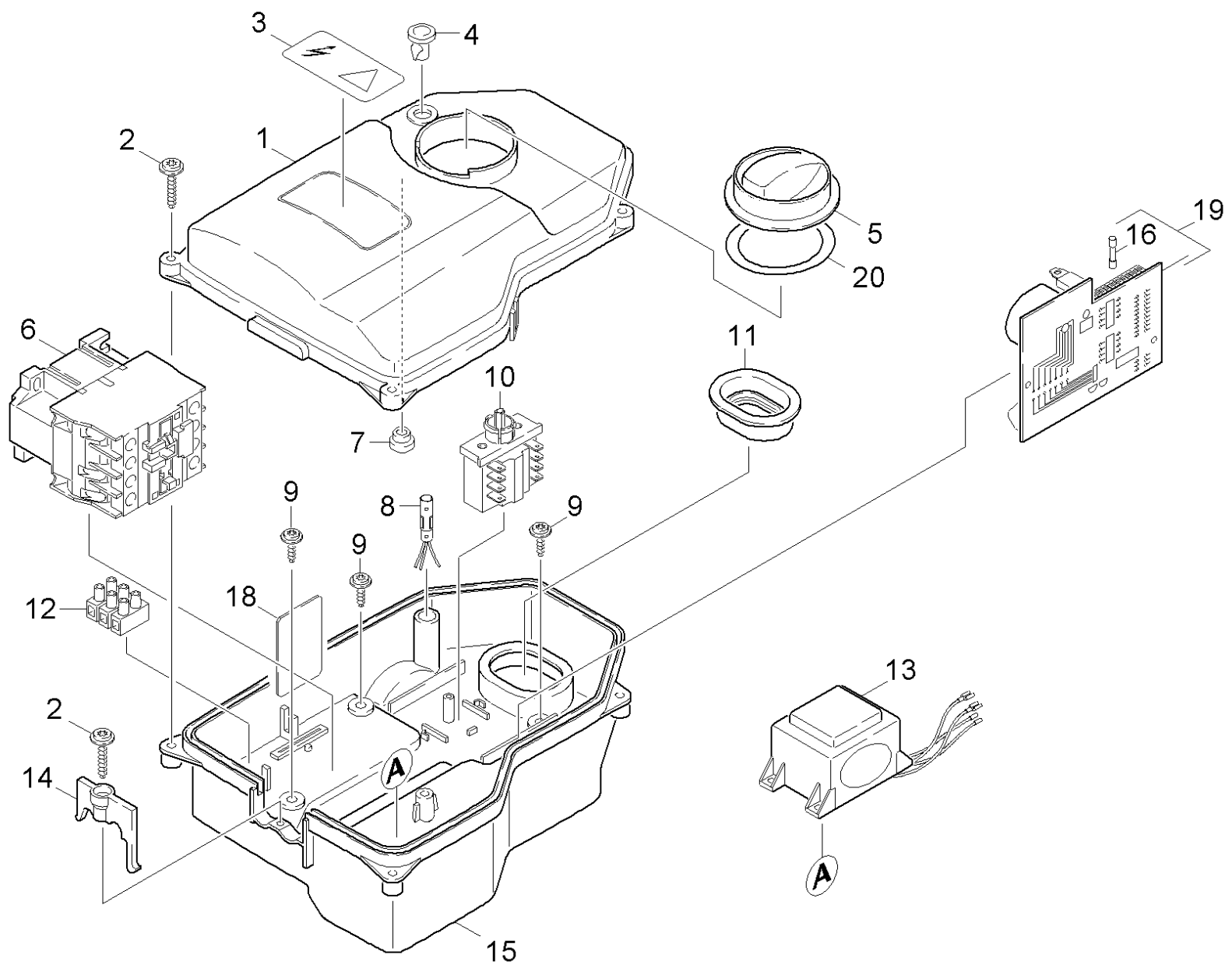
45 Power nozzle TR 25055 (2.113-025.0)

POS	Article no.	Description	Quantity	Unit
2	2.880-001.0	Spare part set seals TR	1.000	ST



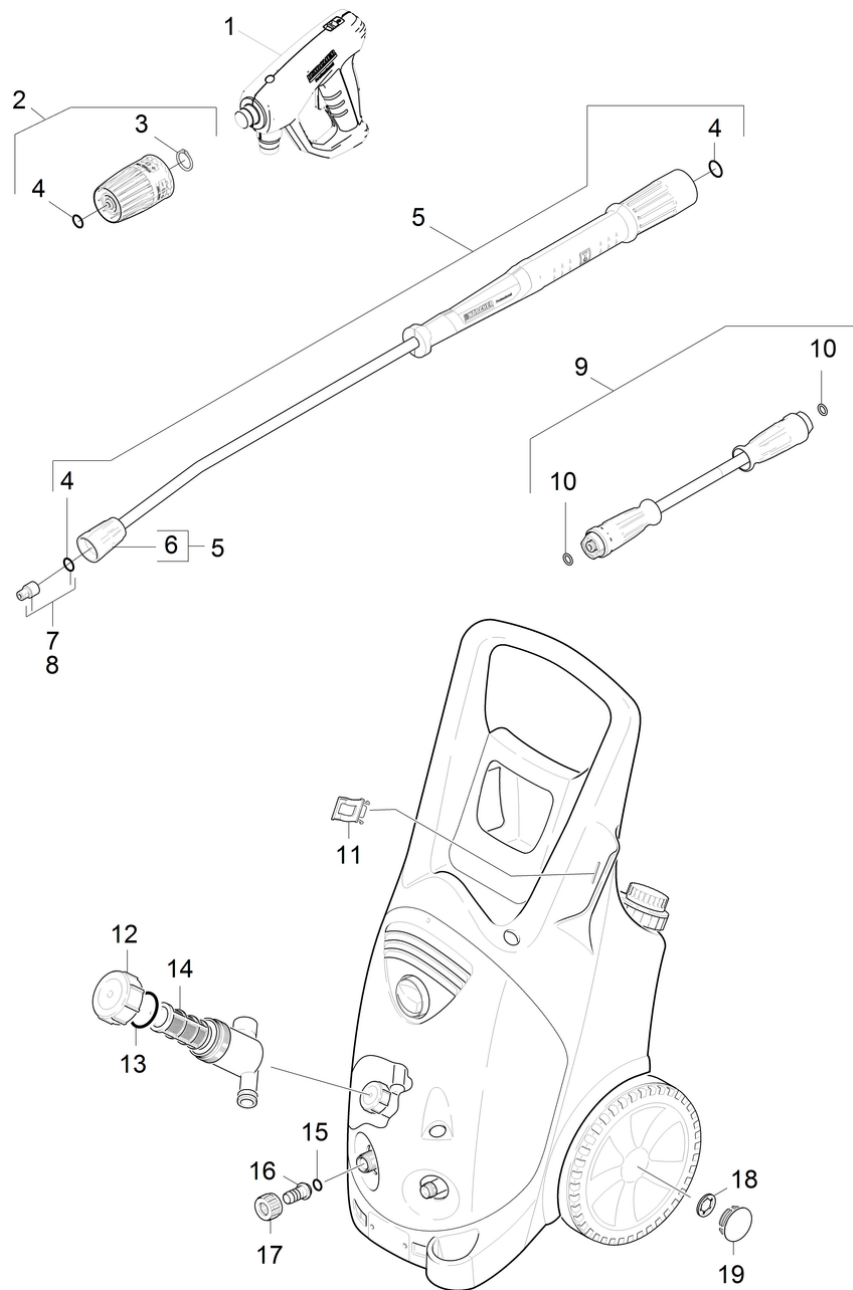
46 Nozzle chemical TR 25250 (2.113-020.0)

POS	Article no.	Description	Quantity	Unit
2	2.880-001.0	Spare part set seals TR	1.000	ST



50 Electric box

POS	Article no.	Description	Quantity	Unit
1	5.064-234.0	Cover electric control box	1.000	ST
2	6.303-200.0	Screw 5x25-IN6RD	5.000	ST
3	5.388-512.0	Label	1.000	ST
4	6.651-506.0	HOUSING	1.000	ST
5	5.322-102.0	Handle yellow	1.000	ST
6	6.632-356.0	Contacteur LC1-D18 B7	1.000	ST
7	6.641-446.0	Cable bushing	1.000	ZST
8	6.651-505.0	Pilot lamp	1.000	ST
9	6.303-153.0	Screw M5x15-ST-R2R (IN6RD)	4.000	ST
10	6.630-467.0	Rotary switch	1.000	ST
11	5.365-181.0	Profile gasket	1.000	ST
12	6.643-650.0	Strip terminal triple-pole	1.000	ST
13	6.622-279.3	Control transformer	1.000	ST
14	5.263-081.0	Tensioning part	1.000	ST
15	5.062-145.0	Housing electric control box	1.000	ST
16	6.644-144.0	Fuse 1A	1.000	ST
18	5.048-251.0	Plate	1.000	ST
19	6.682-965.3	Phase failure protection motor Protectio	1.000	ST
20	5.363-616.0	Joint ring	1.000	ST



1020 Short spare parts list

POS	Article no.	Description	Quantity	Unit
1	4.118-005.0	EASY!Force Advanced	1.000	ST
2	4.118-008.0	Rotary controller TR 416L	1.000	ST
3	7.343-069.0	Locking ring 25x1,2-1.4122 DIN 471	1.000	ST
4	2.880-001.0	Spare part set seals TR	1.000	ST
5	4.112-000.0	Jet pipe TR 1050 mm	1.000	ST
6	4.112-011.0	Protection part TR only for replacement	1.000	ST
7	2.113-025.0	Power nozzle TR 25055	1.000	ST
8	2.113-020.0	Nozzle chemical TR 25250	1.000	ST
9	6.110-030.0	Hose assembly TR rotatable DN8 31,5MPa 1	1.000	ST
10	2.880-154.0	O-Ring kit	1.000	ST
11	5.044-666.0	Holder jet pipe	1.000	ST
12	5.064-453.0	Cover qusty grey	1.000	ST
13	5.363-613.0	Seal	1.000	ST
14	6.414-681.0	Filter cartridge	1.000	ST
15	6.362-161.0	O-Ring seal 19,3 X 2,4	1.000	ST
16	5.443-291.0	Hose stem	1.000	ST
17	5.310-076.0	Nut	1.000	ST
18	6.343-162.0	Lock washer -25	1.000	ST
19	2.889-086.0	Set wheel cap	1.000	ST