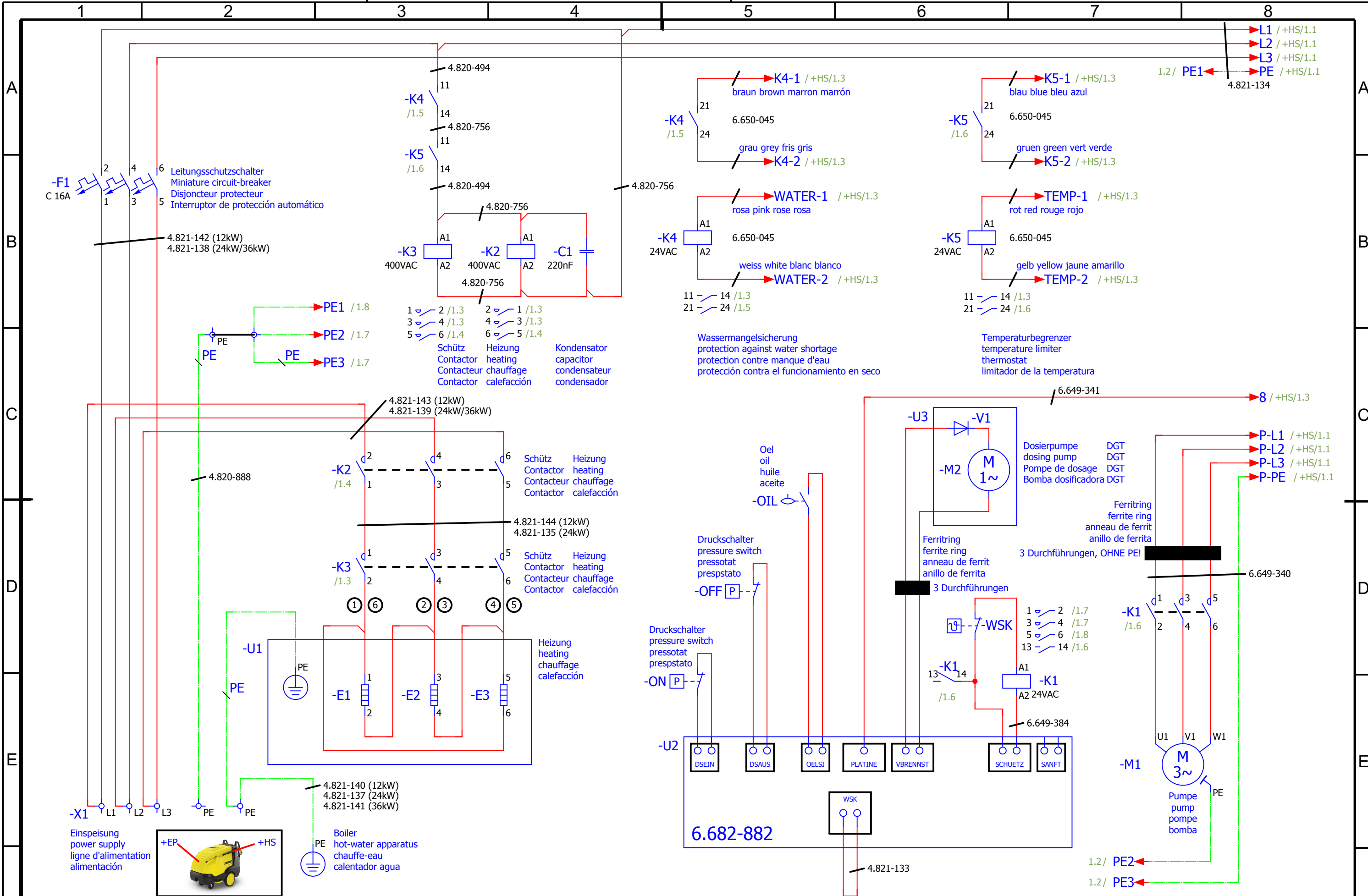
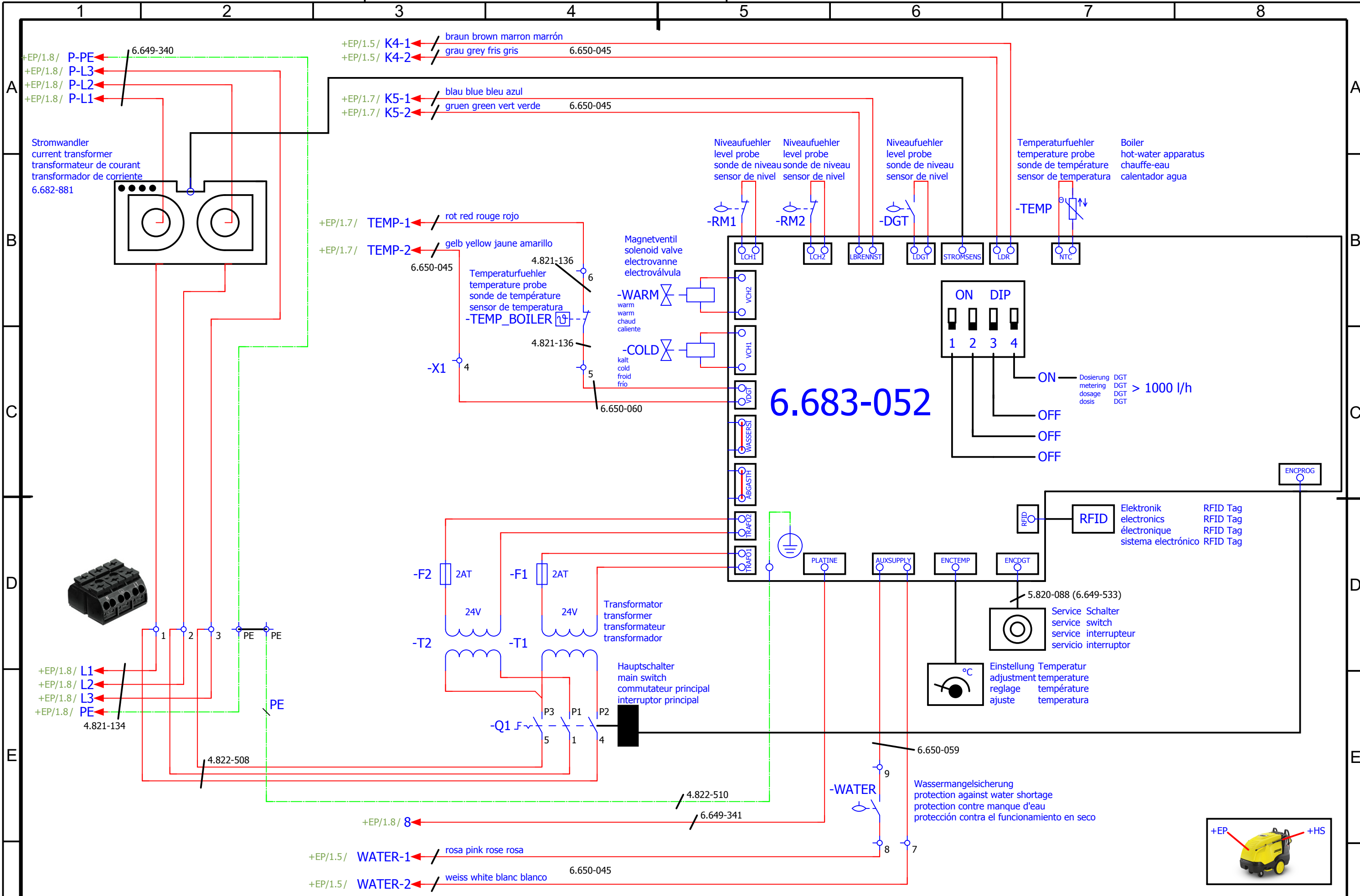


Compliance with the current version of Kärcher standard KÄN 050.032 "Constituent substances" (ban of lead, cadmium, etc.) must be guaranteed. Standard date format according to ISO 8601 (YYYY-MM-DD). The reproduction, distribution and utilization of this document as well as the communication of its contents to others without explicit authorization is prohibited. Offenders will be held liable for the payment of damages. All rights reserved in the event of the grant of a patent, utility model or design. Copyright © Alfred Kärcher GmbH & Co. KG



<b>KÄRCHER</b>		Material-Nr. / material no. <b>0.089-342.0</b>	Benennung / description <b>SLP HDS-E 8/16-4M</b>	document <b>SLP HDS-E</b>	number <b>5266256</b>	type <b>SLP</b>	version <b>01</b>	status <b>FR</b>	sheet <b>1</b>	of <b>2</b>
Anlage / plant <b>=HDSE</b>	Ort / location <b>+EP</b>	Auftrag / order <b>EPLAN</b>	Blattbenennung / sheet description	Datum / date <b>2011-11-04</b>	Gezeichnet / drawn by <b>AW02102</b>	Geprüft / checked by <b>AW03288</b>	Normgeprüft / std. checked by <b>AW03274</b>	Änderung / Engineering change		Ersatz für / replaces
						index / Anzahl / count		number	Datum / date	index
						<b>a</b>		<b>1</b>	<b>2037152</b>	<b>2011-03-18</b>
								<b>A3</b>		

Compliance with the current version of Kärcher standard KÄN 050.032 "Constituent substances" (ban of lead, cadmium, etc.) must be guaranteed. Standard date format according to ISO 8601 (YYYY-MM-DD). The reproduction, distribution and utilization of this document as well as the communication of its contents to others without explicit authorization is prohibited. Offenders will be held liable for the payment of damages. All rights reserved in the event of the grant of a patent, utility model or design. Copyright © Alfred Kärcher GmbH & Co. KG



<b>KÄRCHER</b>		Material-Nr. material no. <b>0.089-342.0</b>	Benennung description <b>SLP HDS-E 8/16-4M Wiring diagram HDS-E 8/16-4M</b>	document <b>SLP HDS-E</b>	number <b>5266256</b>	type <b>SLP</b>	version <b>01</b>	status <b>FR</b>	sheet <b>2</b>	of <b>2</b>
Anlage plant <b>=HDSE</b>	Ort location <b>+HS</b>	Auftrag order <b>EPLAN</b>	Blattbenennung / sheet description	Datum date <b>2011-11-04</b>	Gezeichnet drawn by <b>AW02102</b>	Geprüft checked by <b>AW03288</b>	Normgeprüft std. checked by <b>AW03274</b>	Änderung / Engineering change index / Anzahl / count <b>a / 1</b>		Ersatz für / replaces Datum / date <b>2037152 / 2011-03-18</b>

