

## **Spare parts list**

(1.629-800.0) WD 3 \*EU-I

## Table of contents

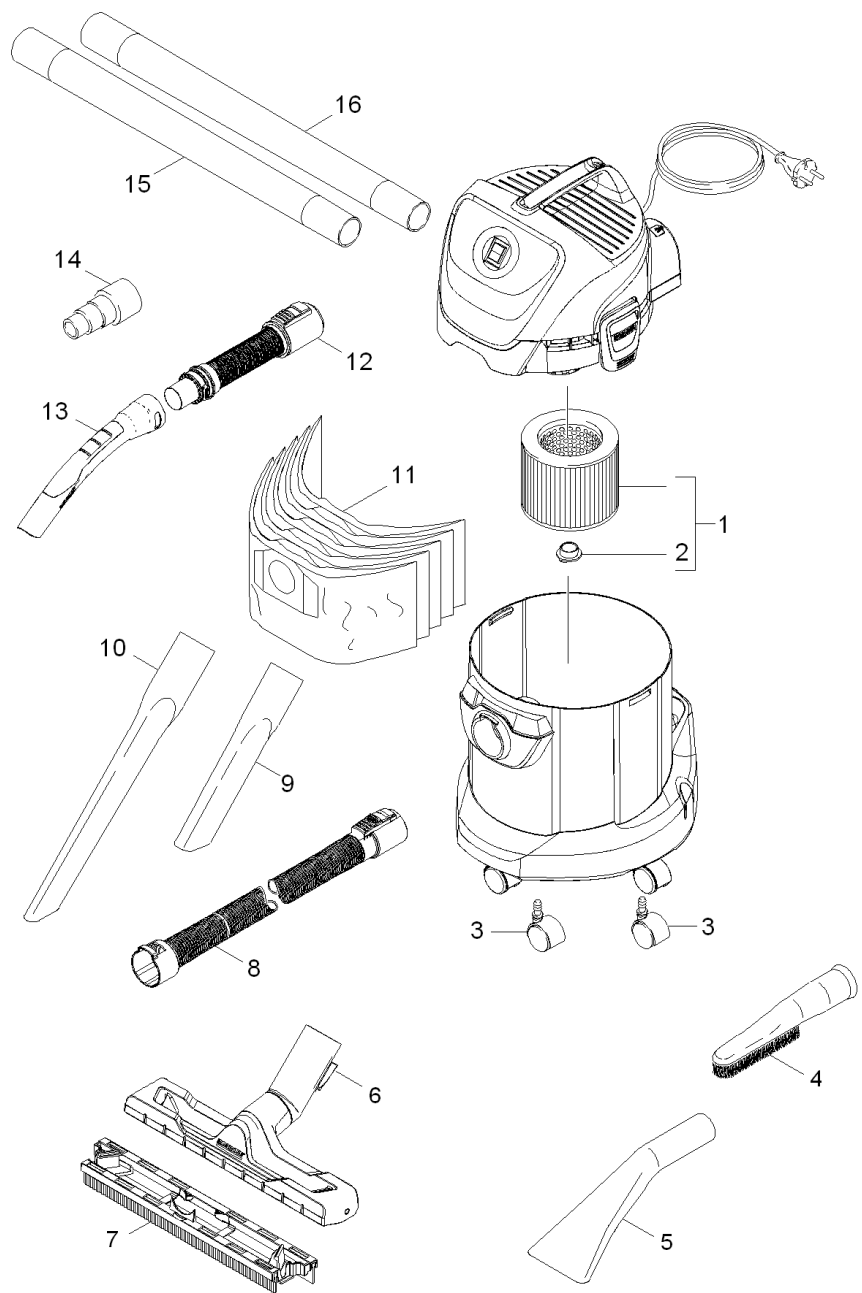
---

WD 3 *EU-I (1.629-800.0)	3
Short spare parts list	4
10 Appliance individual parts	6
20 Tank	8
1 Tank complete plastics (4.440-010.0)	10
30 Accessories	12

WD 3 \*EU-I (1.629-800.0)

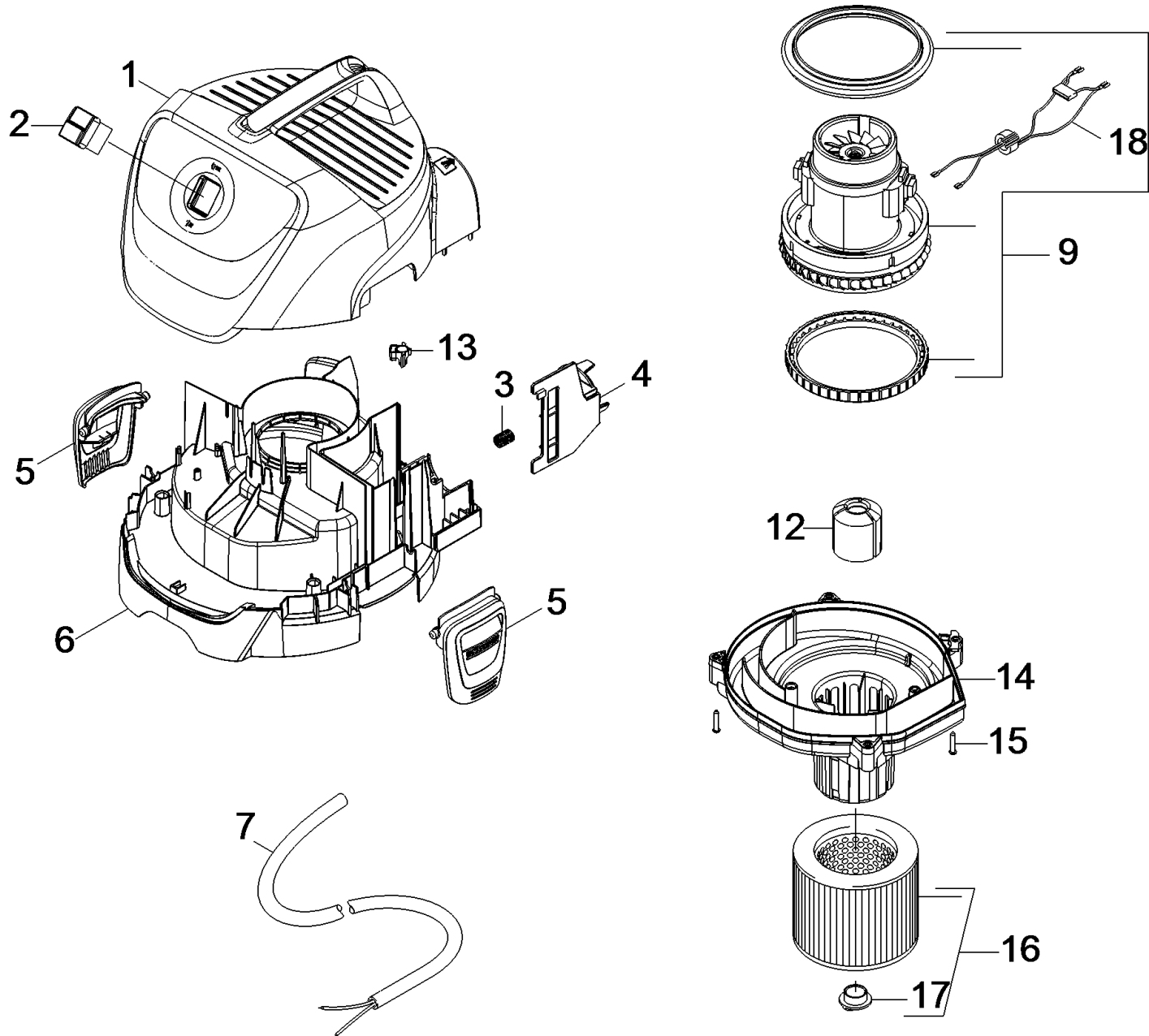
---

<b>POS</b>	<b>Description</b>	<b>Quantity</b>	<b>Unit</b>
0	Short spare parts list	1.000	ST
10	Appliance individual parts	1.000	ST
20	Tank	1.000	ST
30	Accessories	1.000	ST



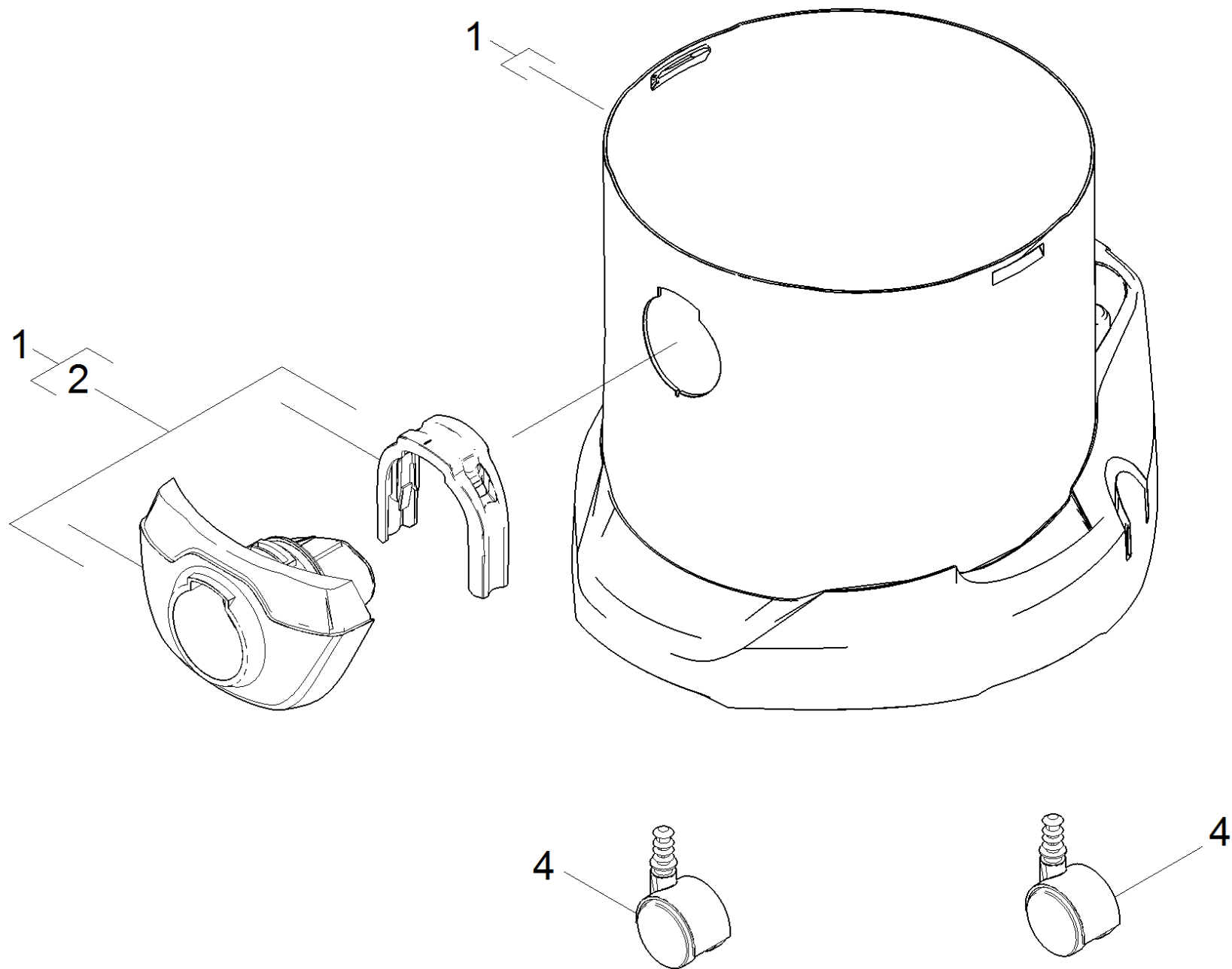
## Short spare parts list

POS	Article no.	Description	Quantity	Unit
1	6.414-552.0	Cartridge filter WD/SE	1.000	ST
2	4.075-012.0	Closure complete	1.000	ST
3	6.435-353.0	Castor D 42	4.000	ST
4	2.863-147.0	Suction brush soft bristles WD/SE	1.000	ST
5	2.863-145.0	Car nozzle WD/SE	1.000	ST
6	4.629-013.0	Floor tool clip packaged	1.000	ST
7	4.629-016.0	Mixing insert floor nozzle packaged	1.000	ST
8	4.441-068.0	Hose extension packaged 1,5 m	1.000	ST
9	6.900-385.0	Crevice nozzle DN35	1.000	ST
10	2.863-223.0	Crevice nozzle extra long WD/SE	1.000	ST
11	6.959-130.0	Filter bag WD/SE 5pc.	1.000	ZSA
12	4.441-066.0	Hose complete packaged	1.000	ST
13	2.863-012.0	Hand grip suction hose	1.000	ST
14	9.048-061.0	Connecting sleeve	1.000	ST
15	2.863-148.0	Extension suction tube WD	2.000	ST



## 10 Appliance individual parts

POS	Article no.	Description	Quantity	Unit	Remark
1	5.069-310.0	Cover WD 3 / WD 3.XXX neutral	1.000	ST	
2	6.630-087.0	Switch	1.000	ST	
3	5.332-997.0	Helical spring	1.000	ST	
4	5.640-363.0	Slider	1.000	ST	
5	5.075-037.0	Closure	2.000	ST	
6	5.053-183.0	Motor bracket	1.000	ST	
7	6.647-996.0	Cable with plug *EU Cable with plug	1.000	ST	*EU
9	4.490-000.0	Vacuum motor complete for replacement Cu	1.000	ST	
12	5.585-062.0	Float ECO	1.000	ST	
13	5.034-734.0	Retaining bracket	1.000	ST	
14	5.731-646.0	Filter cage	1.000	ST	
15	6.303-150.0	Screw 4,2x 22	6.000	ST	
16	6.414-552.0	Cartridge filter WD/SE	1.000	ST	
17	4.075-012.0	Closure complete	1.000	ST	
18	2.884-253.0	Set cable ferrite ring	1.000	ST	

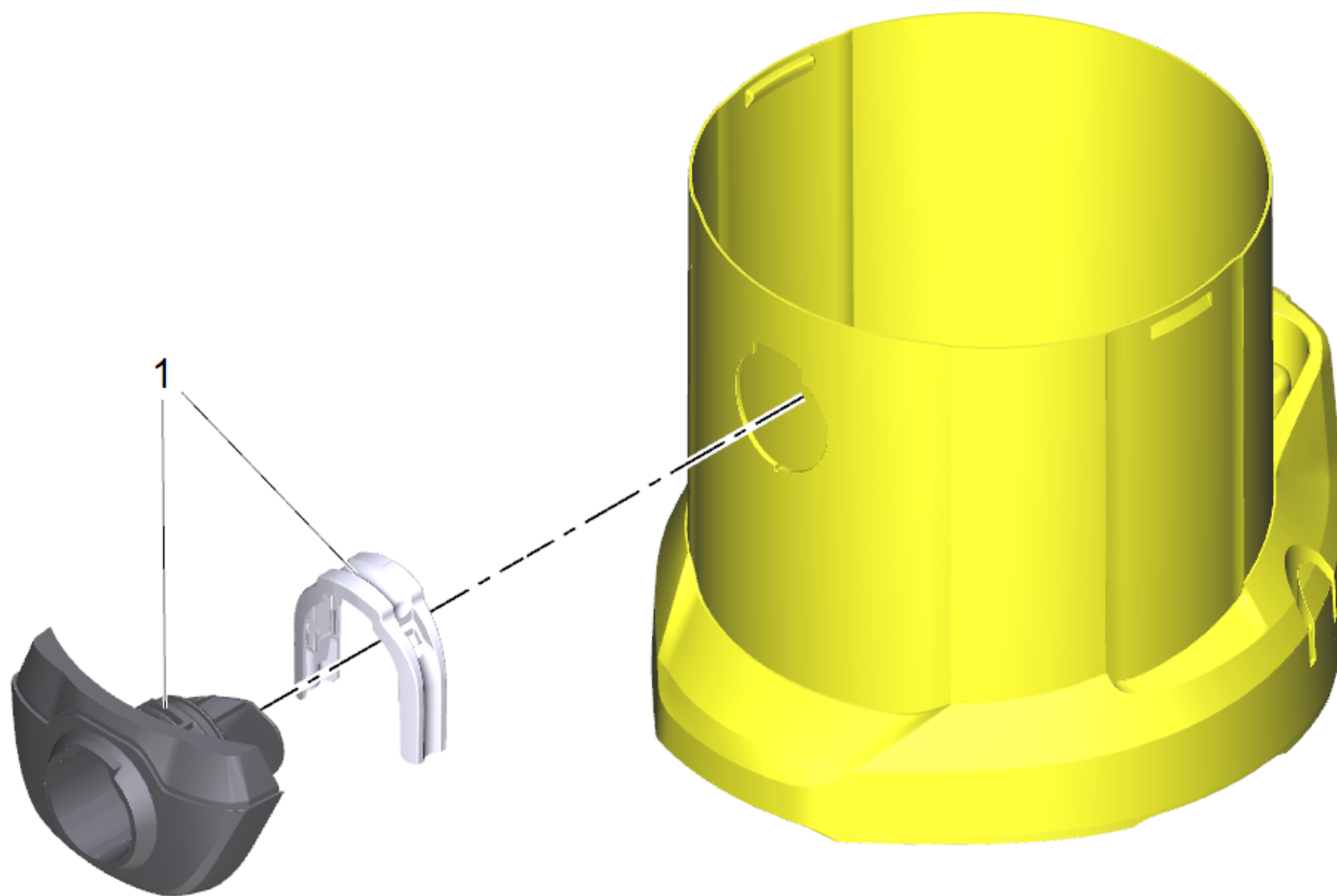




## 20 Tank

---

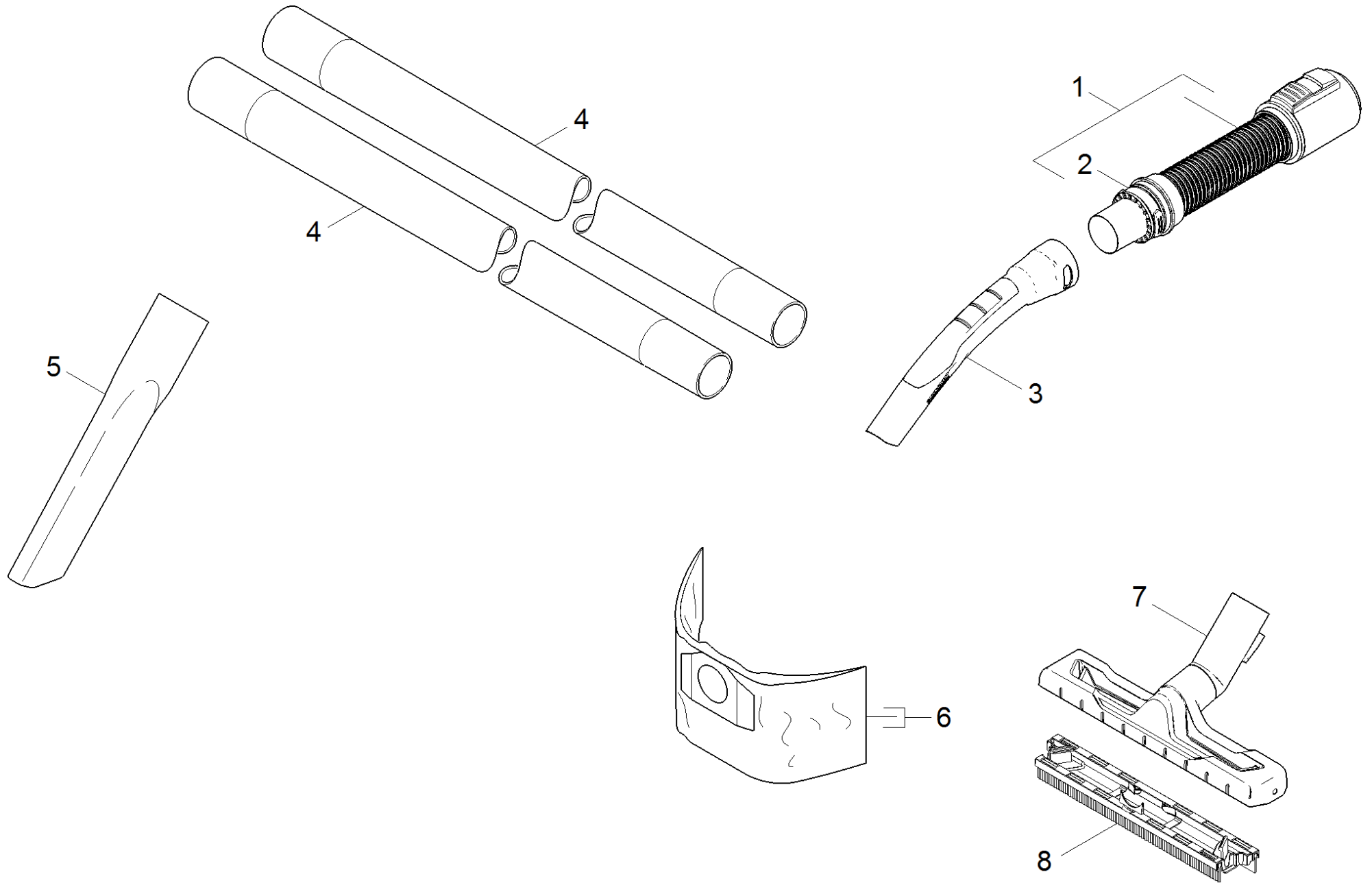
<b>POS</b>	<b>Article no.</b>	<b>Description</b>	<b>Quantity</b>	<b>Unit</b>
1	4.440-010.0	Tank complete plastics	1.000	ST
2	2.885-402.0	Suction connection complete packaged	1.000	ST
4	6.435-353.0	Castor D 42	4.000	ST



1 Tank complete plastics (4.440-010.0)

---

<b>POS</b>	<b>Article no.</b>	<b>Description</b>	<b>Quantity</b>	<b>Unit</b>
1	2.885-402.0	Suction connection complete packaged	1.000	ST



## 30 Accessories

---

<b>POS</b>	<b>Article no.</b>	<b>Description</b>	<b>Quantity</b>	<b>Unit</b>
1	4.441-066.0	Hose complete packaged	1.000	ST
2	6.645-688.0	Spring washer suction hose	1.000	ST
3	2.863-012.0	Hand grip suction hose	1.000	ST
4	2.863-148.0	Extension suction tube WD	2.000	ST
5	6.900-385.0	Crevice nozzle DN35	1.000	ST
6	6.959-130.0	Filter bag WD/SE 5pc.	1.000	ZSA
7	4.629-013.0	Floor tool clip packaged	1.000	ST
8	4.629-016.0	Mixing insert floor nozzle packaged	1.000	ST