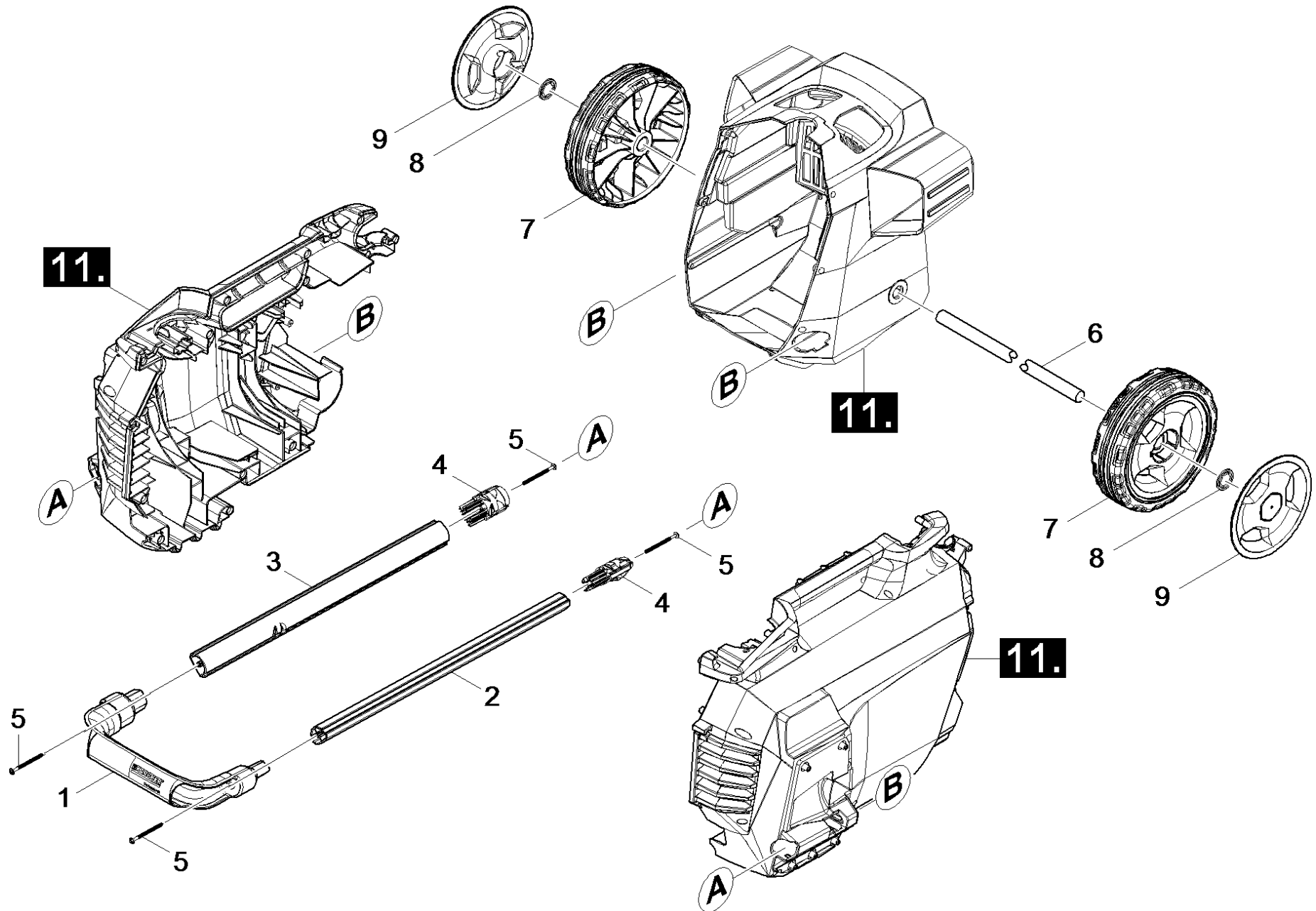


12 Hand grip and wheels

Professional \ High pressure cleaner cold water \ Electric motor \ HD 5/15 CX Plus*EU \ Spare parts list high-pressure 5/15 CX P \ Housing \ Hand grip and wheels



12 Hand grip and wheels

Professional \ High pressure cleaner cold water \ Electric motor \ HD 5/15 CX Plus*EU \ Spare parts list high-pressure 5/15 CX P \ Housing \ Hand grip and wheels

KÄRCHER

POS	Article no.	Description	Quantity	Unit
6	5.105-399.0	Axle	1	PC
4	5.645-676.0	End piece locking part	2	PC
1	5.324-161.0	Hand grip	1	PC
8	6.343-168.0	Lock washer	2	PC
5	6.303-562.0	Saucer-head screw D4x55	4	PC
2	5.645-674.0	Tube left Trolley	1	PC
3	5.645-853.3	Tube right for replacement Trolley	1	PC
9	5.515-386.0	Wheel cap large RAL 7012	2	PC
7	5.515-361.0	Wheel D180	2	PC