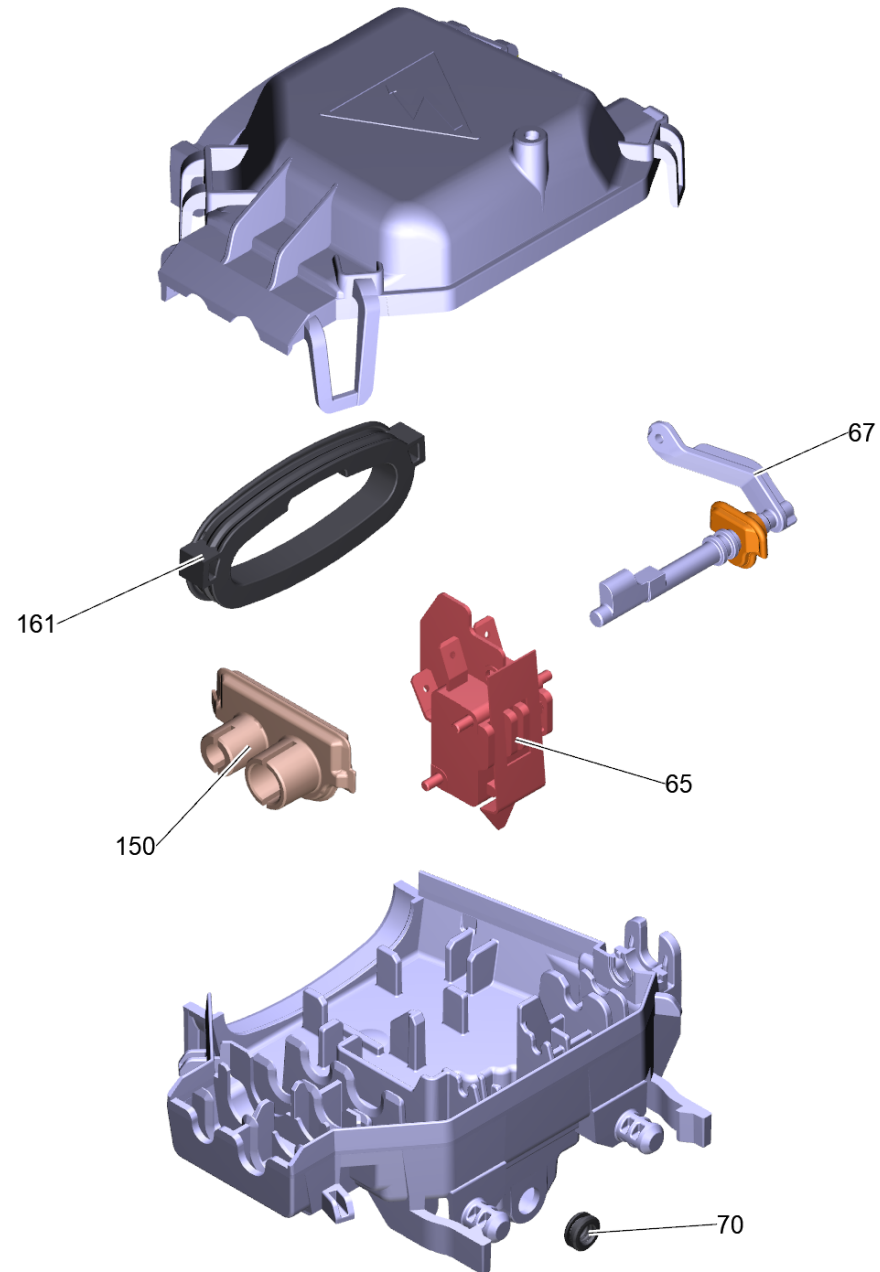


53 Electric box complete HDC

Professional \ High pressure cleaner hotwater \ Electric motor \ HDS 5/15 UX *EU \ HDS 5/15 UX *EU \ Pump set HDS U 5/11 *EU \ Electric box complete HDC



53 Electric box complete HDC

Professional \ High pressure cleaner hotwater \ Electric motor \ HDS 5/15 UX *EU \ HDS 5/15 UX *EU \ Pump set HDS U 5/11 *EU \ Electric box complete HDC



POS	Article no.	Description	Quantity	Unit
65	6.961-079.3	Micro switch	1	PC
67	2.885-376.0	Selector shaft spare parts set HDC	1	PC
70	5.363-749.0	Seal control piston	1	PC
150	5.363-807.0	Seal cable HDC	1	PC
161	5.363-761.0	Seal label	1	PC