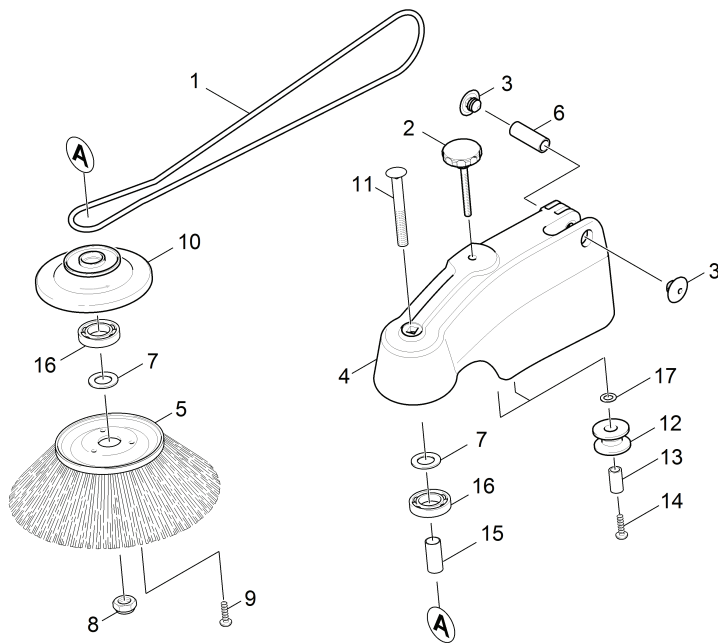


22 Side broom left

Professional \ Sweepers \ Combustion engine \ KM 70/20 C mit 2.SB - Sochi \ Spare parts list KM 70/20 C 2SB \ Side broom \ Side broom left

KÄRCHER



22 Side broom left

Professional \ Sweepers \ Combustion engine \ KM 70/20 C mit 2.SB - Sochi \ Spare parts list KM 70/20 C 2SB \ Side broom \ Side broom left

KÄRCHER

POS	Article no.	Description	Quantity	Unit
4	5.032-671.0	Arm side broom left	1.000	ST
16	7.401-008.0	Ball bearing 6001-2RS-EDELSTAHL DIN 625	2.000	ST
12	6.997-622.0	Deflection pulley	2.000	ST
10	6.966-002.0	Flange	1.000	ST
8	7.311-511.0	Hexagon nut M10-8-A2E ISO 7040	1.000	ST
3	6.385-935.0	Plug	2.000	ST
1	6.348-020.0	Round belt	1.000	ST
11	7.303-208.0	Saucer-head screw M10x130-St-A0P DIN 60	1.000	ST
14	7.303-114.0	Screw 6 x 35-ST-10.9-R2R (IN6RD)	2.000	ST
9	6.303-092.0	Screw 6X20	3.000	ST
5	6.966-005.0	Side broom	1.000	ST
6	5.116-119.0	Sleeve	1.000	ST
15	6.966-020.0	Spacer sleeve 12x0,8x31	1.000	ST
13	6.966-009.0	Tube 10x1,5x16	2.000	ST
2	6.321-176.0	Turning knob yellow D55mm	1.000	ST
17	7.312-276.0	Washer 6 -200HV-A2E ISO7093-1	2.000	ST
7	7.312-153.0	Washer 10 -160HV-A3E EN28738	2.000	ST