

## **Spare parts list**

(1.524-201.0) HD 7/18 - 4MX \*EU

## Table of contents

---

HD 7/18 - 4MX *EU (1.524-201.0)	4
Spare parts list HD 7/18-4M (5.970-409.0)	5
10 Housing	6
11 Housing	7
10 Cover cleaning agents complete (4.060-866.0)	10
12 Hose reel	12
2 Spare part set (2.884-857.0)	14
4 Spare part set (2.884-858.0)	16
20 Pump set	18
21 Cylinder head	19
5 Suction cover complete (4.064-005.0)	22
9 Pressure gauge complete (4.423-024.0)	23
10 Valve (3 Stueck) (2.884-512.0)	24
16 Valve screw (4.483-001.0)	26
25 Valve pin complete (4.584-022.0)	28
27 Nozzle insert complete (4.769-052.0)	30
28 Valve seat complete (4.481-226.0)	31
32 Spare part set (2.884-551.0)	33
33 Spare part set overflow valve (2.884-550.0)	34
37 Valve complete (4.580-594.0)	35
100 Spare parts set pump high-pressure 7/18 (2.884-883.0)	37
3 Valve (3 Stueck) (2.884-512.0)	38
22 Cylinder head	40
5 Suction cover complete (4.064-005.0)	43
9 Pressure gauge complete (4.423-024.0)	44
10 Valve (3 Stueck) (2.884-512.0)	45
16 Valve screw (4.483-001.0)	47
23 Spare part set cylinder head (4.550-723.0)	49
25 Valve pin complete (4.584-022.0)	50
27 Nozzle insert complete (4.769-052.0)	52
28 Valve seat complete (4.481-226.0)	53
32 Spare part set (2.884-551.0)	55
33 Spare part set overflow valve (2.884-550.0)	56
37 Valve complete (4.580-594.0)	57
100 Spare parts set pump high-pressure 7/18 (2.884-883.0)	59
3 Valve (3 Stueck) (2.884-512.0)	60
23 Thrust guidance	62
7 Spare part set piston complete (4.553-245.0)	64

## Table of contents

---

100 Pump set for piston HD 7/18 M (2.885-020.0)	65
14 Valve screw (4.483-001.0)	66
30 Motor	68
31 Transmission	69
Motor complete (4.623-711.0)	71
6 Piece of tube	72
32 Ventilation	73
Motor complete (4.623-711.0)	75
6 Piece of tube	76
40 Accessories	77
41 Hand trigger gun	78
1 HAND TRIGGER GUN EASY PRESS (4.775-463.0)	80
9002 Lever complete (4.481-209.0)	82
4 Lever complete (4.481-209.0)	84
10 Hose assembly standard DN6 25MPa 10m (6.391-238.0)	86
42 Hand trigger gun	88
1 Hand trigger gun (4.775-466.0)	90
60 Adapter pipelines AVS-M22x1,5 (4.421-739.3)	92
9002 Lever complete (4.481-209.0)	94
4 Lever complete (4.481-209.0)	96
9 Adapter pipelines AVS-M22x1,5 (4.421-739.3)	98
43 Jet pipe	100
1 Jet pipe packaged only for replacement (4.760-660.0)	102
44 Nozzle	104
12 Dirt blaster (4.763-988.0)	106
999 Spare part set dirt blaster 045 (2.884-113.0)	108
45 Nozzle	110
Triple jet nozzle only for replacement 0 (4.767-151.0)	112
2 Spare parts list triple jet nozzle (5.970-837.0)	113
10 Triple jet nozzle plastics	114
20 Triple jet nozzle brass	116
46 Screw union	118
1 Screw union (4.402-022.0)	120
50 Electric box	121

HD 7/18 - 4MX \*EU (1.524-201.0)

---

POS	Article no.	Description	Quantity	Unit
0	5.970-409.0	Spare parts list HD 7/18-4M	1	PC
<b>Item text2:</b> 3EC1583E08967362E1000000C34F56CF15141010				

---

Spare parts list HD 7/18-4M (5.970-409.0)

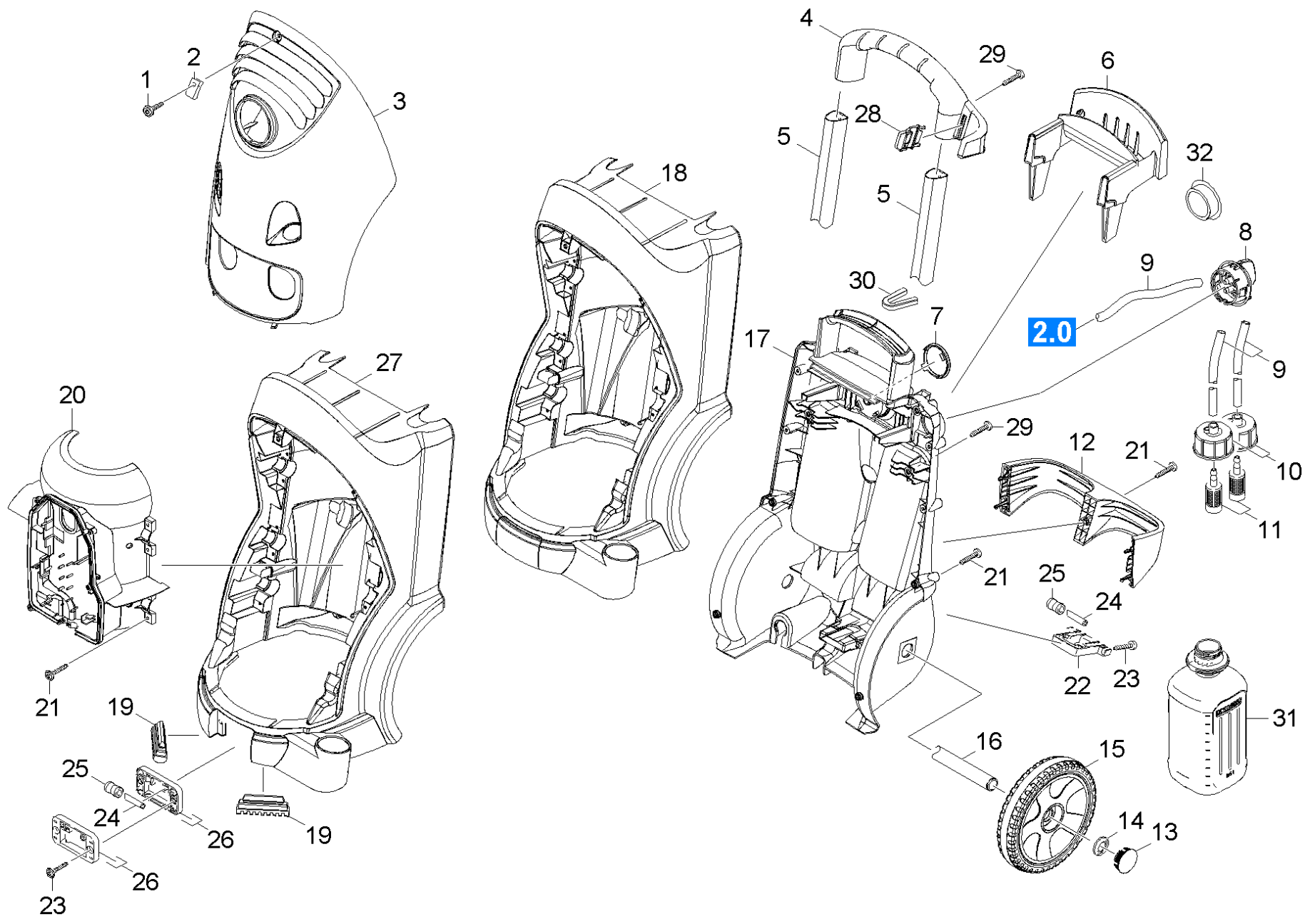
---

<b>POS</b>	<b>Description</b>	<b>Quantity</b>	<b>Unit</b>
10	Housing	1	PC
20	Pump set	1	PC
30	Motor	1	PC
40	Accessories	1	PC
50	Electric box	1	PC

## 10 Housing

---

<b>POS</b>	<b>Description</b>	<b>Quantity</b>	<b>Unit</b>	<b>Remark</b>
11	Housing	1	PC	
12	Hose reel	1	PC	HD 7/18 MX



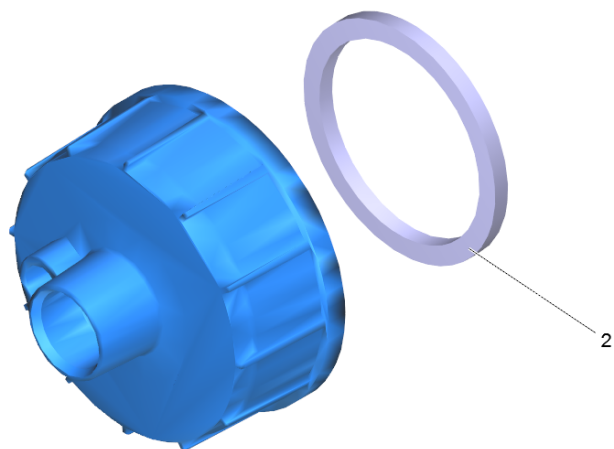
## 11 Housing

POS	Article no.	Description	Quantity	Unit	Foot note text
1	6.304-099.0	Saucer-head screw M 6x 18-4.8-R2R	1	PC	
2	6.310-053.0	Putting nut	1	PC	
3	4.069-018.0	Cover HD Basis/Mittelklasse	1	PC	
4	5.321-751.0	Handhold	1	PC	
5	5.107-262.0	Bar	2	PC	
6	5.044-735.0	Holder	1	PC	
7	5.032-475.0	Covering cap cover	1	PC	
8	4.580-645.0	Proportioning valve chemistry	1	PC	
	<b>Item text1:</b> 1.524-200.0 /-201.0 /-208.0 /-210.0				
	<b>Item text2:</b> /-211.0				
9	6.388-216.0	Hose DN 5	1	m	TO ORDER AS CUT GOODS
	<b>Item text1:</b> 1.524-200.0 /-201.0 /-208.0 /-210.0				
	<b>Item text2:</b> /-211.0				
10	4.060-866.0	Cover cleaning agents complete	2	PC	
	<b>Item text1:</b> 1.524-200.0 /-201.0 /-208.0 /-210.0				
	<b>Item text2:</b> /-211.0				
11	5.731-652.0	Filter with weight	2	PC	
	<b>Item text1:</b> 1.524-200.0 /-201.0 /-208.0 /-210.0				
	<b>Item text2:</b> /-211.0				
12	5.032-747.0	Retaining bracket	1	PC	
13	5.392-038.0	Wheel cap	2	PC	
14	6.343-217.0	Clamping washer D25	2	PC	
15	4.515-255.0	Wheel	1	PC	SET OF 2 PIECES
16	5.105-413.0	Axle	1	PC	
17	5.050-431.0	Frame rear panel	1	PC	
18	5.050-258.3	Frame front part	1	PC	
	<b>Item text1:</b> 1.524-200.0 / -207.0 /-208.0				
19	5.057-062.0	Support	2	PC	
20	5.692-075.0	Air circulation	1	PC	
21	7.303-108.0	Screw 5x20 -10.9-R2R (In6Rd)	19	PC	
22	5.044-647.0	Holder roller rear	1	PC	
	<b>Item text1:</b> 1.524-201.0 / -210.0 / -211.0				
23	5.044-216.0	Holder	1	PC	



## 11 Housing

POS	Article no.	Description	Quantity	Unit	Foot note text
		<b>Item text1:</b> 1.524-201.0 / -210.0 / -211.0			
24	5.128-511.0	Axle	4	PC	
		<b>Item text1:</b> 1.524-201.0 / -210.0 / -211.0			
25	5.515-191.0	Roller	4	PC	
		<b>Item text1:</b> 1.524-201.0 / -210.0 / -211.0			
26	5.044-646.0	Holder roller front	2	PC	
		<b>Item text1:</b> 1.524-201.0 / -210.0 / -211.0			
27	5.050-252.0	Frame front part	1	PC	
		<b>Item text1:</b> 1.524-201.0 / -210.0 / -211.0			
28	5.044-216.0	Holder	1	PC	
29	7.303-048.0	Screw M6x20 -St-R3R (In6Rd)	8	PC	
30	5.032-782.0	Moulded part	1	PC	
		<b>Item text1:</b> 1.524-201.0 / -210.0 / -211.0			
31	6.394-491.0	Bottle PE 2,5 L	2	ZST	
		<b>Item text1:</b> 1.524-200.0 / -201.0 / -208.0 / -210.0			
		<b>Item text2:</b> /-211.0			
32	5.368-016.0	Cap	1	PC	

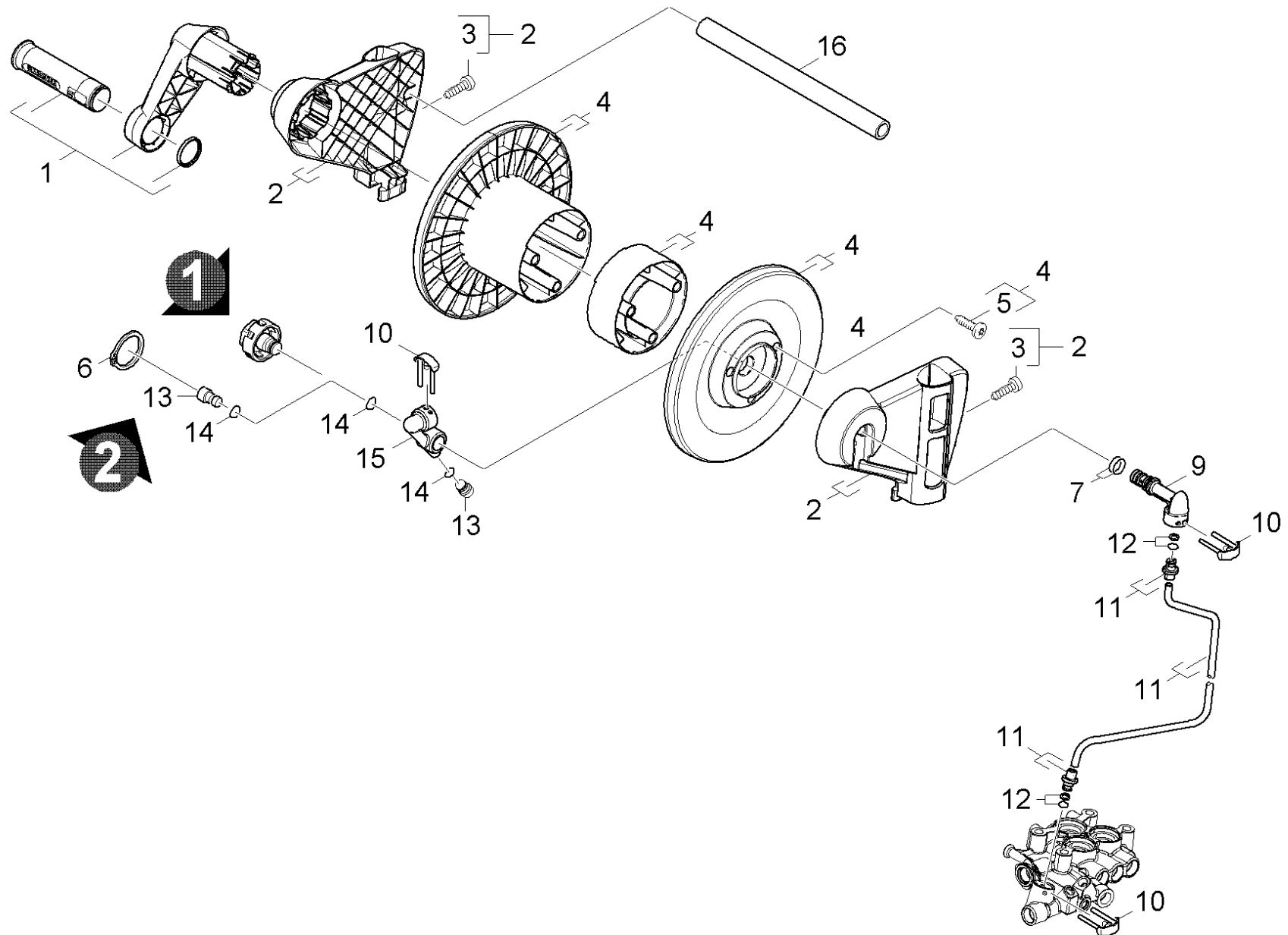


10 Cover cleaning agents complete (4.060-866.0)

---

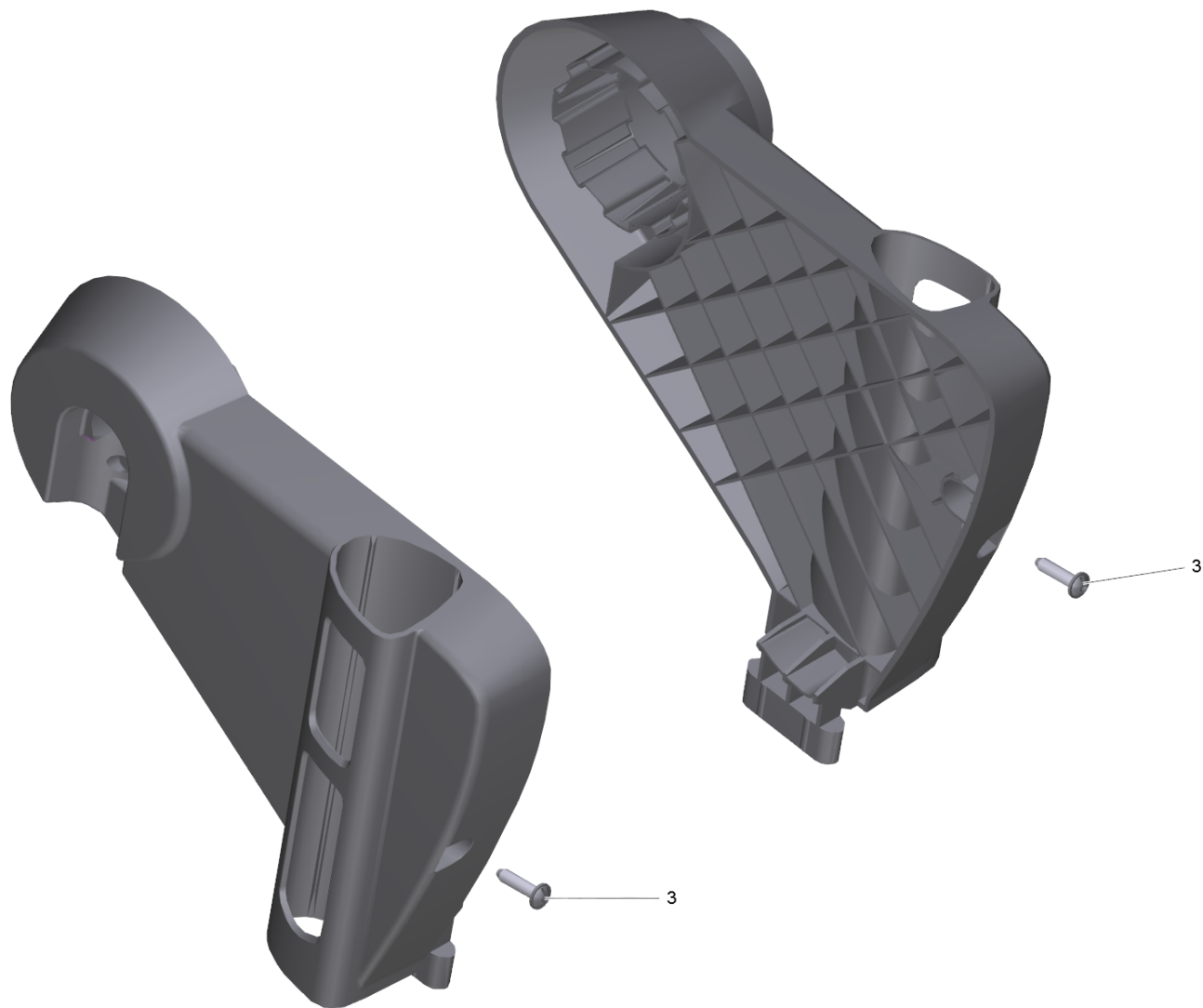
<b>POS</b>	<b>Article no.</b>	<b>Description</b>	<b>Quantity</b>	<b>Unit</b>
2	6.363-304.0	Seal	1	PC

---



## 12 Hose reel

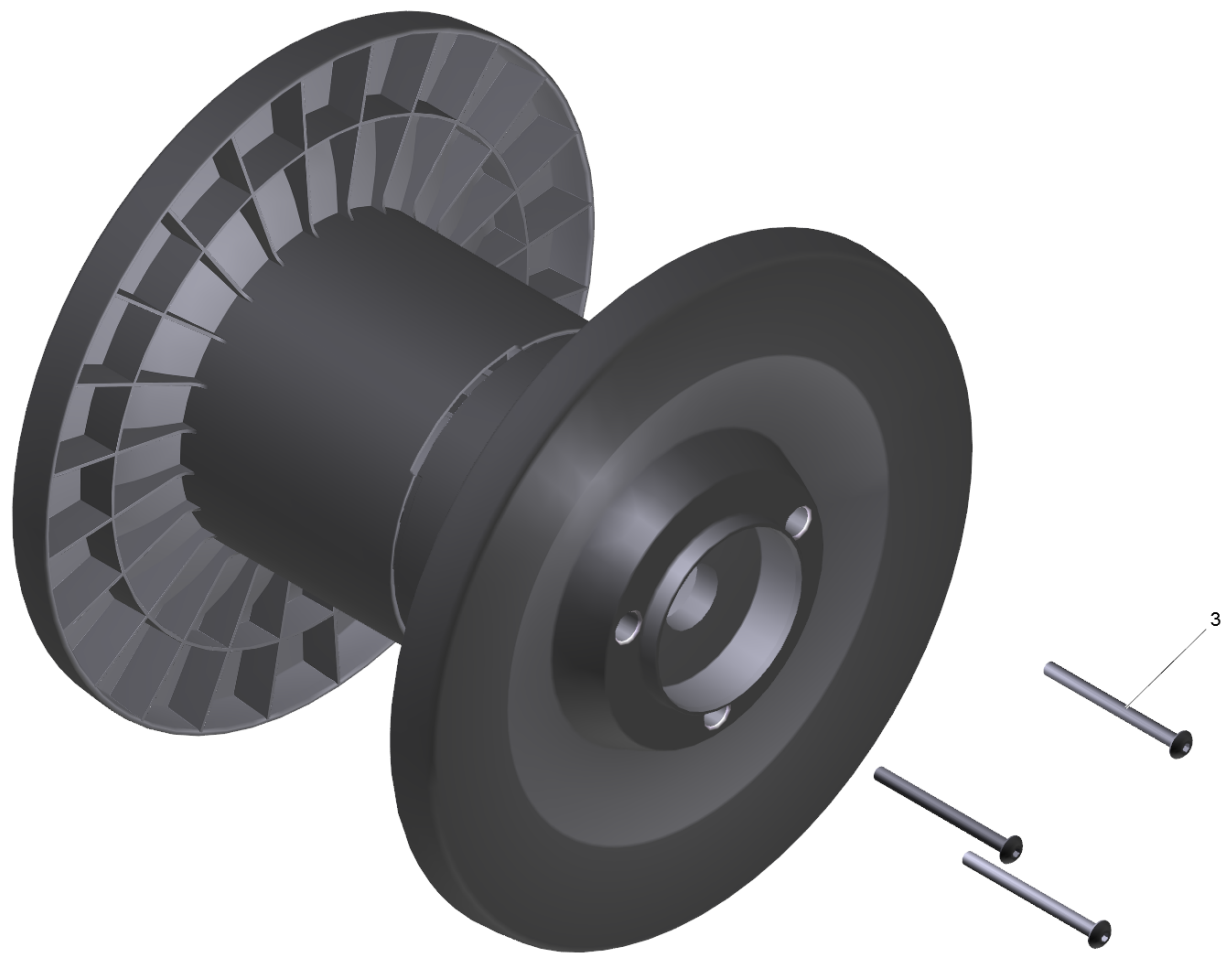
POS	Article no.	Description	Quantity	Unit
1	4.481-213.0	Crank complete	1	PC
2	2.884-857.0	Spare part set	1	PC
3	7.303-048.0	Screw M6x20 -St-R3R (In6Rd)	2	PC
4	2.884-858.0	Spare part set	1	PC
5	6.303-329.0	Screw 5x60 - St. verz. bl.	3	PC
6	7.343-018.0	Locking ring 18x1,2-Rf-St DIN 471	1	PC
7	4.363-693.0	O-Ring seal kpl. -nur fuer Ersatz-	2	PC
9	5.427-328.0	Manifold	1	PC
10	4.037-013.0	Hook	3	PC
11	4.421-911.0	Pipelines complete	1	PC
12	4.363-691.0	O-Ring seal kpl. -nur fuer Ersatz-	2	PC
13	5.411-161.0	CLOSING SCREW M10X1	2	PC
14	6.362-703.0	O-Ring seal 6,0x1,5-NBR 70	2	PC
15	5.427-326.0	Manifold	1	PC
16	5.107-263.0	Bar VA	1	PC



2 Spare part set (2.884-857.0)

---

POS	Article no.	Description	Quantity	Unit
3	7.303-048.0	Screw M6x20 -St-R3R (In6Rd)	2	PC





4 Spare part set (2.884-858.0)

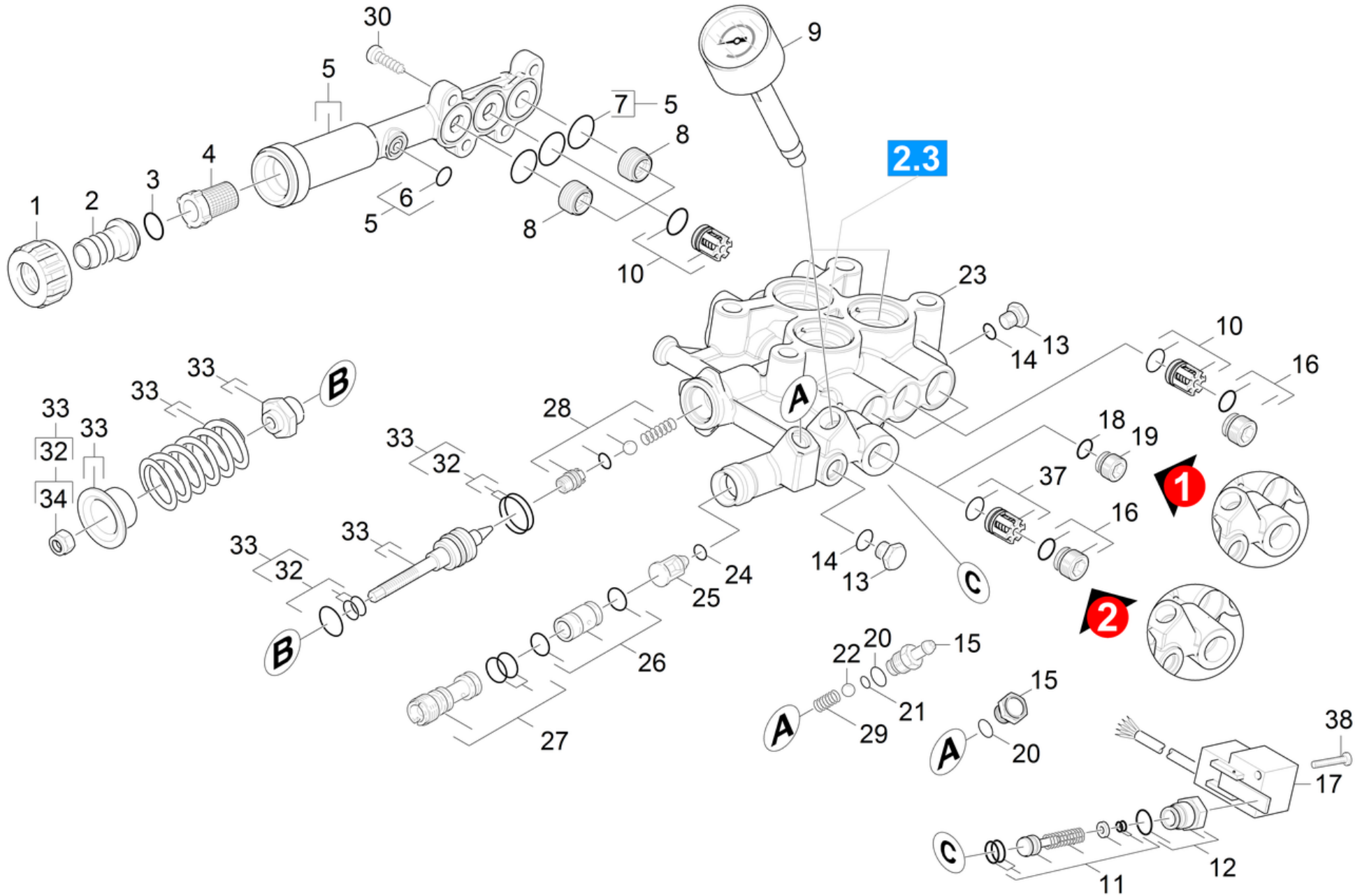
---

POS	Article no.	Description	Quantity	Unit
3	6.303-329.0	Screw 5x60 - St. verz. bl.	3	PC

## 20 Pump set

---

<b>POS</b>	<b>Description</b>	<b>Quantity</b>	<b>Unit</b>	<b>Remark</b>
21	Cylinder head	1	PC	HD 7/18 M
22	Cylinder head	1	PC	HD 7/18 MX
23	Thrust guidance	1	PC	



## 21 Cylinder head

POS	Article no.	Description	Quantity	Unit	Remark
1	5.310-076.0	Nut	1	PC	
2	5.443-291.0	Hose stem	1	PC	
3	6.362-161.0	O-Ring seal 19,3 X 2,4	1	PC	
4	6.414-141.0	Strainer	1	PC	
5	4.064-005.0	Suction cover complete	1	PC	
6	6.362-388.0	O-Ring seal 8,0x1,5 -EPDM 70	1	PC	
7	6.363-536.0	O-Ring seal 21x1,5	3	PC	
8	5.583-177.0	Valve screw M20x1	3	PC	
9	4.423-024.0	Pressure gauge complete	1	PC	
10	2.884-512.0	Valve (3 Stueck)	1	PC	
11	2.884-869.0	Spare part set control piston	1	PC	
12	4.411-011.0	Spare part set HD 7/18 M	1	PC	
13	5.411-070.0	Screw plug	2	PC	
14	6.362-690.0	O-Ring seal 7x2 - NBR 70	2	PC	
15	5.411-516.0	Screw plug	1	PC	
	<b>Item text1:</b> 1.524-207.0				
15	5.443-624.0	Nipple	1	PC	
	<b>Item text1:</b> 1.524-200.0 /-201.0 /-208.0 /-210.0				
	<b>Item text2:</b> /-211.0				
16	4.483-001.0	Valve screw	4	PC	
17	6.635-493.0	2-Phases-Switch	1	PC	
18	6.362-528.0	O-Ring seal 9,5 X 2,0	1	PC	
19	5.411-168.0	Valve screw M16x1	1	PC	
20	6.362-690.0	O-Ring seal 7x2 - NBR 70	1	PC	
21	6.363-597.0	O-Ring seal 5,28 x 1,78	1	PC	
22	7.401-908.0	Sphere 7 G300 -1.4301 DIN 5401	1	PC	
23	4.550-722.0	Spare part set cylinder head	1	PC	
	<b>Item text1:</b> 1.524-200.0 / -207.0 /-208.0				
23	4.550-813.0	Spare part set cylinder head	1	PC	
24	6.363-613.0	O-Ring seal 4 x 2 -NBR90	1	PC	VERSION 1
25	4.584-022.0	Valve pin complete	1	PC	VERSION 1
26	2.884-853.0	Spare part set nozzle insert	1	PC	
27	4.769-052.0	Nozzle insert complete	1	PC	

## 21 Cylinder head

---

<b>POS</b>	<b>Article no.</b>	<b>Description</b>	<b>Quantity</b>	<b>Unit</b>	<b>Remark</b>
28	4.481-226.0	Valve seat complete	1	PC	
29	5.332-258.0	Helical spring	1	PC	
30	7.306-023.0	Cylinder head screw M6x25 -8.8-A2E ISO4	4	PC	
32	2.884-551.0	Spare part set	1	PC	
33	2.884-550.0	Spare part set overflow valve	1	PC	
34	7.311-510.0	Hexagon nut M 8-8-A2E ISO 7040	1	PC	
37	4.580-594.0	Valve complete	1	PC	
38	7.306-320.0	Oval head screw M 5x40-A2-70 ISO 7045	1	PC	
100	2.884-883.0	Spare parts set pump high-pressure 7/18	1	PC	

## 5 Suction cover complete (4.064-005.0)

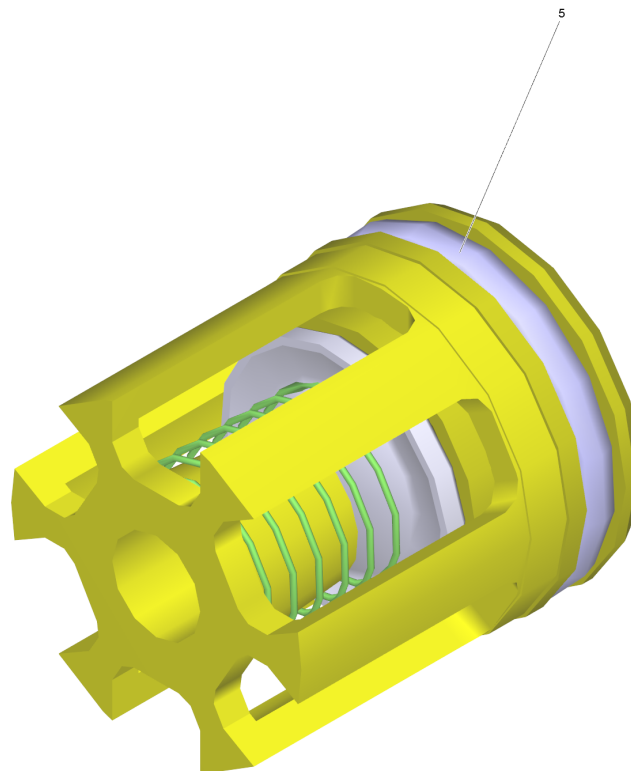
---

<b>POS</b>	<b>Article no.</b>	<b>Description</b>	<b>Quantity</b>	<b>Unit</b>
2	6.363-536.0	O-Ring seal 21x1,5	3	PC
3	6.362-388.0	O-Ring seal 8,0x1,5 -EPDM 70	1	PC
4	6.590-002.0	Bag PE 150x230 mm	1	PC
5	6.376-036.0	Label spare parts neutrally 65x55 MM	1	ZST

9 Pressure gauge complete (4.423-024.0)

---

POS	Article no.	Description	Quantity	Unit
3	6.376-036.0	Label spare parts neutrally 65x55 MM	2	ZST

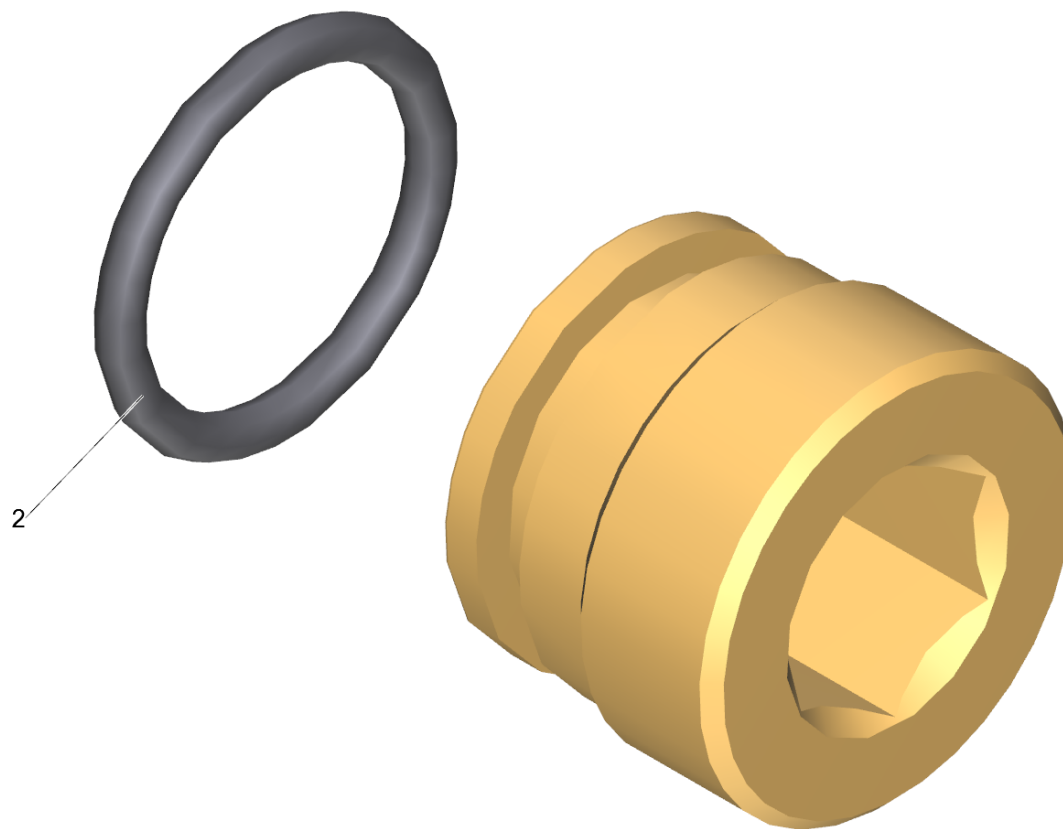




10 Valve (3 Stueck) (2.884-512.0)

---

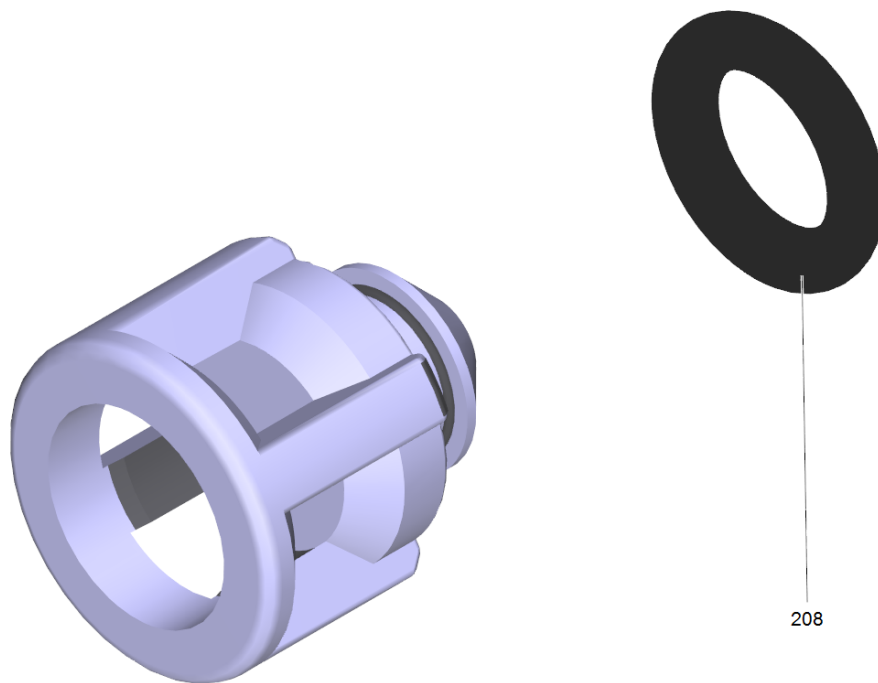
POS	Article no.	Description	Quantity	Unit
5	6.363-003.0	O-Ring seal 13,0 X 2,0-NBR 90	1	PC



16 Valve screw (4.483-001.0)

---

POS	Article no.	Description	Quantity	Unit
2	6.362-481.0	O-Ring seal 14,0 x 2,0 NBR 80	1	PC



25 Valve pin complete (4.584-022.0)

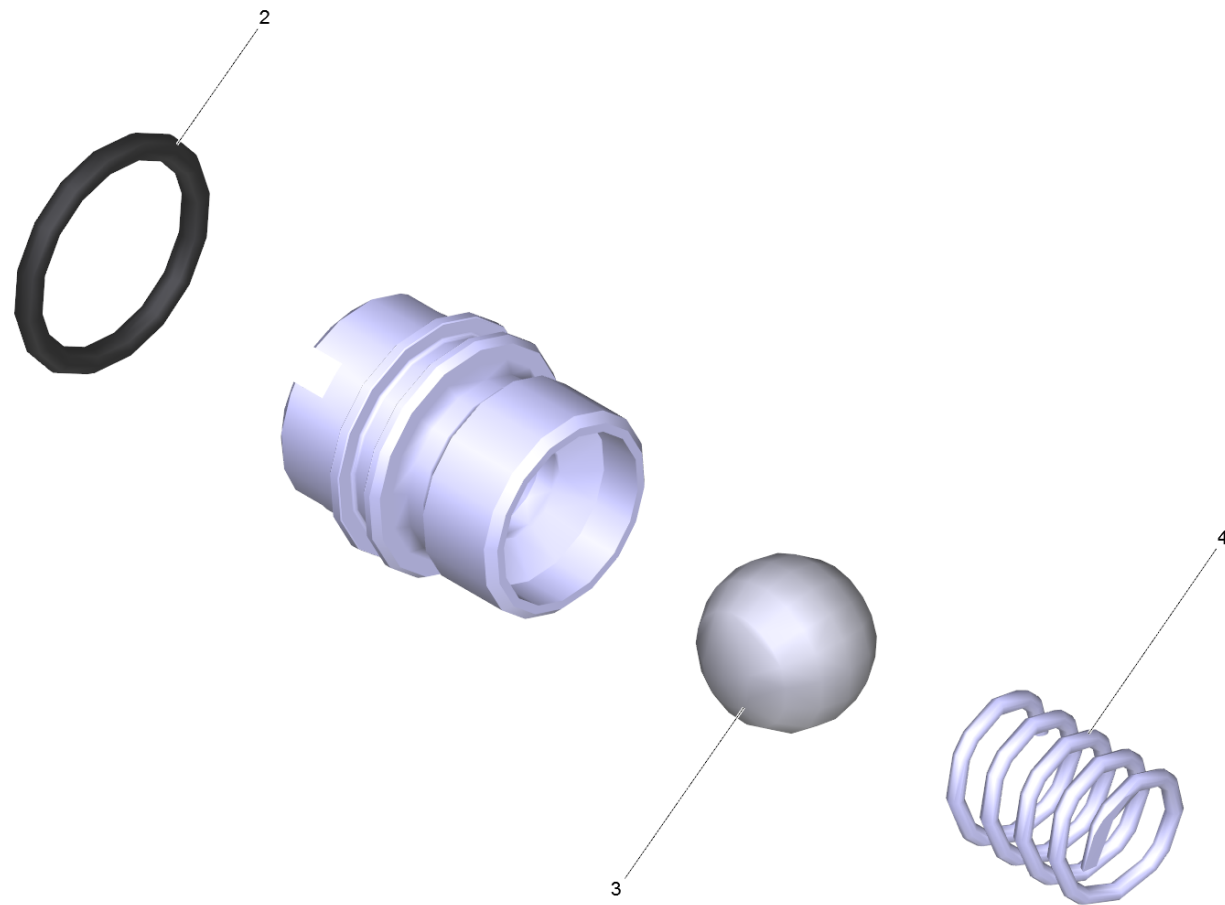
---

POS	Article no.	Description	Quantity	Unit
208	6.363-613.0	O-Ring seal 4 x 2 -NBR90	1	PC

## 27 Nozzle insert complete (4.769-052.0)

---

<b>POS</b>	<b>Article no.</b>	<b>Description</b>	<b>Quantity</b>	<b>Unit</b>
1	5.769-087.0	Nozzle insert black PVDF	1	PC
2	6.363-331.0	O-Ring seal 9,0 x 1,5	2	PC
3	6.590-004.0	Bag PE 80x100 mm	1	PC
4	6.376-036.0	Label spare parts neutrally 65x55 MM	1	ZST



## 28 Valve seat complete (4.481-226.0)

---

POS	Article no.	Description	Quantity	Unit
2	6.362-858.0	O-Ring seal 11,0 X 1,5	1	PC
3	7.401-907.0	Sphere 3/8 G200-1.4301 DIN 5401	1	PC
4	5.332-999.0	Helical spring	1	PC



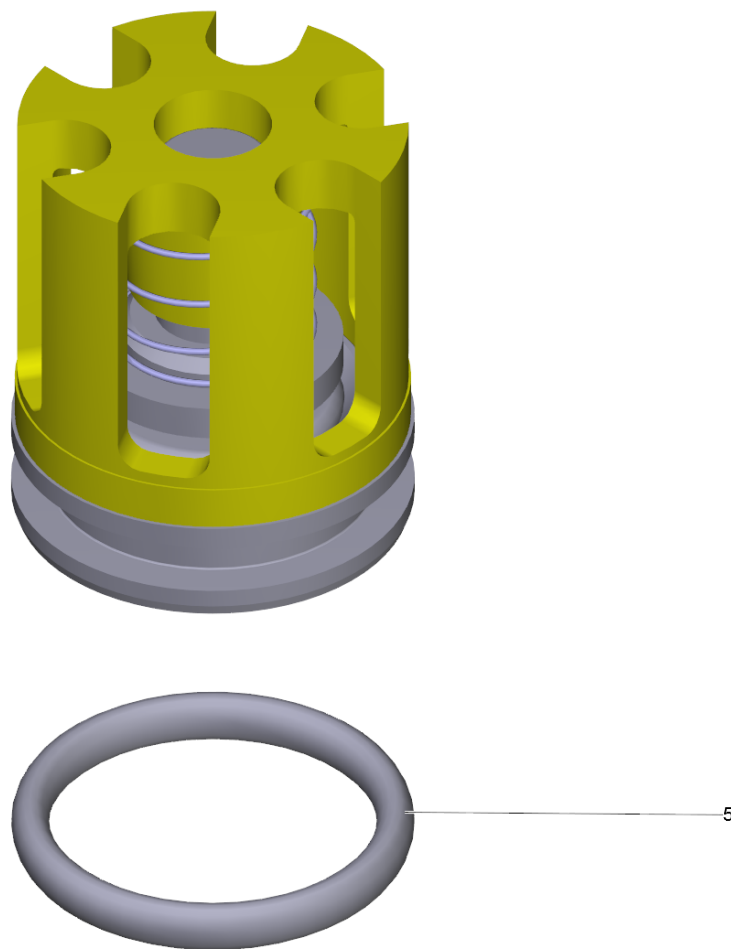
## 32 Spare part set (2.884-551.0)

---

<b>POS</b>	<b>Article no.</b>	<b>Description</b>	<b>Quantity</b>	<b>Unit</b>
44	6.362-365.0	O-Ring seal complete 1ST.-R.- 7,65X 1,7	1	PC
46	6.362-445.0	O-Ring seal 16,0 X 2,4-NBR 80	1	PC
47	6.362-575.0	O-Ring seal 12,42 KOMPL	1	PC
71	7.311-510.0	Hexagon nut M 8-8-A2E ISO 7040	1	PC
101	6.376-036.0	Label spare parts neutrally 65x55 MM	2	ZST

### 33 Spare part set overflow valve (2.884-550.0)

POS	Article no.	Description	Quantity	Unit
7	5.112-757.0	Bush	1	PC
16	5.332-530.0	Helical spring	1	PC
44	6.362-365.0	O-Ring seal complete 1ST.-R.- 7,65X 1,7	1	PC
46	6.362-445.0	O-Ring seal 16,0 X 2,4-NBR 80	1	PC
47	6.362-575.0	O-Ring seal 12,42 KOMPL	1	PC
71	7.311-510.0	Hexagon nut M 8-8-A2E ISO 7040	1	PC
145		Grease	0,01	g
151	6.376-036.0	Label spare parts neutrally 65x55 MM	2	ZST



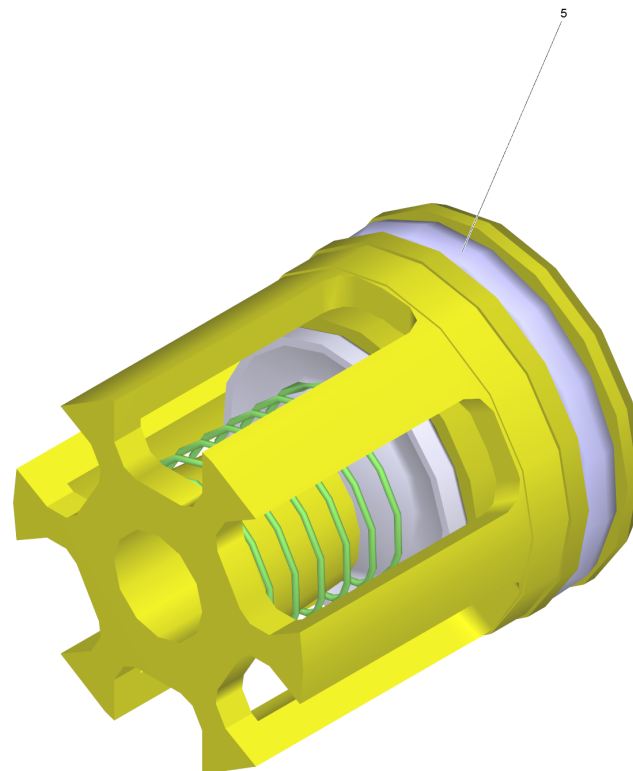
37 Valve complete (4.580-594.0)

---

<b>POS</b>	<b>Article no.</b>	<b>Description</b>	<b>Quantity</b>	<b>Unit</b>
5	6.362-381.0	O-Ring seal 13x2 - NBR 70	1	PC

100 Spare parts set pump high-pressure 7/18 (2.884-883.0)

POS	Article no.	Description	Quantity	Unit
1	6.362-388.0	O-Ring seal 8,0x1,5 -EPDM 70	1	PC
2	6.362-547.0	O-Ring seal 20,0x1,5-NBR 70	3	PC
3	2.884-512.0	Valve (3 Stueck)	2	PC
4	5.112-340.3	Bush	3	PC
5	6.365-332.0	Compact seal 18x28x5,8	3	PC
6	5.115-431.0	Washer	3	PC
7	6.362-406.0	O-Ring seal 33,05X 1,78-NBR 70	3	PC
8	5.115-432.0	Washer	3	PC
9	6.365-333.0	Grooved ring 18X26X5,4	3	PC
10	6.288-072.0	Silicon grease	1	PC
12	6.376-036.0	Label spare parts neutrally 65x55 MM	2	ZST
13	6.590-002.0	Bag PE 150x230 mm	2	PC

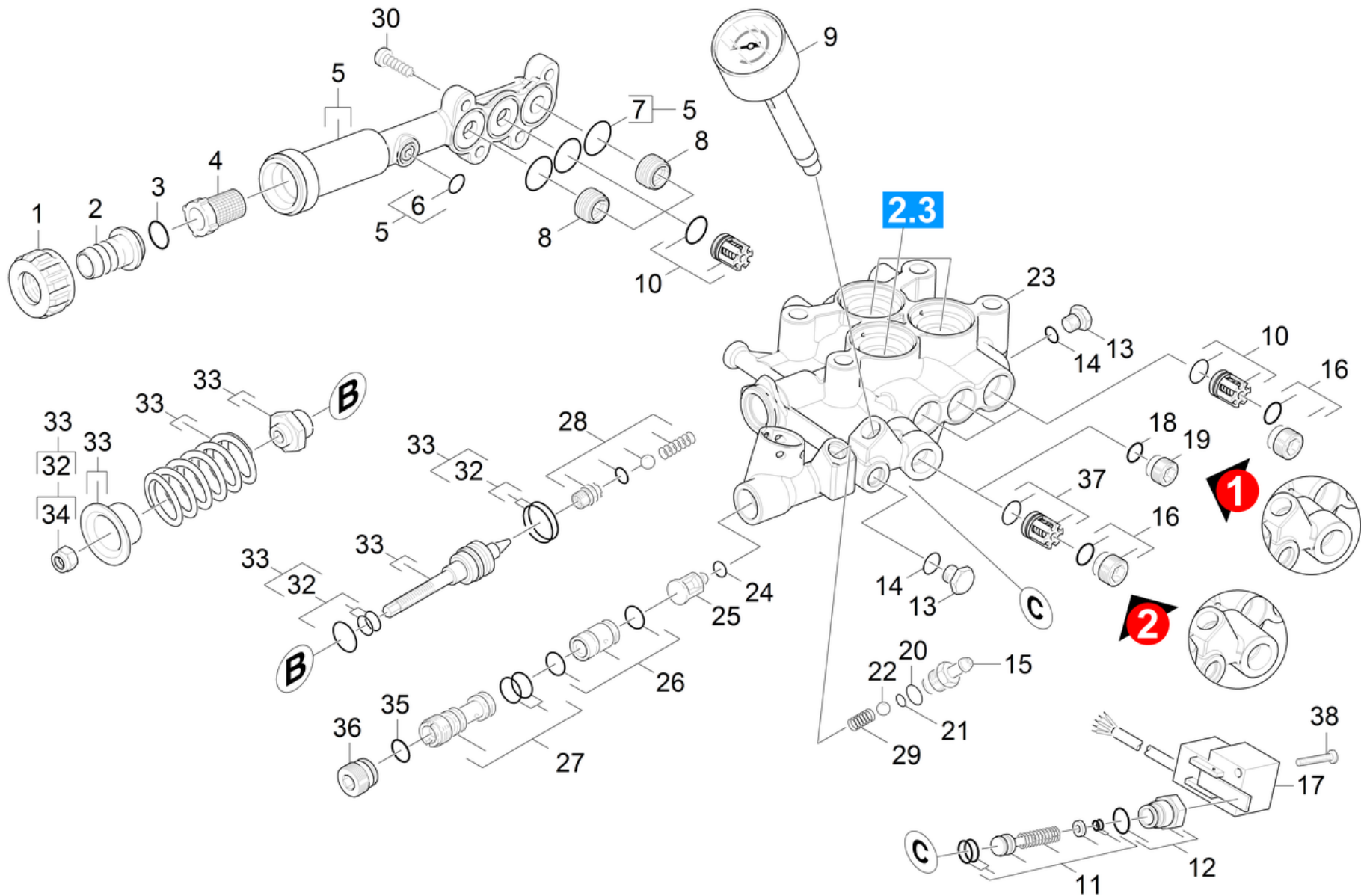


3 Valve (3 Stueck) (2.884-512.0)

---

POS	Article no.	Description	Quantity	Unit
5	6.363-003.0	O-Ring seal 13,0 X 2,0-NBR 90	1	PC

---





## 22 Cylinder head

POS	Article no.	Description	Quantity	Unit	Remark
1	5.310-076.0	Nut	1	PC	
2	5.443-291.0	Hose stem	1	PC	
3	6.362-161.0	O-Ring seal 19,3 X 2,4	1	PC	
4	6.414-141.0	Strainer	1	PC	
5	4.064-005.0	Suction cover complete	1	PC	
6	6.362-388.0	O-Ring seal 8,0x1,5 -EPDM 70	1	PC	
7	6.363-536.0	O-Ring seal 21x1,5	3	PC	
8	5.583-177.0	Valve screw M20x1	2	PC	
9	4.423-024.0	Pressure gauge complete	1	PC	
10	2.884-512.0	Valve (3 Stueck)	1	PC	
11	2.884-869.0	Spare part set control piston	1	PC	
12	4.411-011.0	Spare part set HD 7/18 M	1	PC	
13	5.411-070.0	Screw plug	2	PC	
14	6.362-690.0	O-Ring seal 7x2 - NBR 70	2	PC	
15	5.443-624.0	Nipple	1	PC	
16	4.483-001.0	Valve screw	4	PC	
17	6.635-493.0	2-Phases-Switch	1	PC	
18	6.362-528.0	O-Ring seal 9,5 X 2,0	1	PC	
19	5.411-168.0	Valve screw M16x1	1	PC	
20	6.362-690.0	O-Ring seal 7x2 - NBR 70	1	PC	
21	6.363-597.0	O-Ring seal 5,28 x 1,78	1	PC	
22	7.401-908.0	Sphere 7 G300 -1.4301 DIN 5401	1	PC	
23	4.550-723.0	Spare part set cylinder head	1	PC	
	<b>Item text1:</b> 1.524-201.0 / -210.0 / -211.0 /				
24	6.363-613.0	O-Ring seal 4 x 2 -NBR90	1	PC	VERSION 1
25	4.584-022.0	Valve pin complete	1	PC	VERSION 1
26	2.884-853.0	Spare part set nozzle insert	1	PC	
27	4.769-052.0	Nozzle insert complete	1	PC	
28	4.481-226.0	Valve seat complete	1	PC	
29	5.332-258.0	Helical spring	1	PC	
30	7.306-023.0	Cylinder head screw M6x25 -8.8-A2E ISO4	4	PC	
32	2.884-551.0	Spare part set	1	PC	
33	2.884-550.0	Spare part set overflow valve	1	PC	

## 22 Cylinder head

---

<b>POS</b>	<b>Article no.</b>	<b>Description</b>	<b>Quantity</b>	<b>Unit</b>	<b>Remark</b>
34	7.311-510.0	Hexagon nut M 8-8-A2E ISO 7040	1	PC	
35	6.362-480.0	O-Ring seal 12,42x 1,78	1	PC	
36	5.411-171.0	Screw plug	1	PC	
37	4.580-594.0	Valve complete	1	PC	
38	7.306-320.0	Oval head screw M 5x40-A2-70 ISO 7045	1	PC	
100	2.884-883.0	Spare parts set pump high-pressure 7/18	1	PC	

## 5 Suction cover complete (4.064-005.0)

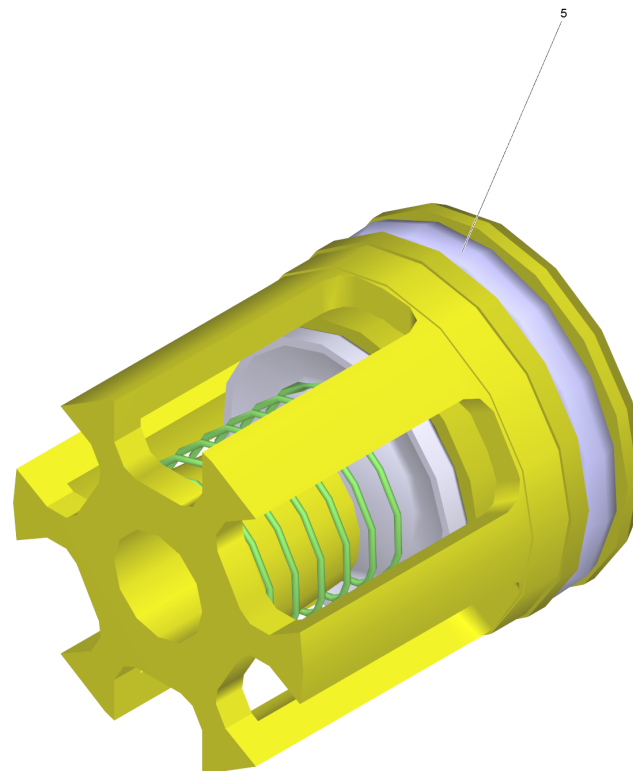
---

<b>POS</b>	<b>Article no.</b>	<b>Description</b>	<b>Quantity</b>	<b>Unit</b>
2	6.363-536.0	O-Ring seal 21x1,5	3	PC
3	6.362-388.0	O-Ring seal 8,0x1,5 -EPDM 70	1	PC
4	6.590-002.0	Bag PE 150x230 mm	1	PC
5	6.376-036.0	Label spare parts neutrally 65x55 MM	1	ZST

9 Pressure gauge complete (4.423-024.0)

---

POS	Article no.	Description	Quantity	Unit
3	6.376-036.0	Label spare parts neutrally 65x55 MM	2	ZST

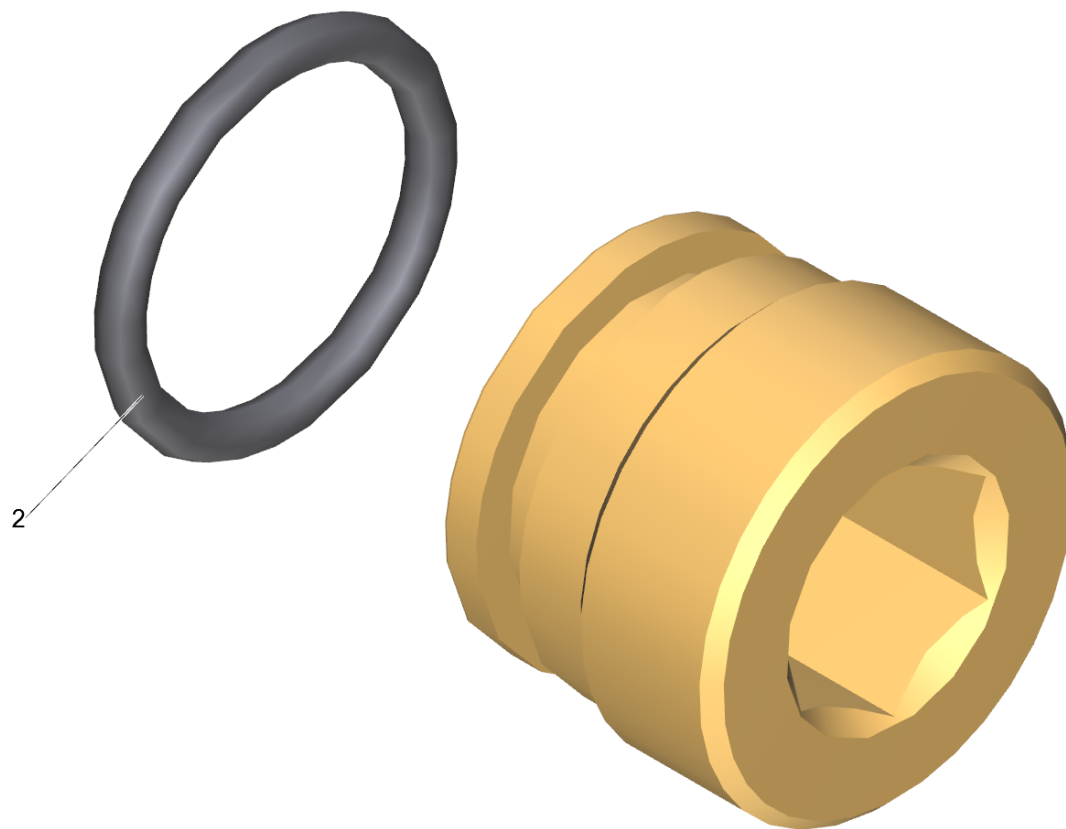


10 Valve (3 Stueck) (2.884-512.0)

---

POS	Article no.	Description	Quantity	Unit
5	6.363-003.0	O-Ring seal 13,0 X 2,0-NBR 90	1	PC

---



16 Valve screw (4.483-001.0)

---

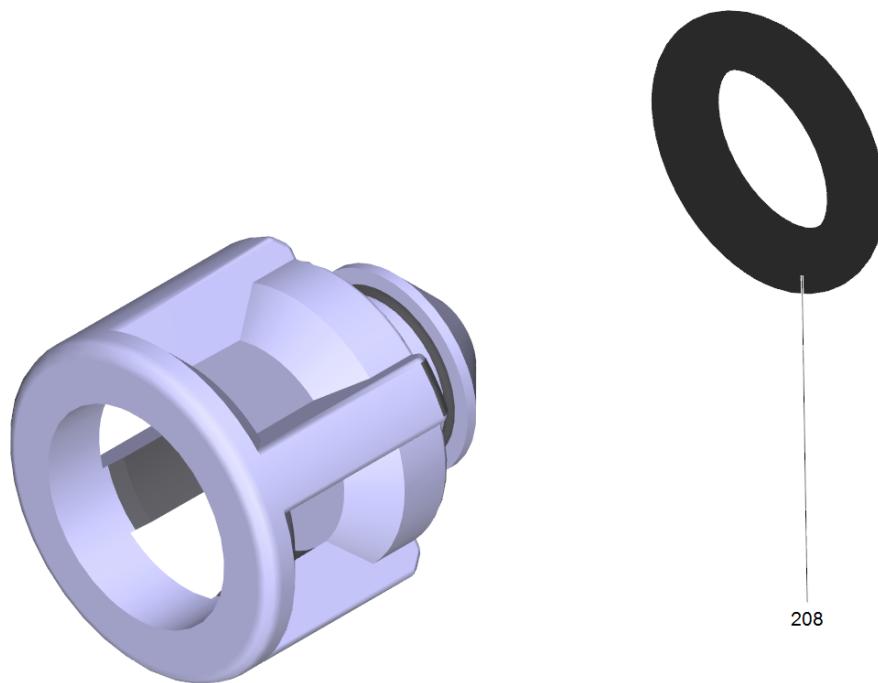
POS	Article no.	Description	Quantity	Unit
2	6.362-481.0	O-Ring seal 14,0 x 2,0 NBR 80	1	PC



## 23 Spare part set cylinder head (4.550-723.0)

---

<b>POS</b>	<b>Article no.</b>	<b>Description</b>	<b>Quantity</b>	<b>Unit</b>
2	6.591-002.0	Folding carton 195x140x280 mm N -1c	1	PC
3	6.591-114.0	Paper cushion	1	m
4	6.376-036.0	Label spare parts neutrally 65x55 MM	1	ZST
5	6.286-058.0	Adhesiv tape PE 50mm x 66 m transparen	1,6	m



208

25 Valve pin complete (4.584-022.0)

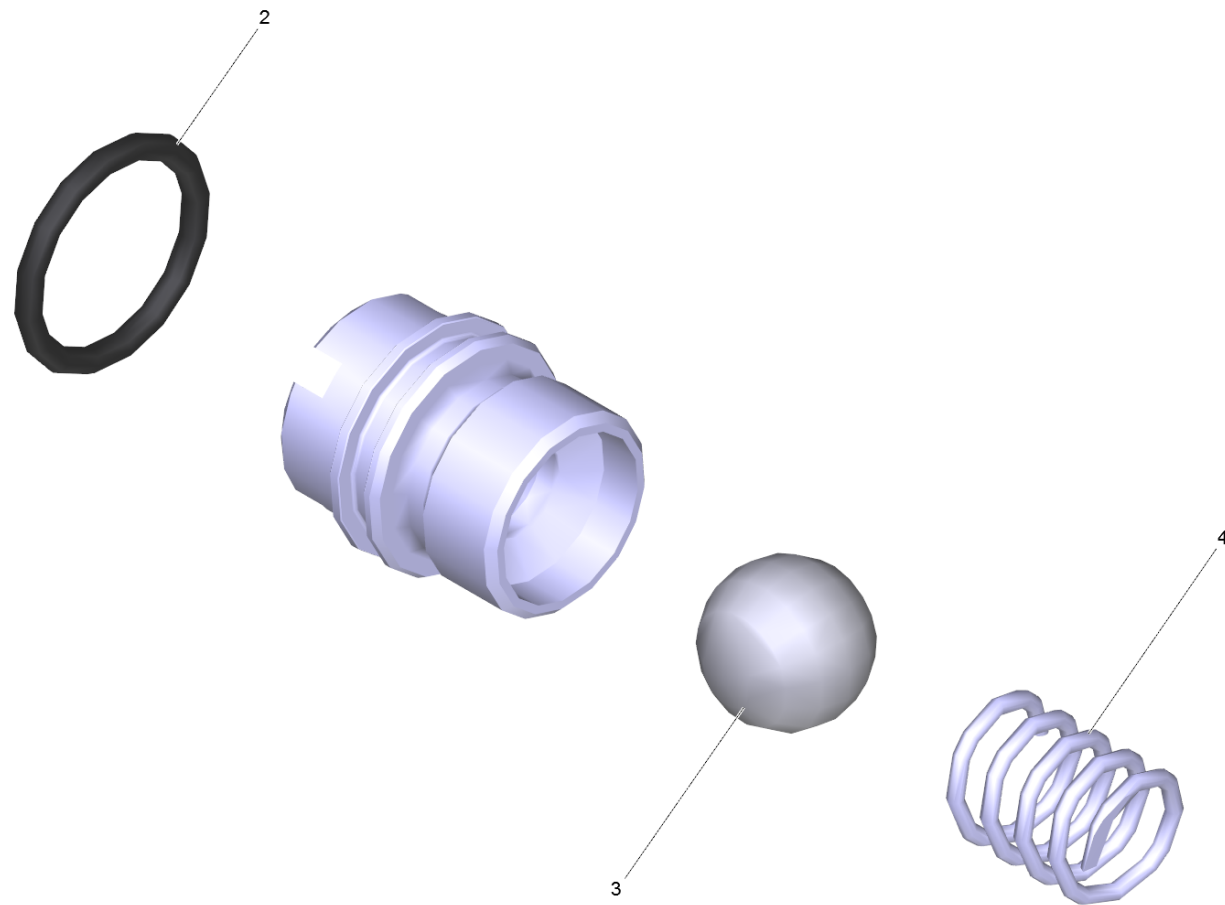
---

<b>POS</b>	<b>Article no.</b>	<b>Description</b>	<b>Quantity</b>	<b>Unit</b>
208	6.363-613.0	O-Ring seal 4 x 2 -NBR90	1	PC

## 27 Nozzle insert complete (4.769-052.0)

---

<b>POS</b>	<b>Article no.</b>	<b>Description</b>	<b>Quantity</b>	<b>Unit</b>
1	5.769-087.0	Nozzle insert black PVDF	1	PC
2	6.363-331.0	O-Ring seal 9,0 x 1,5	2	PC
3	6.590-004.0	Bag PE 80x100 mm	1	PC
4	6.376-036.0	Label spare parts neutrally 65x55 MM	1	ZST



28 Valve seat complete (4.481-226.0)

---

<b>POS</b>	<b>Article no.</b>	<b>Description</b>	<b>Quantity</b>	<b>Unit</b>
2	6.362-858.0	O-Ring seal 11,0 X 1,5	1	PC
3	7.401-907.0	Sphere 3/8 G200-1.4301 DIN 5401	1	PC
4	5.332-999.0	Helical spring	1	PC

## 32 Spare part set (2.884-551.0)

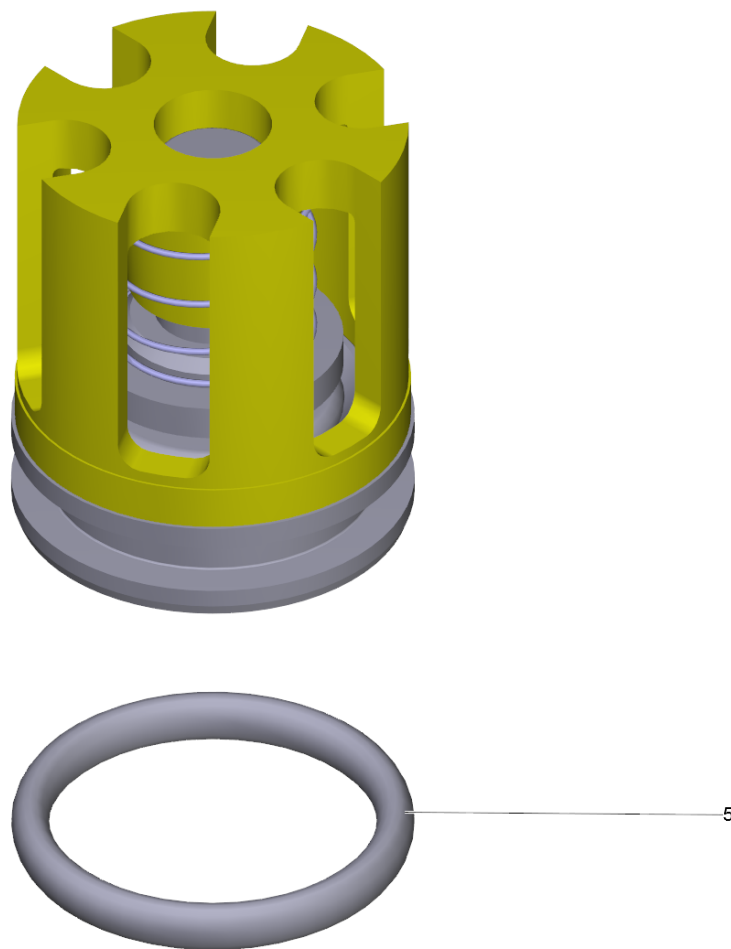
---

<b>POS</b>	<b>Article no.</b>	<b>Description</b>	<b>Quantity</b>	<b>Unit</b>
44	6.362-365.0	O-Ring seal complete 1ST.-R.- 7,65X 1,7	1	PC
46	6.362-445.0	O-Ring seal 16,0 X 2,4-NBR 80	1	PC
47	6.362-575.0	O-Ring seal 12,42 KOMPL	1	PC
71	7.311-510.0	Hexagon nut M 8-8-A2E ISO 7040	1	PC
101	6.376-036.0	Label spare parts neutrally 65x55 MM	2	ZST

### 33 Spare part set overflow valve (2.884-550.0)

POS	Article no.	Description	Quantity	Unit
7	5.112-757.0	Bush	1	PC
16	5.332-530.0	Helical spring	1	PC
44	6.362-365.0	O-Ring seal complete 1ST.-R.- 7,65X 1,7	1	PC
46	6.362-445.0	O-Ring seal 16,0 X 2,4-NBR 80	1	PC
47	6.362-575.0	O-Ring seal 12,42 KOMPL	1	PC
71	7.311-510.0	Hexagon nut M 8-8-A2E ISO 7040	1	PC
145		Grease	0,01	g
151	6.376-036.0	Label spare parts neutrally 65x55 MM	2	ZST





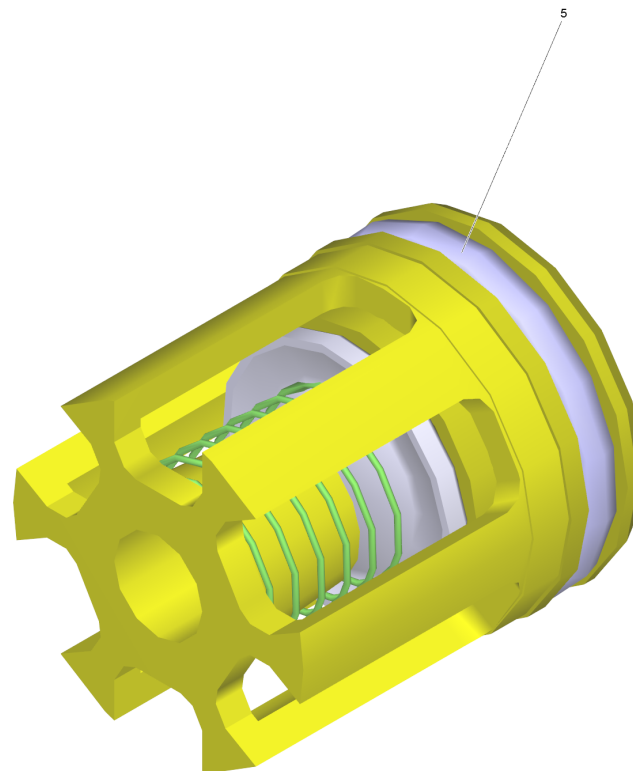
37 Valve complete (4.580-594.0)

---

POS	Article no.	Description	Quantity	Unit
5	6.362-381.0	O-Ring seal 13x2 - NBR 70	1	PC

100 Spare parts set pump high-pressure 7/18 (2.884-883.0)

POS	Article no.	Description	Quantity	Unit
1	6.362-388.0	O-Ring seal 8,0x1,5 -EPDM 70	1	PC
2	6.362-547.0	O-Ring seal 20,0x1,5-NBR 70	3	PC
3	2.884-512.0	Valve (3 Stueck)	2	PC
4	5.112-340.3	Bush	3	PC
5	6.365-332.0	Compact seal 18x28x5,8	3	PC
6	5.115-431.0	Washer	3	PC
7	6.362-406.0	O-Ring seal 33,05X 1,78-NBR 70	3	PC
8	5.115-432.0	Washer	3	PC
9	6.365-333.0	Grooved ring 18X26X5,4	3	PC
10	6.288-072.0	Silicon grease	1	PC
12	6.376-036.0	Label spare parts neutrally 65x55 MM	2	ZST
13	6.590-002.0	Bag PE 150x230 mm	2	PC

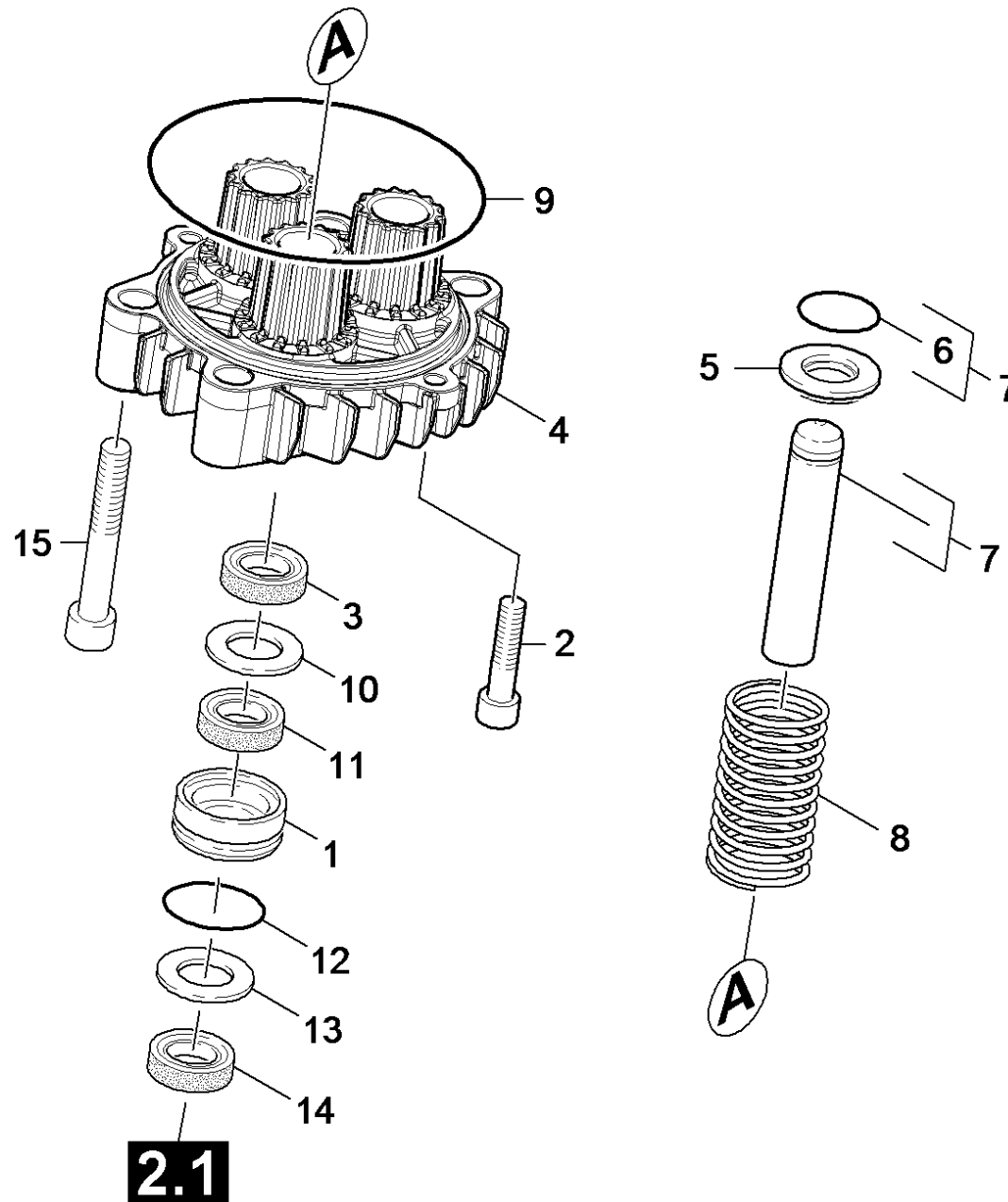


3 Valve (3 Stueck) (2.884-512.0)

---

POS	Article no.	Description	Quantity	Unit
5	6.363-003.0	O-Ring seal 13,0 X 2,0-NBR 90	1	PC

---



## 23 Thrust guidance

POS	Article no.	Description	Quantity	Unit
1	5.112-340.3	Bush	3	PC
2	7.306-094.0	Screw M6x25 -8.8-R3R (In6Rd)	2	PC
3	6.365-334.0	Grooved ring 18X26X6/8	3	PC
4	4.061-017.0	Housing -nur für Ersatz-	1	PC
5	5.116-134.0	Washer	3	PC
6	7.343-473.0	Snap ring 18 -FST DIN 9925	3	PC
7	4.553-245.0	Spare part set piston complete	3	PC
8	5.332-529.0	Helical spring	3	PC
9	6.362-102.0	O-Ring seal 90,0 X 3,0	1	PC
	<b>Item text1:</b> 1.524-201.0/-208.0/-210/-211.0/-225.0/			
	<b>Item text2:</b> -914.0			
9	6.362-963.0	O-Ring seal 88,57X 2,62	1	PC
	<b>Item text1:</b> 1.524-220.0/-222.0/-223/-910.0/-912.0/			
	<b>Item text2:</b> -913.0			
10	5.115-432.0	Washer	3	PC
11	6.365-332.0	Compact seal 18x28x5,8	3	PC
12	6.362-406.0	O-Ring seal 33,05X 1,78-NBR 70	3	PC
13	5.115-431.0	Washer	3	PC
14	6.365-333.0	Grooved ring 18X26X5,4	3	PC
15	7.306-807.0	Cylinder head screw M10x85-8.8-A3E ISO4	4	PC
100	2.885-020.0	Pump set for piston HD 7/18 M	1	PC

7 Spare part set piston complete (4.553-245.0)

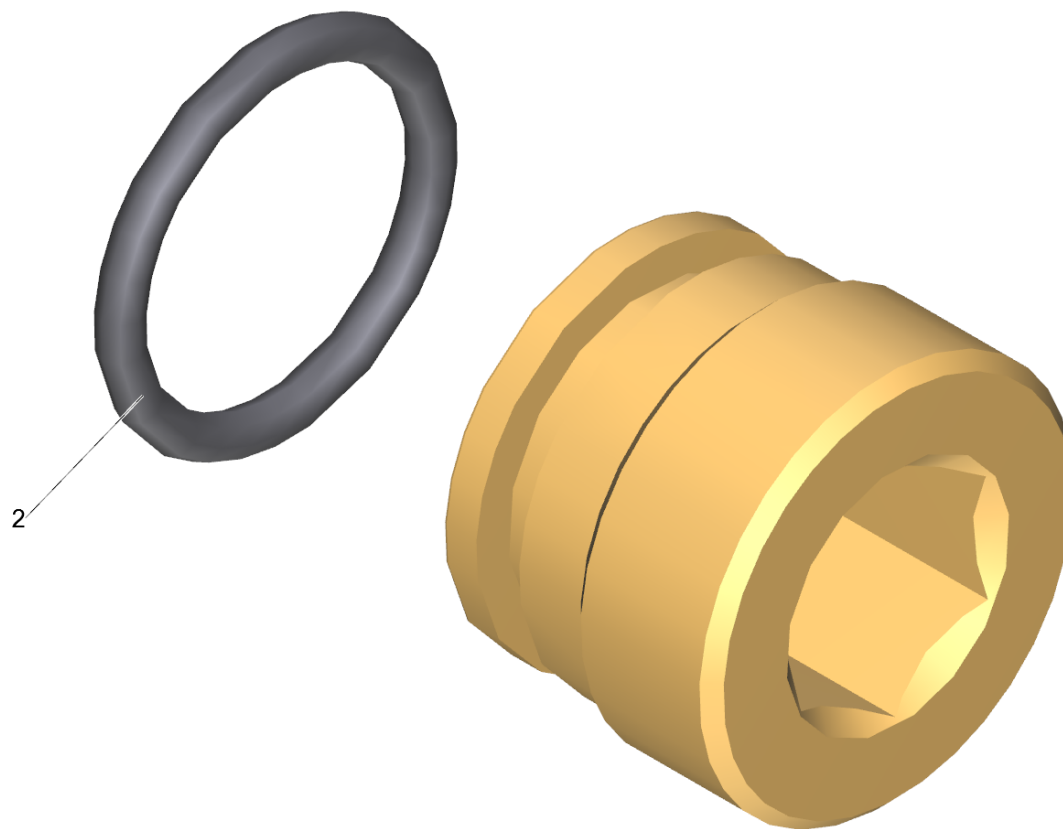
---

<b>POS</b>	<b>Article no.</b>	<b>Description</b>	<b>Quantity</b>	<b>Unit</b>
2	7.343-473.0	Snap ring 18 -FST DIN 9925	1	PC
3	6.591-051.0	Sliding collar 20	1	PC



100 Pump set for piston HD 7/18 M (2.885-020.0)

POS	Article no.	Description	Quantity	Unit
1	6.365-332.0	Compact seal 18x28x5,8	3	PC
2	5.115-432.0	Washer	3	PC
3	5.115-431.0	Washer	3	PC
5	6.288-072.0	Silicon grease	1	PC
6	6.362-388.0	O-Ring seal 8,0x1,5 -EPDM 70	1	PC
9	6.365-334.0	Grooved ring 18X26X6/8	3	PC
10	6.365-333.0	Grooved ring 18X26X5,4	6	PC
11	6.590-002.0	Bag PE 150x230 mm	2	PC
13	6.376-036.0	Label spare parts neutrally 65x55 MM	2	ZST
14	4.483-001.0	Valve screw	4	PC
16	6.362-547.0	O-Ring seal 20,0x1,5-NBR 70	3	PC
17	5.112-340.3	Bush	3	PC
18	4.580-295.0	Valve complete	6	PC



14 Valve screw (4.483-001.0)

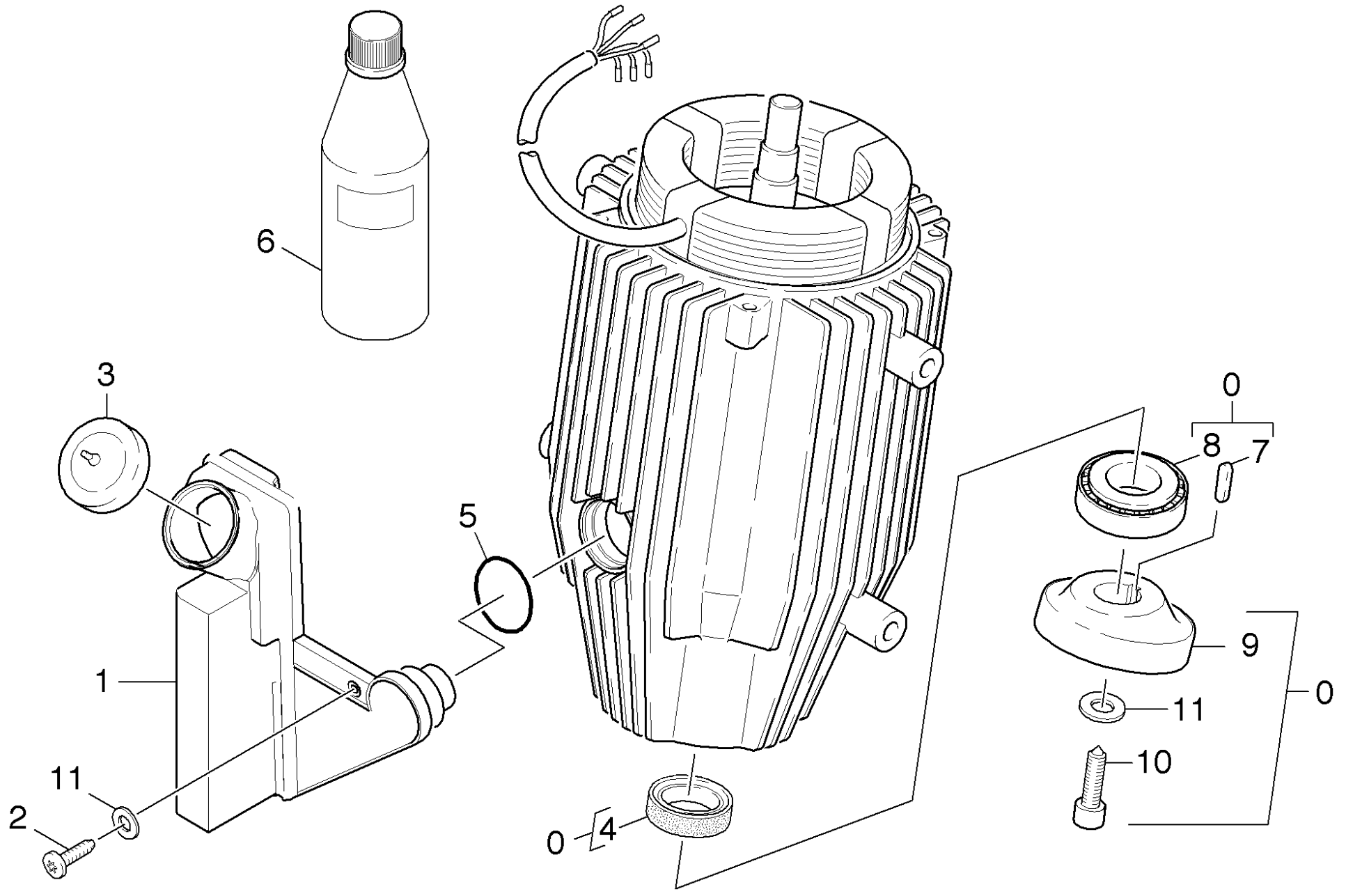
---

POS	Article no.	Description	Quantity	Unit
2	6.362-481.0	O-Ring seal 14,0 x 2,0 NBR 80	1	PC

## 30 Motor

---

<b>POS</b>	<b>Description</b>	<b>Quantity</b>	<b>Unit</b>
31	Transmission	1	PC
32	Ventilation	1	PC



### 31 Transmission

POS	Article no.	Description	Quantity	Unit
0	4.623-711.0	Motor complete	1	PC
	<b>Item text1:</b> 1.524-200.0 / -201.0 / -207.0 /-208.0			
	<b>Item text2:</b> /-211.0			
0	4.623-781.0	Motor complete for replacement	1	PC
	<b>Item text1:</b> 1.524-210.0			
1	5.070-658.0	Tank oil	1	PC
2	6.303-320.0	Screw M 5x 20-St-R2R	1	PC
3	5.064-457.0	Cover plate qusty grey oil	1	PC
4	7.367-156.0	Radial shaft seal ring A30x40x7-NBR DIN	1	PC
5	6.362-722.0	O-Ring seal 28,0 X 3,0	1	PC
6	6.288-016.0	Gear oil 1L	1	PC
7	7.318-070.0	Parallel key 5x5x20-C45K DIN 6885-1	1	PC
8	6.401-399.0	Taper roller bearing	1	PC
9	4.120-215.0	Wobble plate	1	PC
10	7.306-092.0	Screw M6x20-ST- 8.8-R3R (IN6RD)	2	PC
11	7.312-260.0	Washer 6 -100HV-A3E ISO 7094	2	PC

Motor complete (4.623-711.0)

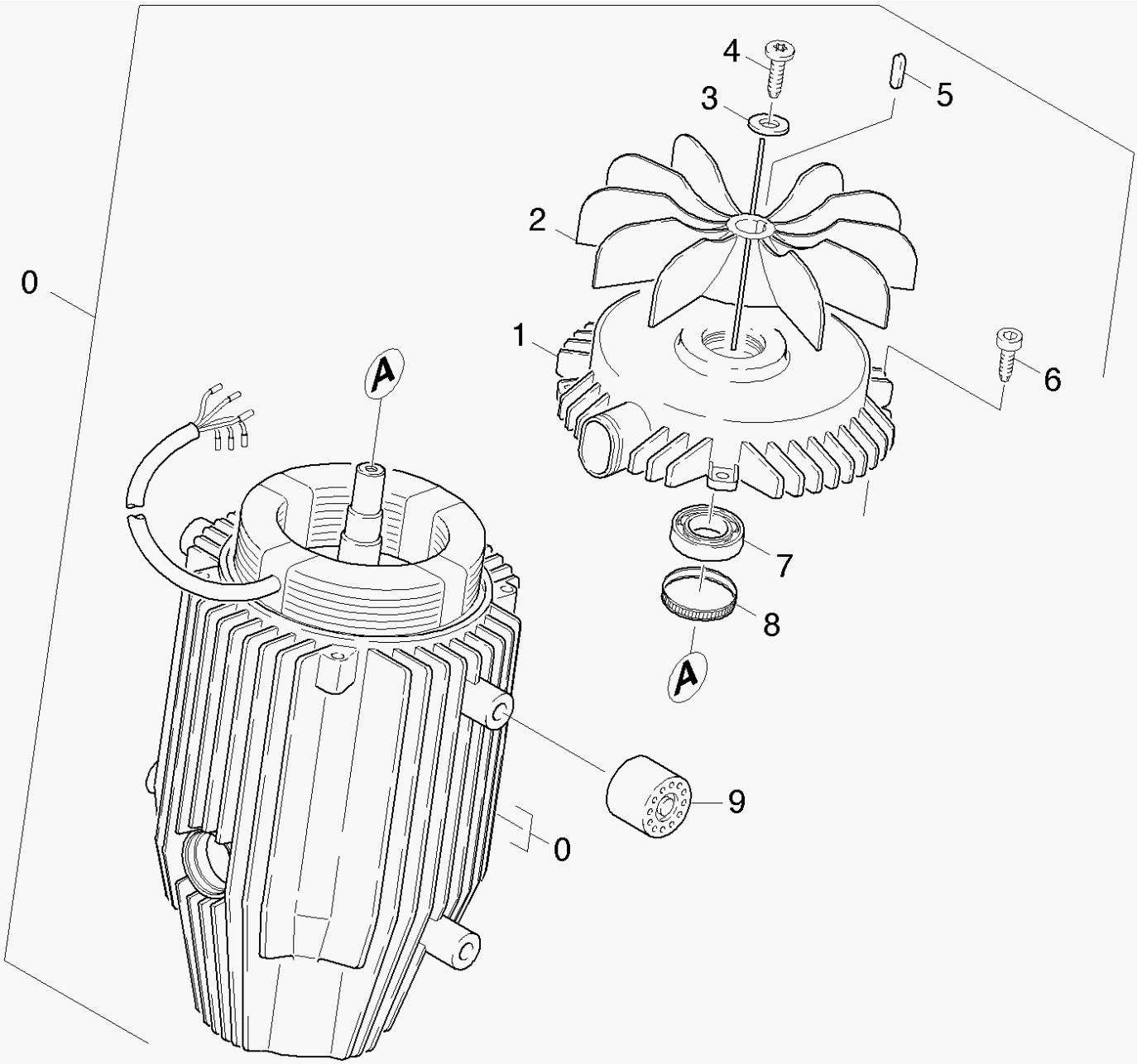
POS	Article no.	Description	Quantity	Unit
2	5.063-707.0	Bearing cover B	1	PC
5		Rating plate 20x60	1	PC
6		Piece of tube	1	PC
8	5.600-046.0	Blower wheel	1	PC
10	6.303-265.0	Self-tapping screw M6x20	4	PC
11	6.343-171.0	Tolerance ring	1	PC
15	7.306-092.0	Screw M6x20-ST- 8.8-R3R (IN6RD)	2	PC
16	7.312-260.0	Washer 6 -100HV-A3E ISO 7094	2	PC
18	7.313-003.0	Spring washer B 6-FSt-A3E DIN 127	1	PC
19	7.318-070.0	Parallel key 5x5x20-C45K DIN 6885-1	1	PC
20	7.318-079.0	Parallel key A 5x5x25-C45K DIN 6885	1	PC
21	7.367-156.0	Radial shaft seal ring A30x40x7-NBR DIN	1	PC
23		Taper roller bearing 31305	1	PC
24		Deep groove ball thrust bearing	1	PC
25	6.401-285.0	Ball bearing 6204 2RS	1	PC
27	6.288-048.0	Engine oil 15W/40 Tanklasterware	1	l
28	6.591-014.0	Carton 484x284x340 mm N -1c	1	PC
29	6.591-114.0	Paper cushion	4	m
30		Staples RA 3/4	16	PC
31	6.376-036.0	Label spare parts neutrally 65x55 MM	1	ZST
32		Wooden pallet EURO	0,083	ZST

6 Piece of tube

---

<b>POS</b>	<b>Article no.</b>	<b>Description</b>	<b>Quantity</b>	<b>Unit</b>
1	6.642-043.0	Insulating hose 10	0,09	m
1	6.642-043.0	Insulating hose 10	0,09	m





## 32 Ventilation

POS	Article no.	Description	Quantity	Unit
0	4.623-711.0	Motor complete	1	PC
	<b>Item text1:</b> 1.524-200.0 / -201.0 / -207.0 /-208.0			
	<b>Item text2:</b> /-211.0			
0	4.623-781.0	Motor complete for replacement	1	PC
	<b>Item text1:</b> 1.524-210.0			
1	5.063-707.0	Bearing cover B	1	PC
2	5.600-046.0	Blower wheel	1	PC
3	7.312-260.0	Washer 6 -100HV-A3E ISO 7094	2	PC
4	7.306-092.0	Screw M6x20-ST- 8.8-R3R (IN6RD)	2	PC
5	7.318-079.0	Parallel key A 5x5x25-C45K DIN 6885	1	PC
6	6.303-265.0	Self-tapping screw M6x20	4	PC
7	6.401-285.0	Ball bearing 6204 2RS	1	PC
8	6.343-171.0	Tolerance ring	1	PC
9	5.767-005.0	Rubber buffer	4	PC

Motor complete (4.623-711.0)

POS	Article no.	Description	Quantity	Unit
2	5.063-707.0	Bearing cover B	1	PC
5		Rating plate 20x60	1	PC
6		Piece of tube	1	PC
8	5.600-046.0	Blower wheel	1	PC
10	6.303-265.0	Self-tapping screw M6x20	4	PC
11	6.343-171.0	Tolerance ring	1	PC
15	7.306-092.0	Screw M6x20-ST- 8.8-R3R (IN6RD)	2	PC
16	7.312-260.0	Washer 6 -100HV-A3E ISO 7094	2	PC
18	7.313-003.0	Spring washer B 6-FSt-A3E DIN 127	1	PC
19	7.318-070.0	Parallel key 5x5x20-C45K DIN 6885-1	1	PC
20	7.318-079.0	Parallel key A 5x5x25-C45K DIN 6885	1	PC
21	7.367-156.0	Radial shaft seal ring A30x40x7-NBR DIN	1	PC
23		Taper roller bearing 31305	1	PC
24		Deep groove ball thrust bearing	1	PC
25	6.401-285.0	Ball bearing 6204 2RS	1	PC
27	6.288-048.0	Engine oil 15W/40 Tanklasterware	1	l
28	6.591-014.0	Carton 484x284x340 mm N -1c	1	PC
29	6.591-114.0	Paper cushion	4	m
30		Staples RA 3/4	16	PC
31	6.376-036.0	Label spare parts neutrally 65x55 MM	1	ZST
32		Wooden pallet EURO	0,083	ZST

6 Piece of tube

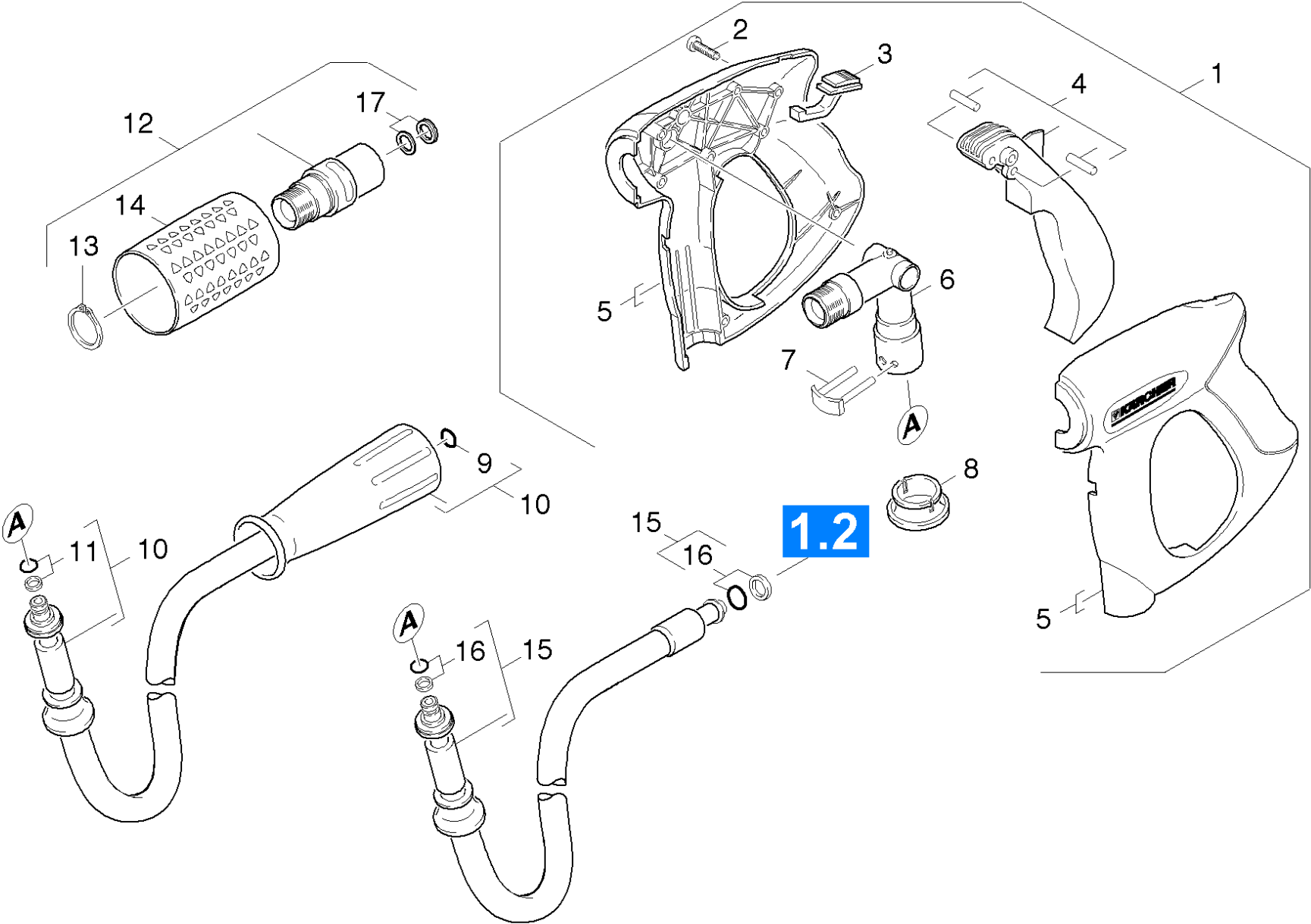
---

<b>POS</b>	<b>Article no.</b>	<b>Description</b>	<b>Quantity</b>	<b>Unit</b>
1	6.642-043.0	Insulating hose 10	0,09	m
1	6.642-043.0	Insulating hose 10	0,09	m

## 40 Accessories

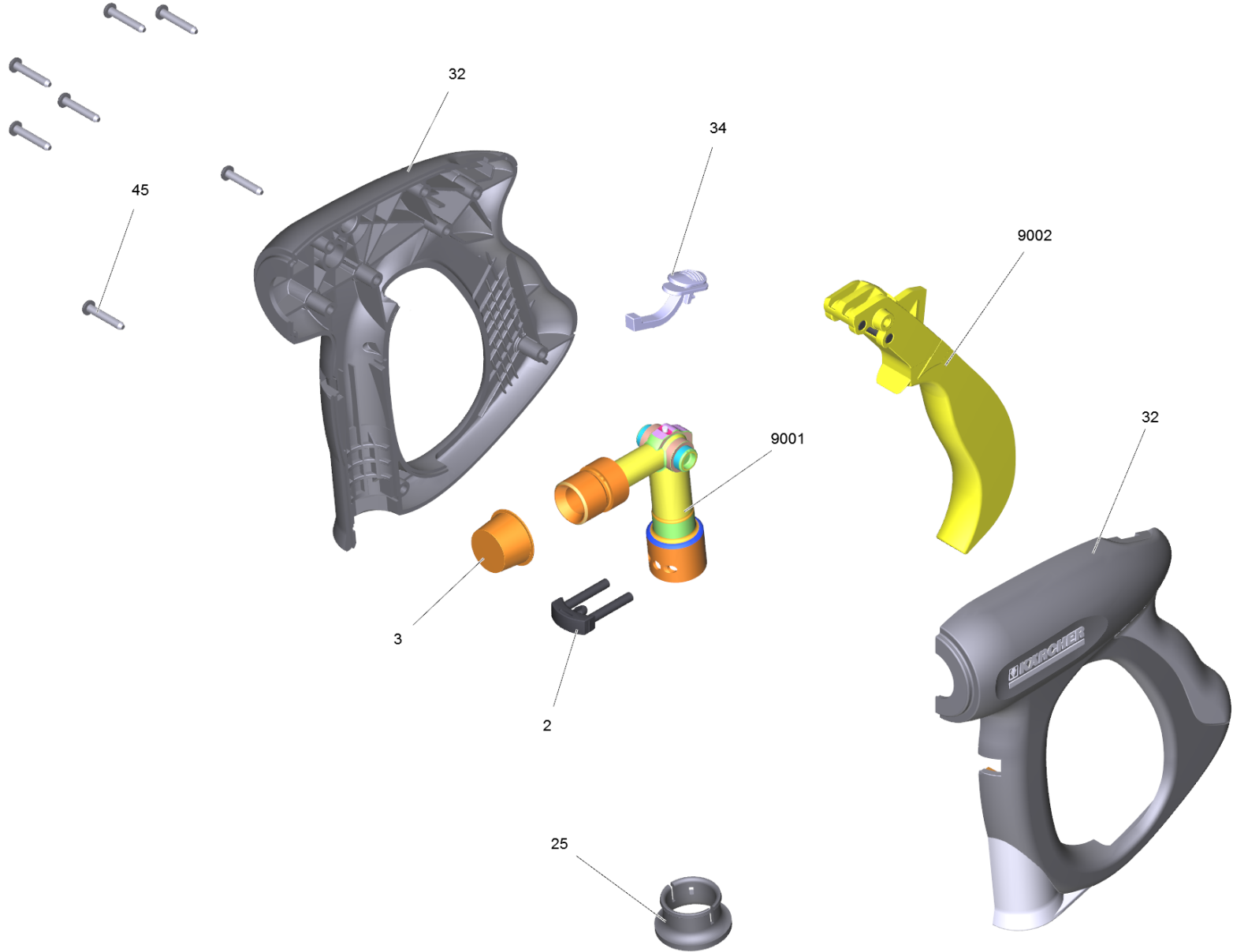
---

POS	Description	Quantity	Unit	Remark
41	Hand trigger gun	1	PC	
42	Hand trigger gun	1	PC	
43	Jet pipe	1	PC	
44	Nozzle	1	PC	VERSION 1
45	Nozzle	1	PC	VERSION 2
46	Screw union	1	PC	



## 41 Hand trigger gun

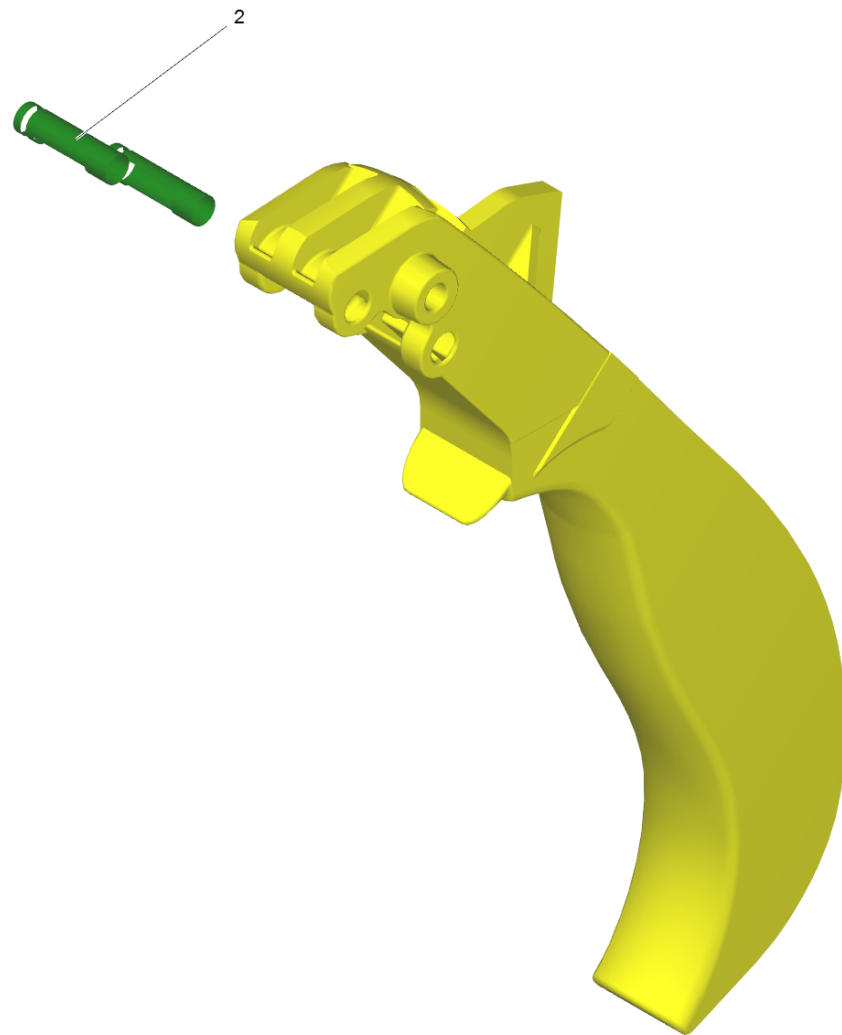
POS	Article no.	Description	Quantity	Unit
1	4.775-463.0	HAND TRIGGER GUN EASY PRESS	1	PC
2	7.303-096.0	Screw 4x22 -ST-10.9-R2R (IN6RD)	7	PC
3	5.481-331.0	Slider	1	PC
4	4.481-209.0	Lever complete	1	PC
5	5.321-669.3	Handhold few	1	PC
6	4.427-215.0	Manifold complete only for replacement	1	PC
7	4.037-013.0	Hook	1	PC
8	5.110-596.0	Sleeve	1	PC
9	2.880-990.0	Spare part set O-Ring 5x -Kaercher	1	PC
10	6.391-238.0	Hose assembly standard DN6 25MPa 10m	1	PC
	<b>Item text1:</b> 1.524-200.0 / -207.0 / -208.0			
11	4.363-691.0	O-Ring seal kpl. -nur fuer Ersatz-	2	PC
12	4.775-526.0	Rotary controller 270 l	1	PC
13	7.343-008.0	Locking ring 25x1,2-St-vz DIN 471	1	PC
14	5.321-668.0	Handle	1	PC
15	6.391-417.0	Hose assembly standard DN6 25MPa 15m	1	PC
	<b>Item text1:</b> 1.524-201.0 / -210.0 / -211.0			
16	4.363-691.0	O-Ring seal kpl. -nur fuer Ersatz-	2	PC
17	2.880-001.0	Spare part set seals TR	1	PC





## 1 HAND TRIGGER GUN EASY PRESS (4.775-463.0)

POS	Article no.	Description	Quantity	Unit
2	4.037-013.0	Hook	1	PC
3	6.368-012.0	Protecting cap 22X1,5	1	PC
4	6.869-075.0	Metal bonding agent 1,5 ml	1	PC
<b>cart_info_txt:</b> This material is not available due to hazardous good regulation. Please procure this or a similar material from a local supplier of your choice.				
25	5.110-596.0	Sleeve	1	PC
32	5.321-669.3	Handhold few	1	PC
34	5.481-331.0	Slider	1	PC
45	7.303-096.0	Screw 4x22 -ST-10.9-R2R (IN6RD)	7	PC
1041	6.288-044.0	Silicon grease 100 G	1	PC
9001	4.427-215.0	Manifold complete only for replacement	1	PC
9002	4.481-209.0	Lever complete	1	PC

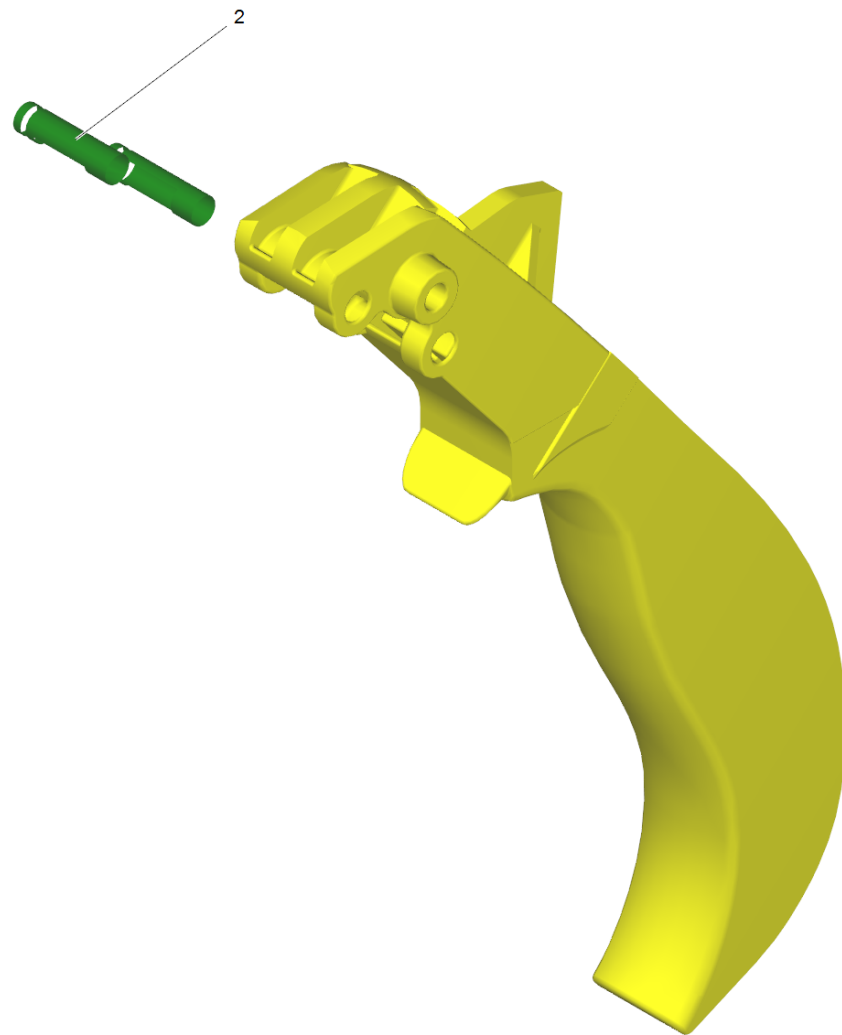


9002 Lever complete (4.481-209.0)

---

POS	Article no.	Description	Quantity	Unit
2	5.314-119.0	Pin	2	PC

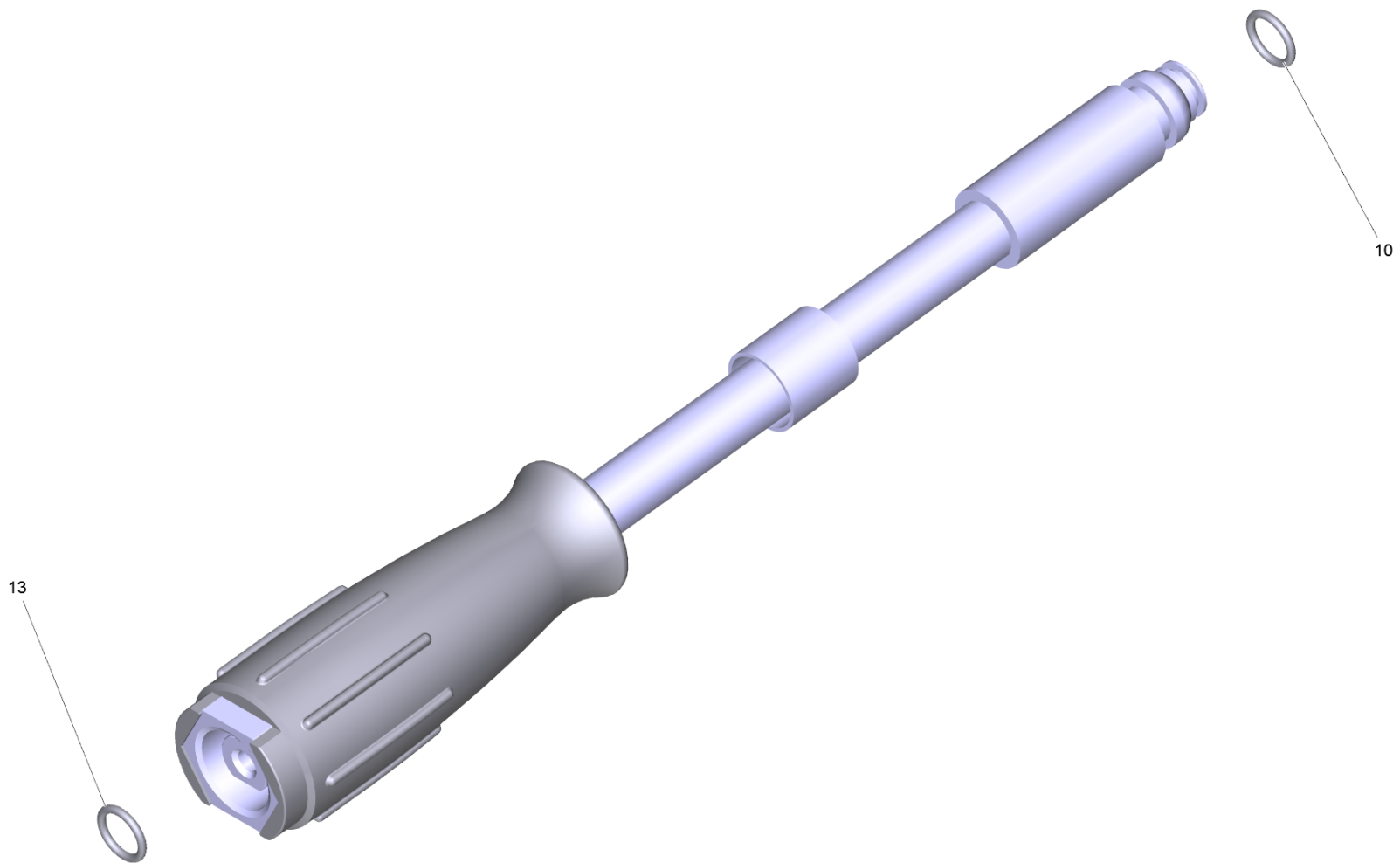
---



4 Lever complete (4.481-209.0)

---

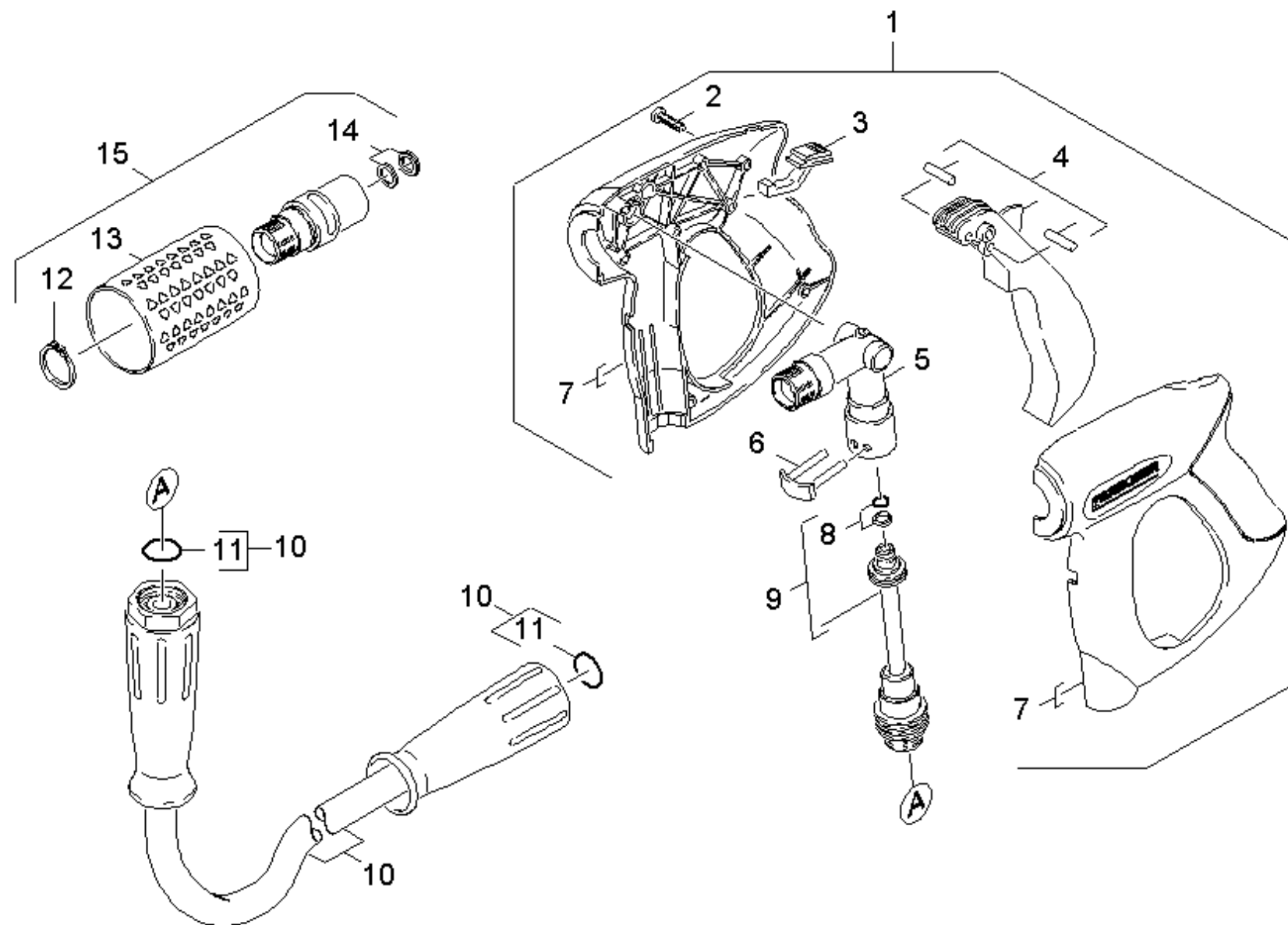
POS	Article no.	Description	Quantity	Unit
2	5.314-119.0	Pin	2	PC



10 Hose assembly standard DN6 25MPa 10m (6.391-238.0)

---

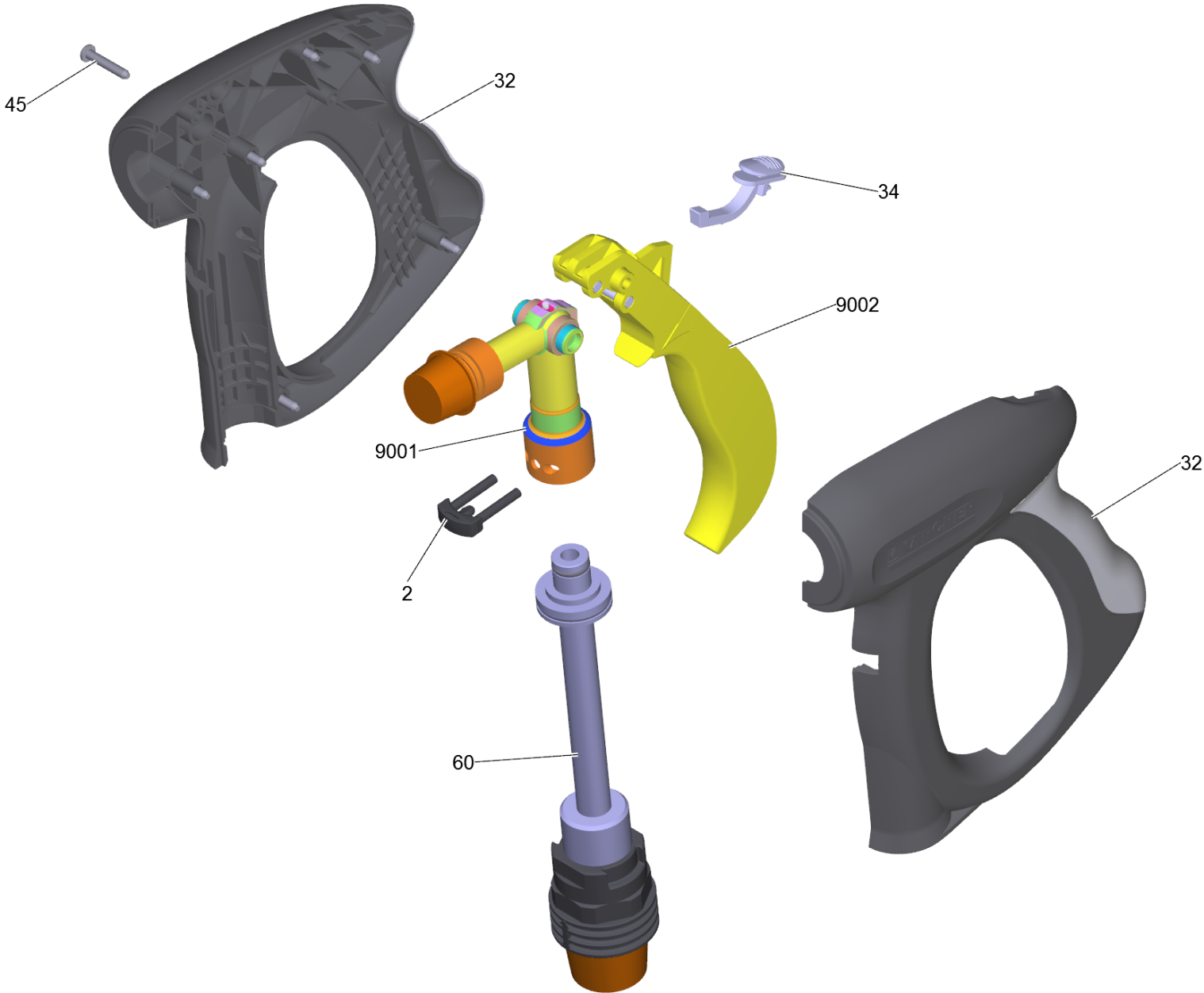
<b>POS</b>	<b>Article no.</b>	<b>Description</b>	<b>Quantity</b>	<b>Unit</b>
10	4.363-691.0	O-Ring seal kpl. -nur fuer Ersatz-	1	PC
13	2.880-990.0	Spare part set O-Ring 5x -Kaercher	1	PC





## 42 Hand trigger gun

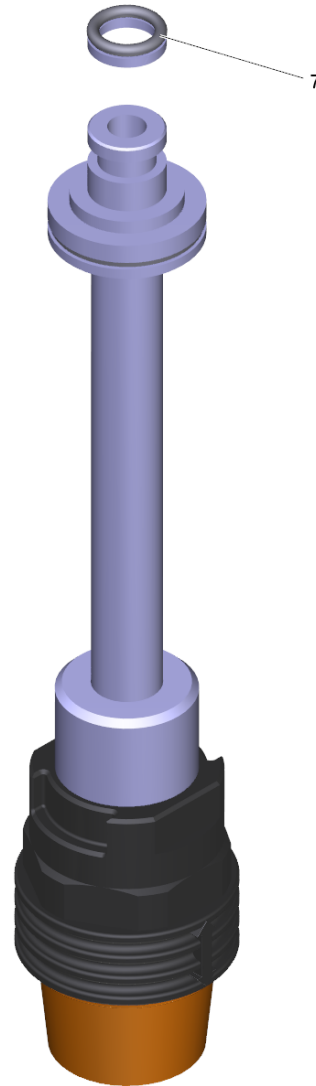
POS	Article no.	Description	Quantity	Unit	Remark
1	4.775-466.0	Hand trigger gun	1	PC	VERSION 2
	<b>Item text1:</b> 1.524-207.0				
2	7.303-096.0	Screw 4x22 -ST-10.9-R2R (IN6RD)	7	PC	
3	5.481-331.0	Slider	1	PC	
4	4.481-209.0	Lever complete	1	PC	
5	4.427-215.0	Manifold complete only for replacement	1	PC	
6	4.037-013.0	Hook	1	PC	
7	5.321-669.3	Handhold few	1	PC	
8	4.363-691.0	O-Ring seal kpl. -nur fuer Ersatz-	1	PC	
9	4.421-739.3	Adapter pipelines AVS-M22x1,5	1	PC	
10	6.391-342.0	Hose assembly only for replacement DN8 3	1	PC	VERSION 2
	<b>Item text1:</b> 1.524-207.0				
11	2.880-990.0	Spare part set O-Ring 5x -Kaercher	1	PC	
12	7.343-008.0	Locking ring 25x1,2-St-vz DIN 471	1	PC	
13	5.321-668.0	Handle	1	PC	
14	2.880-001.0	Spare part set seals TR	1	PC	
15	4.775-526.0	Rotary controller 270 I	1	PC	



## 1 Hand trigger gun (4.775-466.0)

---

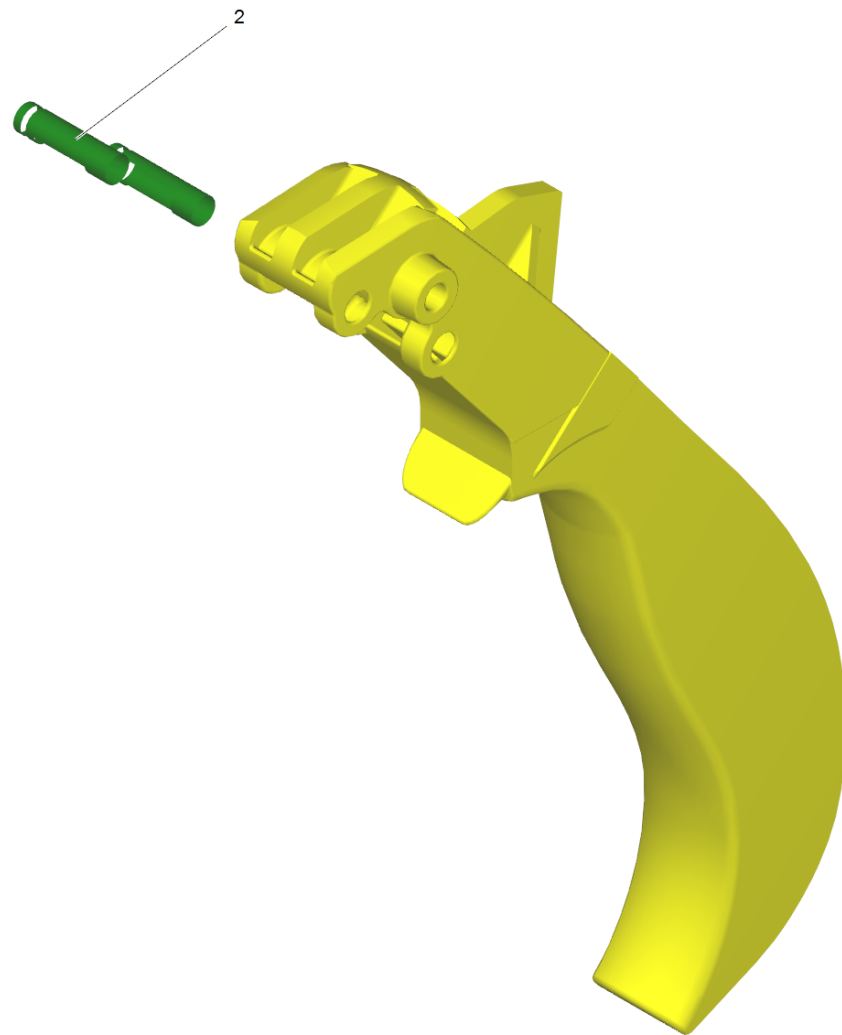
<b>POS</b>	<b>Article no.</b>	<b>Description</b>	<b>Quantity</b>	<b>Unit</b>
2	4.037-013.0	Hook	1	PC
32	5.321-669.3	Handhold few	1	PC
34	5.481-331.0	Slider	1	PC
45	7.303-096.0	Screw 4x22 -ST-10.9-R2R (IN6RD)	7	PC
60	4.421-739.3	Adapter pipelines AVS-M22x1,5	1	PC
9001	4.427-215.0	Manifold complete only for replacement	1	PC
9002	4.481-209.0	Lever complete	1	PC



60 Adapter pipelines AVS-M22x1,5 (4.421-739.3)

---

<b>POS</b>	<b>Article no.</b>	<b>Description</b>	<b>Quantity</b>	<b>Unit</b>
7	4.363-691.0	O-Ring seal kpl. -nur fuer Ersatz-	1	PC

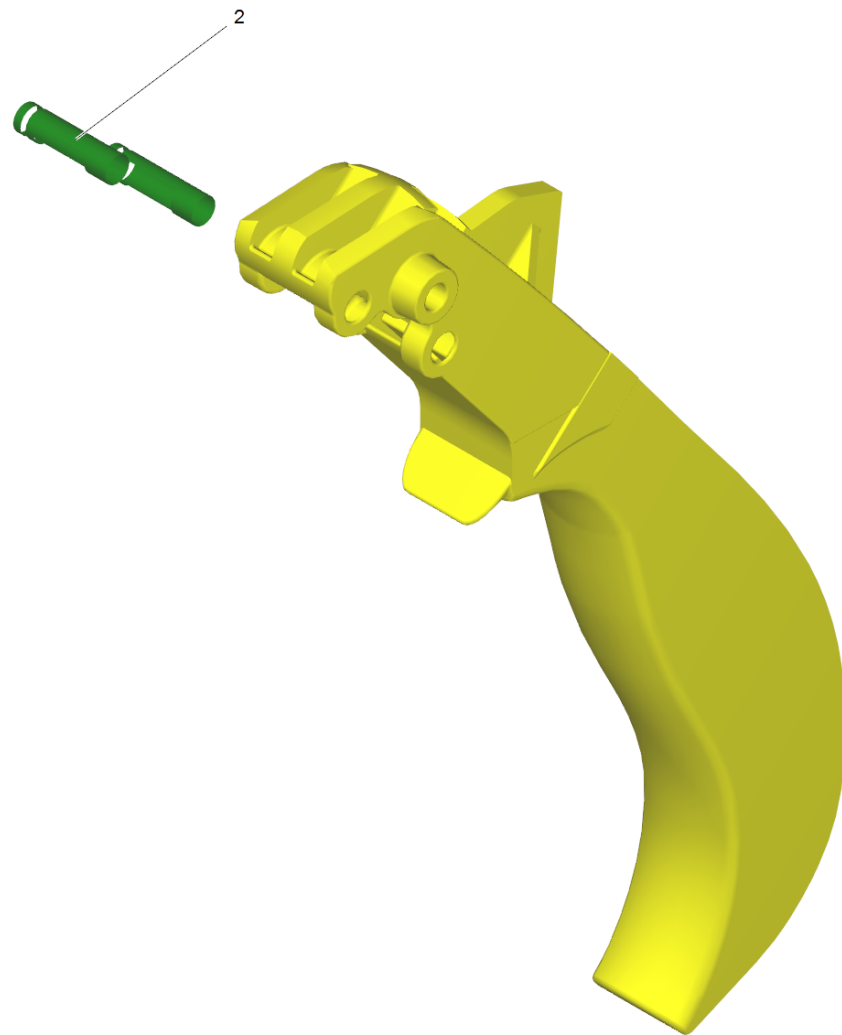


9002 Lever complete (4.481-209.0)

---

<b>POS</b>	<b>Article no.</b>	<b>Description</b>	<b>Quantity</b>	<b>Unit</b>
2	5.314-119.0	Pin	2	PC

---



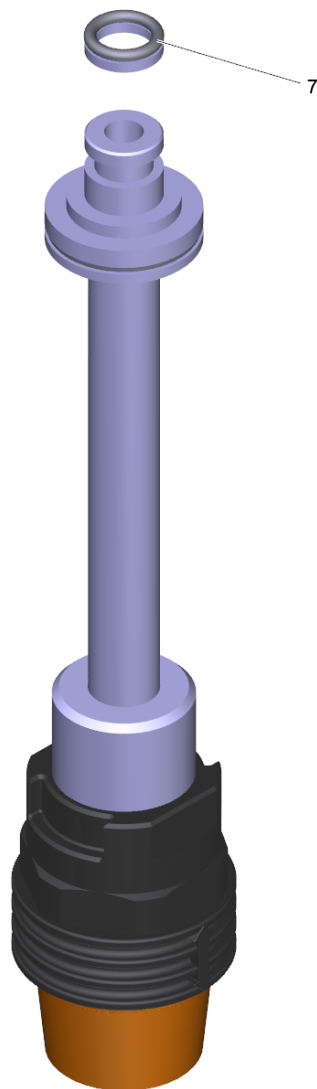


4 Lever complete (4.481-209.0)

---

POS	Article no.	Description	Quantity	Unit
2	5.314-119.0	Pin	2	PC

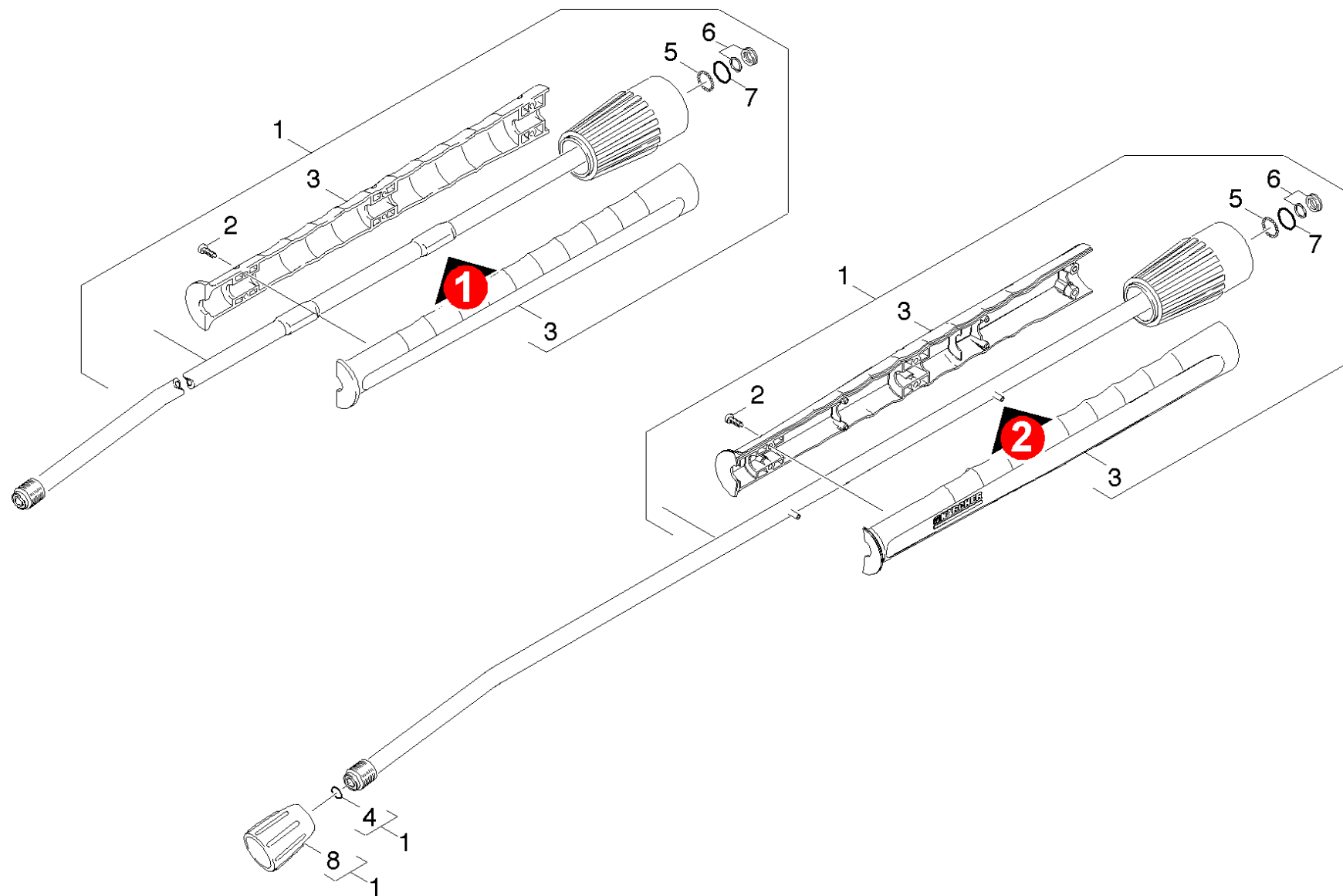
---



9 Adapter pipelines AVS-M22x1,5 (4.421-739.3)

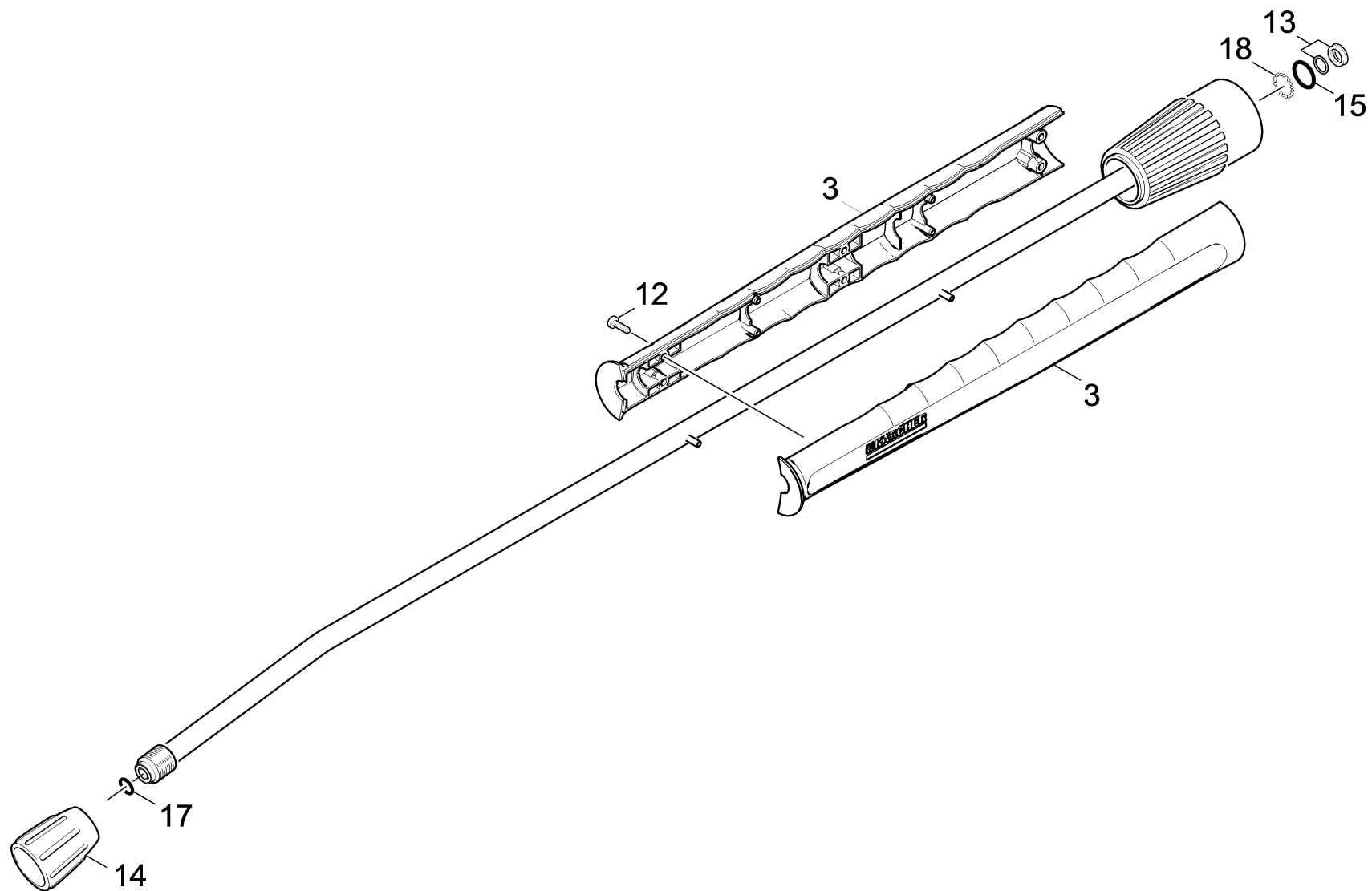
---

POS	Article no.	Description	Quantity	Unit
7	4.363-691.0	O-Ring seal kpl. -nur fuer Ersatz-	1	PC



## 43 Jet pipe

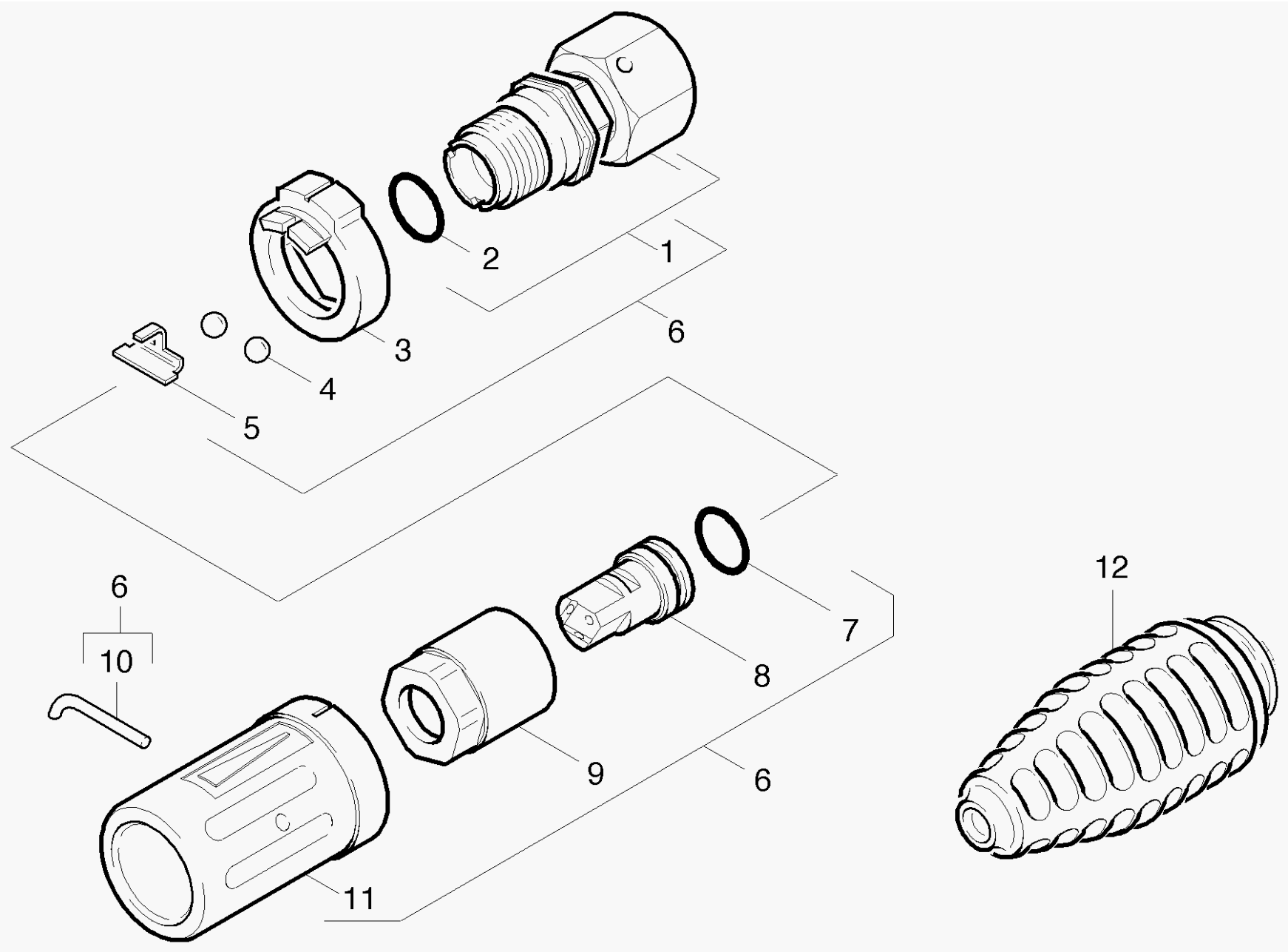
POS	Article no.	Description	Quantity	Unit	Remark
1	4.760-660.0	Jet pipe packaged only for replacement	1	PC	
2	7.303-129.0	Screw 4x16 -10.9-R2R (K-In6Rd)	6	PC	
3	5.321-691.0	Handhold few jet pipe	1	PC	VERSION 1
3	5.321-855.0	Handhold few jet pipe with welding bolt	1	PC	VERSION 2
4	2.880-990.0	Spare part set O-Ring 5x -Kaercher	1	PC	
5	7.401-915.0	Sphere 2,5 G40 -1.4034 DIN 5401	20	PC	
6	4.363-692.0	Grooved ring kpl. -nur fuer Ersatz-	1	PC	
7	6.362-524.0	O-Ring seal 17,0 X 1,5	1	PC	
8	5.401-129.0	Screw connector part	1	PC	



1 Jet pipe packaged only for replacement (4.760-660.0)

---

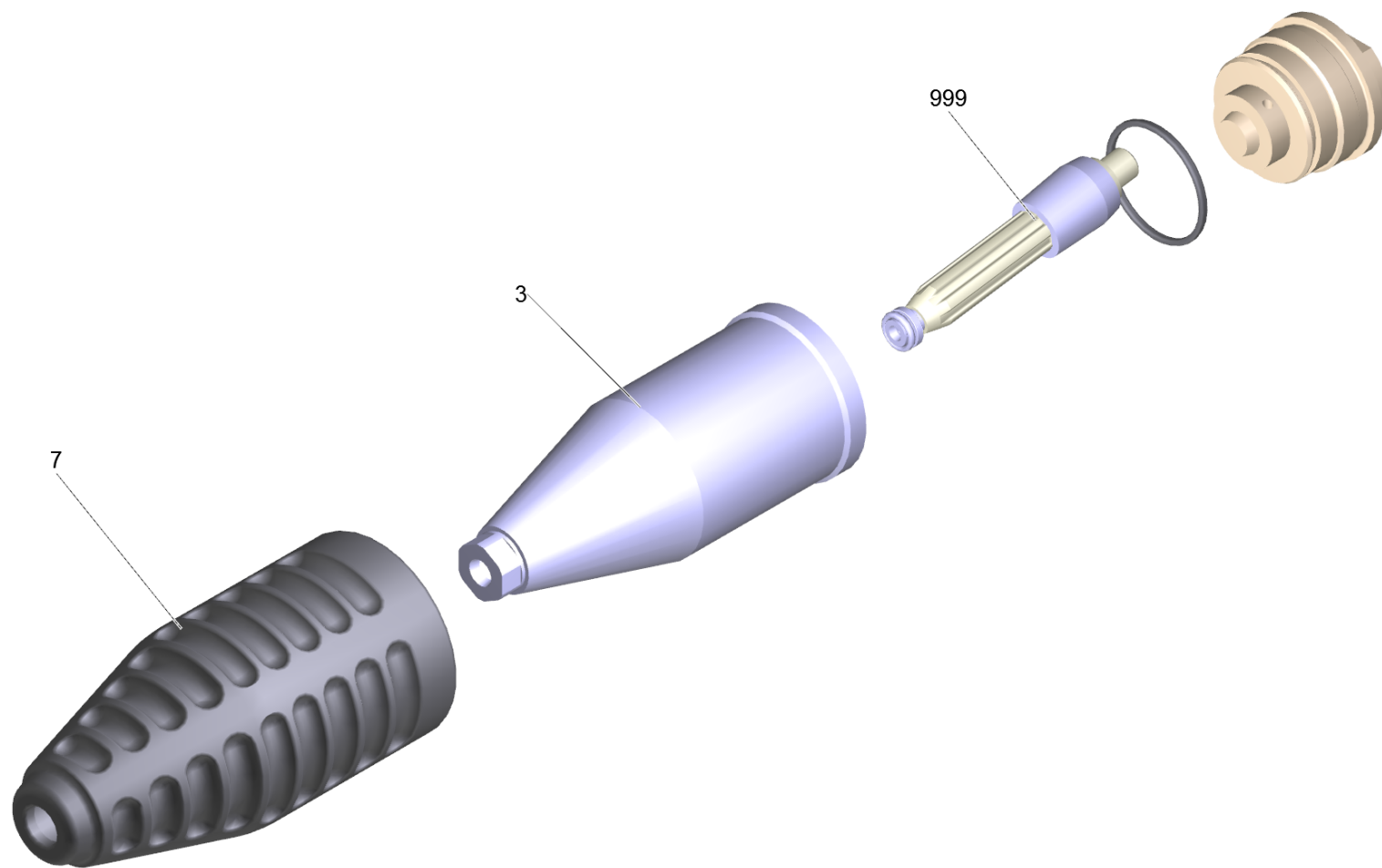
POS	Article no.	Description	Quantity	Unit
3	5.321-855.0	Handhold few jet pipe with welding bolt	1	PC
12	7.303-129.0	Screw 4x16 -10.9-R2R (K-In6Rd)	6	PC
13	4.363-692.0	Grooved ring kpl. -nur fuer Ersatz-	1	PC
14	5.401-210.0	Screw connector part	1	PC
15	6.362-524.0	O-Ring seal 17,0 X 1,5	1	PC
17	2.880-990.0	Spare part set O-Ring 5x -Kaercher	1	PC
18	7.401-915.0	Sphere 2,5 G40 -1.4034 DIN 5401	1	PC





## 44 Nozzle

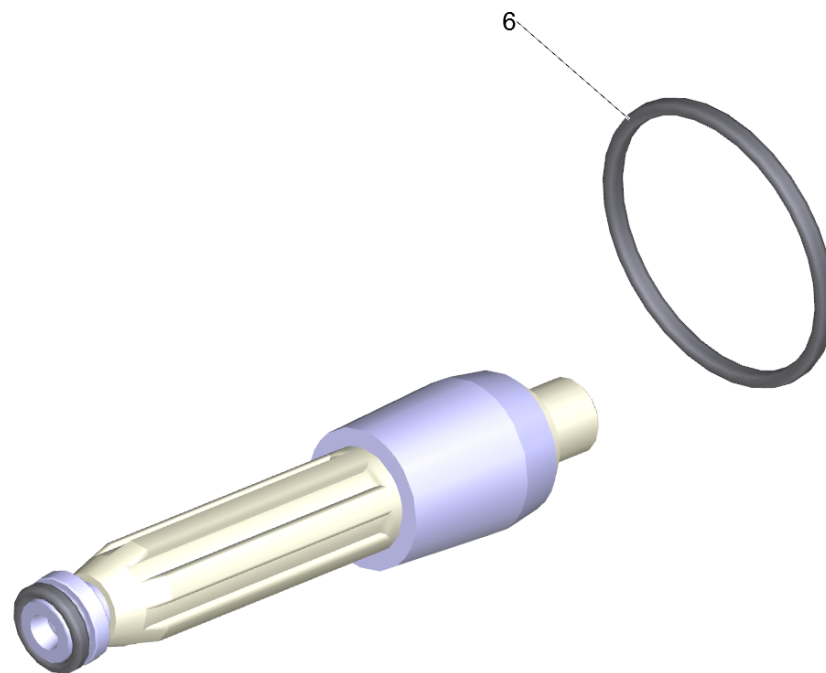
POS	Article no.	Description	Quantity	Unit
1	4.402-042.0	Screw union	1	PC
2	6.362-460.0	O-Ring seal 14,0 X 2,5-NBR 70	1	PC
3	5.030-528.0	Moulded part	1	PC
4	7.401-902.0	Sphere 5 G20 -1.4034 DIN 5401	2	PC
5	5.042-405.0	Holder	1	PC
6	7.777-999.0	Stockpiling discontinued	1	PC
7	6.362-480.0	O-Ring seal 12,42x 1,78	1	PC
8	5.415-604.0	Triple jet nozzle 042	1	PC
9	5.311-117.0	Hexagon nut	1	PC
10	5.037-059.0	Hook	1	PC
11	5.394-269.0	Protection part	1	PC
12	4.763-988.0	Dirt blaster	1	PC
	<b>Item text1:</b> 1.524-208.0 / -210.0 / -211.0			



## 12 Dirt blaster (4.763-988.0)

---

<b>POS</b>	<b>Article no.</b>	<b>Description</b>	<b>Quantity</b>	<b>Unit</b>
3	5.060-500.3	Housing	1	PC
7	5.394-375.0	Protection part	1	PC
999	2.884-113.0	Spare part set dirt blaster 045	1	PC

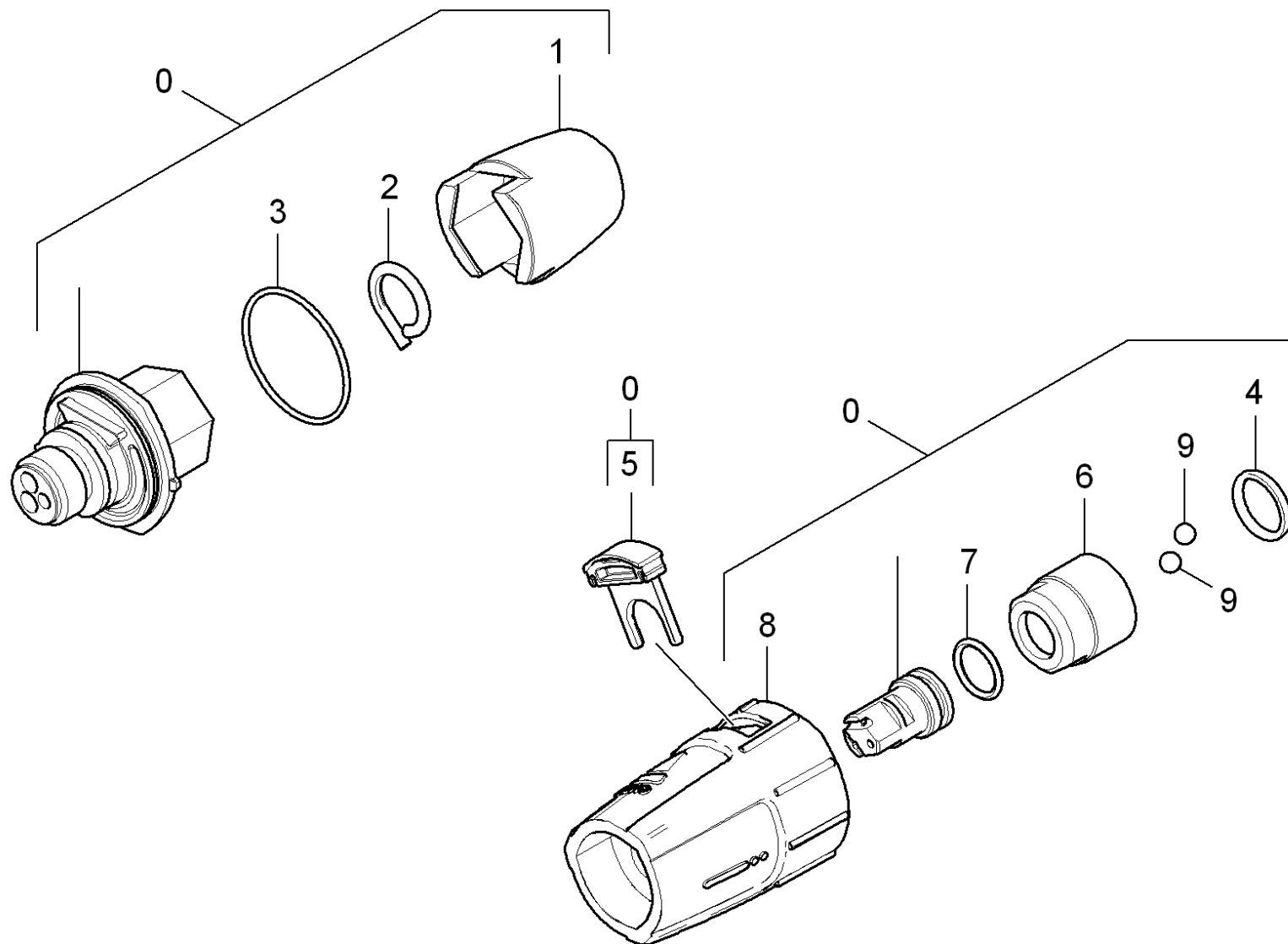


999 Spare part set dirt blaster 045 (2.884-113.0)

---

POS	Article no.	Description	Quantity	Unit
6	6.362-463.0	O-Ring seal 28,0 X 2,0-NBR 78	1	PC

---



## 45 Nozzle

---

<b>POS</b>	<b>Article no.</b>	<b>Description</b>	<b>Quantity</b>	<b>Unit</b>
0	4.767-151.0	Triple jet nozzle only for replacement 0	1	PC
1	5.394-530.0	Protection part complete	1	PC
2	6.343-150.0	Pin 03	1	PC
3	6.362-409.0	O-Ring seal 32,0 X 1,5	1	PC
4	6.362-460.0	O-Ring seal 14,0 X 2,5-NBR 70	1	PC
5	5.321-884.0	Clamp	1	PC
6	5.311-225.0	Nut	1	PC
7	6.362-480.0	O-Ring seal 12,42x 1,78	1	PC
8	5.394-859.0	Protection part	1	PC
9	7.401-902.0	Sphere 5 G20 -1.4034 DIN 5401	2	PC

Triple jet nozzle only for replacement 0 (4.767-151.0)

---

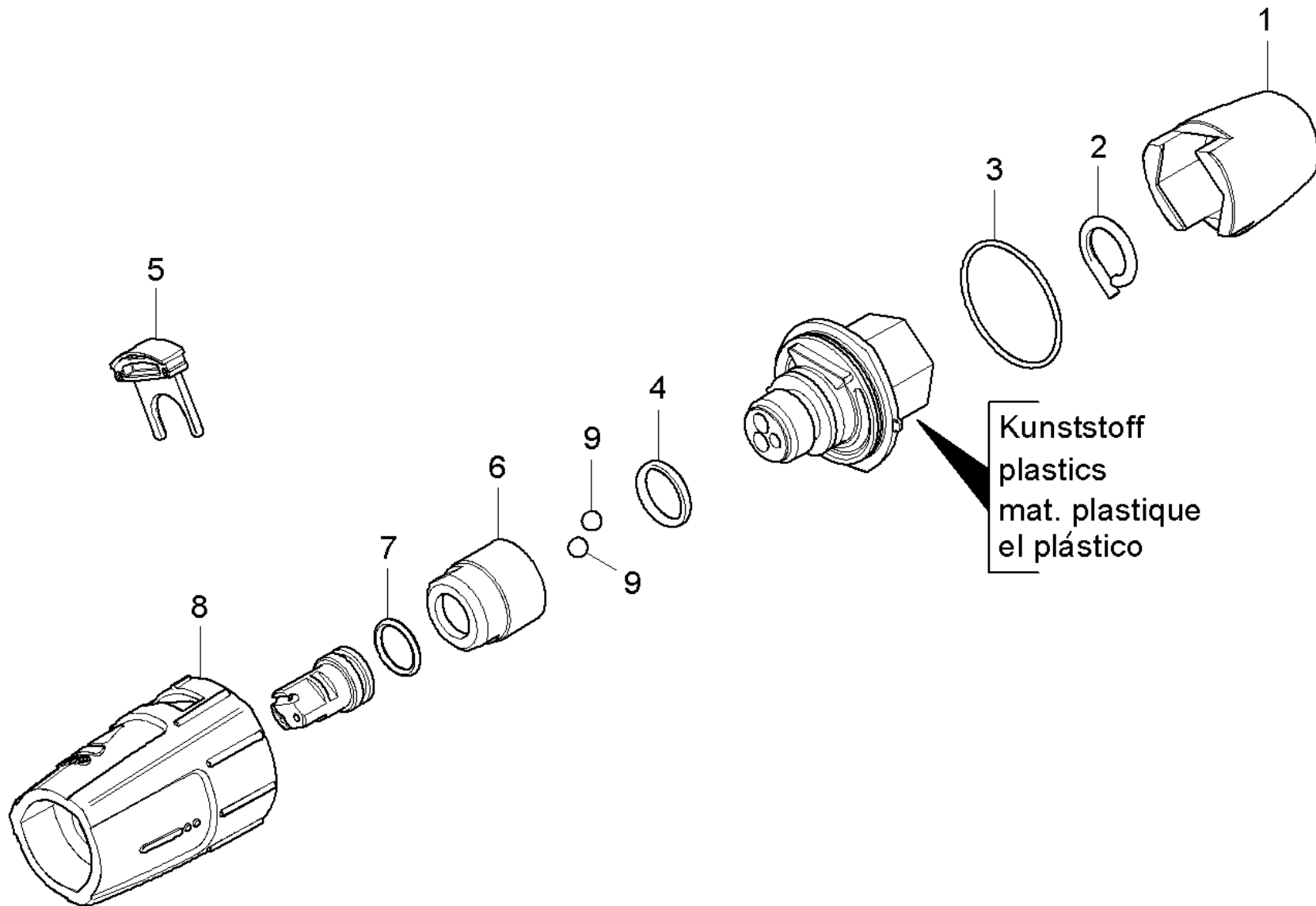
<b>POS</b>	<b>Article no.</b>	<b>Description</b>	<b>Quantity</b>	<b>Unit</b>
2	5.970-837.0	Spare parts list triple jet nozzle	1	PC



2 Spare parts list triple jet nozzle (5.970-837.0)

---

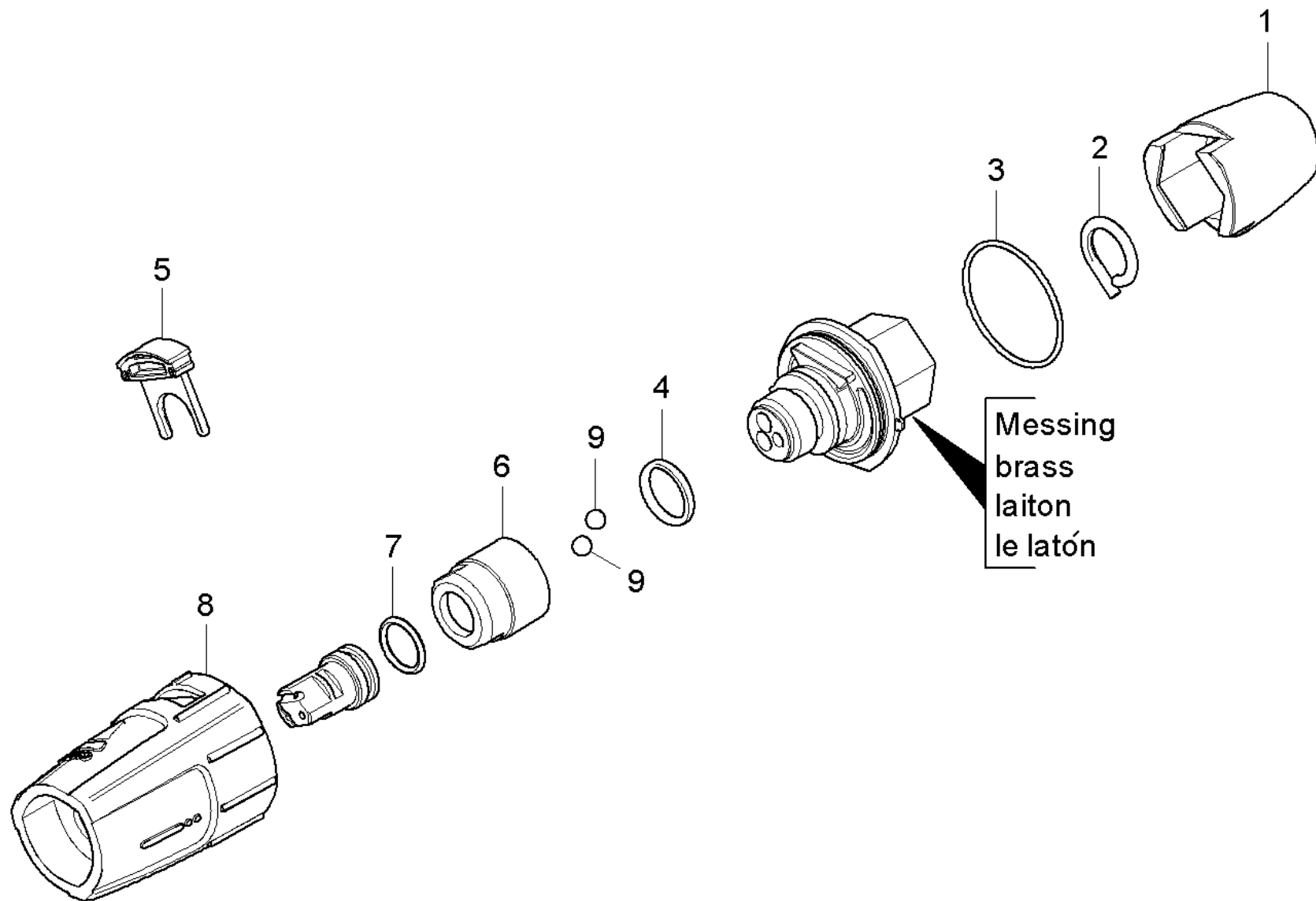
<b>POS</b>	<b>Description</b>	<b>Quantity</b>	<b>Unit</b>
10	Triple jet nozzle plastics	1	PC
20	Triple jet nozzle brass	1	PC



## 10 Triple jet nozzle plastics

---

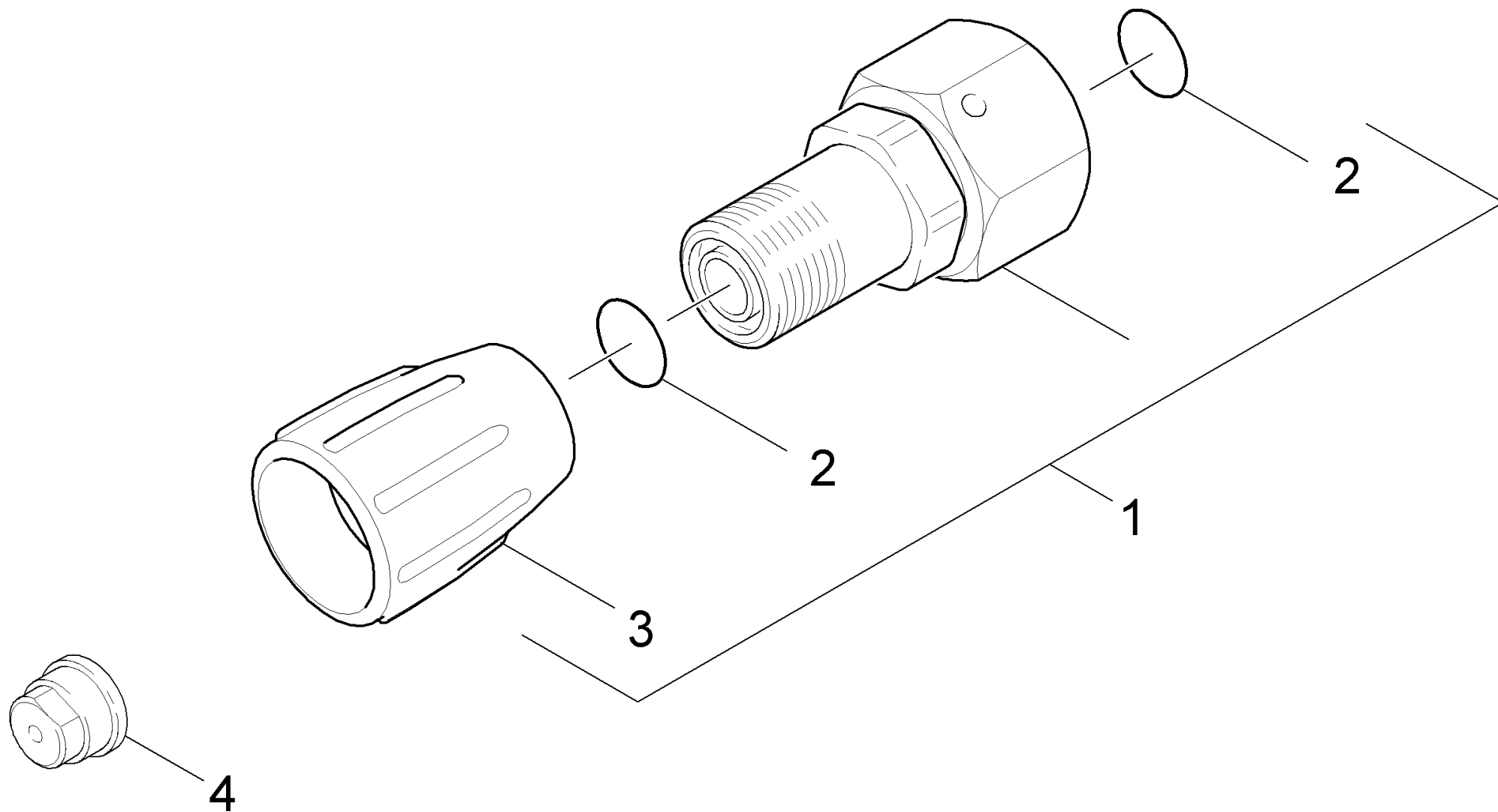
<b>POS</b>	<b>Article no.</b>	<b>Description</b>	<b>Quantity</b>	<b>Unit</b>
1	5.394-530.0	Protection part complete	1	PC
2	6.343-150.0	Pin 03	1	PC
3	6.362-409.0	O-Ring seal 32,0 X 1,5	1	PC
4	7.362-039.0	O-Ring seal 15,5x1,5 -NBR70 DIN 3771	1	PC
5	5.321-884.0	Clamp	1	PC
6	5.311-236.0	Nut	1	PC
7	6.362-480.0	O-Ring seal 12,42x 1,78	1	PC
8	5.394-874.0	Protection part	1	PC
9	7.401-902.0	Sphere 5 G20 -1.4034 DIN 5401	2	PC



## 20 Triple jet nozzle brass

---

<b>POS</b>	<b>Article no.</b>	<b>Description</b>	<b>Quantity</b>	<b>Unit</b>
1	5.394-530.0	Protection part complete	1	PC
2	6.343-150.0	Pin 03	1	PC
3	6.362-409.0	O-Ring seal 32,0 X 1,5	1	PC
4	6.362-460.0	O-Ring seal 14,0 X 2,5-NBR 70	1	PC
5	5.321-884.0	Clamp	1	PC
6	5.311-225.0	Nut	1	PC
7	6.362-480.0	O-Ring seal 12,42x 1,78	1	PC
8	5.394-859.0	Protection part	1	PC
9	7.401-902.0	Sphere 5 G20 -1.4034 DIN 5401	2	PC



## 46 Screw union

---

POS	Article no.	Description	Quantity	Unit
1	4.402-022.0	Screw union	1	PC
2	2.880-990.0	Spare part set O-Ring 5x -Kaercher	1	PC
3	5.401-210.0	Screw connector part	1	PC
4	2.883-831.0	Power nozzle 25042	1	PC
<b>Item text1:</b>		1.524-207.0		

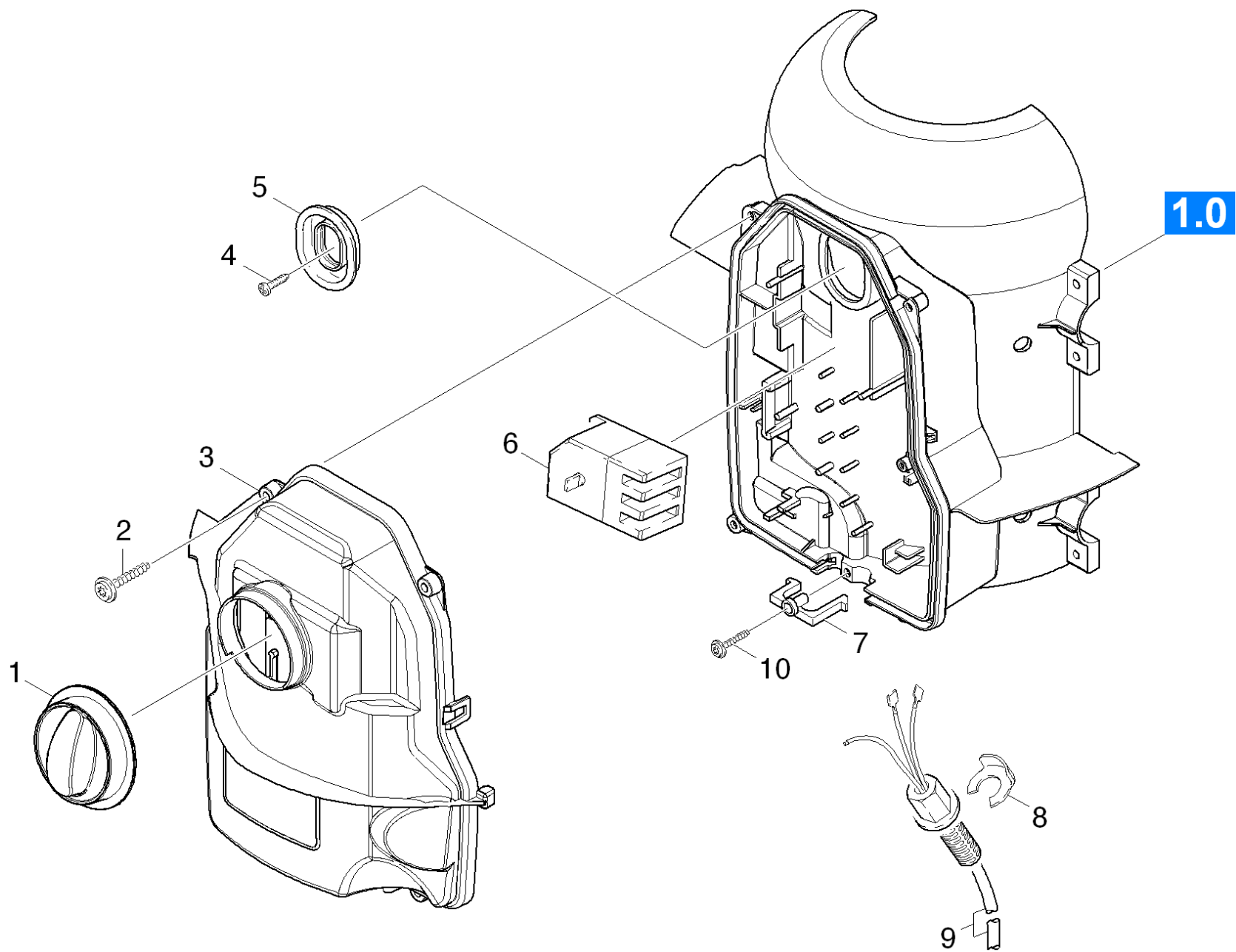
---

1 Screw union (4.402-022.0)

---

POS	Article no.	Description	Quantity	Unit
9000	7.362-501.0	O-Ring seal 10x2 EPDM 70 DIN 3770	2	PC





## 50 Electric box

POS	Article no.	Description	Quantity	Unit
1	5.321-692.0	Handle	1	PC
2	7.303-108.0	Screw 5x20 -10.9-R2R (In6Rd)	4	PC
3	5.064-176.0	Cover	1	PC
4	7.303-031.0	Screw M4x10 -St-P2R (In6Rd)	1	PC
5	5.365-181.0	Profile gasket	1	PC
6	6.631-190.0	Motor protecting switch	1	PC
7	5.263-058.0	Tensioning part	1	PC
8	6.343-186.0	Locking ring	1	PC
9	6.649-443.0	Cable without plug	1	PC
	<b>Item text1:</b> 1.524-210.0			
9	6.649-444.0	Cable with plug	1	PC
	<b>Item text1:</b> 1.524-200.0 / -201.0 / -207.0 / -208.0 /			
	<b>Item text2:</b> -211.0			
10	7.303-109.0	Screw 5x25 -10.9-R2R (In6Rd)	1	PC