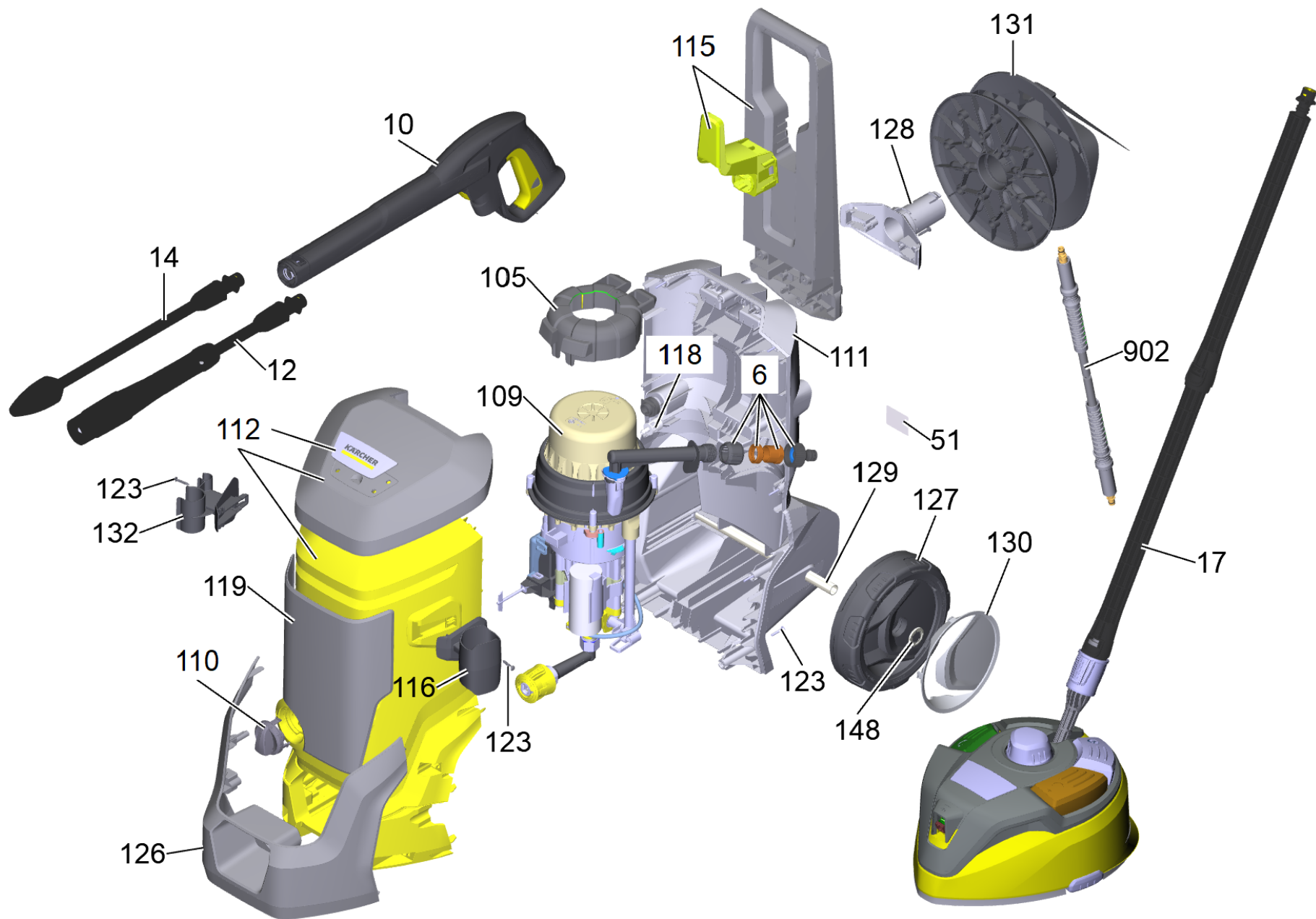


Spare parts list

(1.317-421.0) K 7 WCM Premium Home *EU

Table of contents

K 7 WCM Premium Home *EU (1.317-421.0)	3
10 G 180 Q Trigger gun Quick Connect (2.642-889.0)	5
12 VP 145 Vario Power Jet (packaged) (2.642-725.0)	7
14 DB 145 rotor nozzle packaged (2.642-728.0)	9
17 T 7 Plus (2.644-074.0)	11
1 T 7 Plus kpl.	13
2 Bearing support complete	15
1 Adapter complete	17
901 replacement nozzles T-Racer (2.644-081.0)	19
901 replacement nozzles T-Racer (2.644-081.0)	21
2 Single-step jet pipe extension (2.643-240.0)	23
999 T 7 appliances supplement	25
2 Bearing support complete	27
1 Adapter complete	29
901 replacement nozzles T-Racer (2.644-081.0)	31
901 replacement nozzles T-Racer (2.644-081.0)	33
109 Pump set complete KP-7/0-AI *EU	35
50 Transmission complete K7 WCM H115 *EU (4.551-332.3)	37
51 Pump head complete	39
101 Piston guidance complete	41
102 Cylinder head alluminio completo (c/imballo) (9.002-525.0)	43
104 Valve pin complete (4.584-022.0)	44
105 Plug complete (4.580-702.0)	46
114 Nozzle insert only for replacement (4.769-034.0)	48
999 Spare parts set excess-current (2.885-186.0)	50
103 Control piston complete replacement (2.885-408.0)	52
53 Spare parts set electric box (2.885-189.0)	54
53 Electric box complete	56
901 Tool (2.901-048.0)	58
118 Hose Detergent Compact NCR	60
902 High pressure hose 18MPa/10 60°C QC B (6.396-492.0)	62



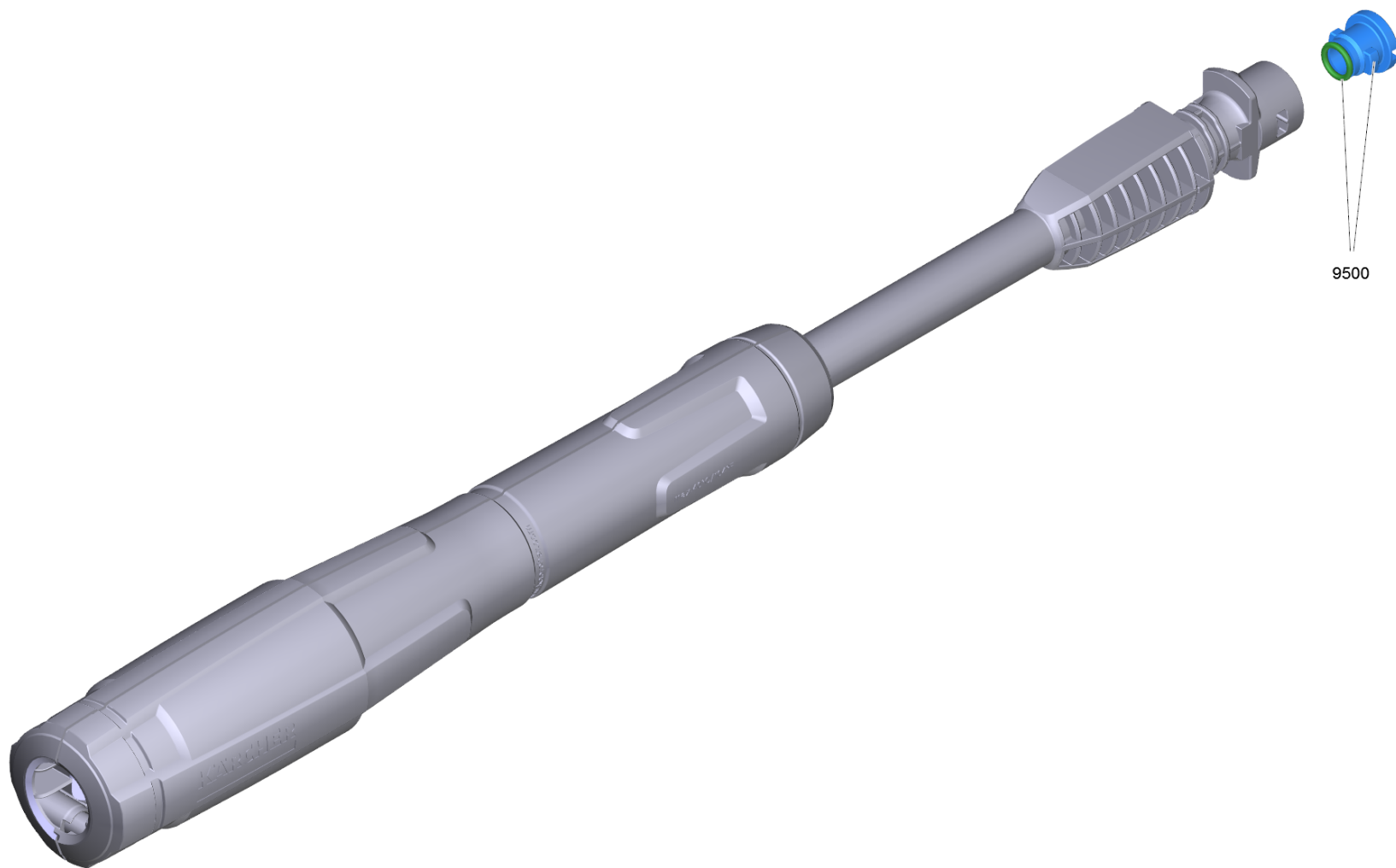
K 7 WCM Premium Home *EU (1.317-421.0)

POS	Article no.	Description	Quantity	Unit
6	2.645-010.0	Tap adaptor for inhouse fittings	1	PC
10	2.642-889.0	G 180 Q Trigger gun Quick Connect	1	PC
12	2.642-725.0	VP 145 Vario Power Jet (packaged)	1	PC
14	2.642-728.0	DB 145 rotor nozzle packaged	1	PC
17	2.644-074.0	T 7 Plus	1	PC
51	5.387-620.0	Warning sign new	1	PC
105	5.322-164.0	Holder pump set	1	PC
109		Pump set complete KP-7/0-AI *EU	1	PC
110	9.037-693.0	Handhold switch	1	PC
111	9.038-790.3	Housing rear K7 WCM	1	PC
112	4.101-102.0	Housing front cpl. K7 WCM	1	PC
115	4.101-101.0	Hand grip cpl.	1	PC
116	5.039-600.3	Holder pistol black (PFR)	1	PC
118		Hose Detergent Compact NCR	1	PC
119	9.038-793.3	Screen front K7 WCM	1	PC
123	9.086-221.0	Screw ATF 4.1x22	11	PC
126	9.038-791.3	Bumper K7 WCM	1	PC
127	5.515-071.0	Wheel D200	2	PC
128	5.039-603.0	Holder hose reel (MR)	1	PC
129	5.105-361.0	Axle L=310	1	PC
130	2.885-473.0	Spare parts set screen wheel	1	PC
131	4.775-780.3	Hose reel high-pressure cpl. K3/4 (PFR)	1	PC
132	9.038-781.3	Holder jet pipe double WCM	1	PC
148	6.343-168.0	Lock washer	2	PC
902	6.396-492.0	High pressure hose 18MPa/10 60°C QC B	1	PC



10 G 180 Q Trigger gun Quick Connect (2.642-889.0)

POS	Article no.	Description	Quantity	Unit
1	5.332-464.0	Pressure spring	1	PC



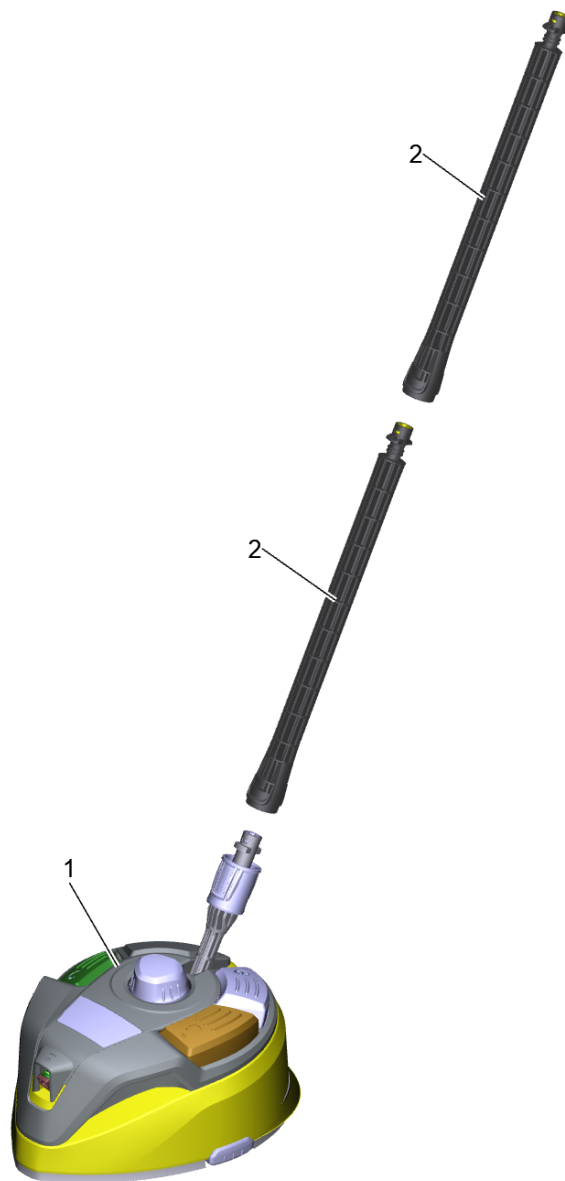
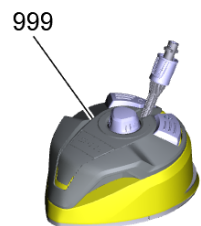
12 VP 145 Vario Power Jet (packaged) (2.642-725.0)

POS	Article no.	Description	Quantity	Unit
9500	2.640-729.0	O-Ring seal set	1	PC



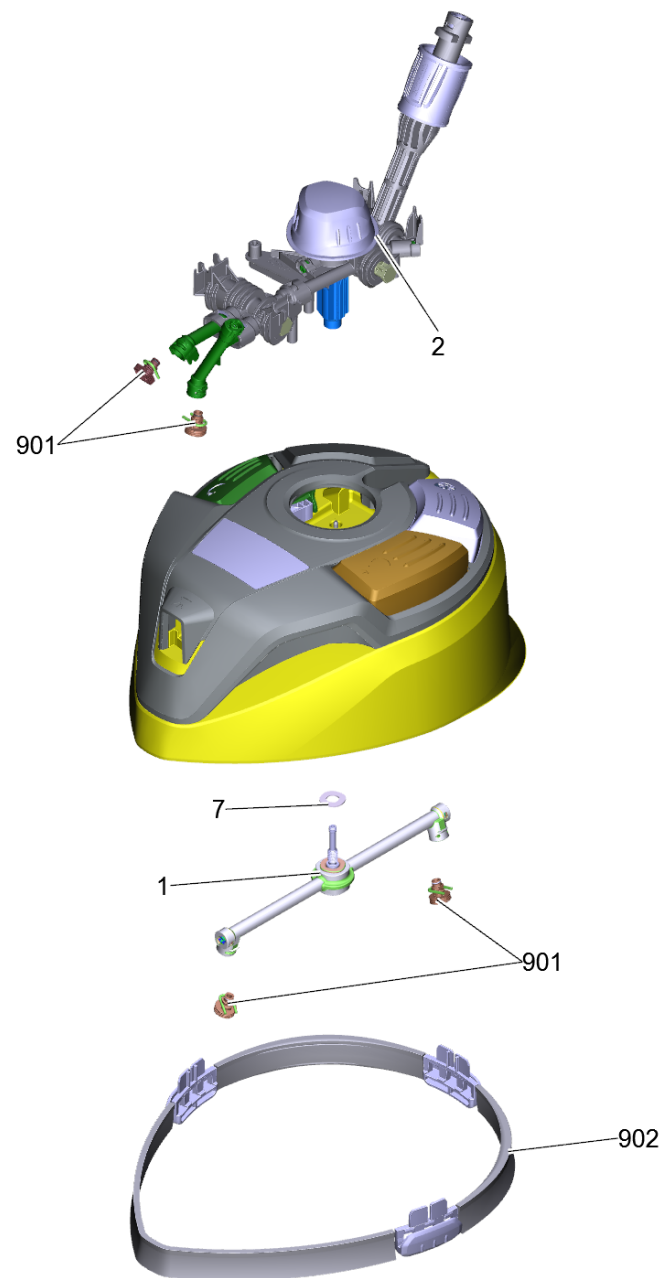
14 DB 145 rotor nozzle packaged (2.642-728.0)

POS	Article no.	Description	Quantity	Unit
9500	2.640-729.0	O-Ring seal set	1	PC



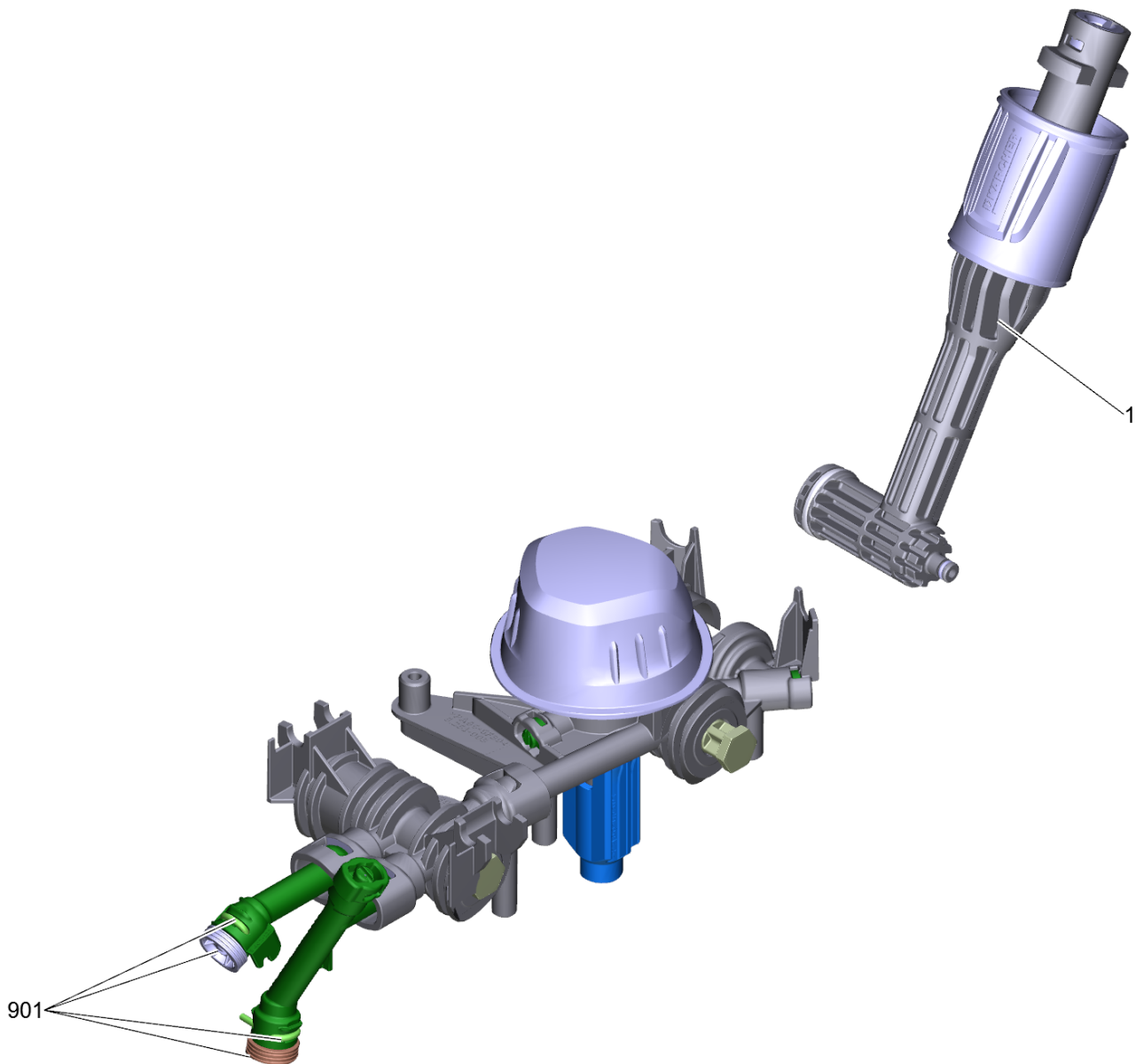
17 T 7 Plus (2.644-074.0)

POS	Article no.	Description	Quantity	Unit	Remark
1		T 7 Plus kpl.	1	PC	
2	2.643-240.0	Single-step jet pipe extension	2	PC	
999		T 7 appliances supplement	1	PC	spare parts T7 (not content of T7+ 2.644-074.0)



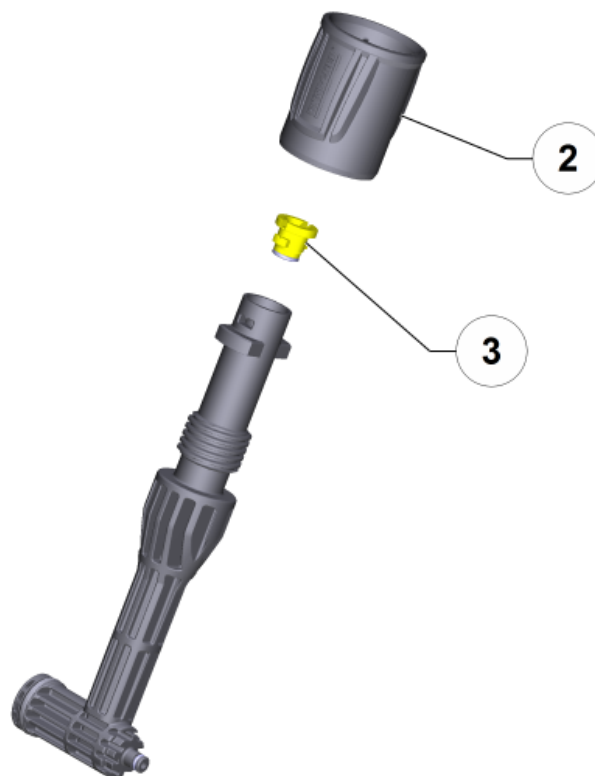
1 T 7 Plus kpl.

POS	Article no.	Description	Quantity	Unit
1	4.762-603.3	Rotor complete	1	PC
2		Bearing support complete	1	PC
7	5.115-971.0	Washer	1	PC
901	2.644-081.0	replacement nozzles T-Racer	1	PC
902	4.100-739.0	Strip brush spare parts set plus	1	PC



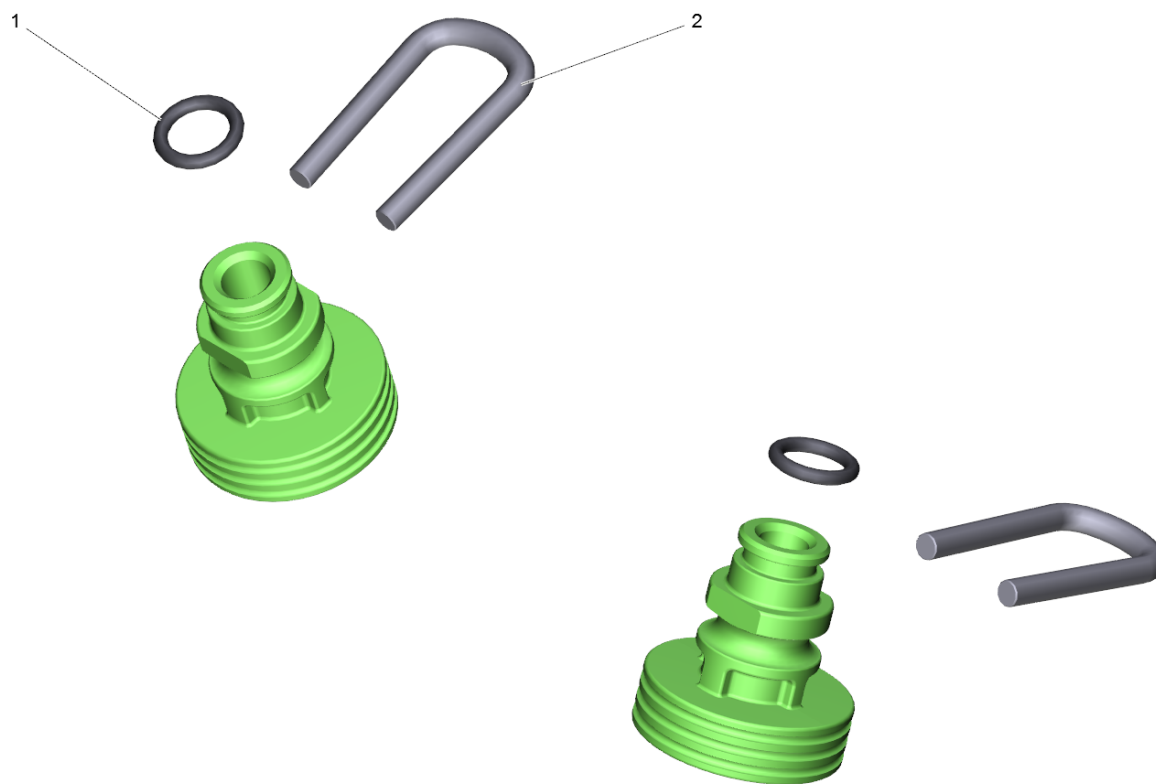
2 Bearing support complete

POS	Article no.	Description	Quantity	Unit
1		Adapter complete	1	PC
901	2.644-081.0	replacement nozzles T-Racer	1	PC



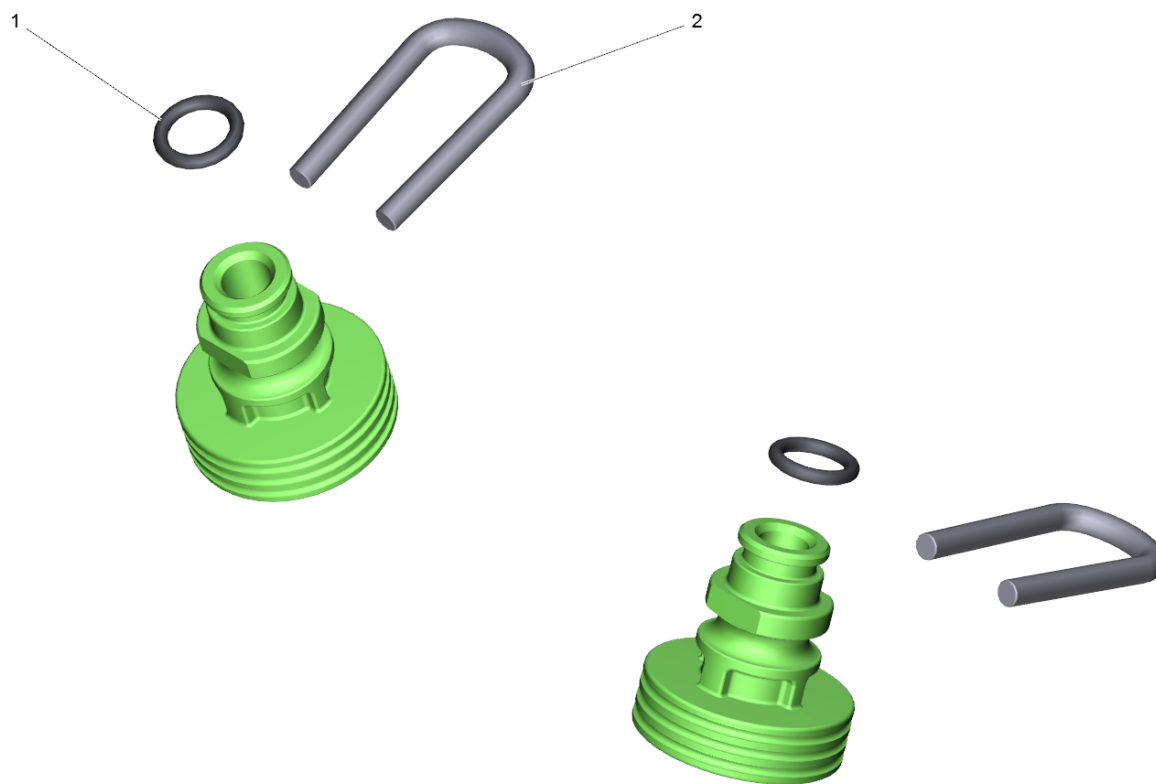
1 Adapter complete

POS	Article no.	Description	Quantity	Unit
2	5.310-160.0	Nut Kaercher	1	PC
3	2.640-729.0	O-Ring seal set	1	PC



901 replacement nozzles T-Racer (2.644-081.0)

POS	Article no.	Description	Quantity	Unit
1	6.363-609.0	O-Ring seal 5 x 1,2 -EPDM	2	PC
2	5.037-151.0	Clamp	2	PC



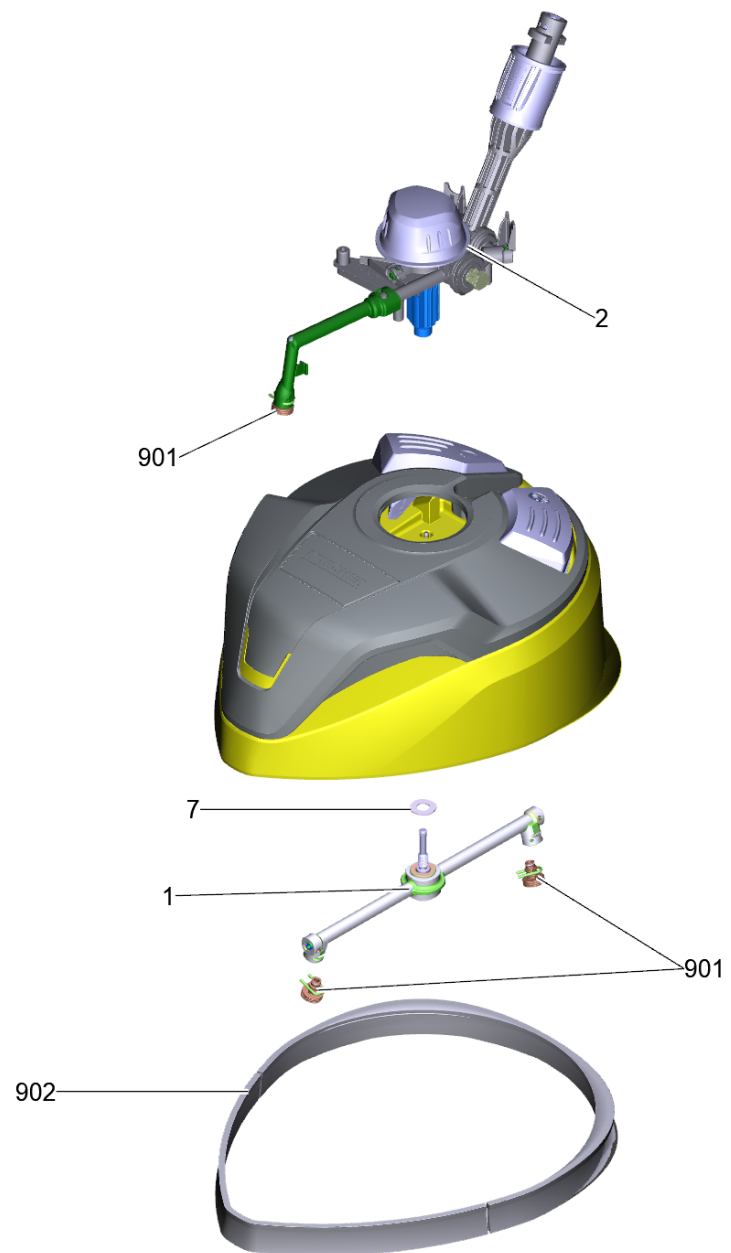
901 replacement nozzles T-Racer (2.644-081.0)

POS	Article no.	Description	Quantity	Unit
1	6.363-609.0	O-Ring seal 5 x 1,2 -EPDM	2	PC
2	5.037-151.0	Clamp	2	PC



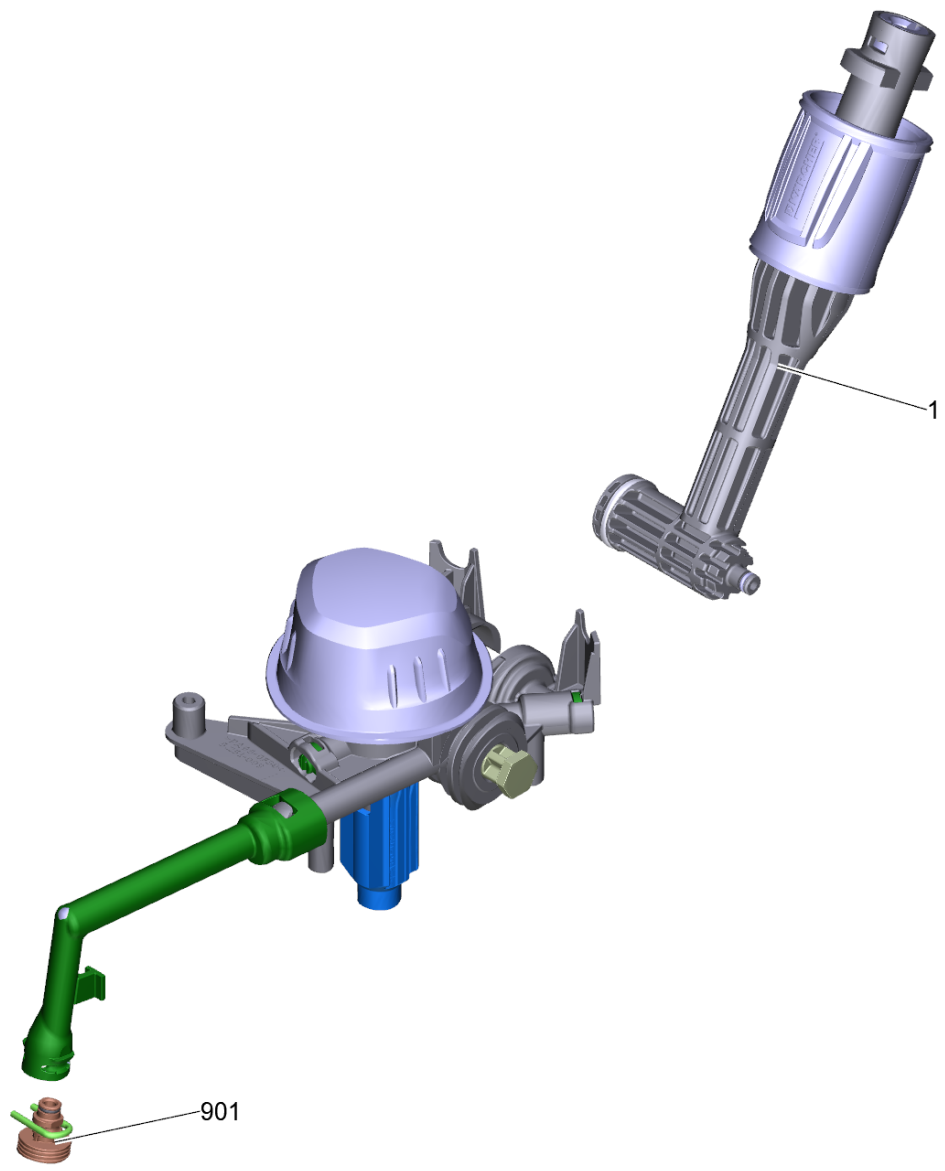
2 Single-step jet pipe extension (2.643-240.0)

POS	Article no.	Description	Quantity	Unit
3	2.640-729.0	O-Ring seal set	1	PC
8	5.332-464.0	Pressure spring	1	PC
10	5.310-160.0	Nut Kaercher	1	PC



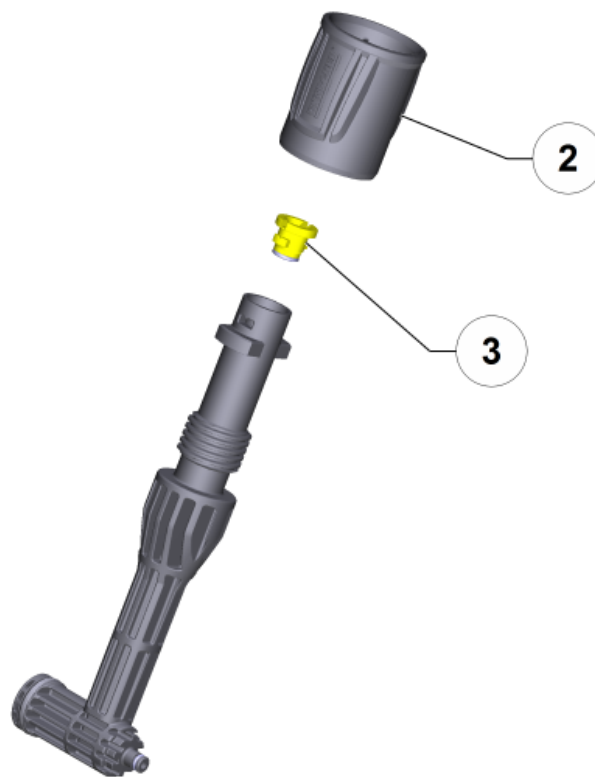
999 T 7 appliances supplement

POS	Article no.	Description	Quantity	Unit
1	4.762-603.3	Rotor complete	1	PC
2		Bearing support complete	1	PC
7	5.115-971.0	Washer	1	PC
901	2.644-081.0	replacement nozzles T-Racer	1	PC
902	4.100-823.0	Strip brush spare parts set	1	PC



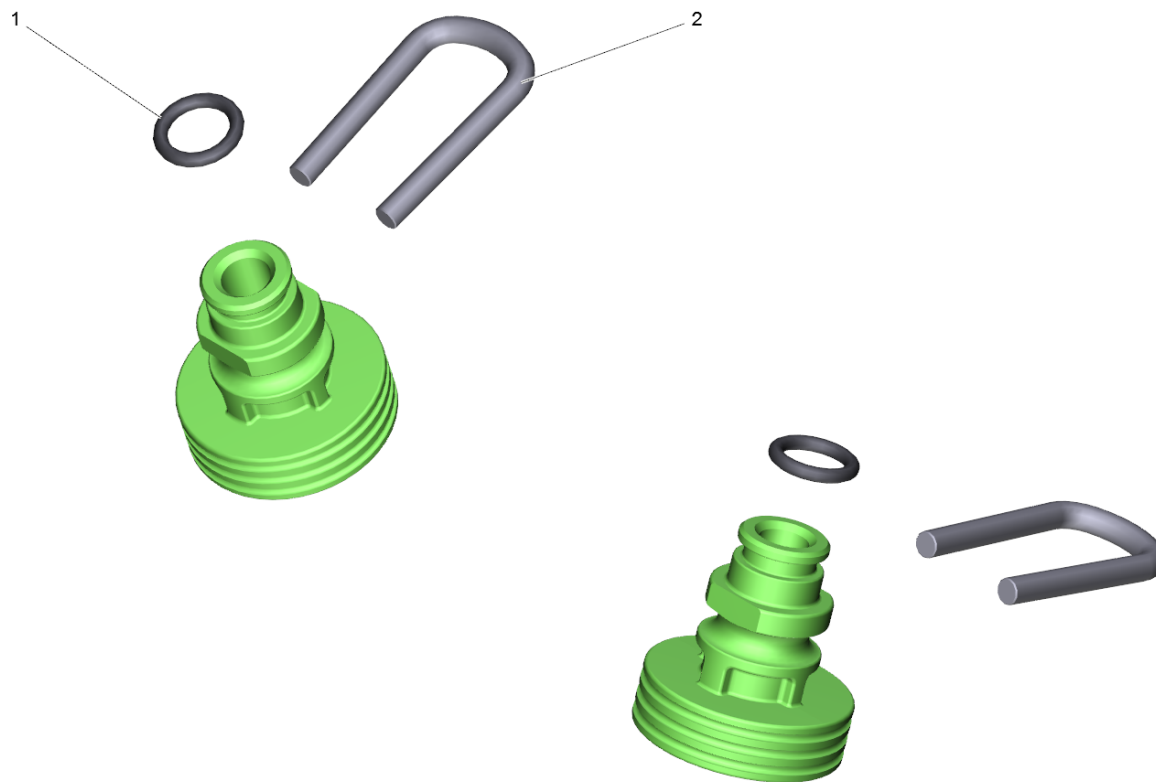
2 Bearing support complete

POS	Article no.	Description	Quantity	Unit
1		Adapter complete	1	PC
901	2.644-081.0	replacement nozzles T-Racer	1	PC



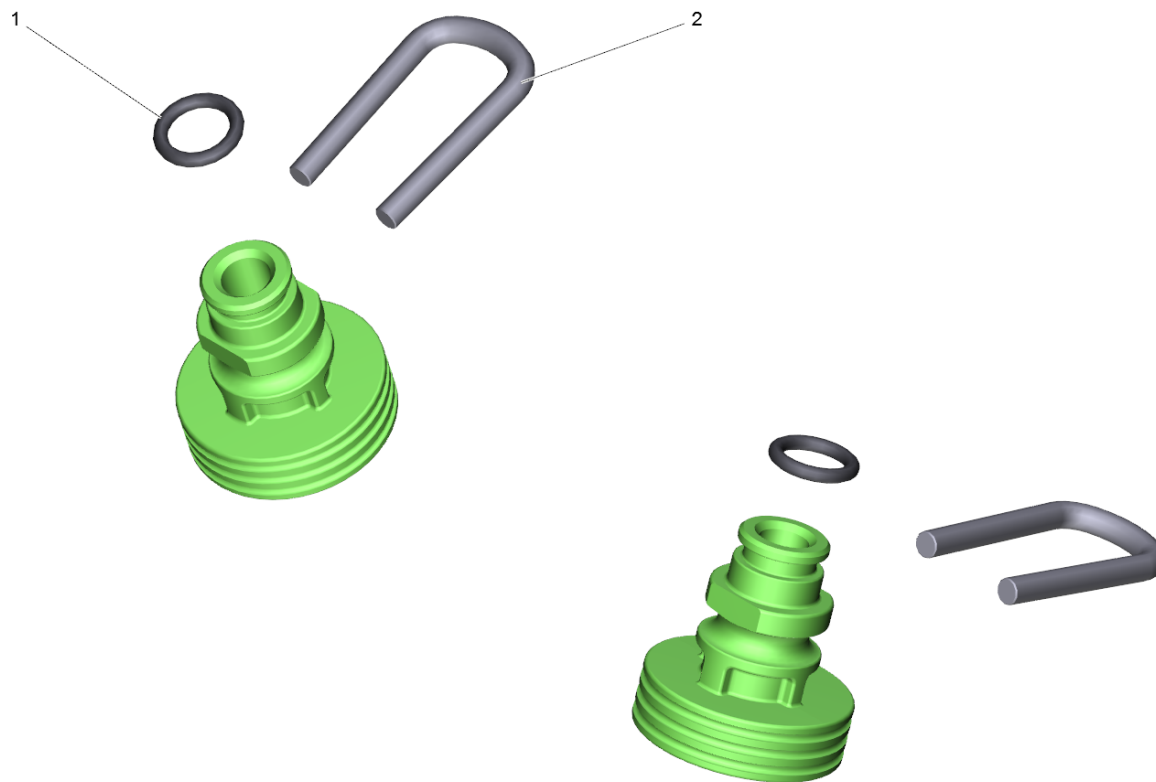
1 Adapter complete

POS	Article no.	Description	Quantity	Unit
2	5.310-160.0	Nut Kaercher	1	PC
3	2.640-729.0	O-Ring seal set	1	PC



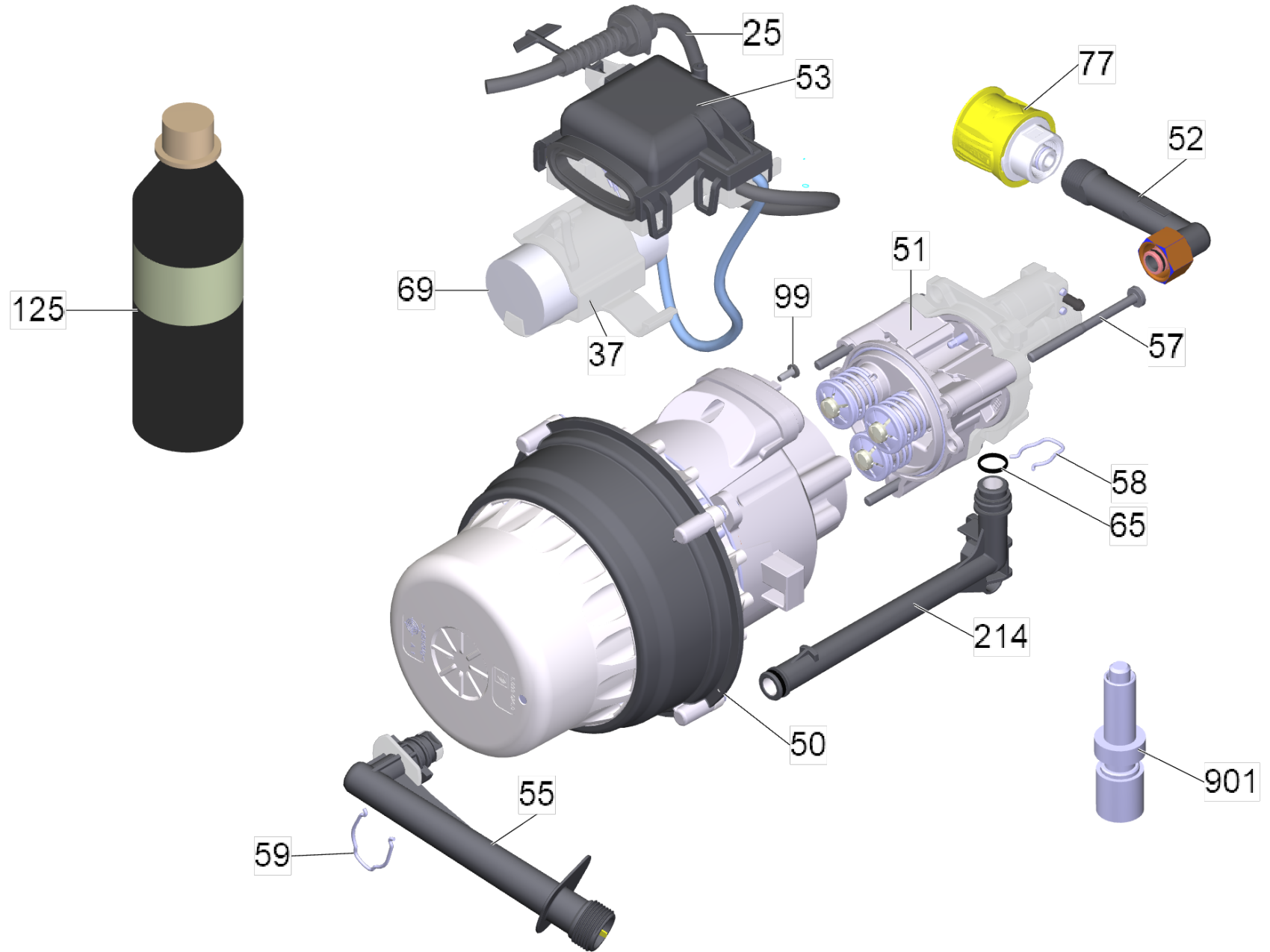
901 replacement nozzles T-Racer (2.644-081.0)

POS	Article no.	Description	Quantity	Unit
1	6.363-609.0	O-Ring seal 5 x 1,2 -EPDM	2	PC
2	5.037-151.0	Clamp	2	PC



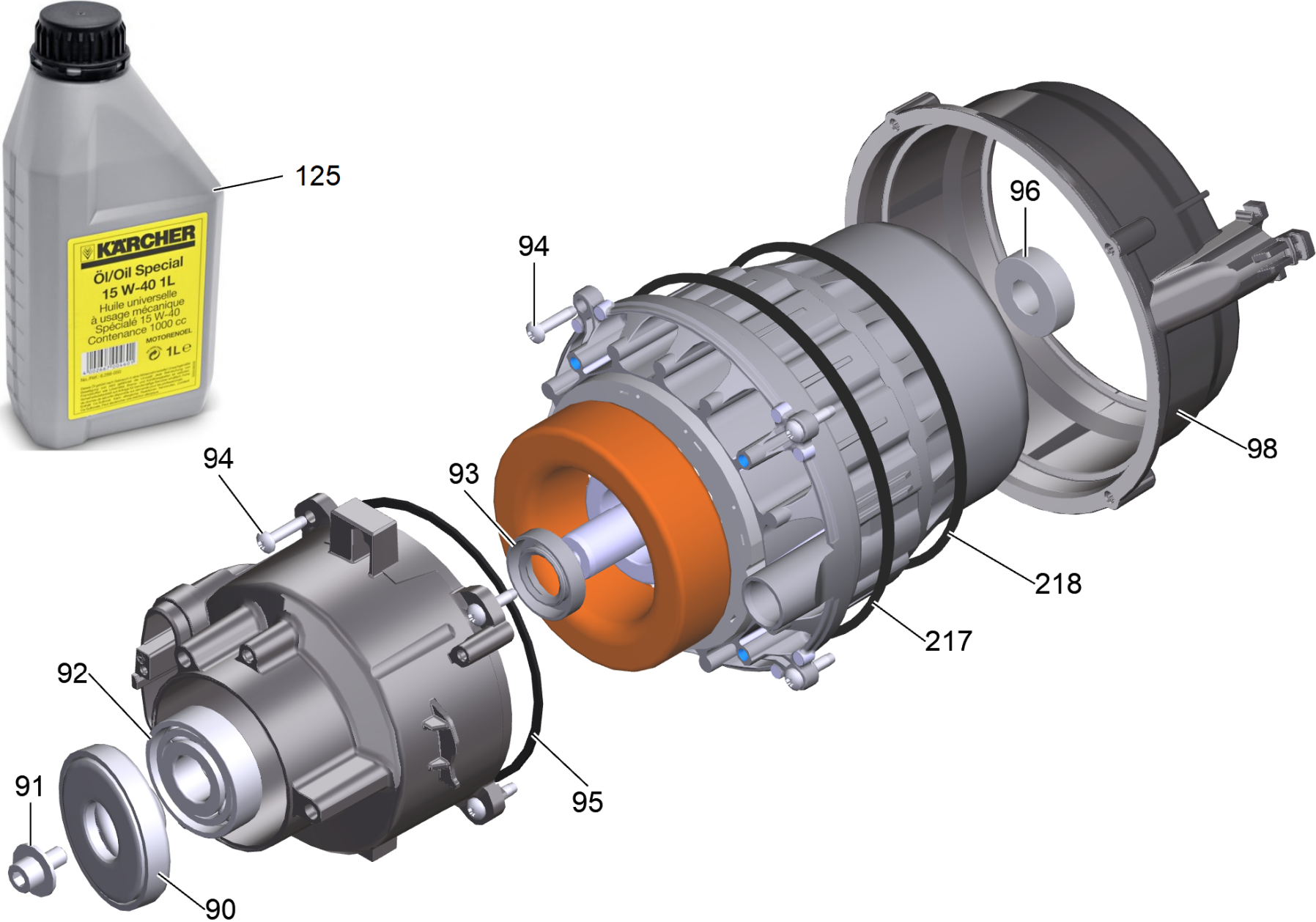
901 replacement nozzles T-Racer (2.644-081.0)

POS	Article no.	Description	Quantity	Unit
1	6.363-609.0	O-Ring seal 5 x 1,2 -EPDM	2	PC
2	5.037-151.0	Clamp	2	PC



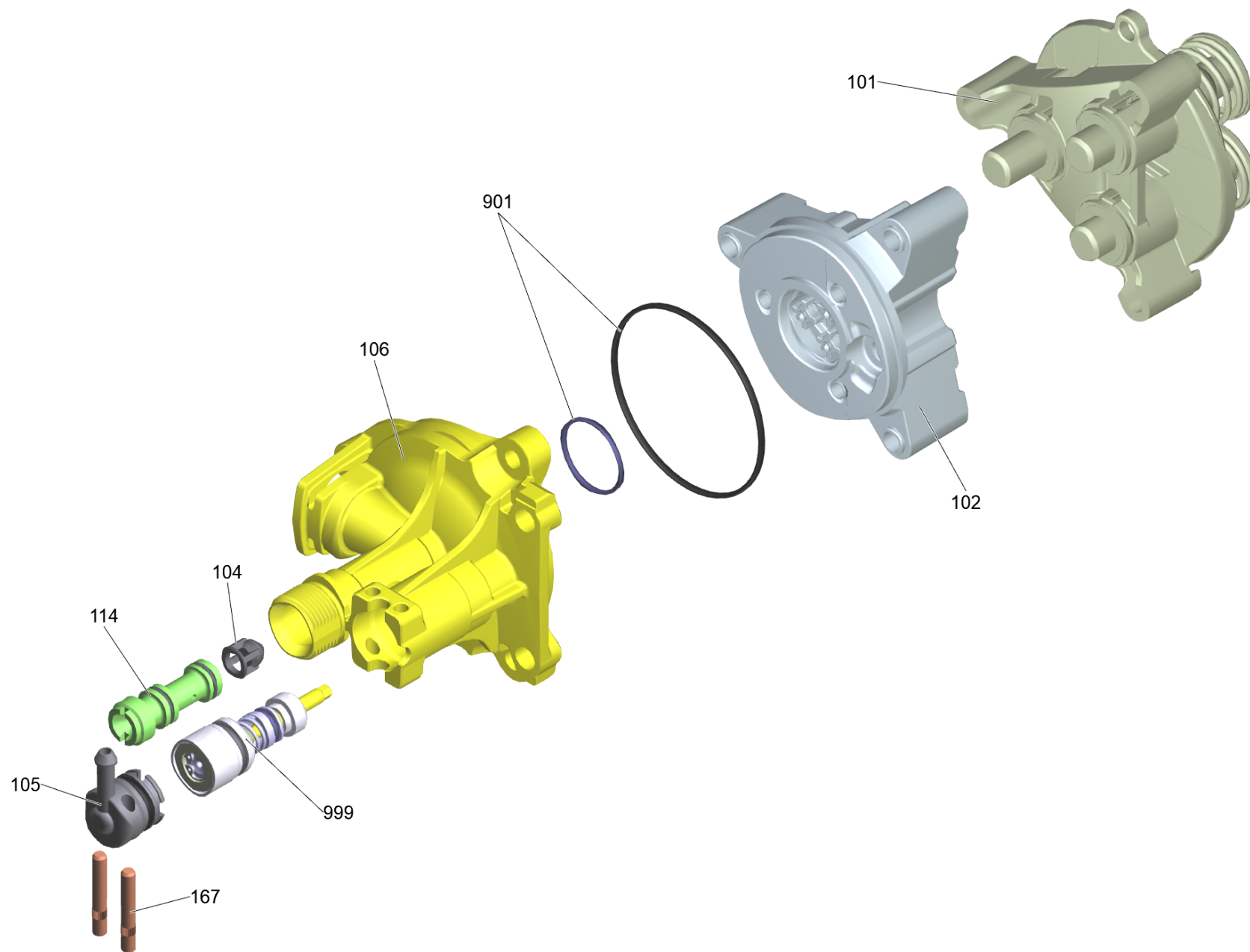
109 Pump set complete KP-7/0-AI *EU

POS	Article no.	Description	Quantity	Unit
25	6.649-740.0	Cable with plug *EU	1	PC
37	5.322-313.0	Holder capacitor	1	PC
50	4.551-332.3	Transmission complete K7 WCM H115 *EU	1	PC
51		Pump head complete	1	PC
52	9.002-524.0	Output complete K7	1	PC
53	2.885-189.0	Spare parts set electric box	1	PC
55	4.101-103.0	Intake with filter cpl.	1	PC
57	6.303-042.0	Screw M6x80	3	PC
58	5.048-915.0	Clamp	1	PC
59	5.048-065.0	Clamp pipe intake	1	PC
65	6.363-610.0	O-Ring seal 13 x 3 -NBR	1	PC
69	9.002-614.0	Capacitor replacement 6.661-288.0	1	PC
77	4.470-041.0	High pressure quick-fitting pipe union A	1	PC
99	7.303-031.0	Screw M4x10 -St-P2R (In6Rd)	1	PC
125	6.288-050.0	Engine oil 1L	1	PC
214	5.443-654.0	Tube Ruecklauf WCM K7 D117	1	PC
901	2.901-048.0	Tool	1	PC



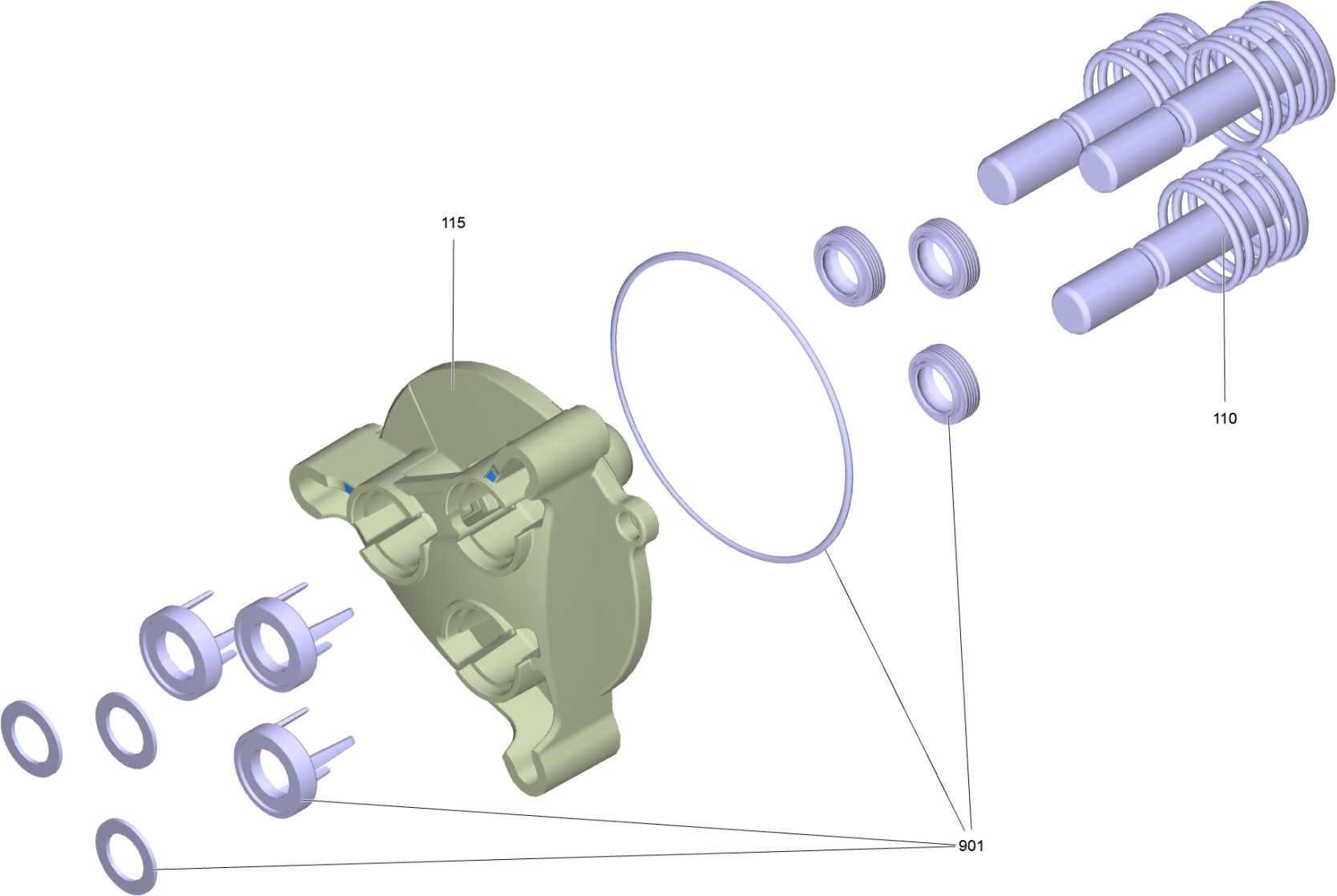
50 Transmission complete K7 WCM H115 *EU (4.551-332.3)

POS	Article no.	Description	Quantity	Unit
90	9.002-541.0	Rotor disc oscillante	1	PC
91	9.086-169.0	Wobble plate screw M8x16	1	PC
92		Bearing for replacement	1	PC
93	6.367-051.0	Rotary shaft seal -20X37X8 NBR	1	PC
94	6.303-320.0	Screw M 5x 20-St-R2R	8	PC
95	5.363-453.0	Joint ring D116 x 1,8	1	PC
96	4.401-198.0	Ball bearing 6202-2RS -Wälzl.St DIN 625	1	PC
98	5.093-025.0	Outer covering water flow	1	PC
125	6.288-050.0	Engine oil 1L	1	PC
217	6.363-593.0	O-Ring seal 146x5 EPDM	1	PC
218	6.363-647.0	O-Ring seal D130x5	1	PC



51 Pump head complete

POS	Article no.	Description	Quantity	Unit
101		Piston guidance complete	1	PC
102	9.002-525.0	Cylinder head alluminio completo (c/imballo)	1	PC
104	4.584-022.0	Valve pin complete	1	PC
105	4.580-702.0	Plug complete	1	PC
106	5.062-149.0	Housing	1	PC
114	4.769-034.0	Nozzle insert only for replacement	1	PC
167	5.314-150.0	Pin	2	PC
901	4.100-834.0	Spare parts set seals	1	PC
999	2.885-186.0	Spare parts set excess-current	1	PC

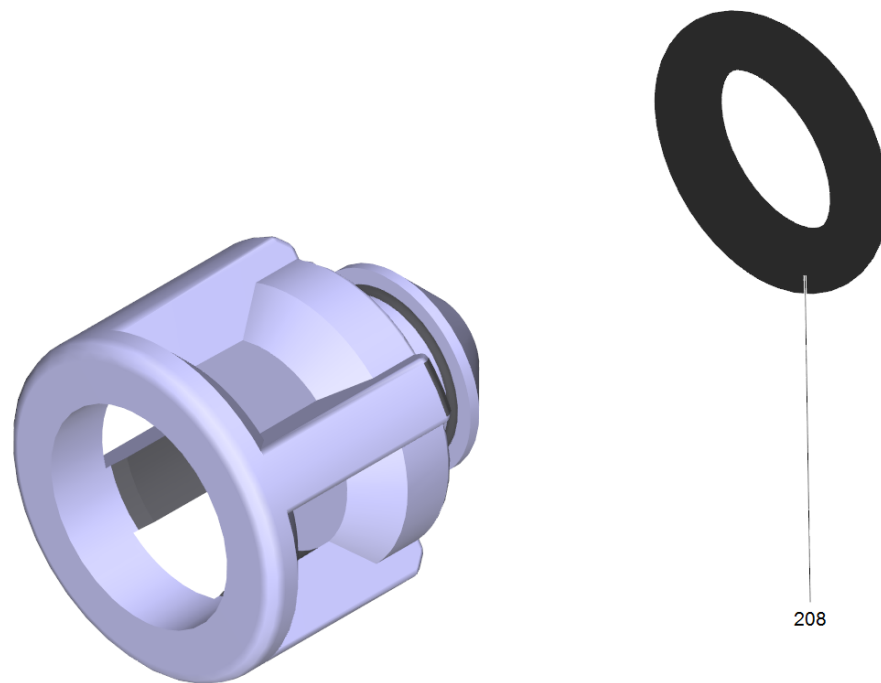


101 Piston guidance complete

POS	Article no.	Description	Quantity	Unit
110	9.002-522.0	Piston completo K7 (c/imballo)	3	PC
115	5.062-655.0	Piston guidance K7	1	PC
901	4.100-834.0	Spare parts set seals	1	PC

102 Cylinder head alluminio completo (c/imballo) (9.002-525.0)

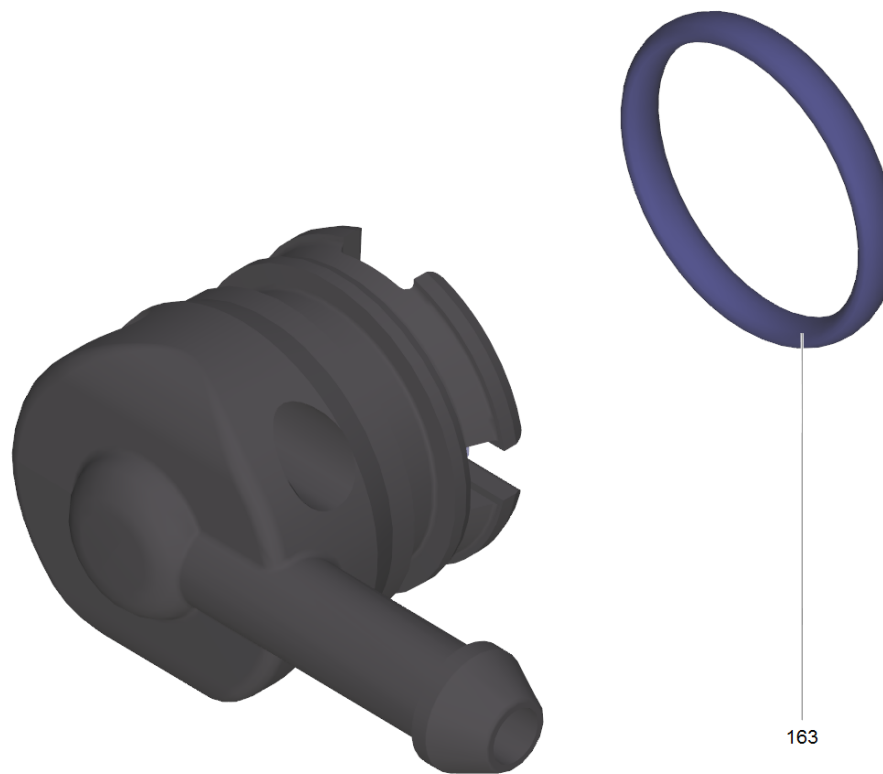
POS	Article no.	Description	Quantity	Unit
149	6.363-435.0	Grooved ring 12x17x4,25/2,5	3	PC



208

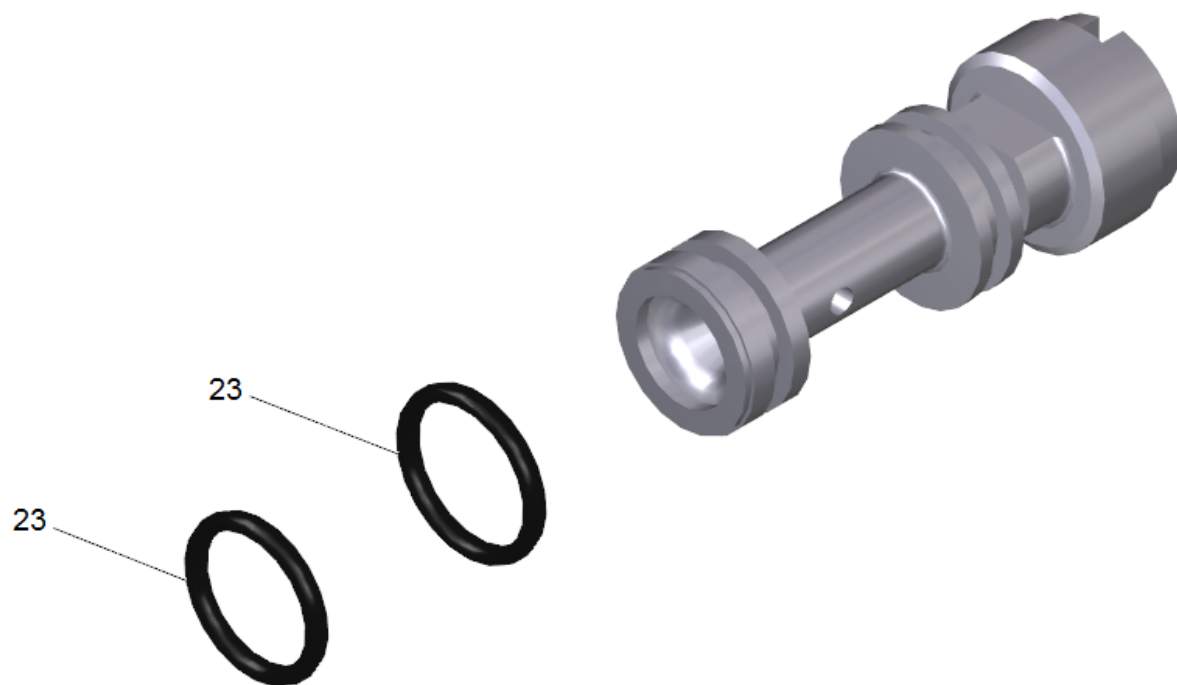
104 Valve pin complete (4.584-022.0)

POS	Article no.	Description	Quantity	Unit
208	6.363-613.0	O-Ring seal 4 x 2 -NBR90	1	PC



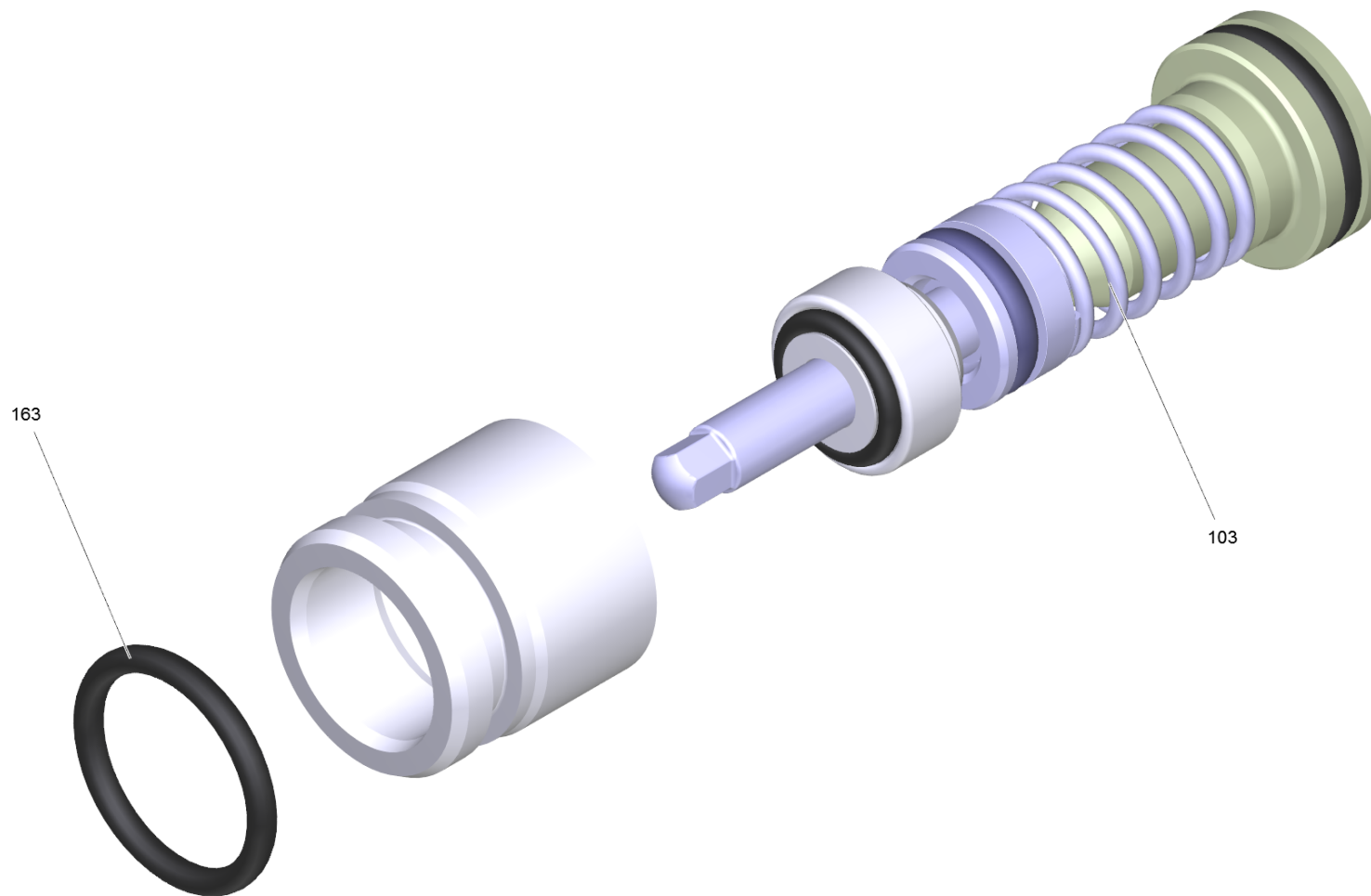
105 Plug complete (4.580-702.0)

POS	Article no.	Description	Quantity	Unit
163	6.362-030.0	O-Ring seal 15x2 90 Shore IRHD	1	PC



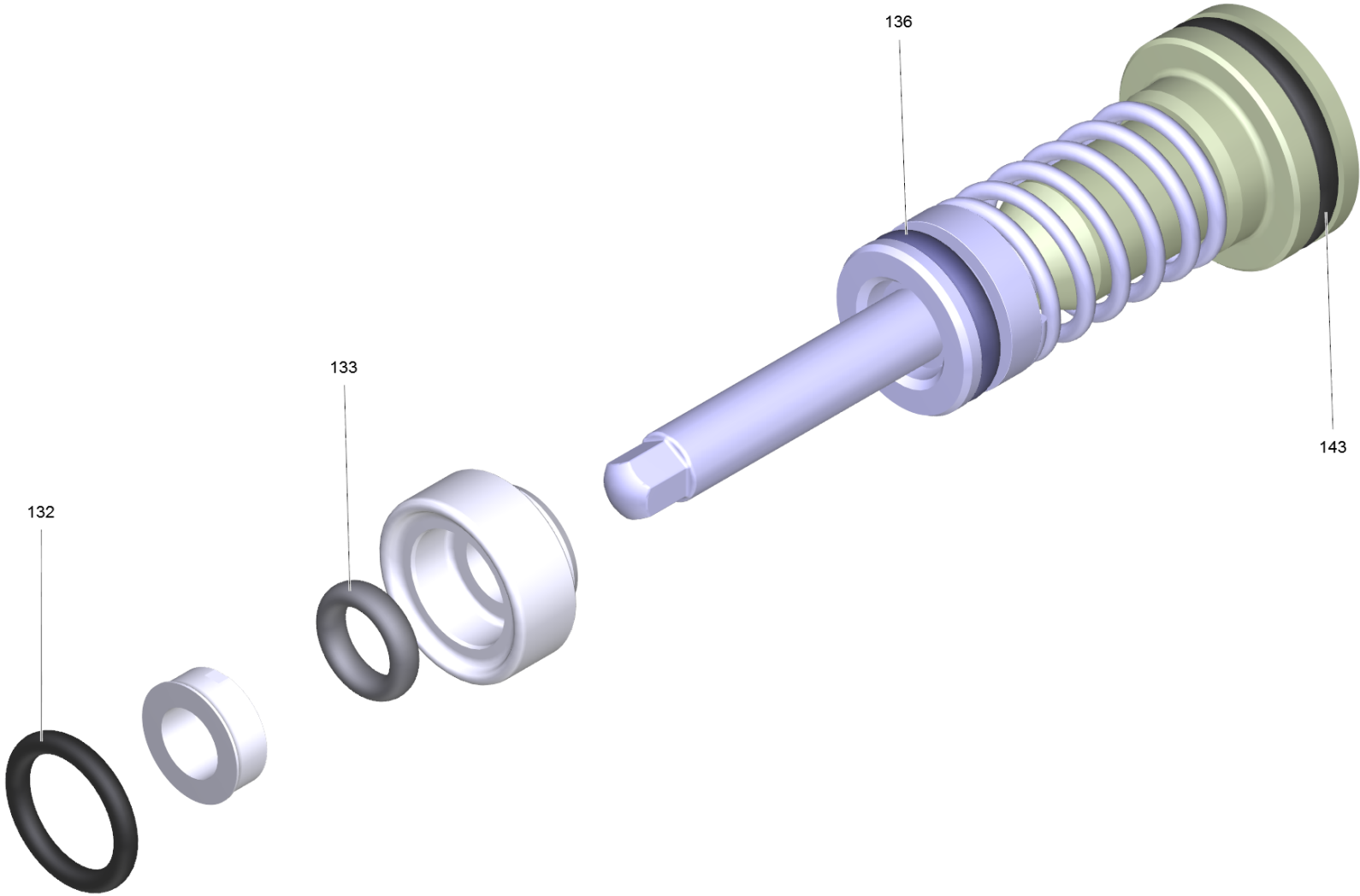
114 Nozzle insert only for replacement (4.769-034.0)

POS	Article no.	Description	Quantity	Unit
23	6.362-384.0	O-Ring seal 9x1,5 - NBR 70	2	PC



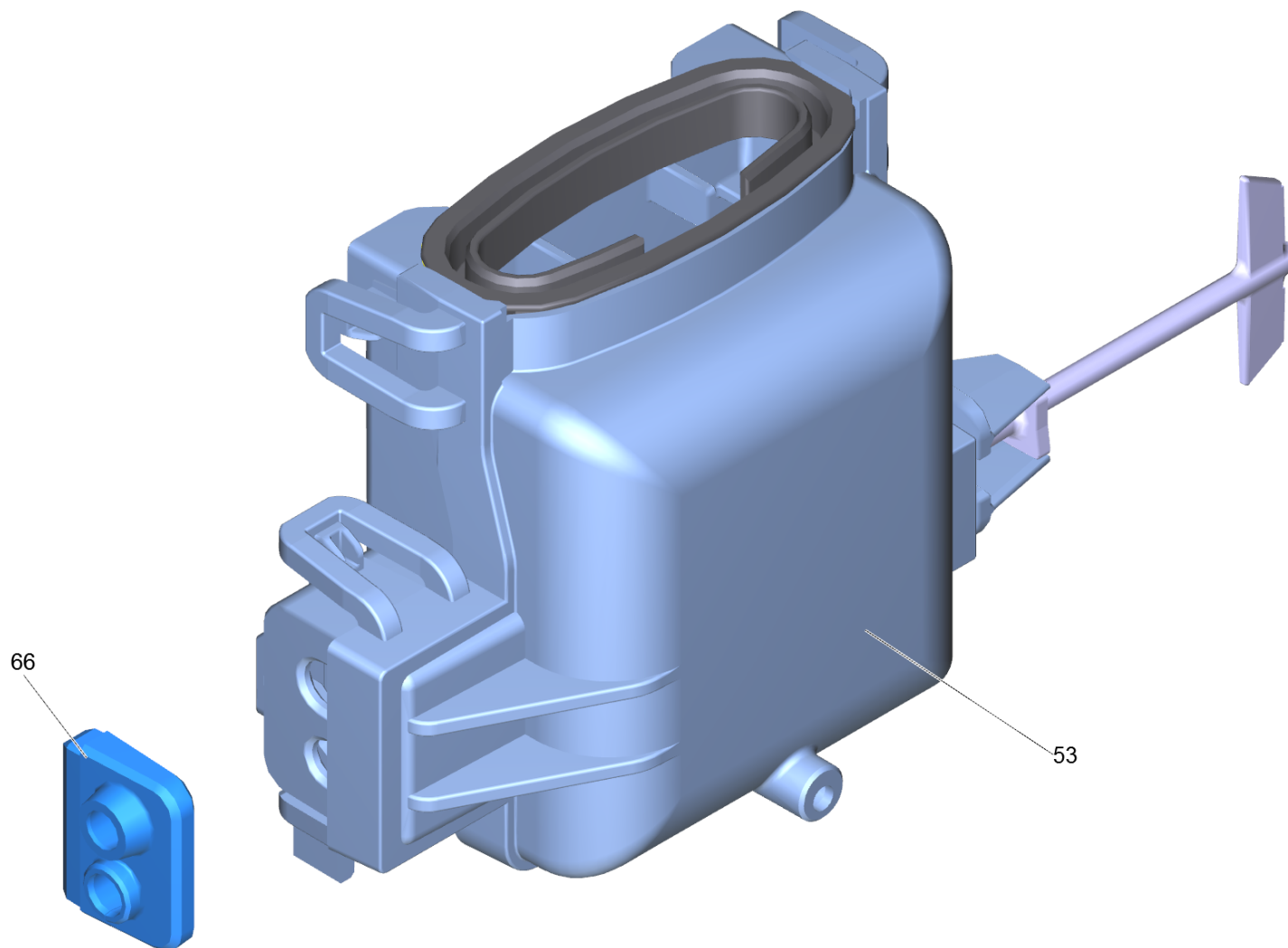
999 Spare parts set excess-current (2.885-186.0)

POS	Article no.	Description	Quantity	Unit
103	2.885-408.0	Control piston complete replacement	1	PC
163	6.362-030.0	O-Ring seal 15x2 90 Shore IRHD	1	PC



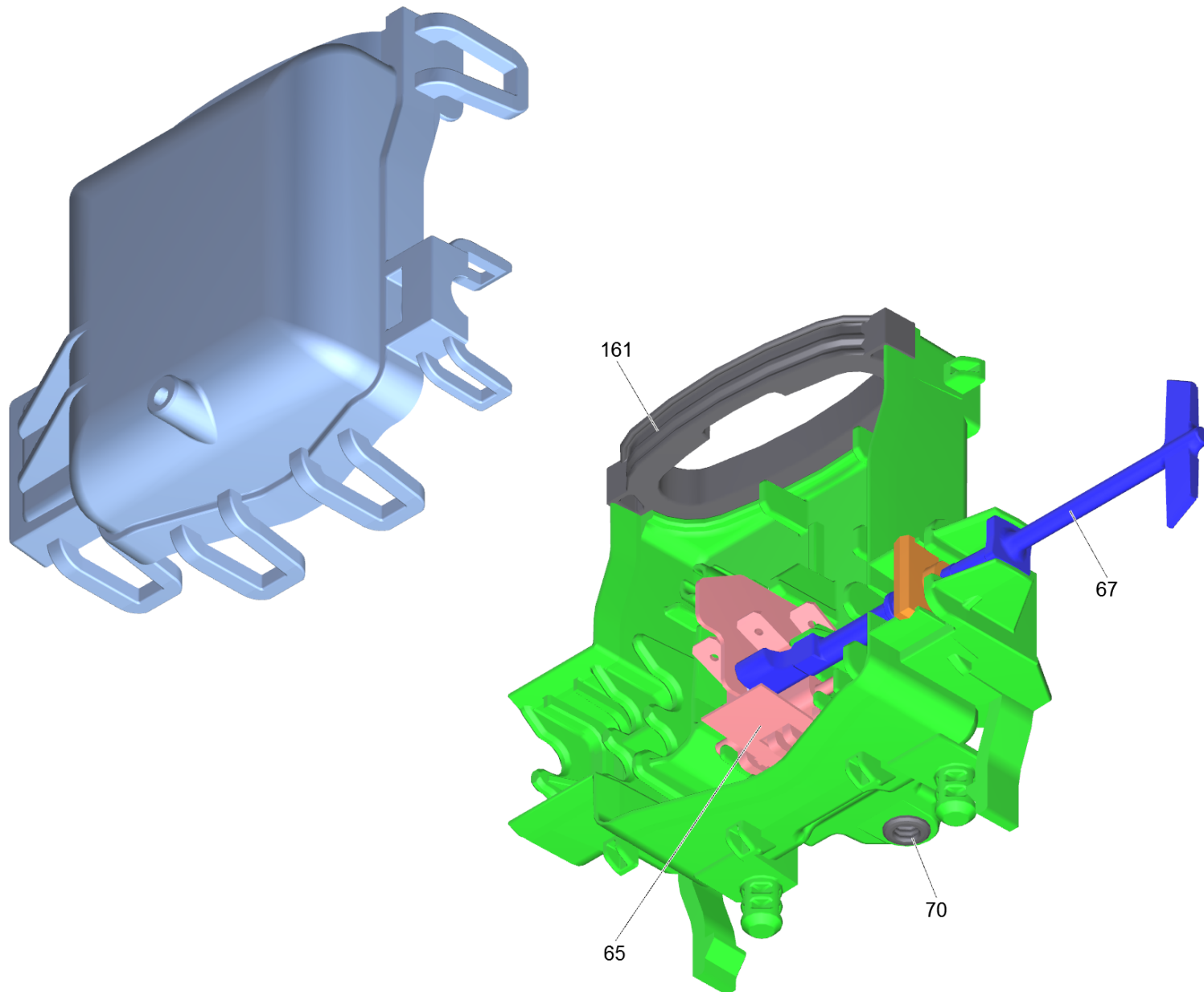
103 Control piston complete replacement (2.885-408.0)

POS	Article no.	Description	Quantity	Unit
132	6.362-101.0	O-Ring seal 8 X 2	1	PC
133	6.363-606.0	O-Ring seal 4,7 x 1,9 -NBR70	1	PC
136	6.363-614.0	O-Ring seal 9 x 2 -NBR90	1	PC
143	6.362-381.0	O-Ring seal 13x2 - NBR 70	1	PC



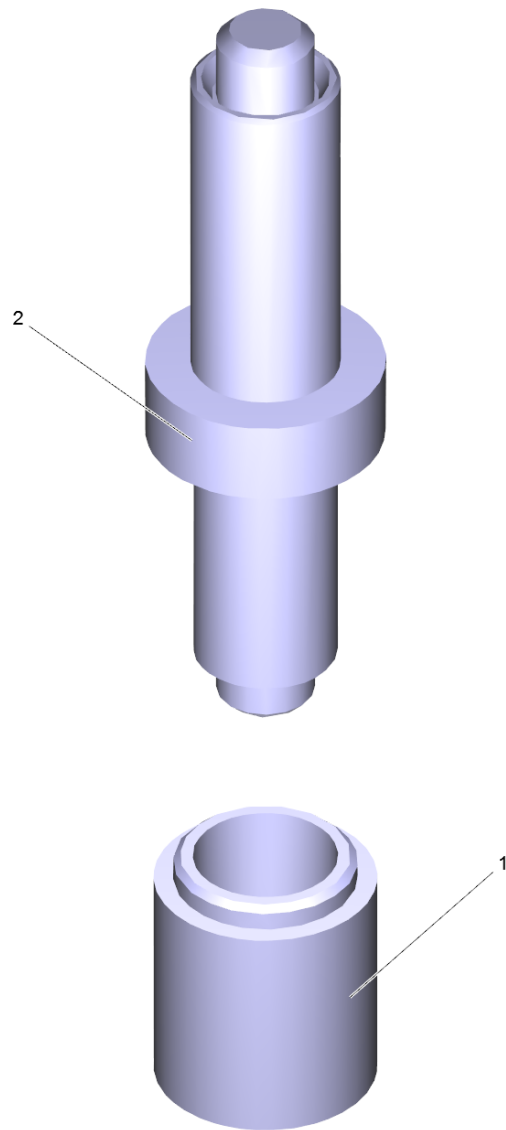
53 Spare parts set electric box (2.885-189.0)

POS	Article no.	Description	Quantity	Unit
40	7.303-235.0	Screw M6x50 -St-A2K (In6Rd)	2	PC
53		Electric box complete	1	PC
66	5.363-744.0	Seal cable	1	PC



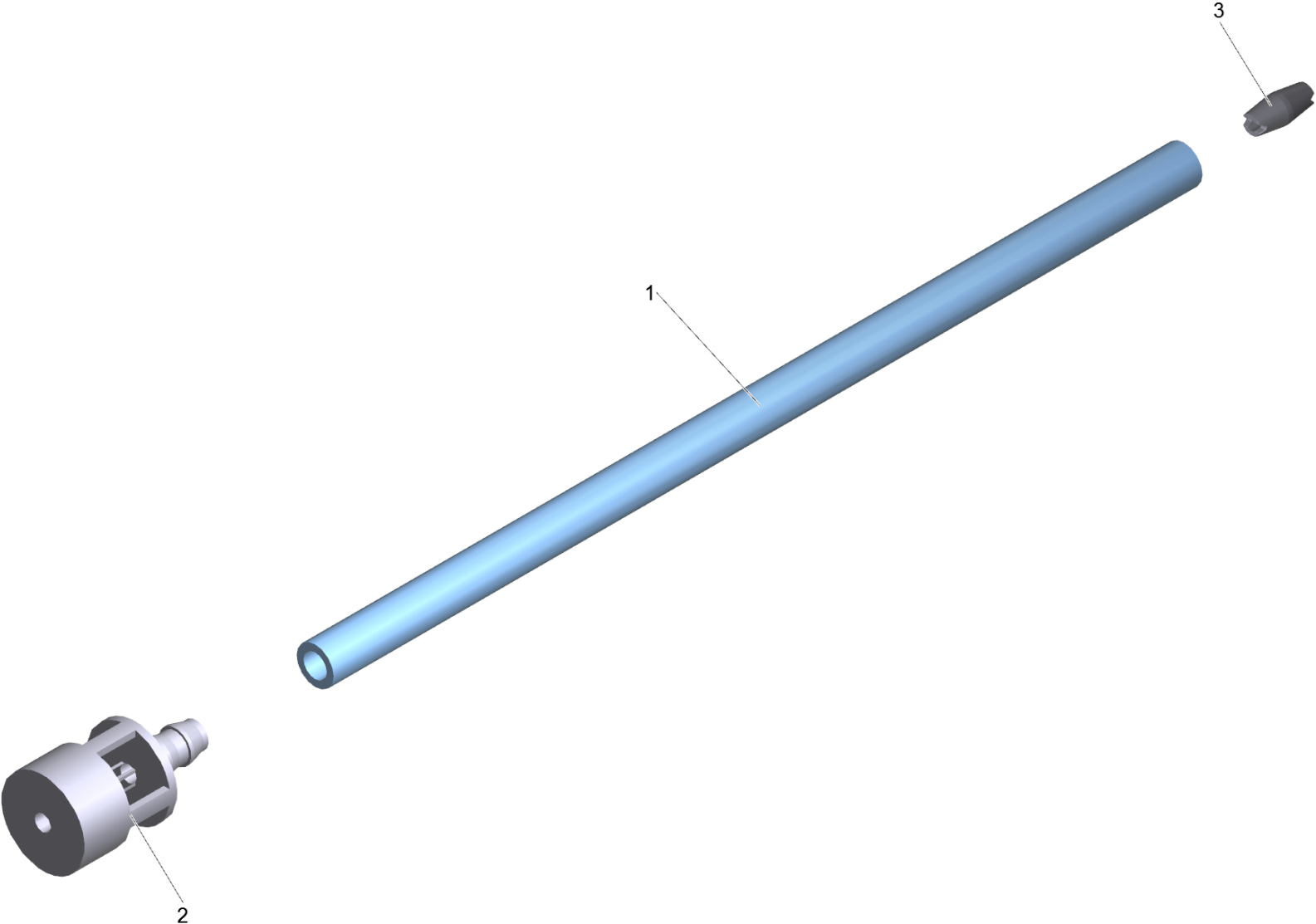
53 Electric box complete

POS	Article no.	Description	Quantity	Unit
65	6.961-079.3	Micro switch	1	PC
67	2.885-190.0	Selector shaft spare parts set	1	PC
70	5.363-749.0	Seal control piston	1	PC
161	5.363-761.0	Seal label	1	PC



901 Tool (2.901-048.0)

POS	Article no.	Description	Quantity	Unit
1	5.901-223.0	Fitting case C=21,4- D=16,9mm	1	PC
2	5.901-224.0	Assembly mandril A=16,8-B=11,5mm	1	PC



118 Hose Detergent Compact NCR

POS	Article no.	Description	Quantity	Unit
1	6.388-216.0	Hose DN 5 (PVC)	0,75	m
2	5.731-652.0	Filter with weight	1	PC
3	9.038-548.0	Flow reducer detergent	1	PC



902 High pressure hose 18MPa/10 60°C QC B (6.396-492.0)

POS	Article no.	Description	Quantity	Unit
1	2.640-729.0	O-Ring seal set	1	PC
