

Spare parts list

(1.198-135.0) VC 3 Premium (white) *EU-I

Table of contents

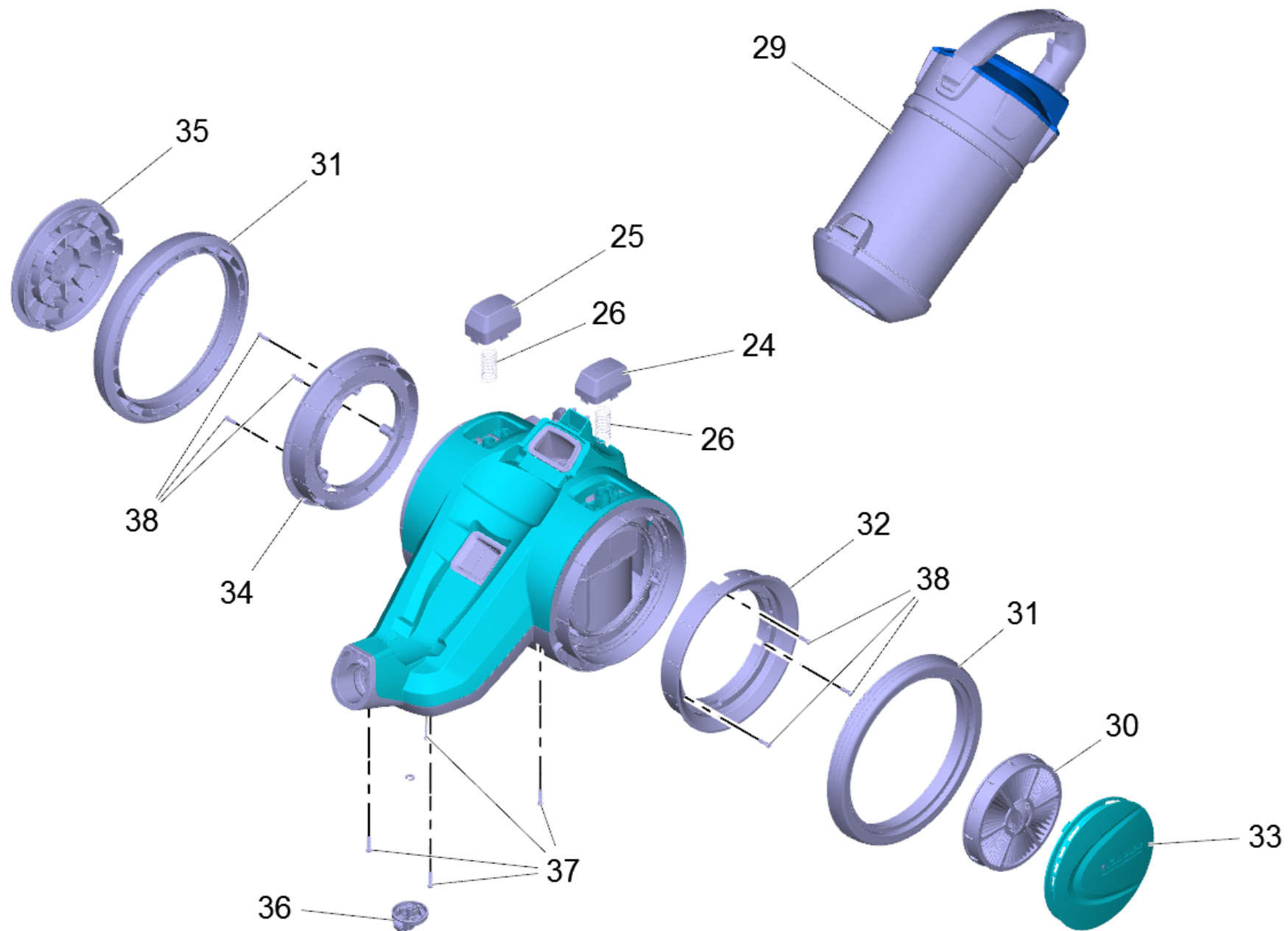
VC 3 Premium (white) *EU-I (1.198-135.0)	3
Short spare parts list	4
Spare parts list VC 3 Premium (white) *E (9.764-432.0)	5
28 Motor complete 230V 700W white-vac	9
1 Motor complete replacement 230V 700W (9.754-183.0)	11
29 Dirt box complete white 230V 700W (9.754-065.0)	13
4 Valve complete white 230V 700W (9.754-090.0)	15
9 Dust tank replacement white (9.754-083.0)	17

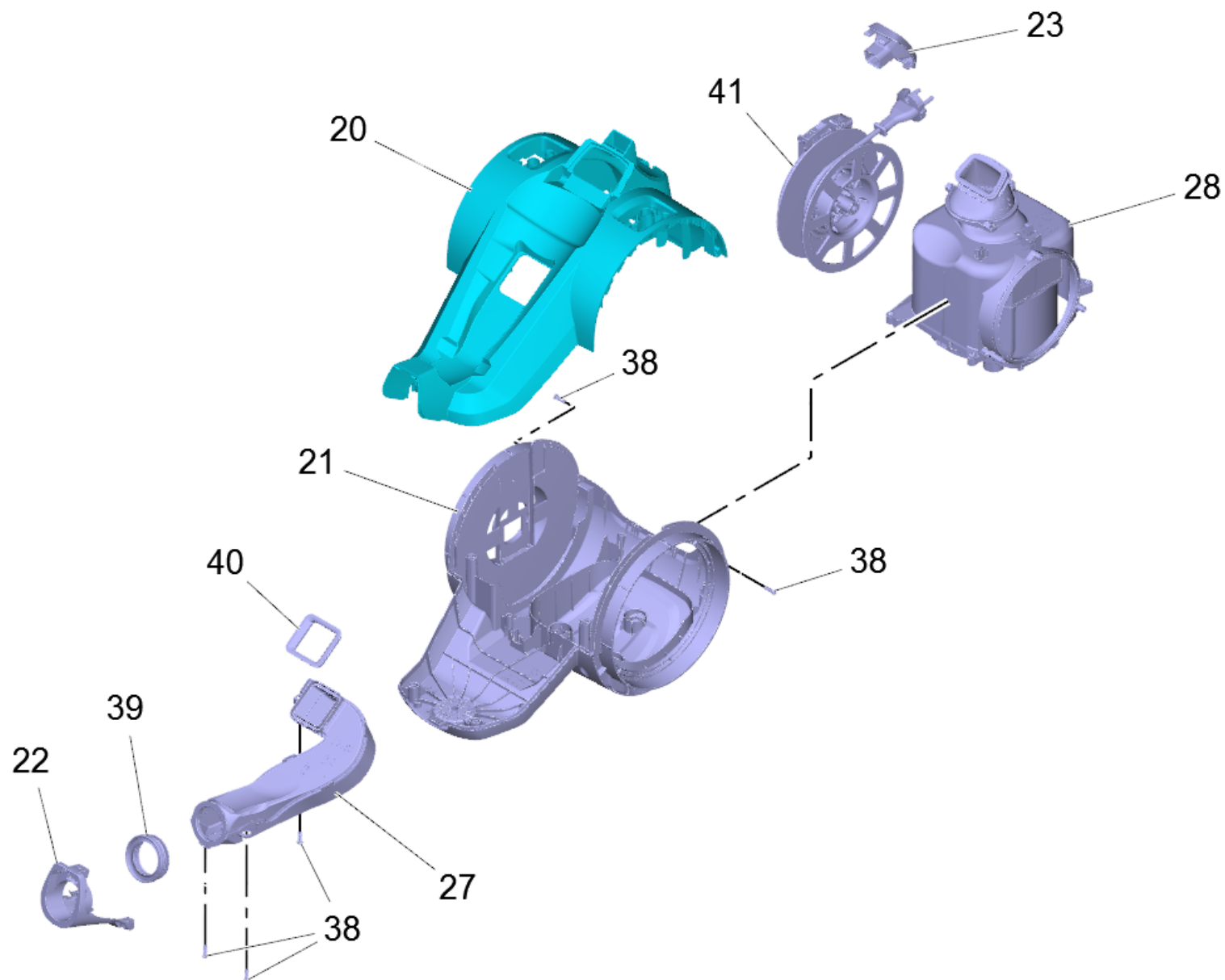
VC 3 Premium (white) *EU-I (1.198-135.0)

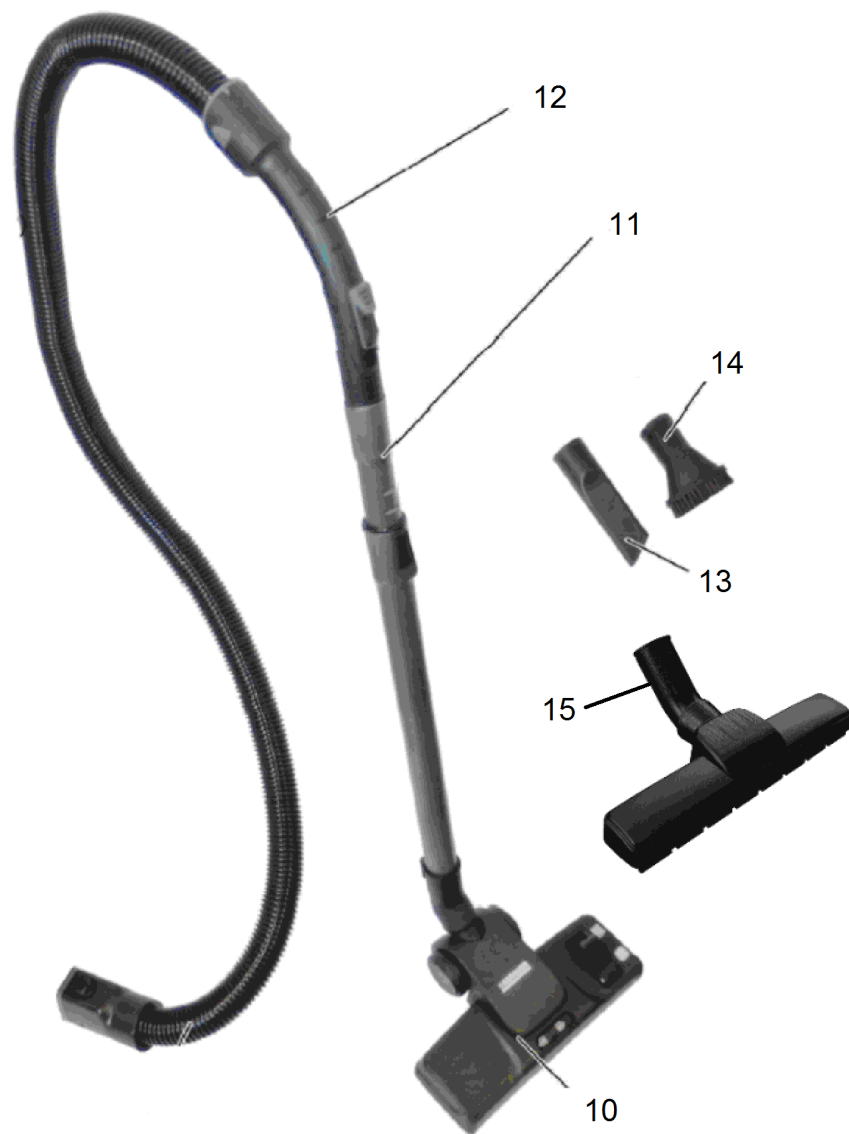
POS	Article no.	Description	Quantity	Unit
0		Short spare parts list	1.000	ST
0	9.764-432.0	Spare parts list VC 3 Premium (white) *E	1.000	ST

Short spare parts list

POS	Article no.	Description	Quantity	Unit
1	2.863-238.0	Filter packaged HEPA 13 VC 3	1.000	ST
2	9.754-062.0	Air outlet cover printed white	1.000	ST
3	9.764-232.0	Covering cap wheel right weiss	1.000	ST
4	9.754-006.0	Suction hose complete VC 3	1.000	ST
5	4.195-222.0	Hand tube complete DS 5.800	1.000	ST
6	9.764-088.0	Telescopic tube 90cm	1.000	ST
7	9.754-072.0	Floor tool printed FB1480	1.000	ST
8	9.764-089.0	Crevice nozzle	1.000	ST
9	9.754-007.0	Round brush	1.000	ST
10	2.863-260.0	Parquet nozzle VC	1.000	ST

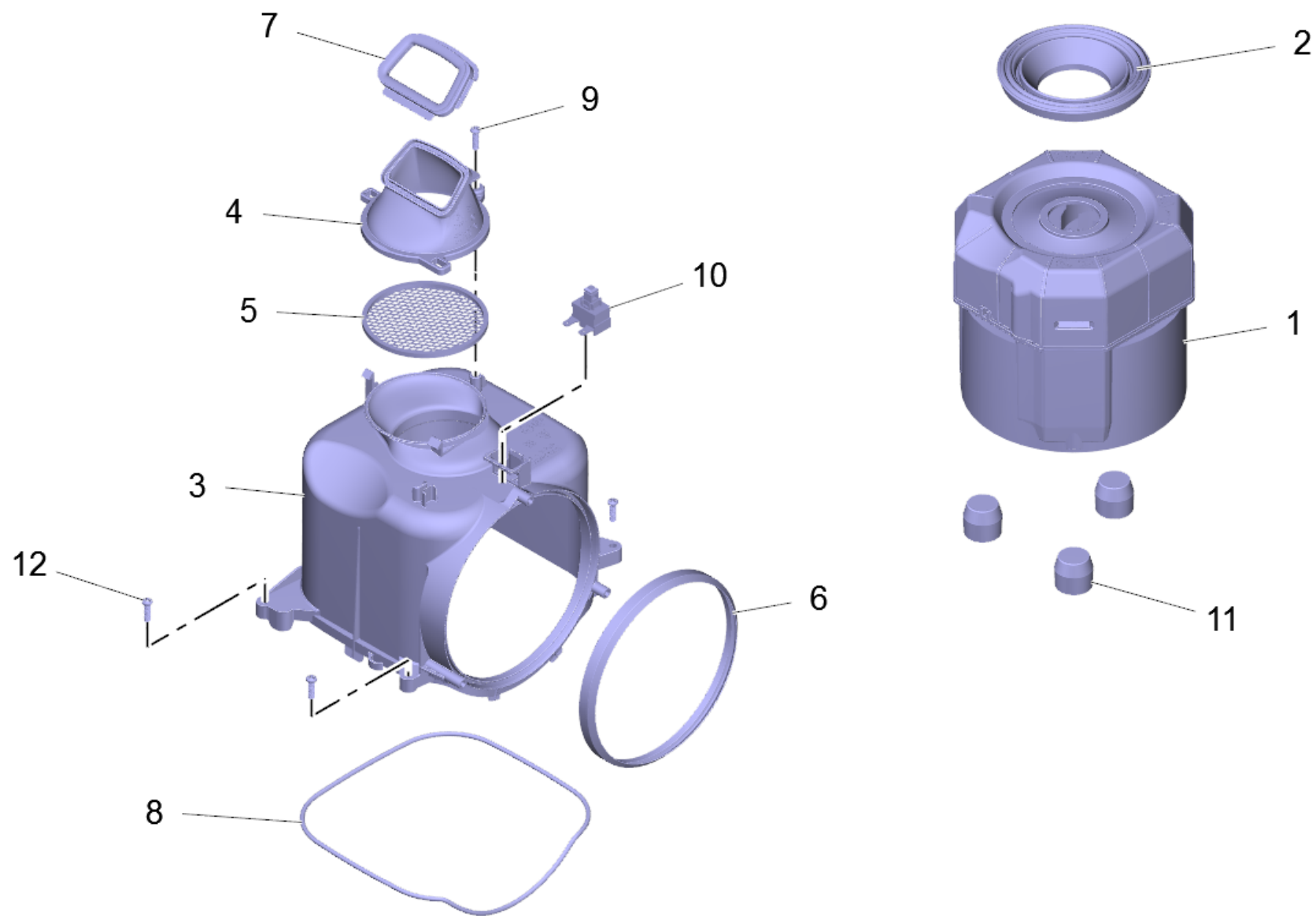






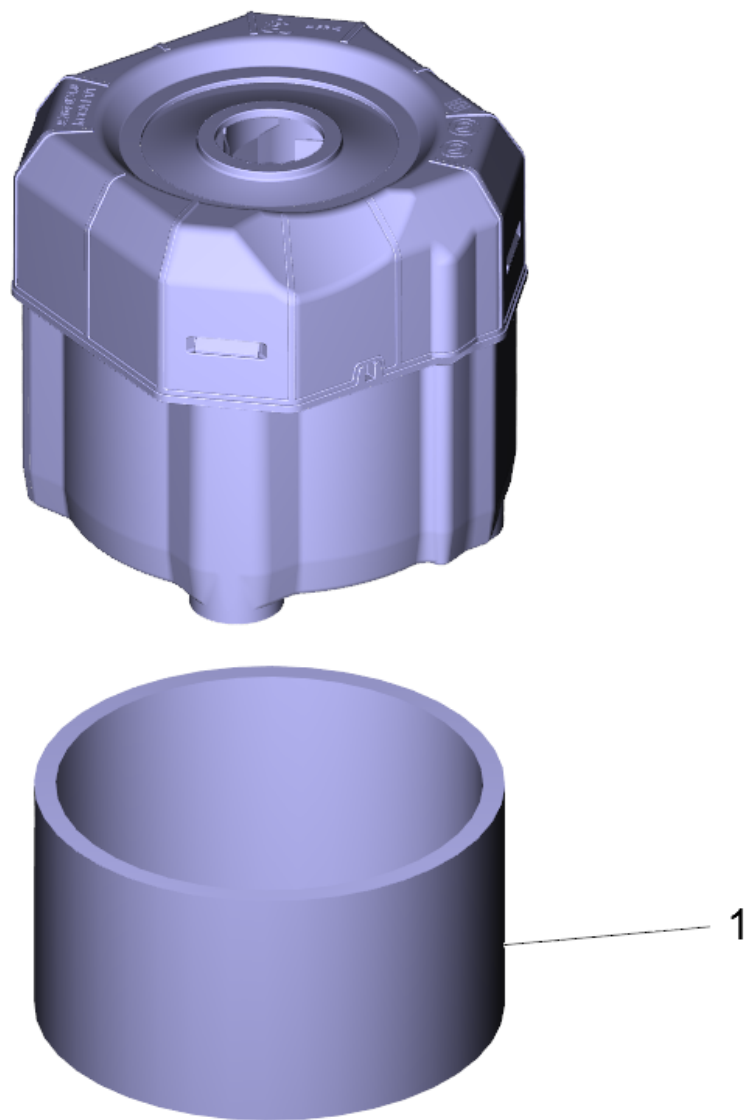
Spare parts list VC 3 Premium (white) *E (9.764-432.0)

POS	Article no.	Description	Quantity	Unit
10	9.754-072.0	Floor tool printed FB1480	1.000	ST
11	9.764-088.0	Telescopic tube 90cm	1.000	ST
12	9.754-006.0	Suction hose complete VC 3	1.000	ST
13	9.764-089.0	Crevice nozzle	1.000	ST
14	9.754-007.0	Round brush	1.000	ST
15	2.863-260.0	Parquet nozzle VC	1.000	ST
20	9.764-219.0	Covering cap white VC 3	1.000	ST
21	9.764-220.0	Housing grey	1.000	ST
22	9.764-333.0	Extraction system fixed grey	1.000	ST
23		Seal air outlet grey	1.000	ST
24	9.764-221.0	Pushbutton power grey	1.000	ST
25	9.764-222.0	Pushbutton cable take-up stand grey	1.000	ST
26	9.764-079.0	Spring pushbutton for replacement	2.000	ST
27	9.754-075.0	Suction channel complete replacement	1.000	ST
28		Motor complete 230V 700W white-vac	1.000	ST
29	9.754-065.0	Dirt box complete white 230V 700W	1.000	ST
30	2.863-238.0	Filter packaged HEPA 13 VC 3	1.000	ST
31	9.754-004.0	Wheel cap VC 3	2.000	ST
32	9.754-055.0	Air outlet printed	1.000	ST
33	9.754-062.0	Air outlet cover printed white	1.000	ST
34	9.764-035.0	Wheel rim wheel right	1.000	ST
35	9.764-232.0	Covering cap wheel right weiss	1.000	ST
36	9.754-005.0	Castor for replacement	1.000	ST
37	9.764-086.0	Screw PBT 4x16 for replacement	4.000	ST
38	9.764-082.0	Screw PBT 4x12 for replacement	11.000	ST
39	9.764-078.0	Seal extraction system fixed replacement	1.000	ST
40	9.764-084.0	Seal air intake black for replacement	1.000	ST
41	9.754-020.0	Cable take-up stand VC 3 *KAP *EU 2x0,75	1.000	ST



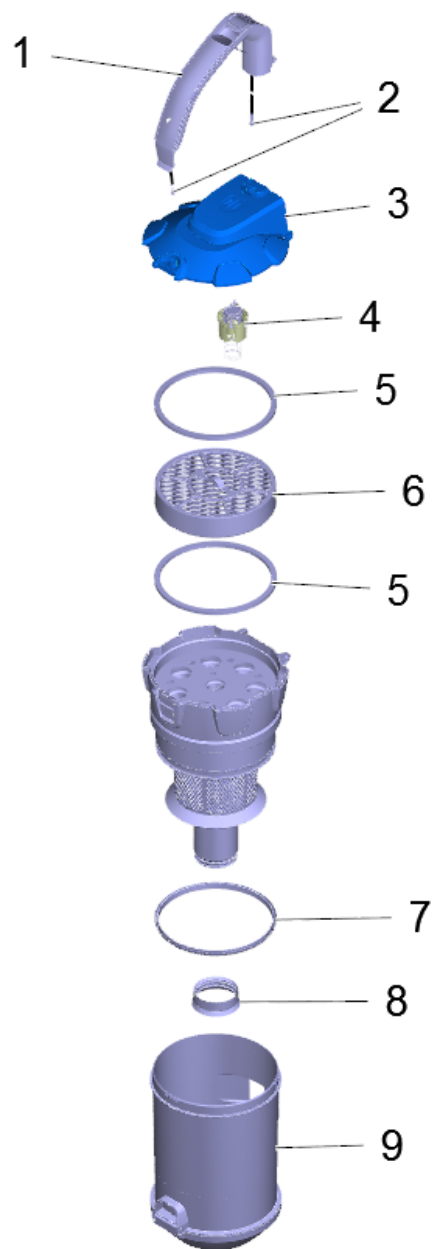
28 Motor complete 230V 700W white-vac

POS	Article no.	Description	Quantity	Unit
1	9.754-183.0	Motor complete replacement 230V 700W	1.000	ST
2	9.764-124.0	Ring sealing motor for replacement	1.000	ST
3	9.764-027.0	Housing motor	1.000	ST
4	9.764-026.0	Inlet pipe motor motor	1.000	ST
5	9.754-009.0	Grate intake motor	1.000	ST
6	9.764-033.0	Sealing ring seal HEPA	1.000	ST
7	9.764-355.0	Outlet seal dust box grey	1.000	ST
8	9.764-127.0	Seal motor housing for replacement	1.000	ST
9	9.764-082.0	Screw PBT 4x12 for replacement	1.000	ST
10	9.764-074.0	POWER SWITCH for replacement	1.000	ST
11	9.764-118.0	Motor base for replacement	3.000	ST
12	9.764-086.0	Screw PBT 4x16 for replacement	4.000	ST



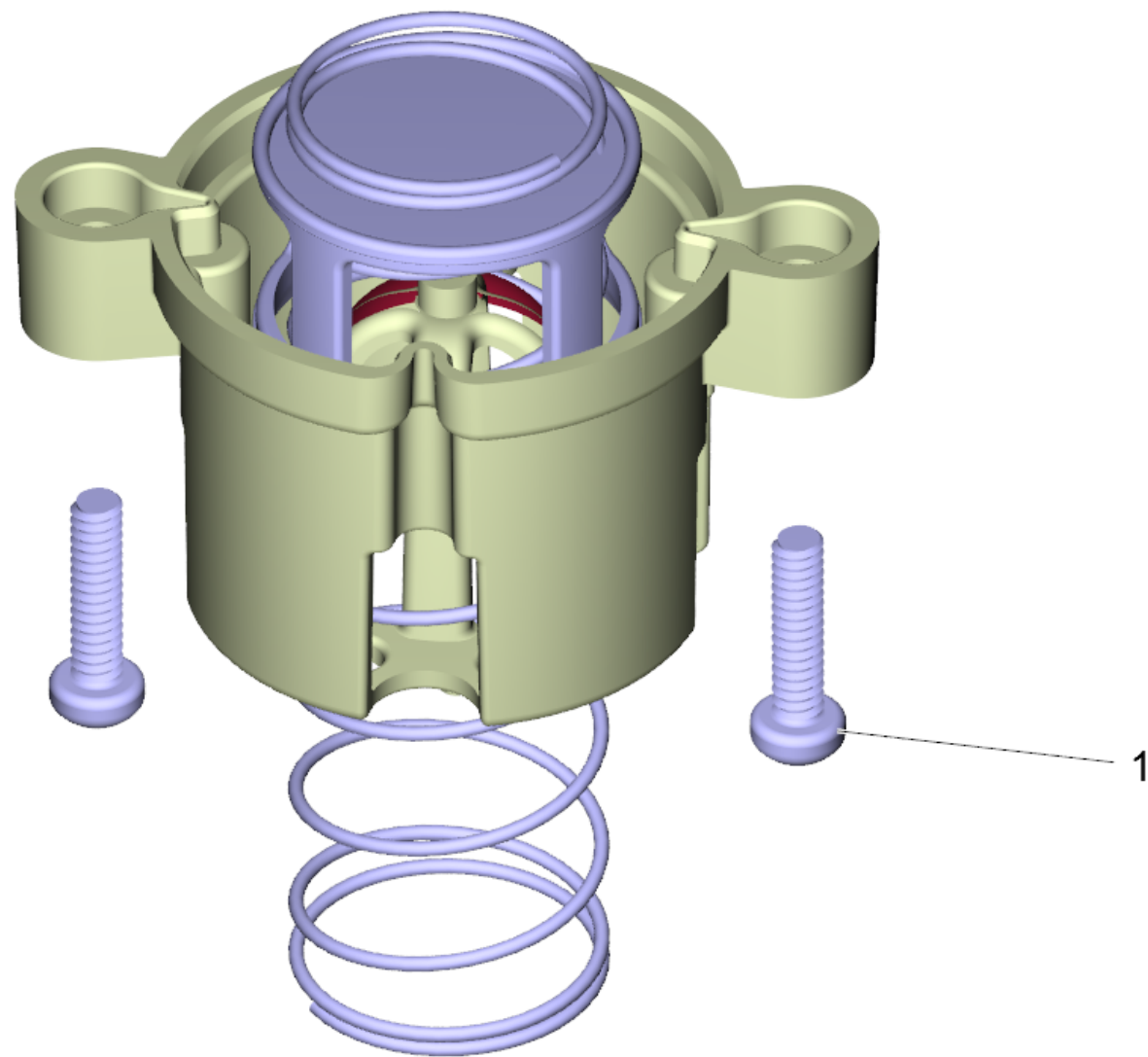
1 Motor complete replacement 230V 700W (9.754-183.0)

POS	Article no.	Description	Quantity	Unit
1	9.764-592.0	Insulation motor bottom	1.000	ST



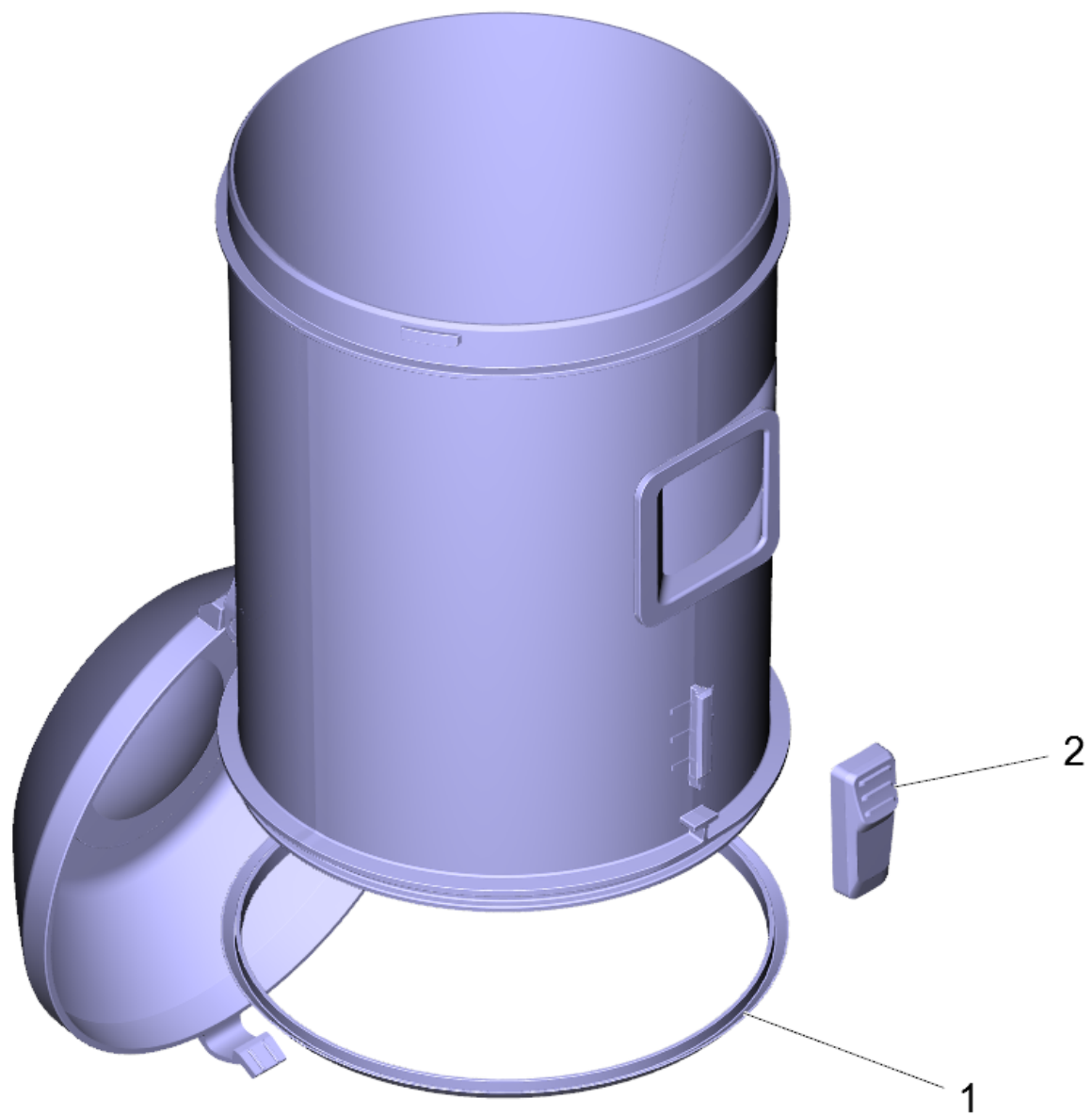
29 Dirt box complete white 230V 700W (9.754-065.0)

POS	Article no.	Description	Quantity	Unit
1	9.754-081.0	Hand grip complete grey	1.000	ST
2	9.764-213.0	Screw PBT 3x12 for replacement	2.000	ST
3	9.764-226.0	Cover dust box white	1.000	ST
4	9.754-090.0	Valve complete white 230V 700W	1.000	ST
5	9.764-131.0	Cover seal for replacement	2.000	ST
6	9.754-011.0	INLET FILTER ASM for replacement	1.000	ST
7	9.764-358.0	Seal dust box yellow	1.000	ST
8	9.764-359.0	INNER DUST BIN SEALING YELLOW	1.000	ST
9	9.754-083.0	Dust tank replacement white	1.000	ST



4 Valve complete white 230V 700W (9.754-090.0)

POS	Article no.	Description	Quantity	Unit
1	9.764-213.0	Screw PBT 3x12 for replacement	2.000	ST



9 Dust tank replacement white (9.754-083.0)

POS	Article no.	Description	Quantity	Unit
1	9.764-360.0	Seal bottom yellow	1.000	ST
2	9.764-345.0	Pushbutton door NC contact white	1.000	ST