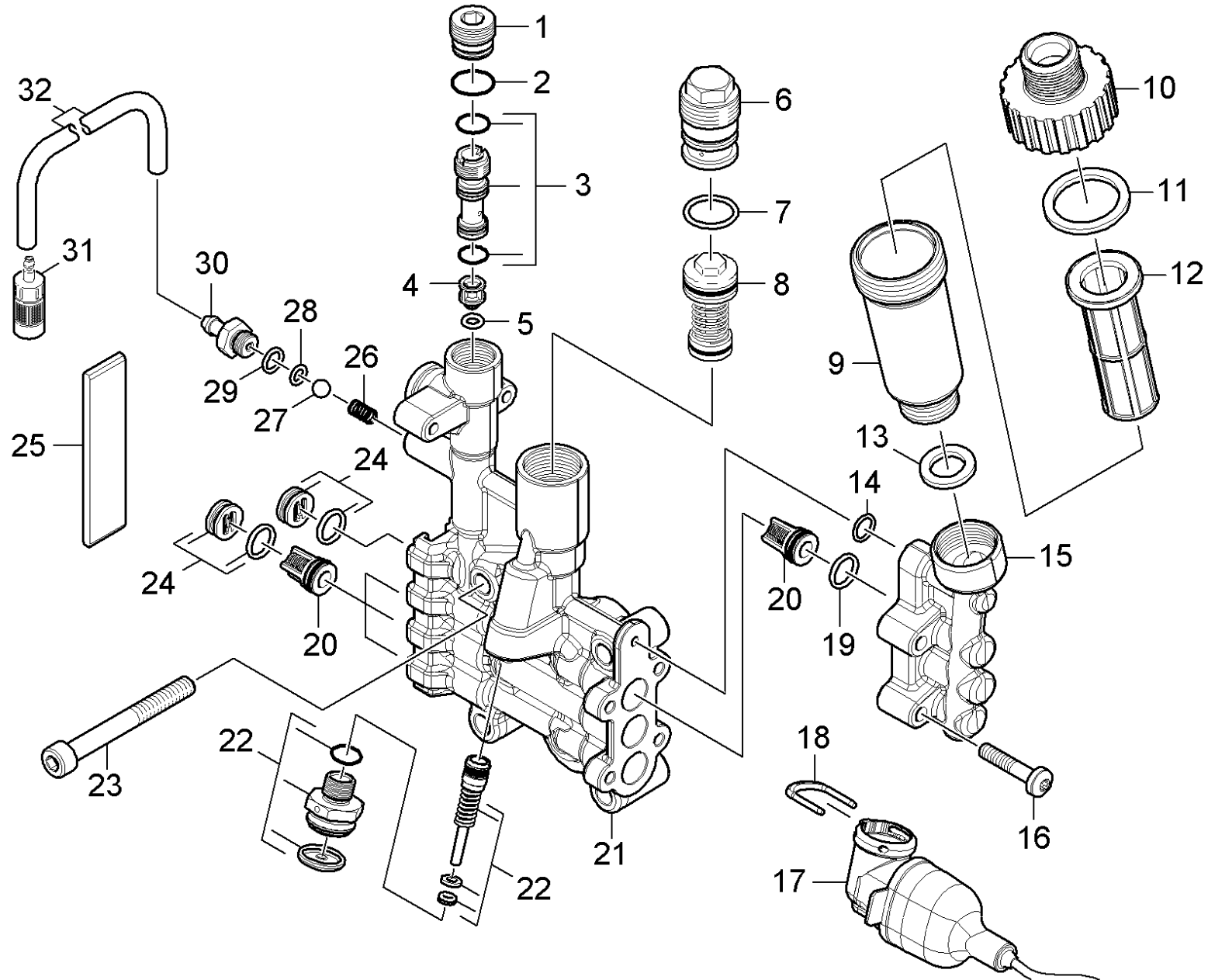


21 Cylinder head

Professional \ High pressure cleaner hotwater \ Electric motor \ HDS 5/15 U Plus *EU \ Spare parts list HDS 5/15 U Plus *EU \ Pump set \ Cylinder head



21 Cylinder head

Professional \ High pressure cleaner hotwater \ Electric motor \ HDS 5/15 U Plus *EU \ Spare parts list HDS 5/15 U Plus *EU \ Pump set \ Cylinder head



POS	Article no.	Description	Quantity	Unit	Foot note text
1	5.411-171.0	Screw plug	1.000	ST	
2	6.362-480.0	O-Ring seal 12,42x 1,78	1.000	ST	
3	4.769-034.0	Nozzle insert only for replacement	1.000	ST	
4	4.584-022.0	Valve pin complete	1.000	ST	
5	6.363-613.0	O-Ring seal 4 x 2 -NBR90	1.000	ST	
6	5.411-172.0	Screw plug	1.000	ST	
7	6.362-989.0	O-Ring seal 18x2 - NBR 80	1.000	ST	
8	4.591-038.0	Overflow valve	1.000	ST	
9	5.731-003.0	Filter housing brass	1.000	ST	
10	5.064-462.0	Cover water intake	1.000	ST	
11	5.363-336.0	Seal	1.000	ST	
12	5.731-587.0	Water filter	1.000	ST	
13	6.363-707.0	Flat gasket 24x17x2	1.000	ST	
14	6.362-384.0	O-Ring seal 9x1,5 - NBR 70	1.000	ST	
15	5.064-383.0	Suction cover	1.000	ST	
16	7.306-105.0	Screw M6x30 -8.8-R3R (In6Rd)	4.000	ST	
17	4.744-242.0	Switch kpl. -nur für Ersatz-	1.000	ST	
18	5.034-494.0	Retaining bracket	1.000	ST	
19	6.362-533.0	O-Ring seal 14,0 X 1,5-NBR 70	3.000	ST	
20	2.884-916.0	Valve (3 Stück)	2.000	ST	SET WITH 3 PIECES
21	5.550-372.0	Cylinder head	1.000	ST	
22	2.885-220.0	Spare part set control piston	1.000	ST	
23	7.306-106.0	Cylinder head screw M8x70 -8.8-A2E ISO4	4.000	ST	
24	4.132-007.0	Drain plug only for replacement	4.000	ST	
25	5.003-062.0	Plate	1.000	ST	
26	5.332-258.0	Helical spring	1.000	ST	
27	7.401-908.0	Sphere 7 G300 -1.4301 DIN 5401	1.000	ST	
28	6.363-597.0	O-Ring seal 5,28 x 1,78	1.000	ST	
29	6.362-113.0	O-Ring seal 6,0 x 2,0 NBR 70	1.000	ST	
30	5.443-624.0	Nipple	1.000	ST	
31	4.862-225.0	Filter chemistry regulation	1.000	ST	
32	6.388-216.0	Hose DN 5	1.000	M	TO ORDER AS CUT GOODS
100	2.883-997.0	PUMP SET HD 5/12 C	1.000	ST	