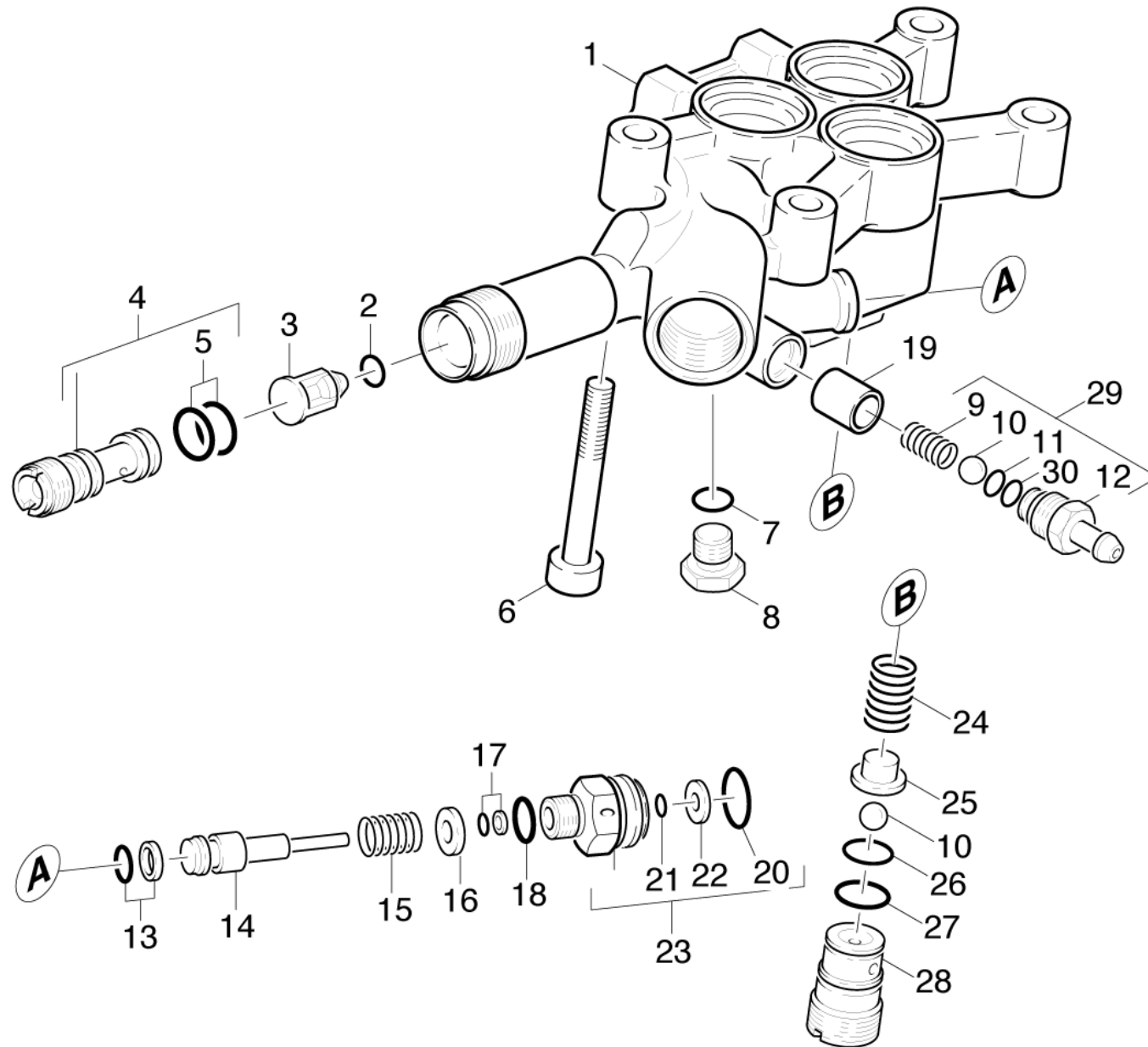


21 Cylinder head

Overview technical documents/Professional/High pressure cleaner cold water/Electric motor/HD 690

*EU (1.151-102.0)/Spare parts list HD 690 400V 3 PH 50 H/20 Pump set/21 Cylinder head



21 Cylinder head

Overview technical documents/Professional/High pressure cleaner cold water/Electric motor/HD 690

*EU (1.151-102.0)/Spare parts list HD 690 400V 3 PH 50 H/20 Pump set/21 Cylinder head

Rez.daļas/nodil.pakļ.daļas	Poz.	Materiāla Nr.	Nosaukums	Daudzums	Pārdoš. vienība	no sēr. Nr..	līdz sēr. Nr.
	1	5.550-265.0	Cilindra galva	1.000	ST	0000000000	0000000000
X	2	6.363-613.0	Gredzenblīve 4 x 2 -NBR90	1.000	ST	0000000000	0000000000
	3	5.584-091.0	Pretvārsta ass	1.000	ST	0000000000	0000000000
	4	4.769-034.0	Nozzle insert only for replacement	1.000	ST	0000000000	0000000000
	5	6.362-384.0	Gredzenblīve 9x1,5 - NBR 70	2.000	ST	0000000000	0000000000
	6	7.306-047.0	Cil. galvas skr. M8x60 -8.8-A2E ISO4	4.000	ST	0000000000	0000000000
	7	6.362-101.0	Gredzenblīve 8 X 2	1.000	ST	0000000000	0000000000
	8	5.411-070.0	Vītņtapa	1.000	ST	0000000000	0000000000
	9	5.332-258.0	Spirālveida atspere	1.000	ST	0000000000	0000000000
	10	7.401-908.0	Sfēra 7 G300 -1.4301 DIN 5401	1.000	ST	0000000000	0000000000
	11	6.362-175.0	Gredzenblīve 5,28x 1,78	1.000	ST	0000000000	0000000000
	12	5.443-448.0	Nipple chemistry	1.000	ST	0000000000	0000000000
X	13	6.362-467.0	Gredzenblīve, pilns komplekts 1ST.-R.	1.000	ST	0000000000	0000000000
	14	4.553-183.0	Piston complete	1.000	ST	0000000000	0000000000
	15	5.332-157.0	Spirālveida atspere	1.000	ST	0000000000	0000000000
	16	5.115-616.0	Washer	1.000	ST	0000000000	0000000000
X	17	6.362-587.0	Gredzenblīve, pilns kompl. 2,9 -NBR 70	1.000	ST	0000000000	0000000000
	18	6.362-528.0	Gredzenblīve 9,5 X 2,0	1.000	ST	0000000000	0000000000
	19	5.110-714.0	Uzmava	1.000	ST	0000000000	0000000000
	20	6.362-634.0	O-ring seal	1.000	ST	0000000000	0000000000
	21	6.362-586.0	O-ring seal	1.000	ST	0000000000	0000000000
	22	5.115-597.0	Washer	1.000	ST	0000000000	0000000000
	23	4.411-008.0	Screw plug	1.000	ST	0000000000	0000000000
	24	5.332-203.0	Spirālveida atspere	1.000	ST	0000000000	0000000000
	25	5.582-119.0	Valve disc	1.000	ST	0000000000	0000000000

21 Cylinder head

Overview technical documents/Professional/High pressure cleaner cold water/Electric motor/HD 690

*EU (1.151-102.0)/Spare parts list HD 690 400V 3 PH 50 H/20 Pump set/21 Cylinder head

Rez.daļas/nodil.pakļ.daļas	Poz.	Materiāla Nr.	Nosaukums	Daudzums	Pārdoš. vienība	no sēr. Nr..	līdz sēr. Nr.
	26	6.363-273.0	Gredzenblīve 11,0 x 2,0	1.000	ST	0000000000	0000000000
	27	6.362-169.0	Gredzenblīve 12,0 X 2,0	1.000	ST	0000000000	0000000000
	28	5.583-187.0	Vārsta skrūve	1.000	ST	0000000000	0000000000
	29	2.883-862.0	Spare part set chemistry	1.000	ST	0000000000	0000000000
	30	6.362-451.0	O-Ring seal 8,0 x 1,0	1.000	ST	0000000000	0000000000
	100	2.883-869.0	pump set	1.000	ST	0000000000	0000000000