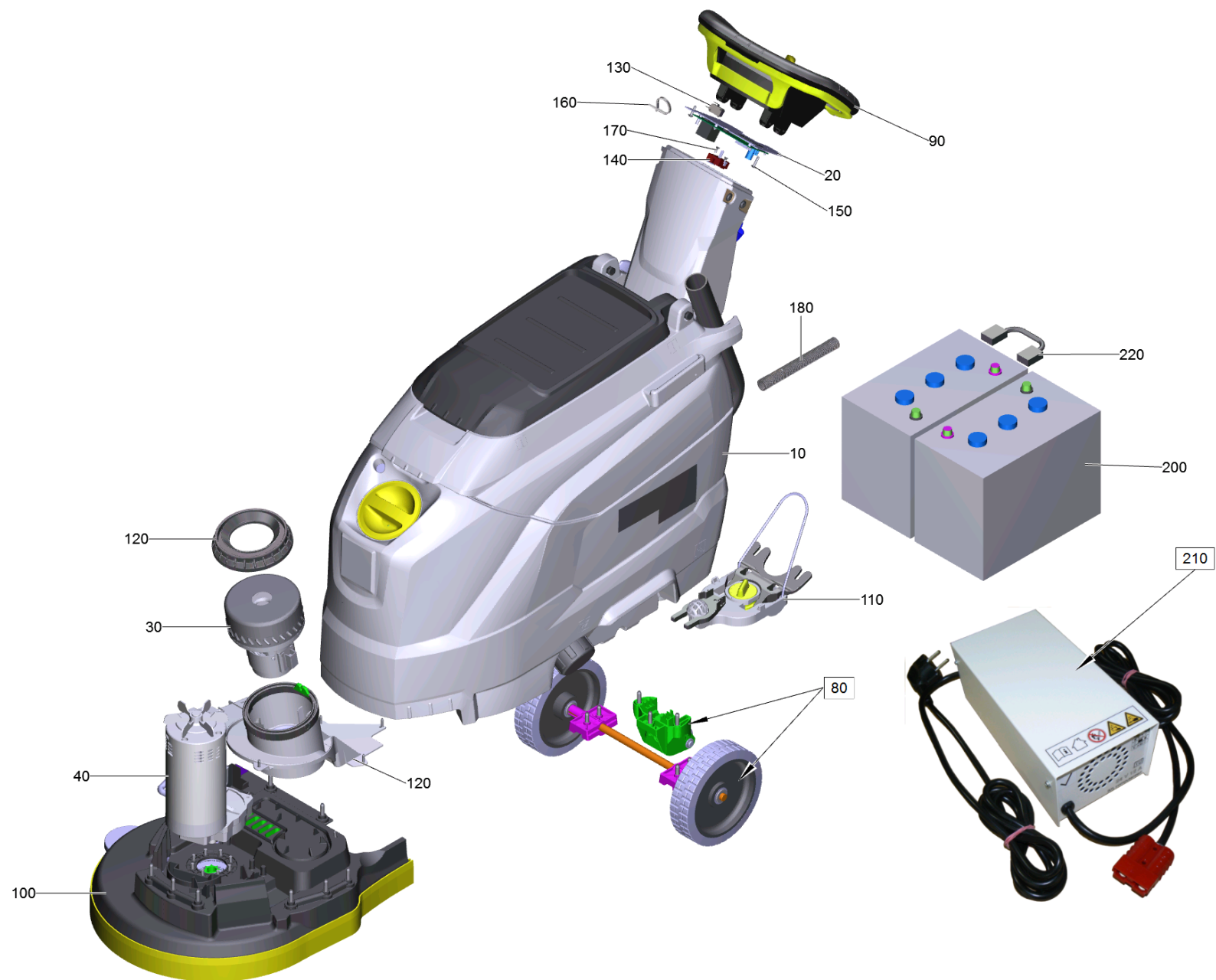


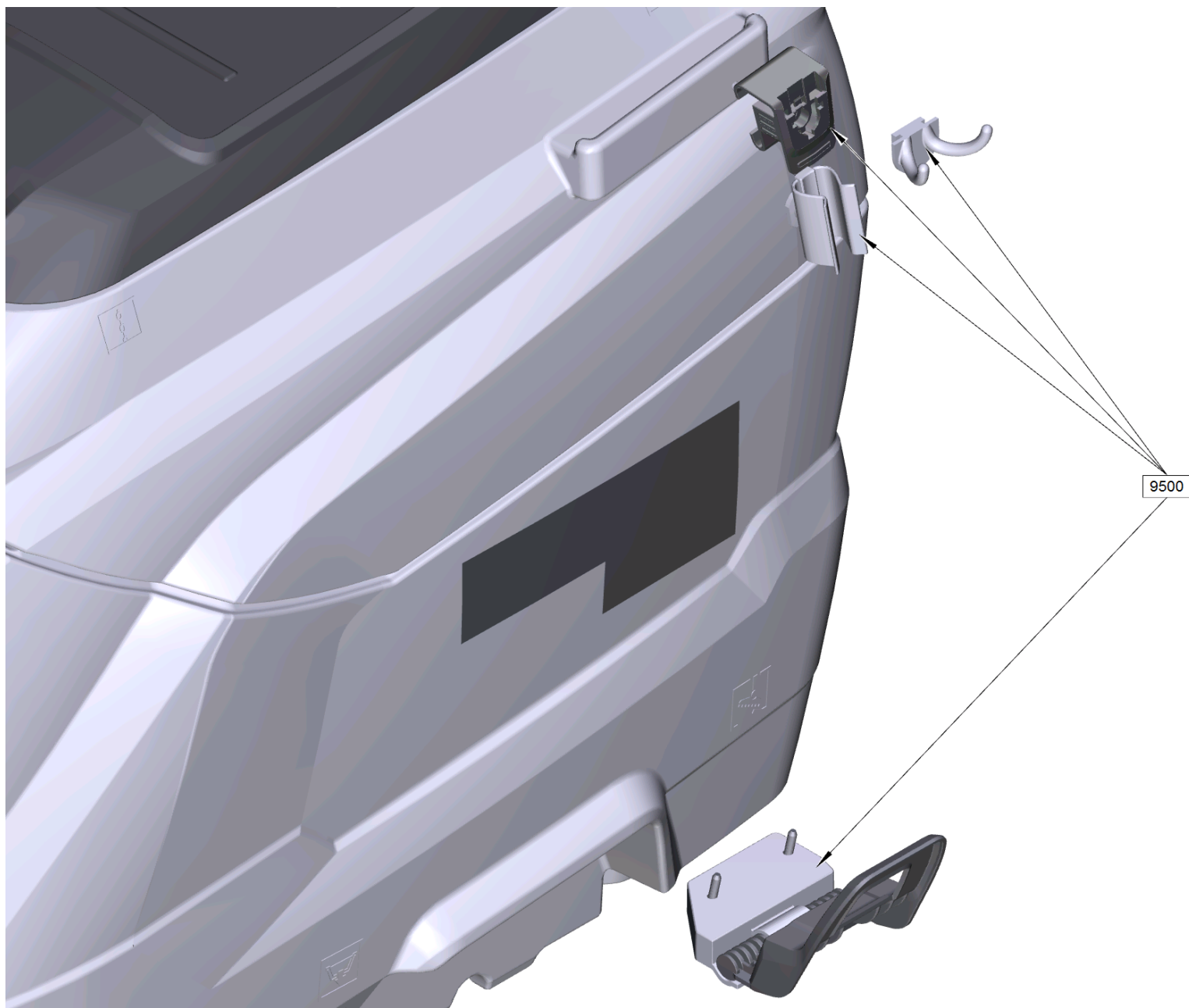
Spare parts list

(1.515-403.0) BD 43/25 C Bp Pack *EU

Table of contents

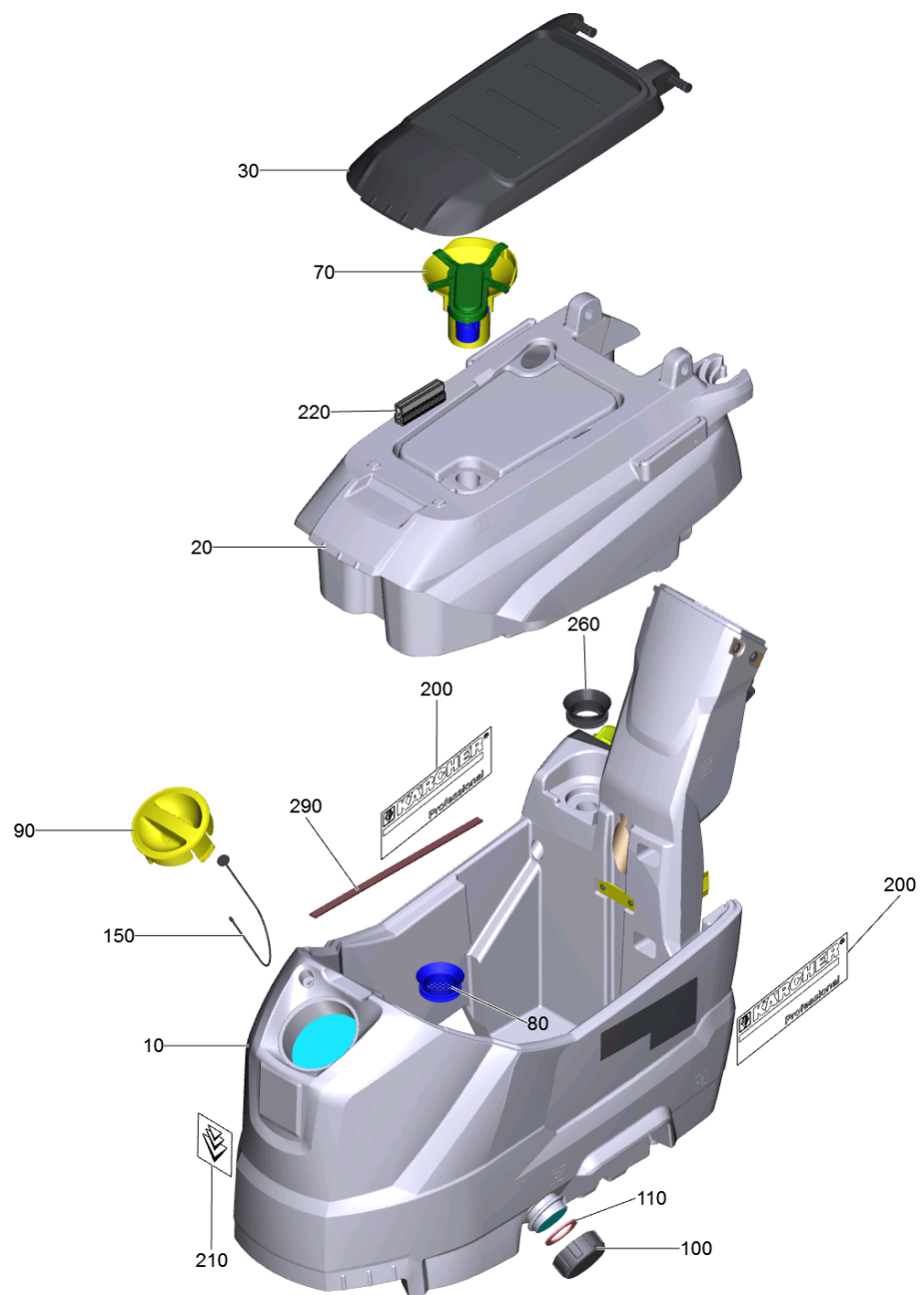
BD 43/25 C Bp Pack *EU (1.515-403.0)	3
10 Tank complete B 25 Bp	6
30 Cap of a tank waste water replacement (9.755-479.0)	12
70 Float regulator complete	14
120 Solenoid valve complete replacement BD25 (9.753-101.0)	16
140 Drain hose with cover replacement (9.755-638.0)	18
10 Tank complete B 25 BP	20
30 Cap of a tank waste water replacement (9.755-479.0)	26
70 Float regulator complete	28
120 Ball valve complete B 25	30
140 Drain hose with cover replacement (9.755-638.0)	32
20 Electricics complete Bp (9.753-007.0)	34
30 Vacuum motor replacement (4.035-420.0)	37
40 Gear motor replacement 24V Hengye (9.755-519.0)	39
80 Carriage B 25 C Classic	40
90 Control panel B 25 C Bp	42
100 Brush-head complete B 25	44
40 Disc brush complete red D43 (4.905-022.0)	48
110 Suction bar lifting complete	49
120 Retainer turbine complete B50 CS	51
230 Add-on kit drain hose ball valve BD 43 (2.643-977.0)	54
9500 Mop holder complete (9.753-023.0)	56

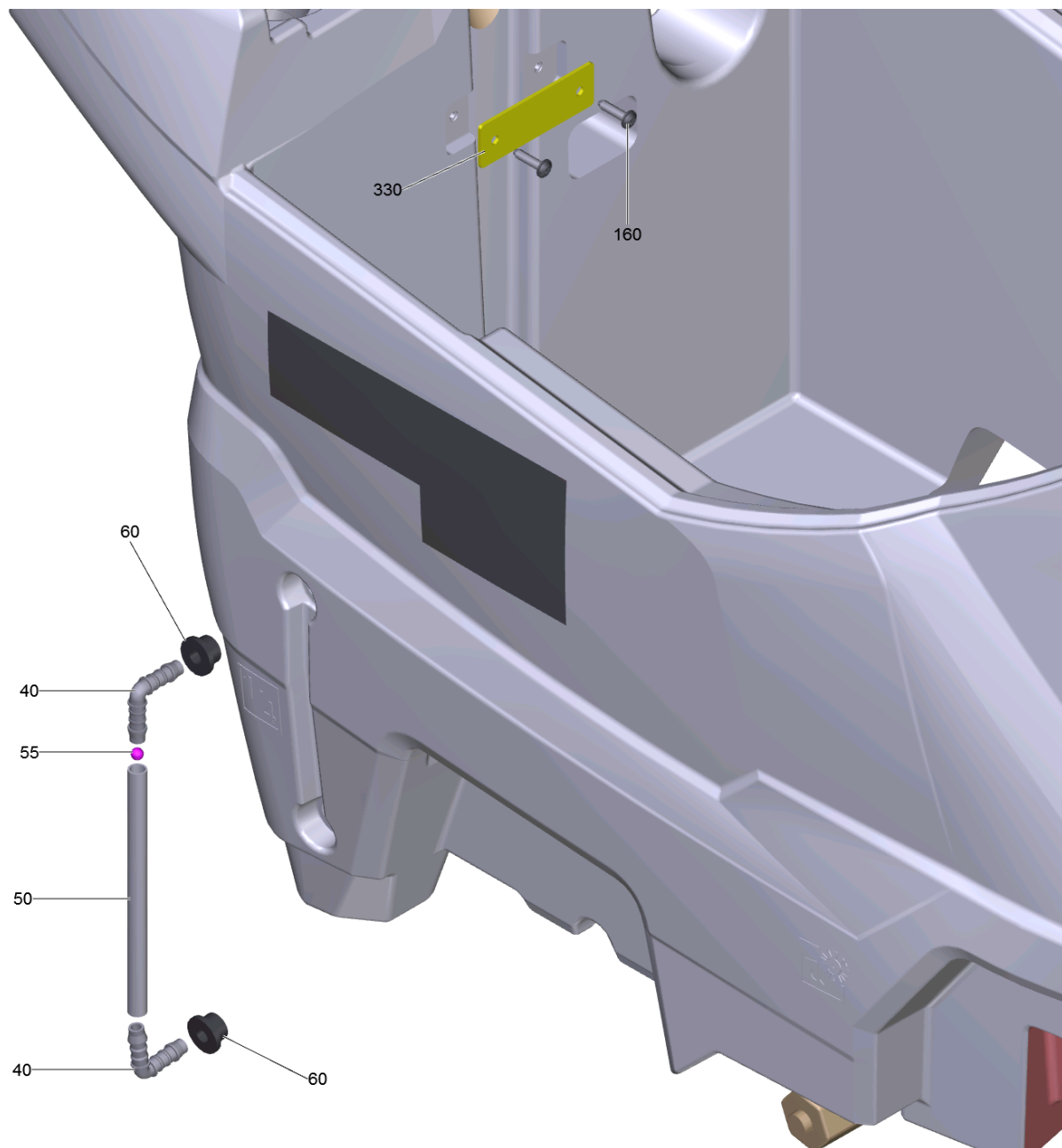


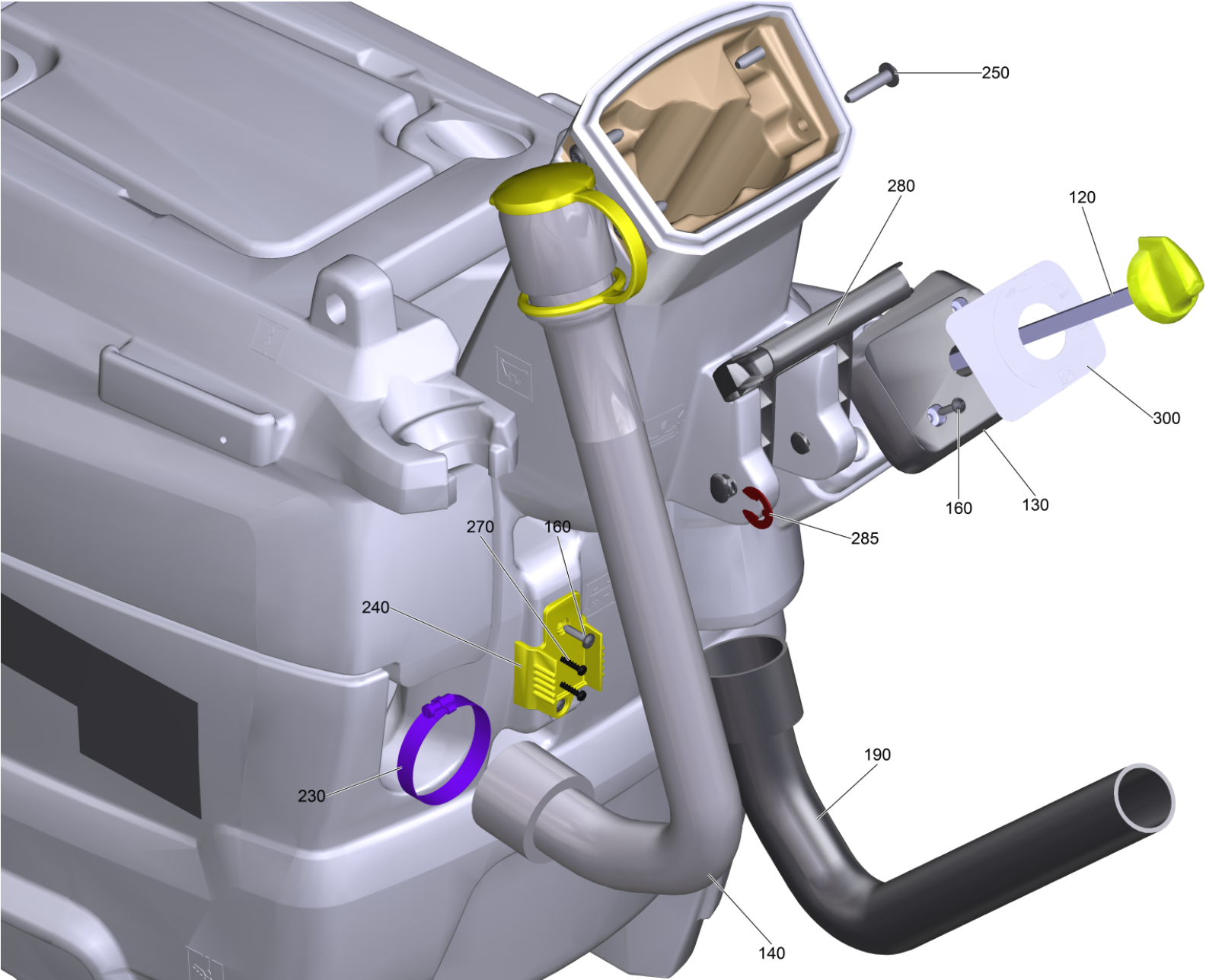


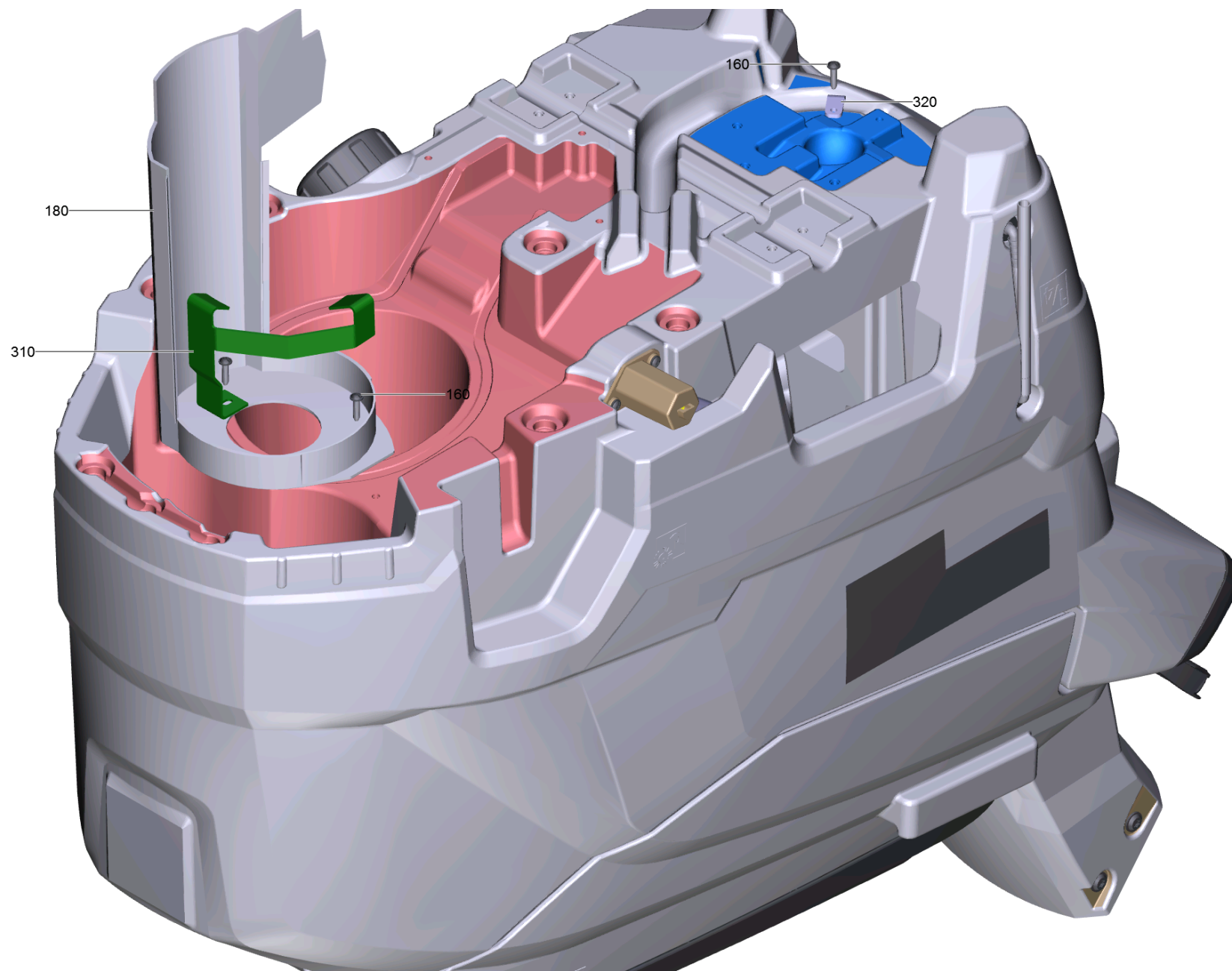
BD 43/25 C Bp Pack *EU (1.515-403.0)

POS	Article no.	Description	Quantity	Unit	Foot note text
230	2.643-977.0	Add-on kit drain hose ball valve BD 43	1.000	ST	
210	6.654-329.0	Battery charger 12A IEB	1.000	ST	
100		Brush-head complete B 25	1.000	ST	
220	6.649-879.0	Cable battery 25 mm ² . 160 mm	1.000	ST	
160	6.594-709.0	Cable tie	1.000	ST	
80		Carriage B 25 C Classic	1.000	ST	
90		Control panel B 25 C Bp	1.000	ST	
180	9.763-082.0	Corrugated tube NW17	1.000	ST	
170	7.305-036.0	Countersunk screw M4x12 -A2-70-s (IN6RD	2.000	ST	
200	6.654-093.0	Drive battery 12V 76AH	2.000	ST	
20	9.753-007.0	Electricics complete Bp	1.000	ST	
40	9.755-519.0	Gear motor replacement 24V Hengye	1.000	ST	
130	9.763-051.0	Micro switch Bp	1.000	ST	
9500	9.753-023.0	Mop holder complete	1.000	ST	
120		Retainer turbine complete B50 CS	1.000	ST	
150	7.303-108.0	Screw 5x20 -10.9-R2R (In6Rd)	2.000	ST	
110		Suction bar lifting complete	1.000	ST	
140	9.755-493.0	Switch coding replacement 24V	1.000	ST	
10		Tank complete B 25 BP	1.000	ST	FOR MACHINES WITHOUT SOLENOID VALVE
10		Tank complete B 25 Bp	1.000	ST	FOR DEVICES WITH SOLENOID VALVE
30	4.035-420.0	Vacuum motor replacement	1.000	ST	









10 Tank complete B 25 Bp

POS	Article no.	Description	Quantity	Unit
320	9.763-116.0	Cable clamp 16	1.000	ST
330	9.763-086.0	Cable support plate	1.000	ST
30	9.755-479.0	Cap of a tank waste water replacement	1.000	ST
90	5.035-380.0	Cover fresh water filler neck	1.000	ST
100	9.763-007.0	Cover fresh water tank	1.000	ST
130	9.755-480.0	Covering cap ball valve replacement	1.000	ST
180	9.763-036.0	Dividing wall motor air circulation	1.000	ST
140	9.755-638.0	Drain hose with cover replacement	1.000	ST
40	6.391-913.0	Elbow nipple	2.000	ST
70		Float regulator complete	1.000	ST
10	9.755-588.0	Fresh water tank replacement B25Bp	1.000	ST
230	6.388-713.0	Hose clip	1.000	ST
200	5.392-921.0	Label side 250 x 97	2.000	ST
210	5.394-081.0	Label signet gel 78x86	1.000	ST
300	9.763-060.0	Label water regulation	1.000	ST
280	9.763-041.0	Lever suction beam retraction	1.000	ST
285	9.763-079.0	Lock washer	1.000	ST
150	5.035-358.0	Mounting rope cover fresh water tank	1.000	ST
240	9.763-045.0	Retainer battery plug Anderson	1.000	ST
310	9.763-040.0	Retaining plate motor BD 50CS	1.000	ST
270	7.303-084.0	Screw 4x25 -10.9-R2R (K-In6Rd)	2.000	ST
160	7.303-108.0	Screw 5x20 -10.9-R2R (In6Rd)	7.000	ST
250	6.303-315.0	Screw 8 x 35	4.000	ST
110	9.763-008.0	Seal fresh water discharge	1.000	ST
220	9.755-482.0	Sealing profile replacement	1.000	ST
290	9.755-483.0	Sealing tape cellularrubber replacement	1.000	ST
260	9.763-043.0	Seal suction bar air	1.000	ST
80	9.763-012.0	Seal turbine strainer	1.000	ST
50	9.763-121.0	Silicon hose level indicator	1.000	ST
120	9.753-101.0	Solenoid valve complete replacement BD25	1.000	ST
55	6.035-072.0	Sphere level indicator D6	1.000	ST
190	9.763-037.0	Suction hose DN32	1.000	ST
20	9.755-543.0	Waste water tank replacement B25 BP	1.000	ST

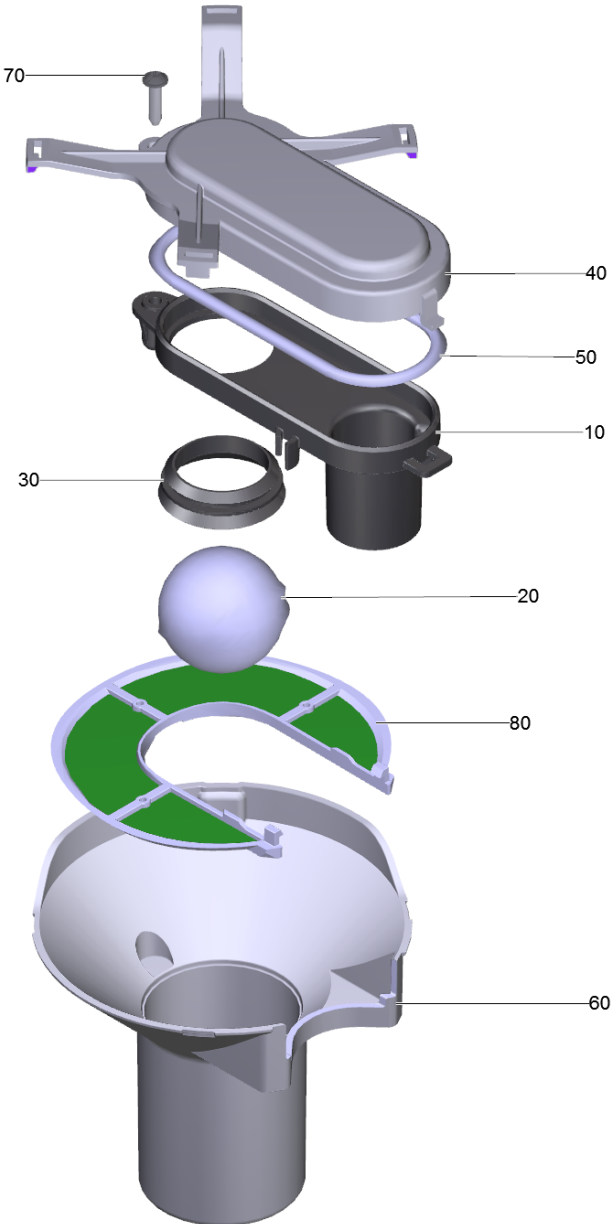
10 Tank complete B 25 Bp

POS	Article no.	Description	Quantity	Unit
60	5.035-608.0	Wire protecting sleeve	2.000	ST



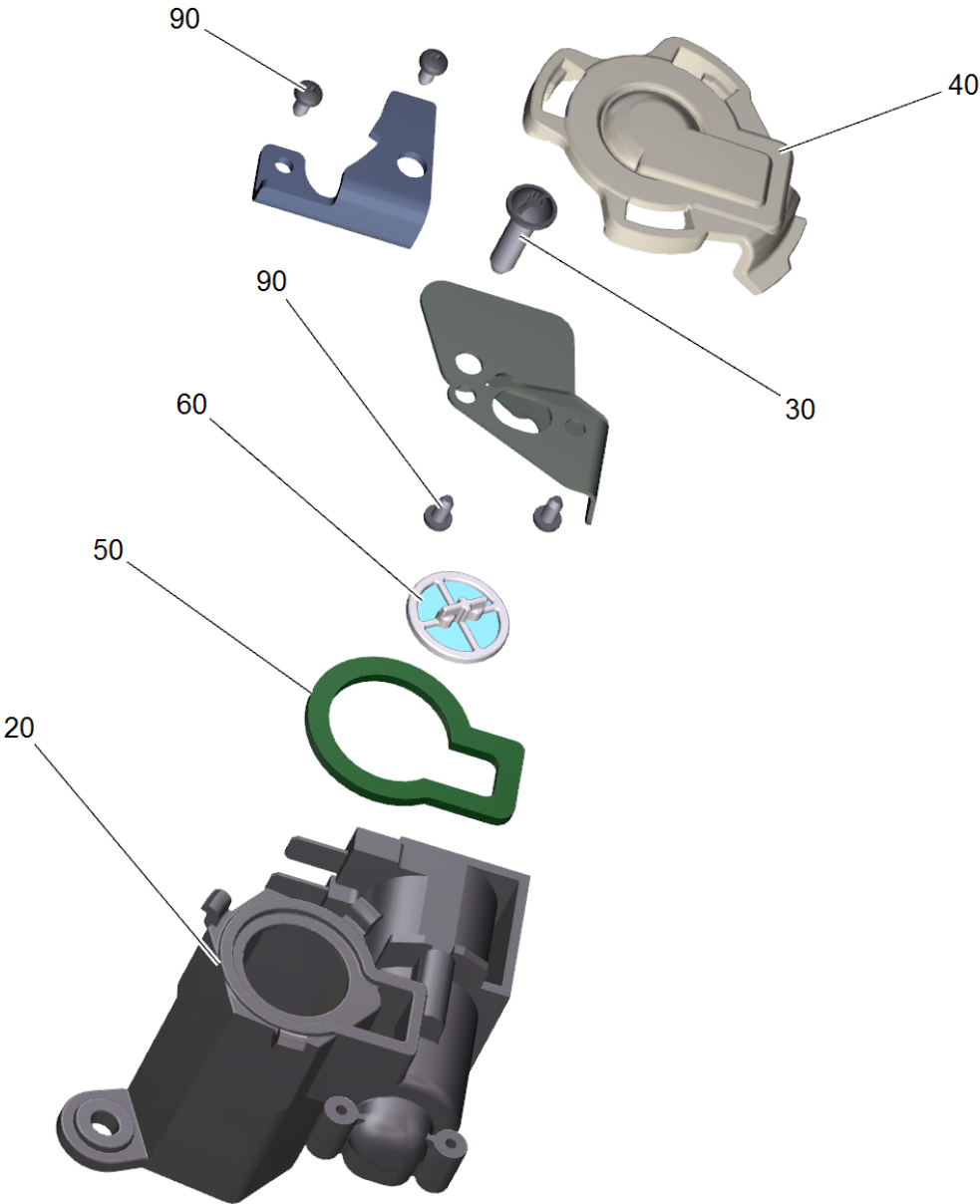
30 Cap of a tank waste water replacement (9.755-479.0)

POS	Article no.	Description	Quantity	Unit
20	9.755-482.0	Sealing profile replacement	1.000	ST



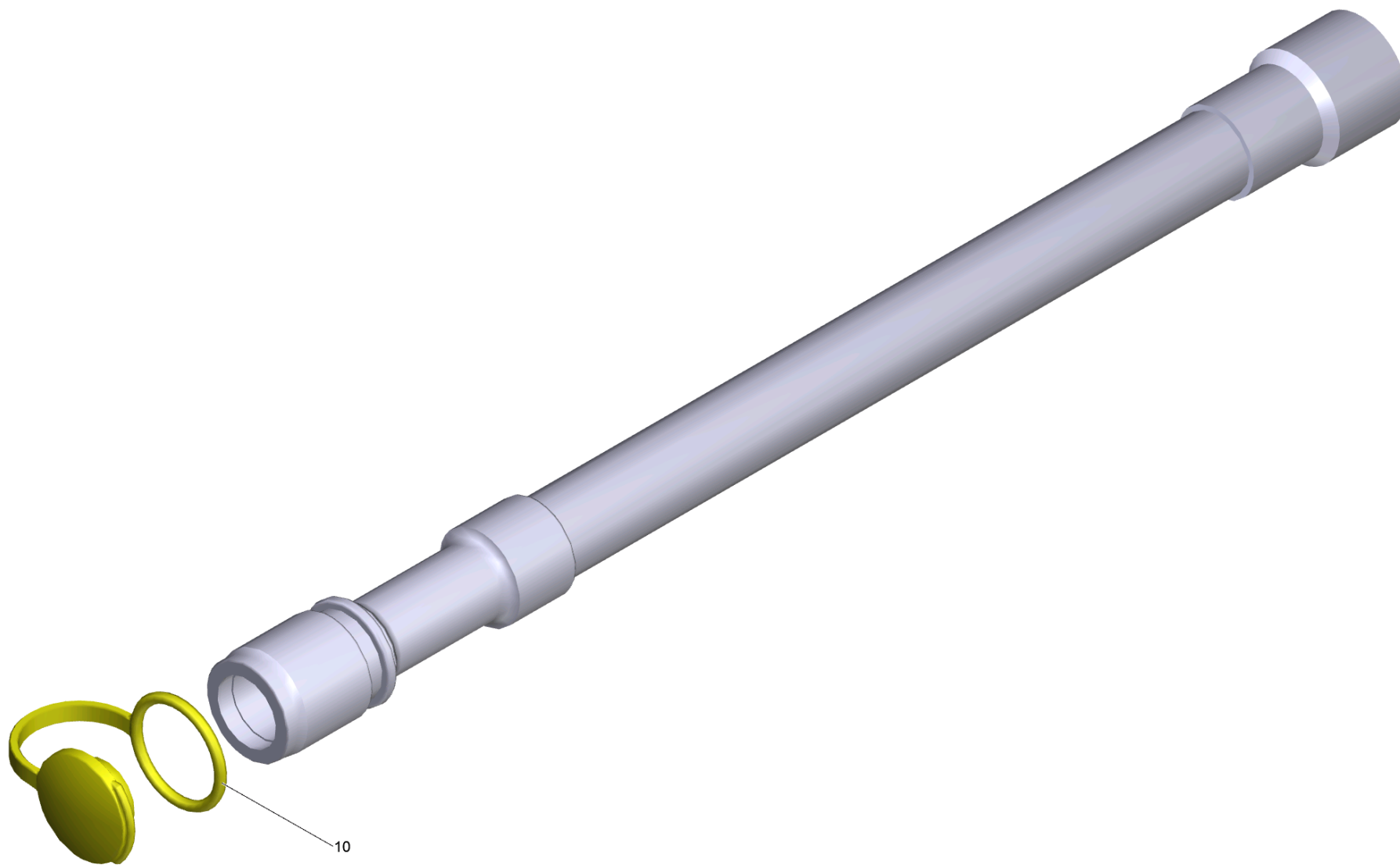
70 Float regulator complete

POS	Article no.	Description	Quantity	Unit
40	9.763-005.0	Cover float regulator	1.000	ST
60	9.763-047.0	Float cage	1.000	ST
20	9.763-333.0	Floater ball	1.000	ST
10	9.763-003.0	Float regulator bottom part	1.000	ST
70	7.303-108.0	Screw 5x20 -10.9-R2R (In6Rd)	1.000	ST
30	9.763-004.0	Seal float regulator	1.000	ST
50	9.763-044.0	Seal string cellular rubber float regula	1.000	ST
80	9.763-383.0	Strainer float regulator	1.000	ST



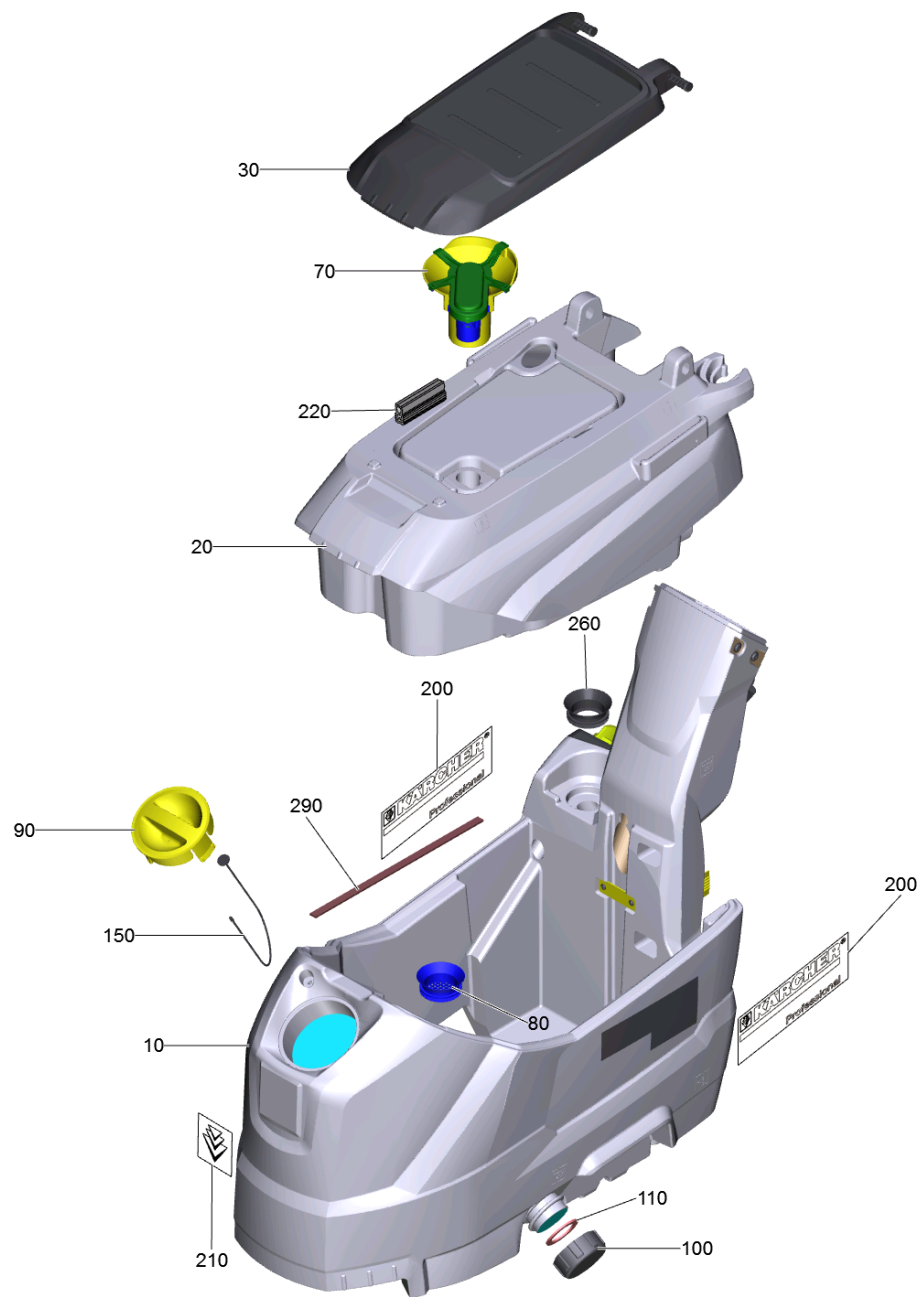
120 Solenoid valve complete replacement BD25 (9.753-101.0)

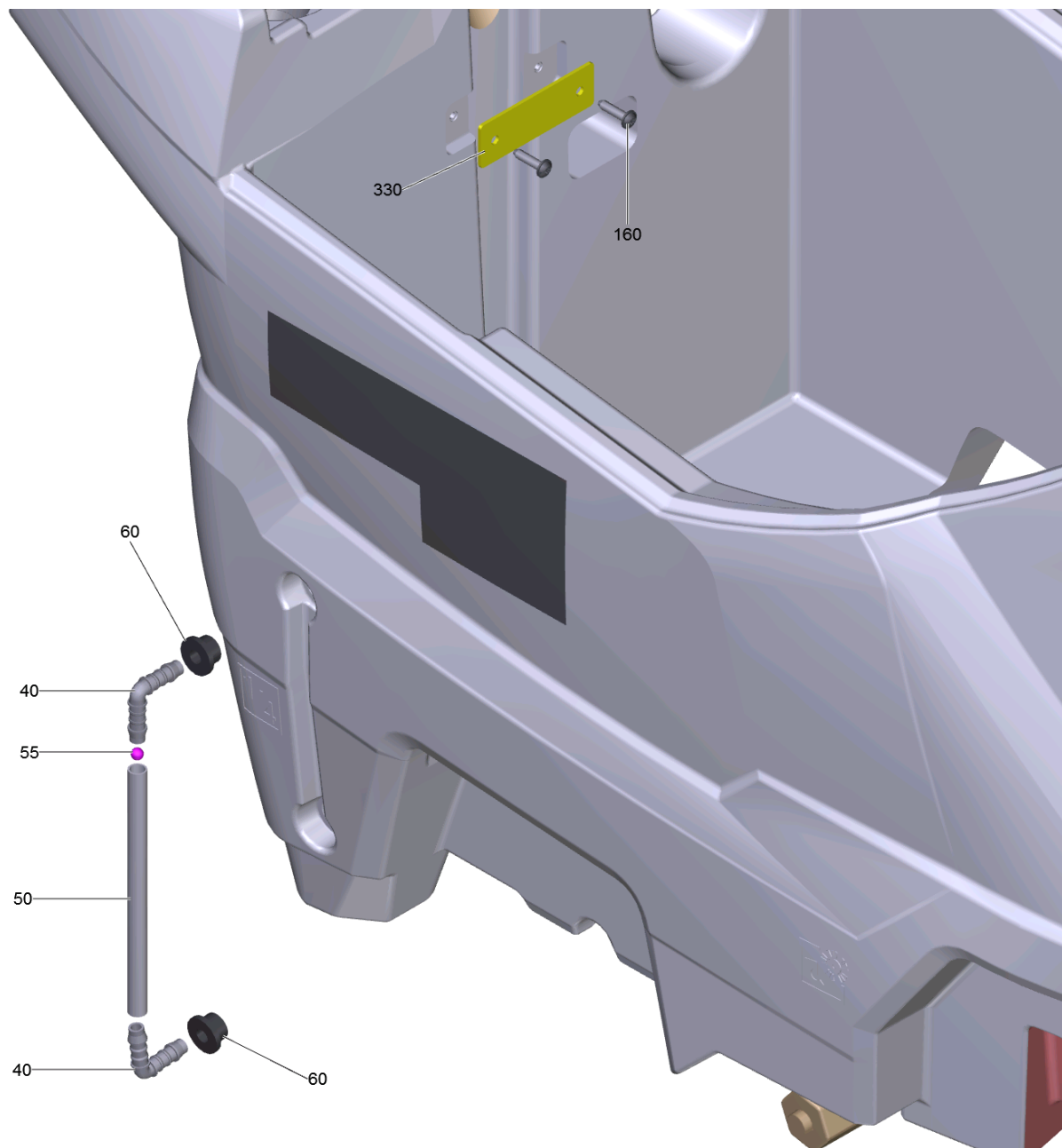
POS	Article no.	Description	Quantity	Unit
40	5.037-510.0	Cover ball valve solenoid valve	1.000	ST
90	7.303-334.0	Screw 3x6 -A2-70 (In6Rd)	4.000	ST
30	7.303-108.0	Screw 5x20 -10.9-R2R (In6Rd)	1.000	ST
50	5.037-512.0	Seal cover solenoid valve	1.000	ST
20	6.472-004.0	Solenoid valve 24V	1.000	ST
60	5.037-511.0	Strainer solenoid valve	1.000	ST

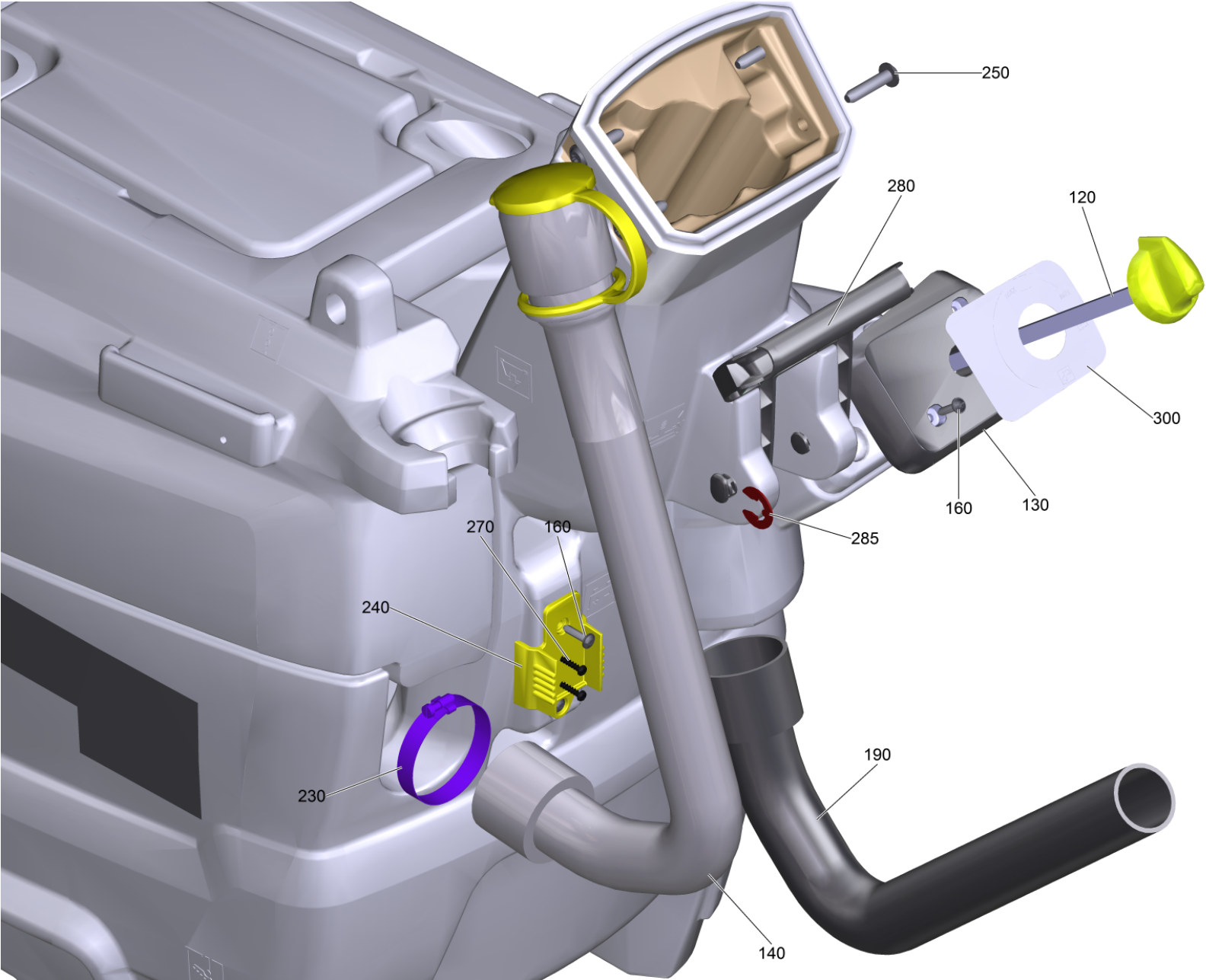


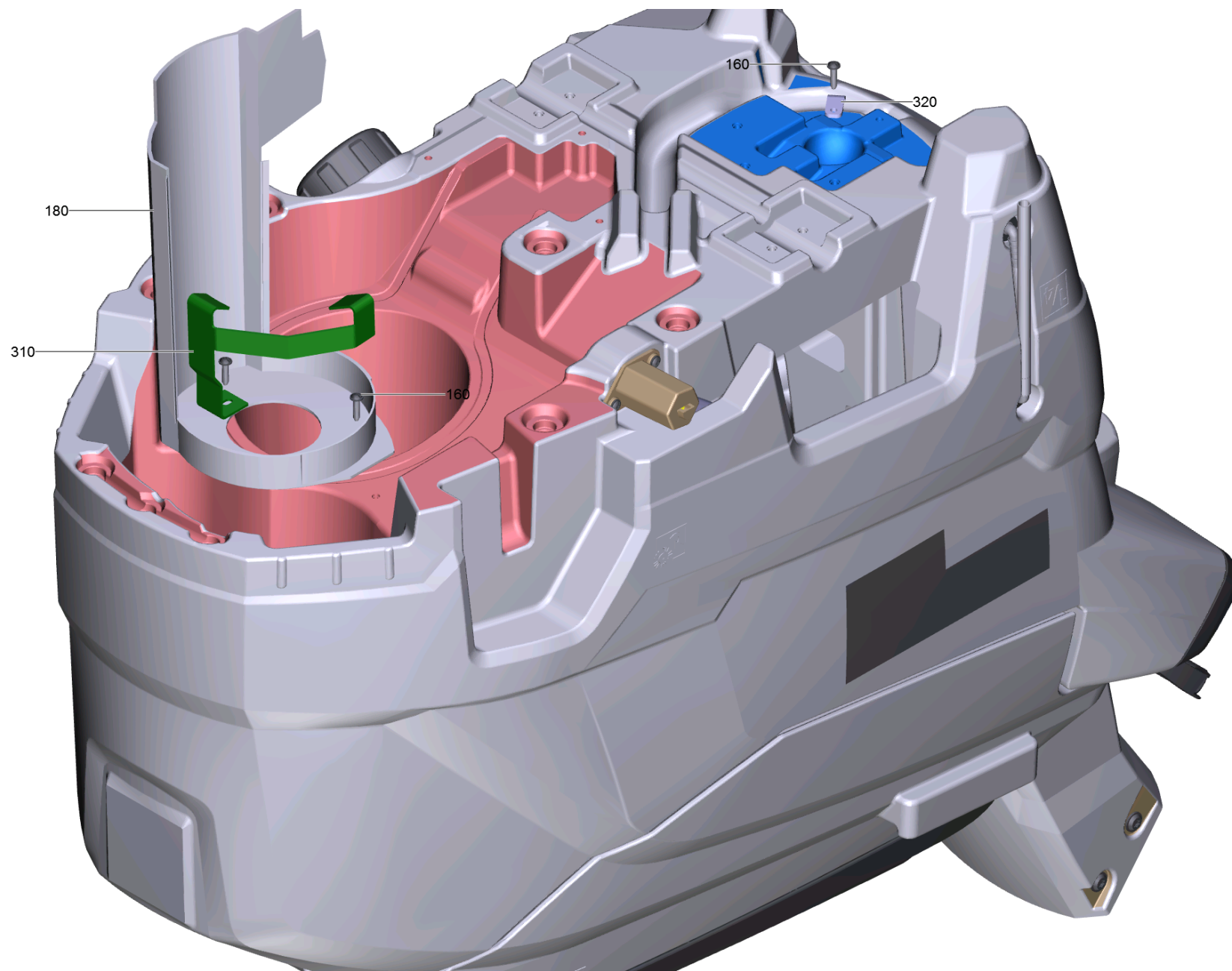
140 Drain hose with cover replacement (9.755-638.0)

POS	Article no.	Description	Quantity	Unit
10	5.035-815.0	Cover drain hose oil resistant	1.000	ST









10 Tank complete B 25 BP

POS	Article no.	Description	Quantity	Unit
120		Ball valve complete B 25	1.000	ST
320	9.763-116.0	Cable clamp 16	1.000	ST
330	9.763-086.0	Cable support plate	1.000	ST
30	9.755-479.0	Cap of a tank waste water replacement	1.000	ST
90	5.035-380.0	Cover fresh water filler neck	1.000	ST
100	9.763-007.0	Cover fresh water tank	1.000	ST
130	9.755-480.0	Covering cap ball valve replacement	1.000	ST
180	9.763-036.0	Dividing wall motor air circulation	1.000	ST
140	9.755-638.0	Drain hose with cover replacement	1.000	ST
40	6.391-913.0	Elbow nipple	2.000	ST
70		Float regulator complete	1.000	ST
10	9.755-542.0	Fresh water tank replacement B25 BP	1.000	ST
230	6.388-713.0	Hose clip	1.000	ST
200	5.392-921.0	Label side 250 x 97	2.000	ST
210	5.394-081.0	Label signet gel 78x86	1.000	ST
300	9.763-060.0	Label water regulation	1.000	ST
280	9.763-041.0	Lever suction beam retraction	1.000	ST
285	9.763-079.0	Lock washer	1.000	ST
150	5.035-358.0	Mounting rope cover fresh water tank	1.000	ST
240	9.763-045.0	Retainer battery plug Anderson	1.000	ST
310	9.763-040.0	Retaining plate motor BD 50CS	1.000	ST
270	7.303-084.0	Screw 4x25 -10.9-R2R (K-In6Rd)	2.000	ST
160	7.303-108.0	Screw 5x20 -10.9-R2R (In6Rd)	7.000	ST
250	6.303-315.0	Screw 8 x 35	4.000	ST
110	9.763-008.0	Seal fresh water discharge	1.000	ST
220	9.755-482.0	Sealing profile replacement	1.000	ST
290	9.755-483.0	Sealing tape cellularrubber replacement	1.000	ST
260	9.763-043.0	Seal suction bar air	1.000	ST
80	9.763-012.0	Seal turbine strainer	1.000	ST
50	9.763-121.0	Silicon hose level indicator	1.000	ST
55	6.035-072.0	Sphere level indicator D6	1.000	ST
190	9.763-037.0	Suction hose DN32	1.000	ST
20	9.755-543.0	Waste water tank replacement B25 BP	1.000	ST

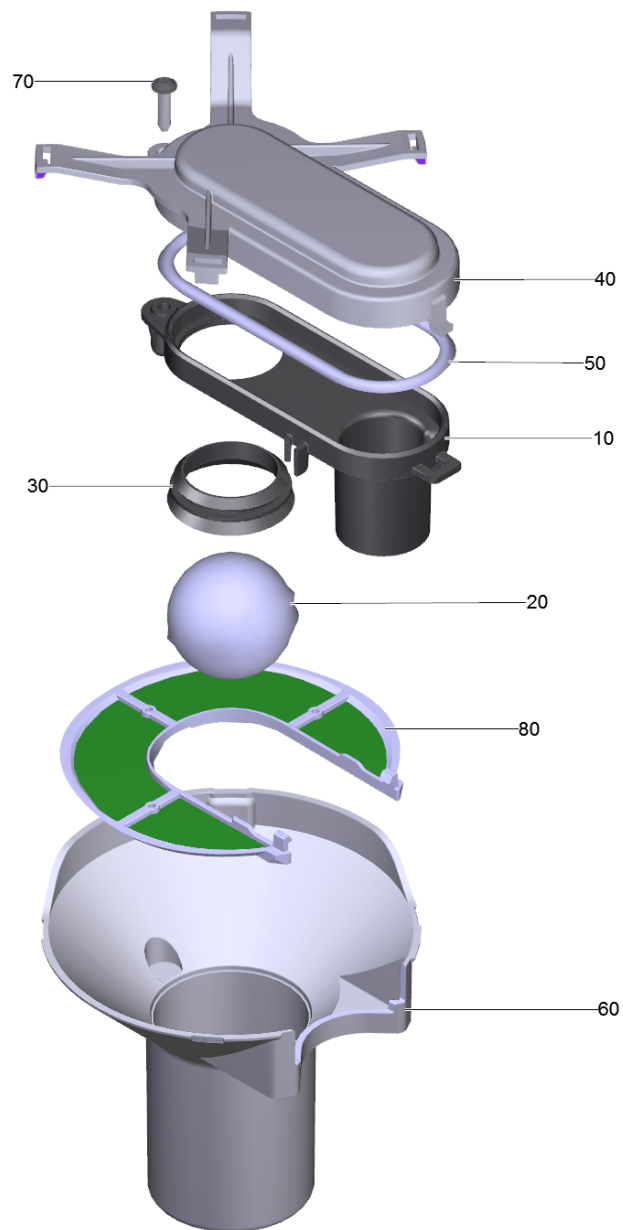
10 Tank complete B 25 BP

POS	Article no.	Description	Quantity	Unit
60	5.035-608.0	Wire protecting sleeve	2.000	ST



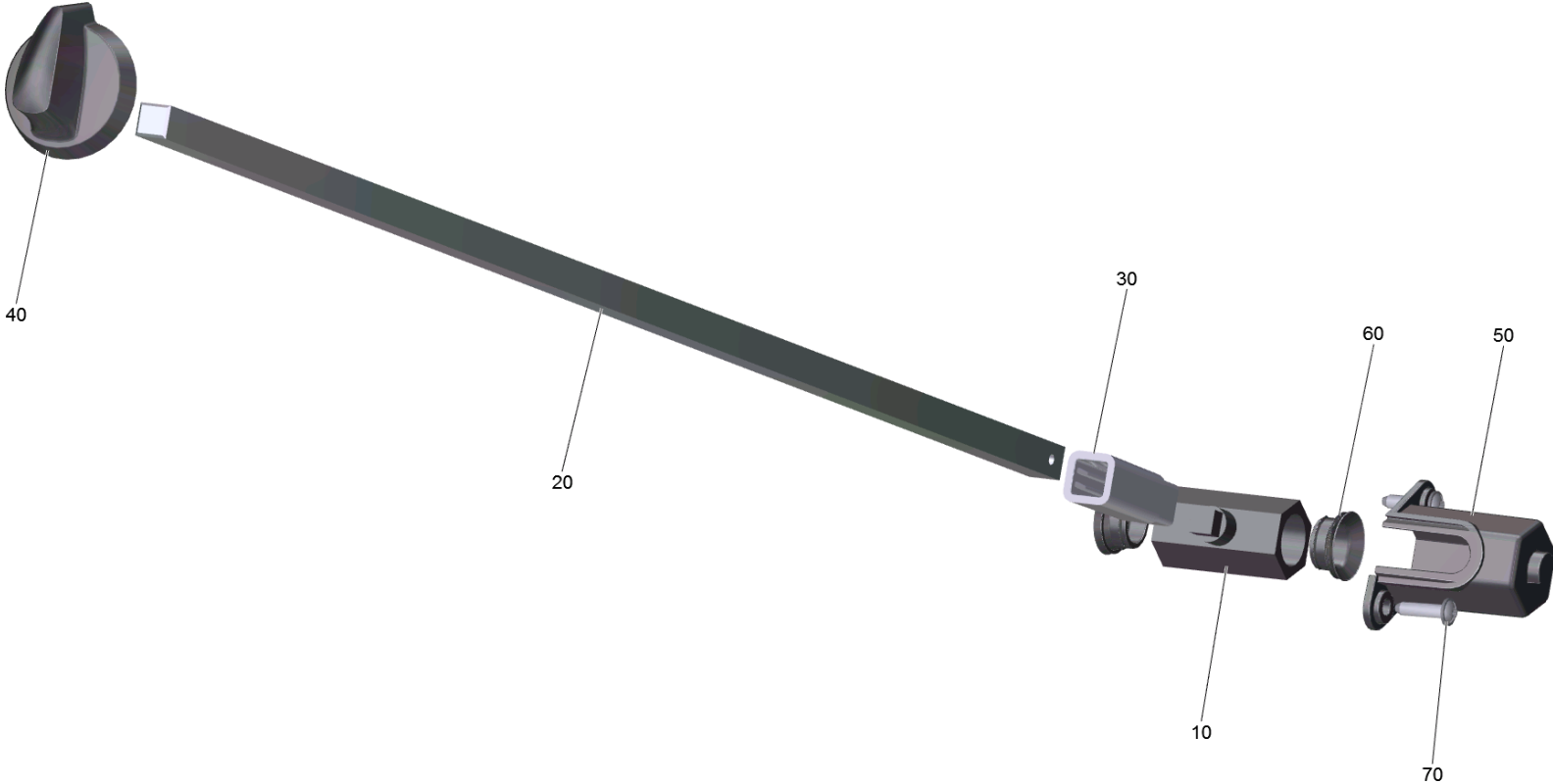
30 Cap of a tank waste water replacement (9.755-479.0)

POS	Article no.	Description	Quantity	Unit
20	9.755-482.0	Sealing profile replacement	1.000	ST



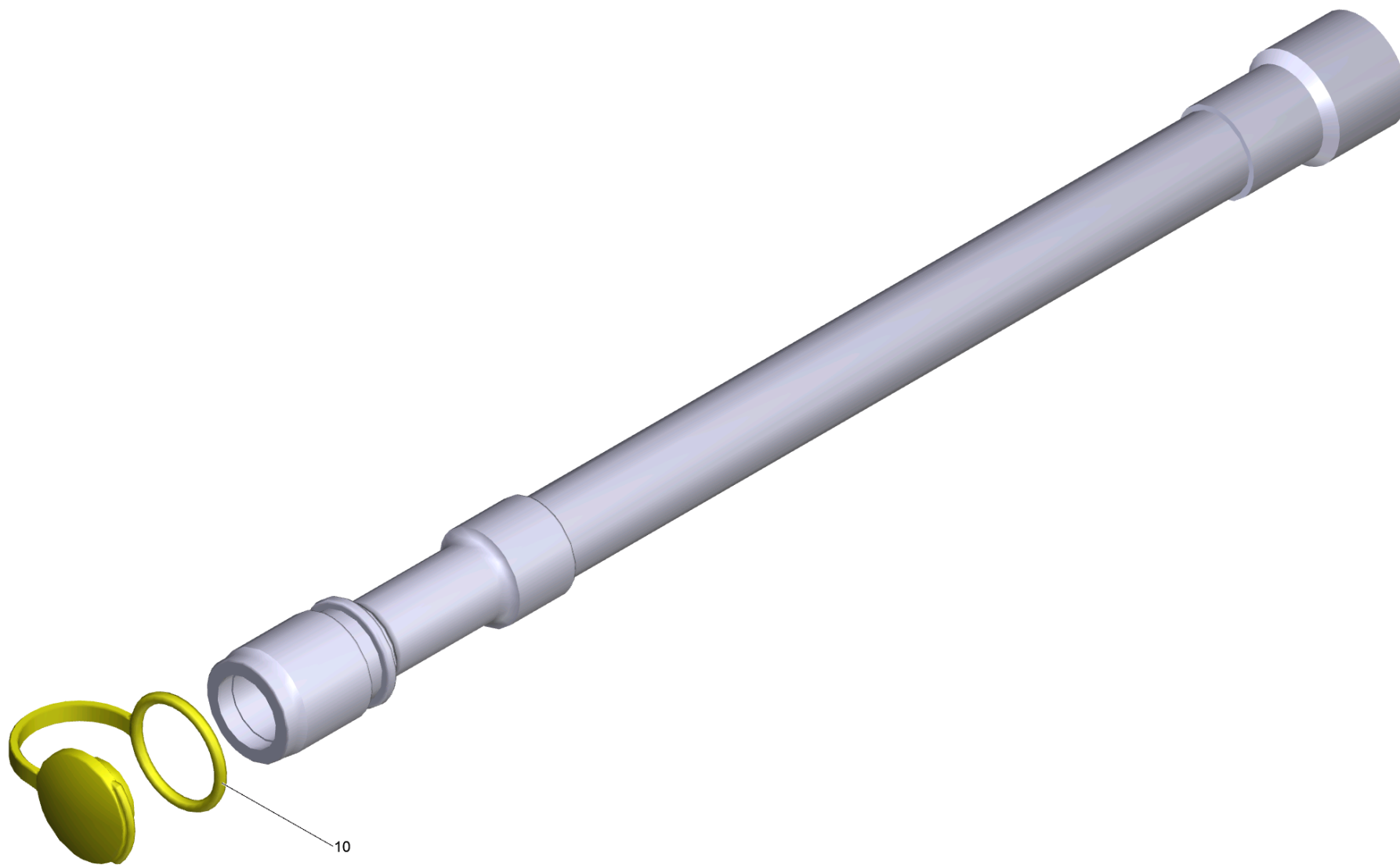
70 Float regulator complete

POS	Article no.	Description	Quantity	Unit
40	9.763-005.0	Cover float regulator	1.000	ST
60	9.763-047.0	Float cage	1.000	ST
20	9.763-333.0	Floater ball	1.000	ST
10	9.763-003.0	Float regulator bottom part	1.000	ST
70	7.303-108.0	Screw 5x20 -10.9-R2R (In6Rd)	1.000	ST
30	9.763-004.0	Seal float regulator	1.000	ST
50	9.763-044.0	Seal string cellular rubber float regula	1.000	ST
80	9.763-383.0	Strainer float regulator	1.000	ST



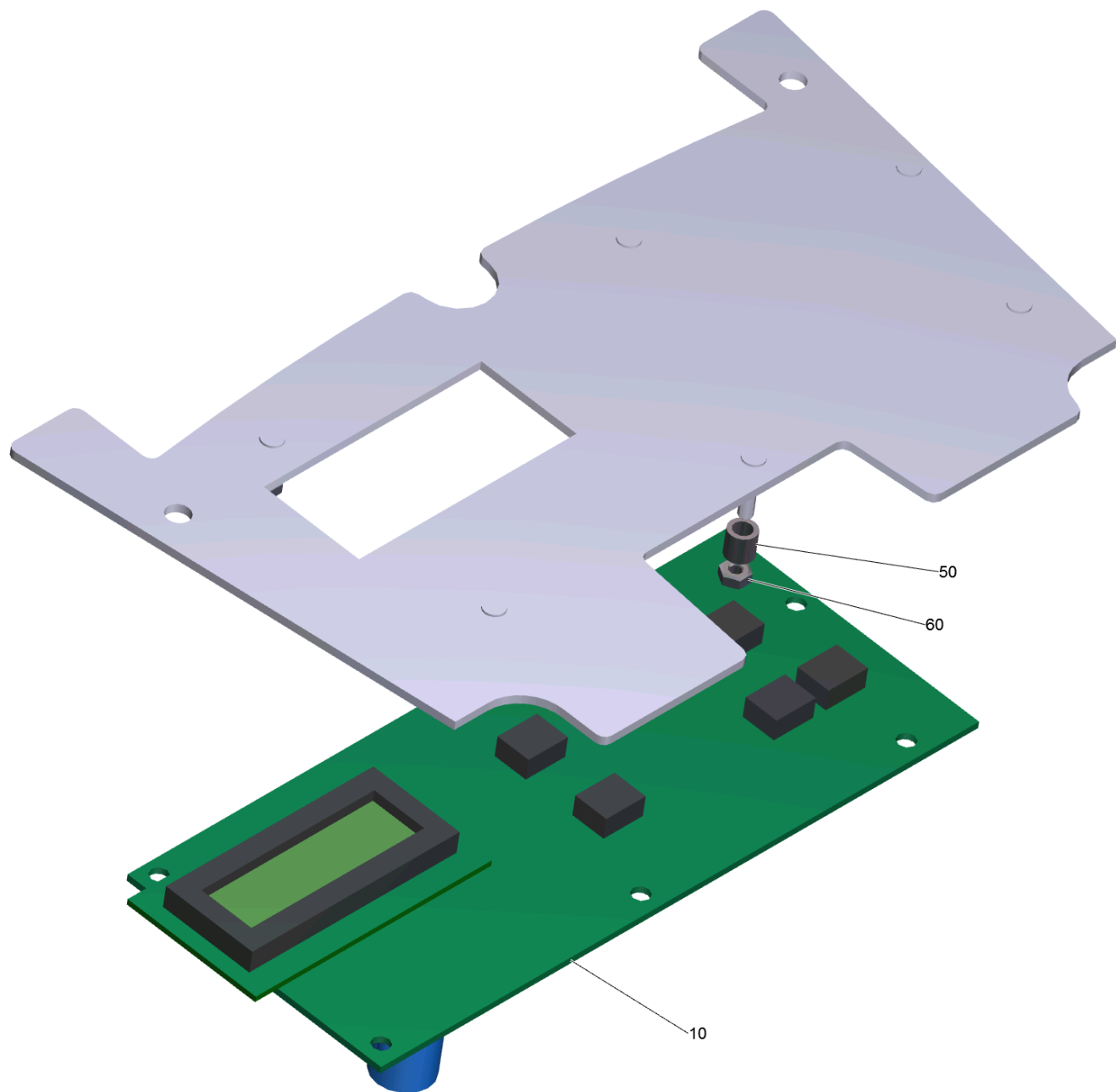
120 Ball valve complete B 25

POS	Article no.	Description	Quantity	Unit
10	9.763-084.0	Ball valve G 1/2"	1.000	ST
20	9.763-069.0	Bar ball valve	1.000	ST
30	5.035-459.0	Coupler piece ball valve	1.000	ST
40	5.035-404.0	Handle	1.000	ST
50	9.763-184.0	Holder ball valve B 25	1.000	ST
70	7.303-108.0	Screw 5x20 -10.9-R2R (In6Rd)	2.000	ST
60	9.763-011.0	Seal ball valve	2.000	ST

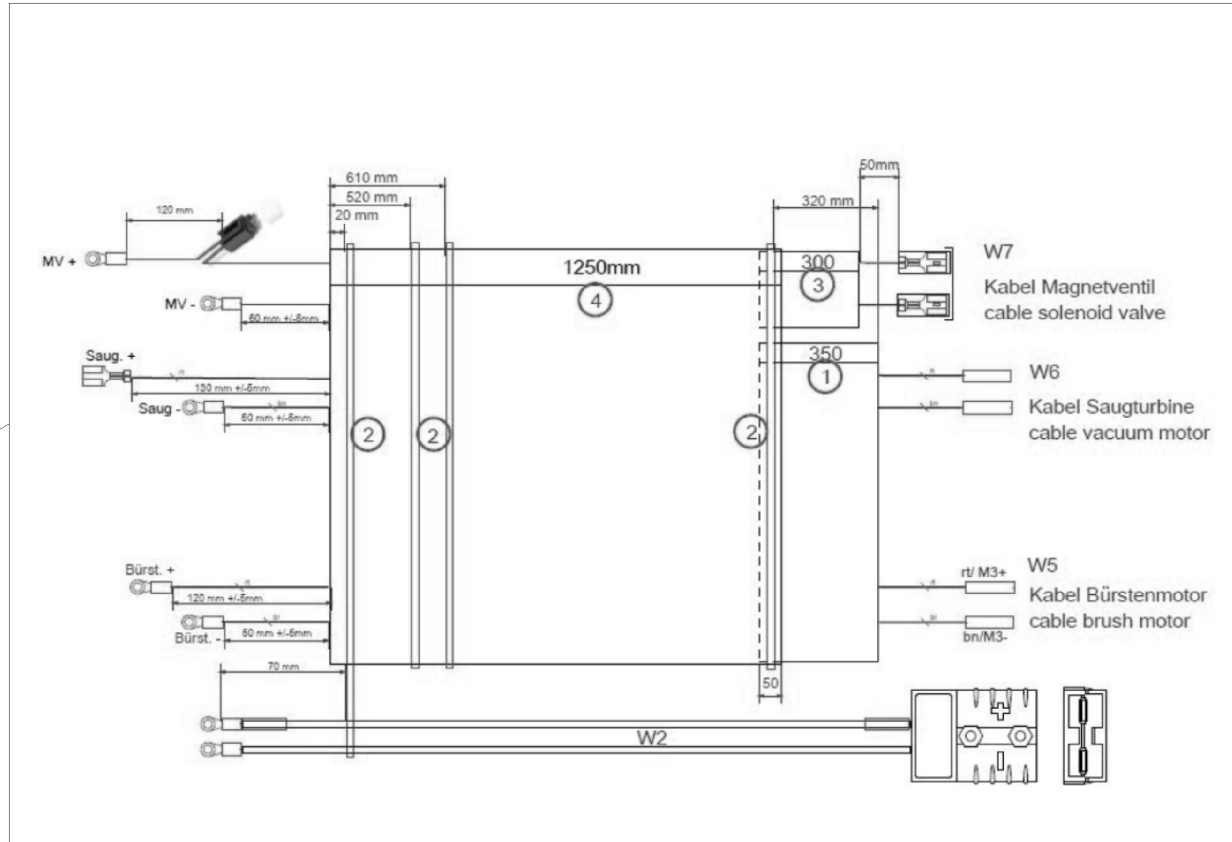


140 Drain hose with cover replacement (9.755-638.0)

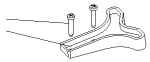
POS	Article no.	Description	Quantity	Unit
10	5.035-815.0	Cover drain hose oil resistant	1.000	ST



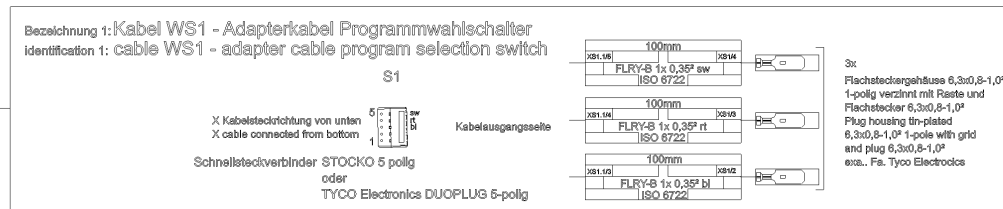
40



41

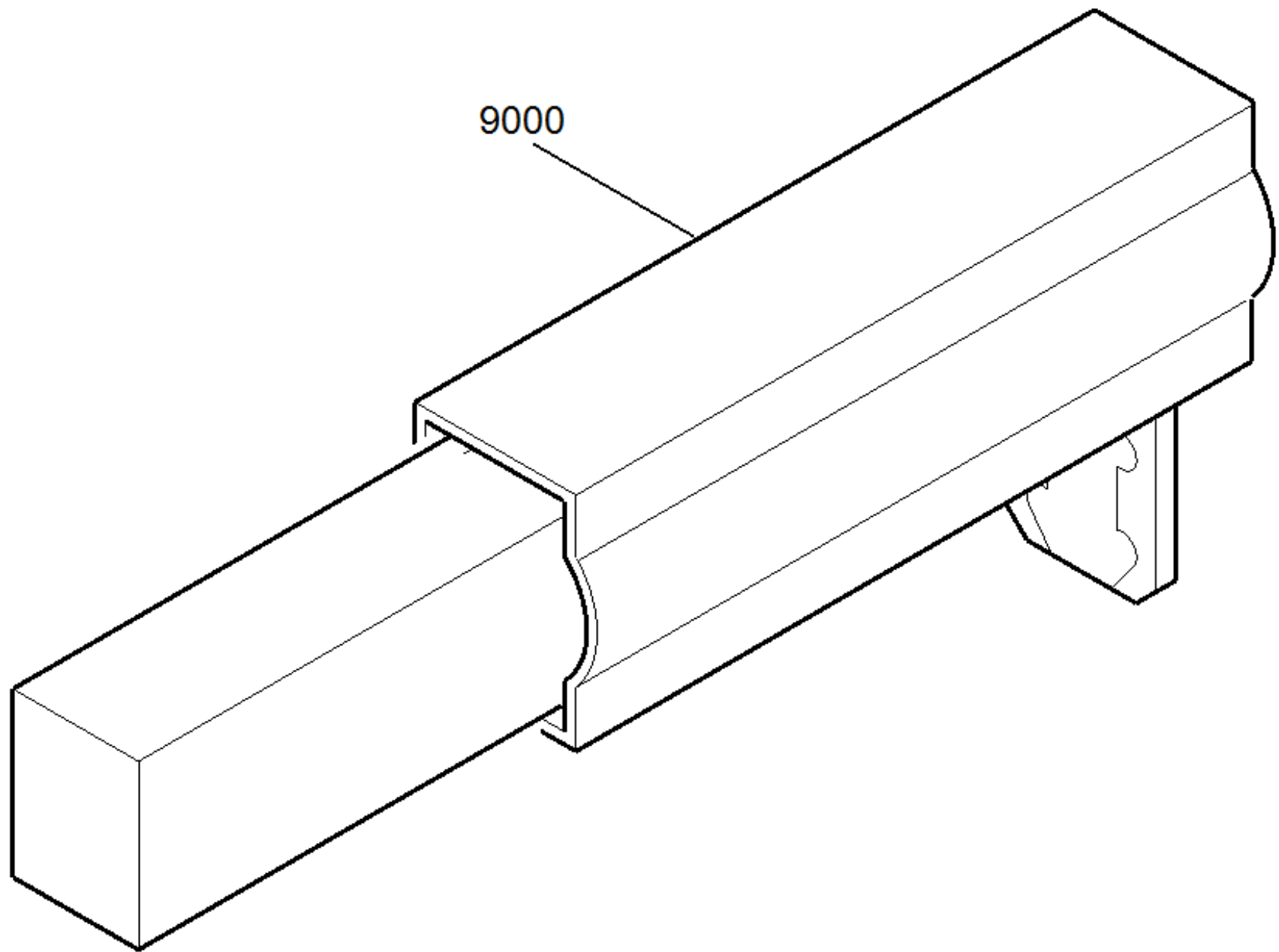


45



20 Electricics complete Bp (9.753-007.0)

POS	Article no.	Description	Quantity	Unit
40	9.753-083.0	Cable harness with solenoid valve BD50/B	1.000	ST
45	6.650-518.0	Cable program selector switch	1.000	ST
10	9.755-484.0	Control circuit board replacement B 50 2	1.000	ST
41	6.321-192.0	Hand grip SB50-HDL	1.000	ST
60	7.311-000.0	Hexagon nut M3 -6-A2E ISO 4032	6.000	ST
50	5.035-962.0	Sleeve	6.000	ST

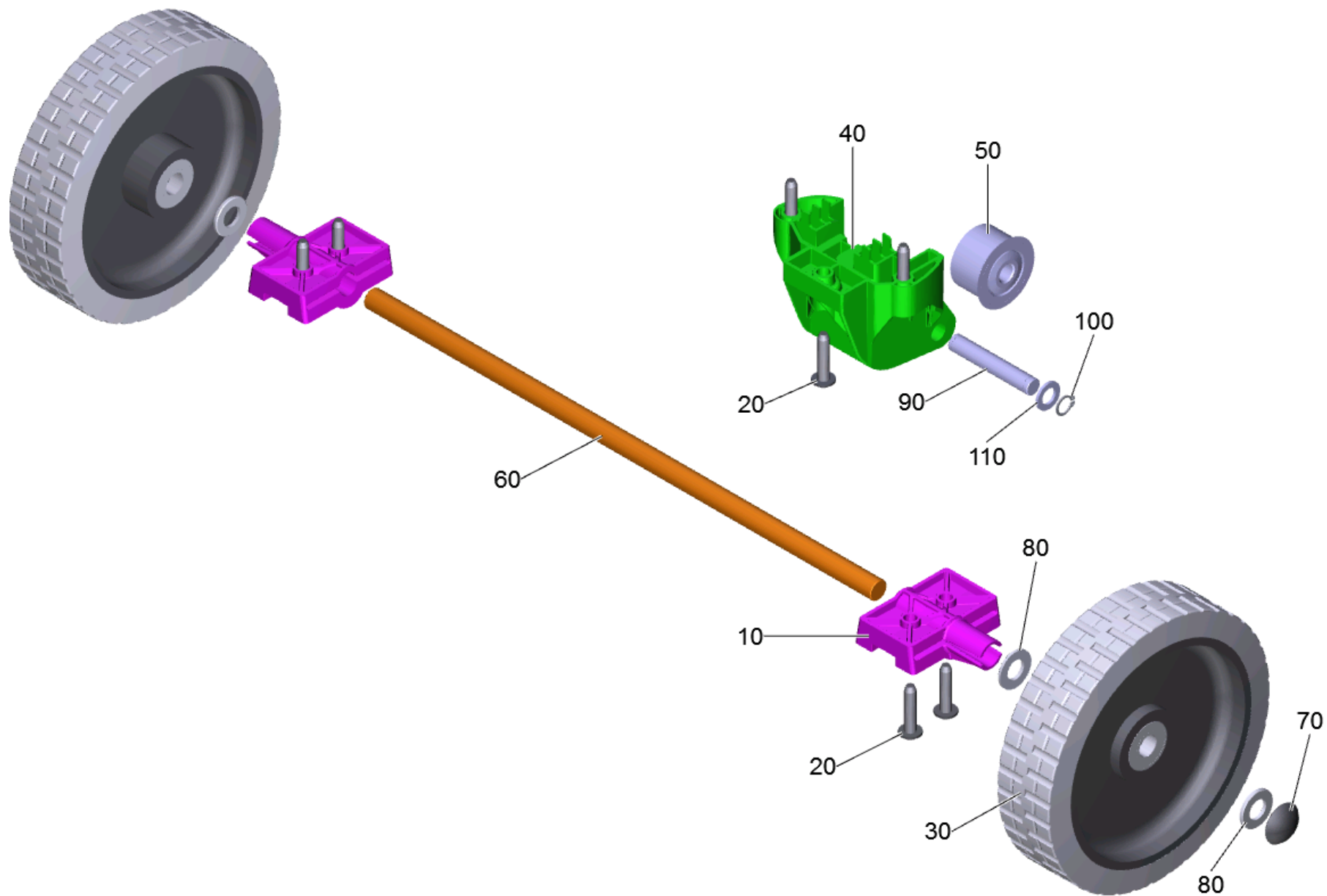


30 Vacuum motor replacement (4.035-420.0)

POS	Article no.	Description	Quantity	Unit
9000	6.490-011.0	Carbon brush set	1.000	ST

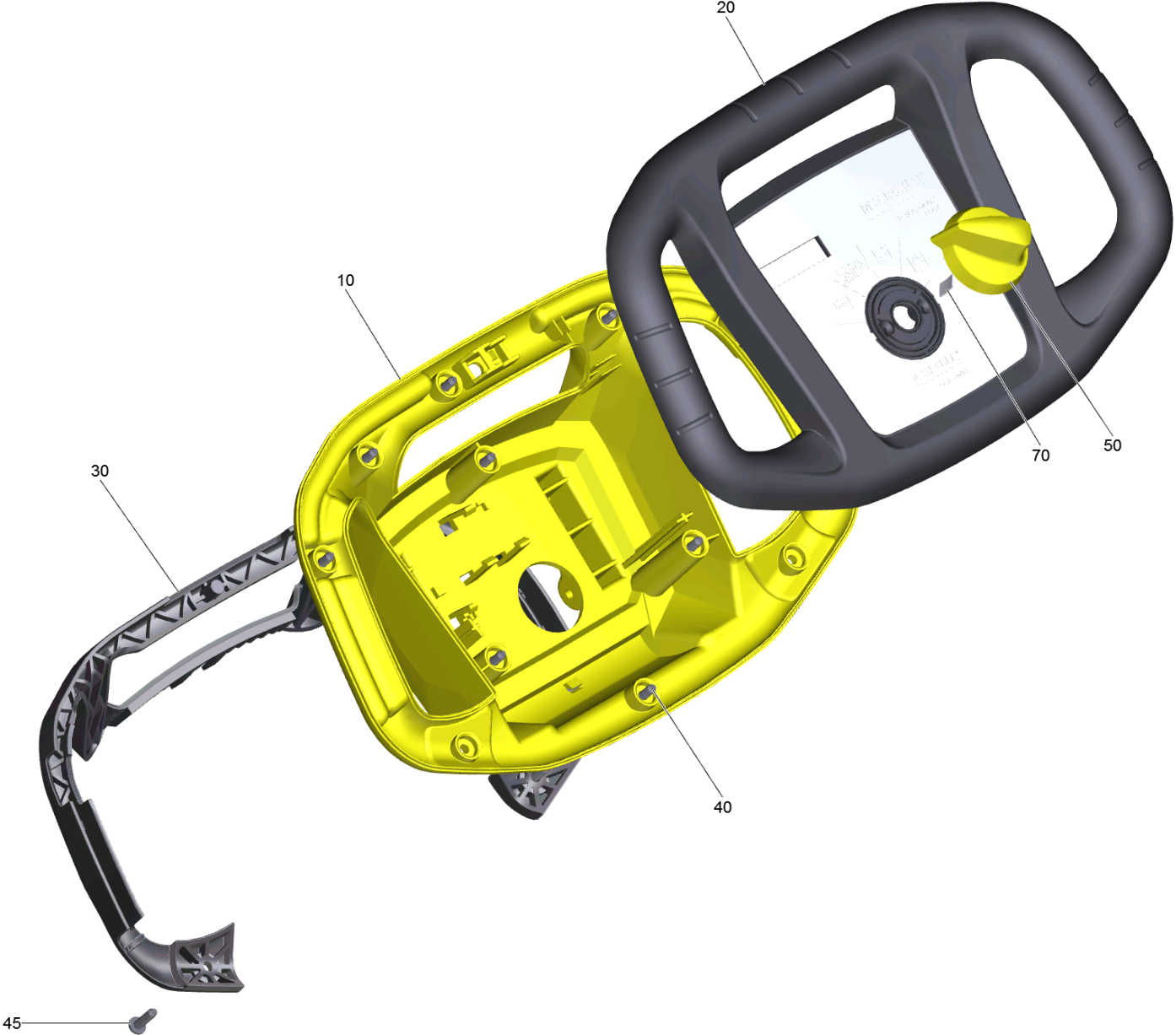
40 Gear motor replacement 24V Hengye (9.755-519.0)

POS	Article no.	Description	Quantity	Unit
1	9.755-590.0	Carbon brush set Hengye 24V	1.000	ST
2	7.343-083.0	Locking ring 12x1 -FSt DIN 471	1.000	ST



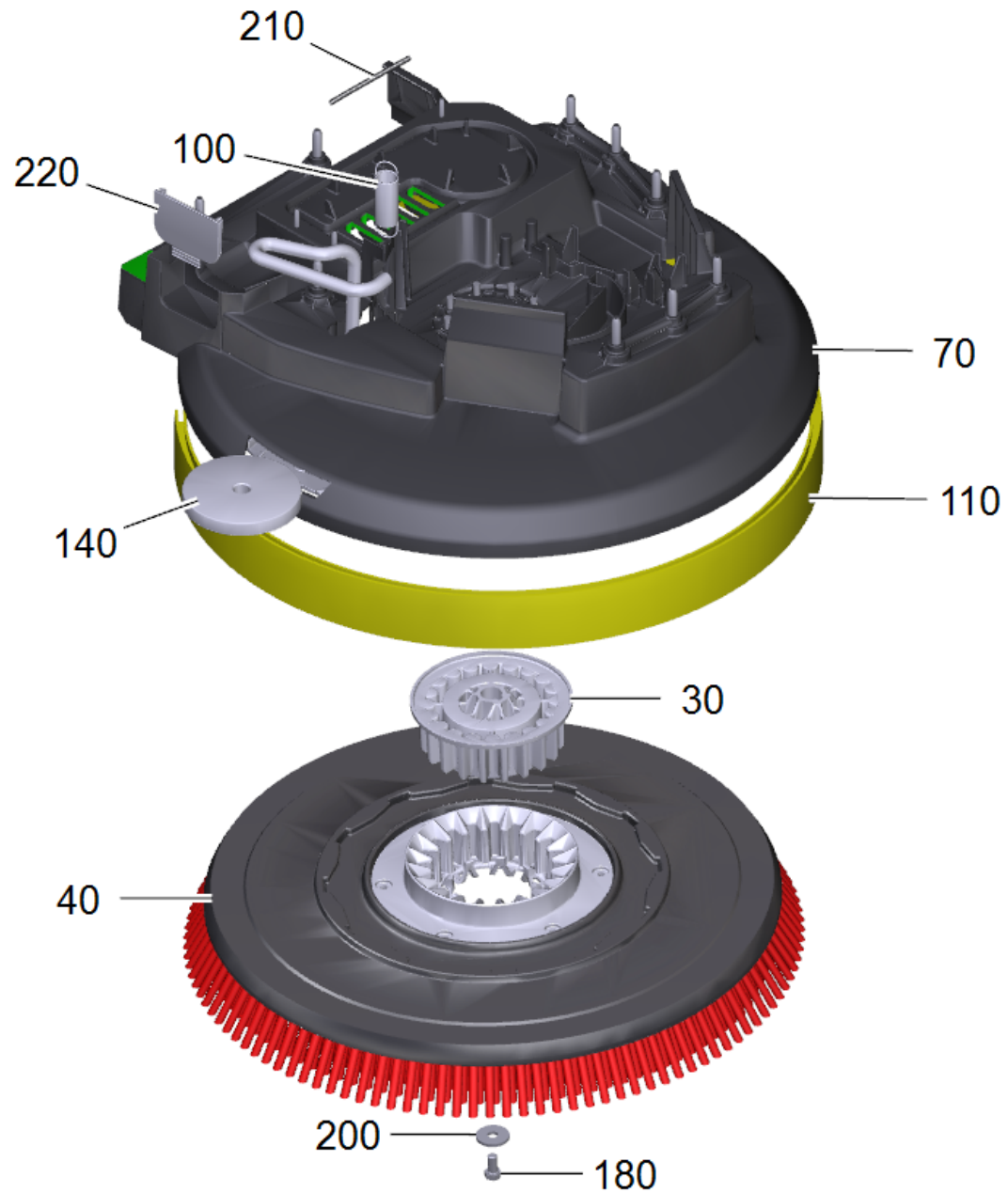
80 Carriage B 25 C Classic

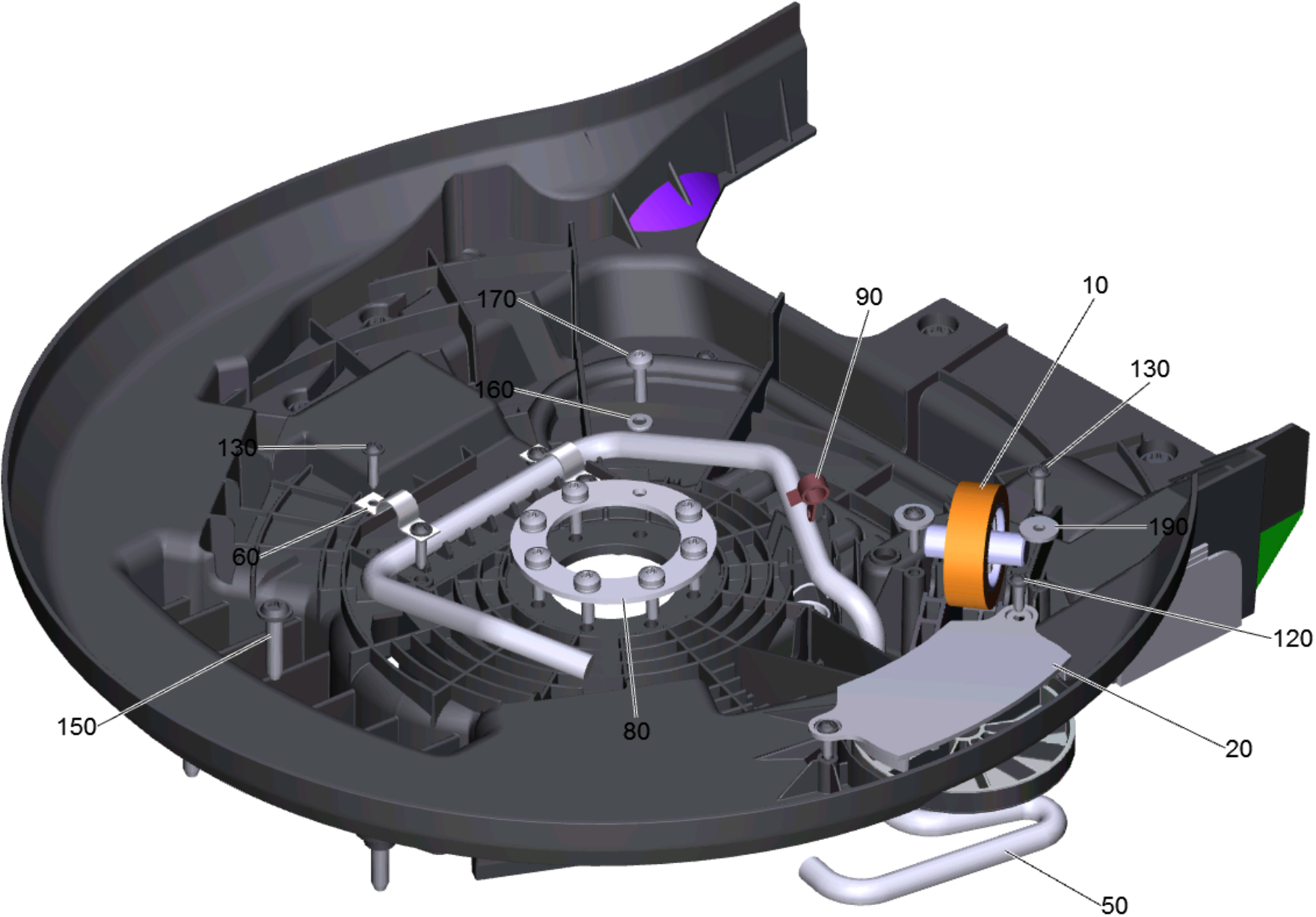
POS	Article no.	Description	Quantity	Unit
60	9.763-085.0	Axle D15	1.000	ST
90	9.763-006.0	Axle tipping roll	1.000	ST
10	9.763-015.0	Holder axle	2.000	ST
40	9.763-016.0	Holder transport wheel	1.000	ST
100	7.343-083.0	Locking ring 12x1 -FSt DIN 471	2.000	ST
70	6.343-240.0	Lock washer	2.000	ST
50	9.763-053.0	Roller with ball bearing	1.000	ST
20	6.303-315.0	Screw 8 x 35	7.000	ST
80	7.312-028.0	Washer 14-200HV-A3E ISO7089	4.000	ST
110	9.763-083.0	Washer D12	2.000	ST
30	9.763-081.0	Wheel D200	2.000	ST

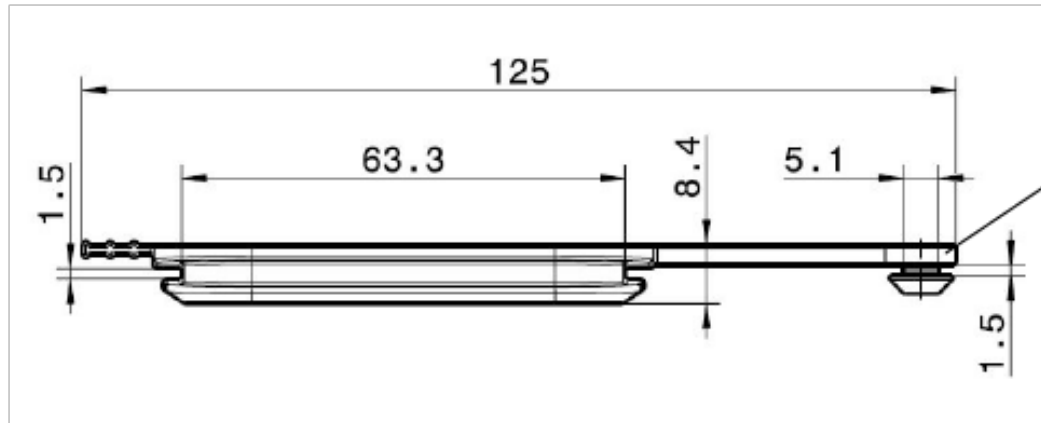


90 Control panel B 25 C Bp

POS	Article no.	Description	Quantity	Unit
10	9.755-490.0	Control panel bottom part replacement	1.000	ST
20	9.755-544.0	Control panel top part replacement	1.000	ST
30	9.763-029.0	Dead man's switch handhold	1.000	ST
50	5.321-738.0	Handhold operational concept	1.000	ST
40	7.303-108.0	Screw 5x20 -10.9-R2R (In6Rd)	9.000	ST
45	7.303-109.0	Screw 5x25 -10.9-R2R (In6Rd)	2.000	ST
70	6.313-014.0	Spring element	1.000	ST

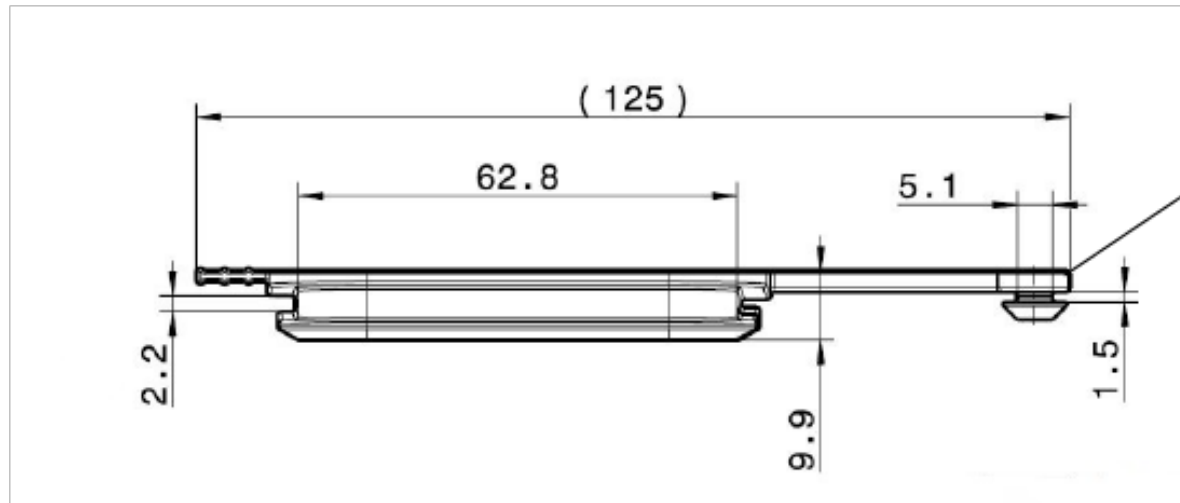






220

Version 1



220

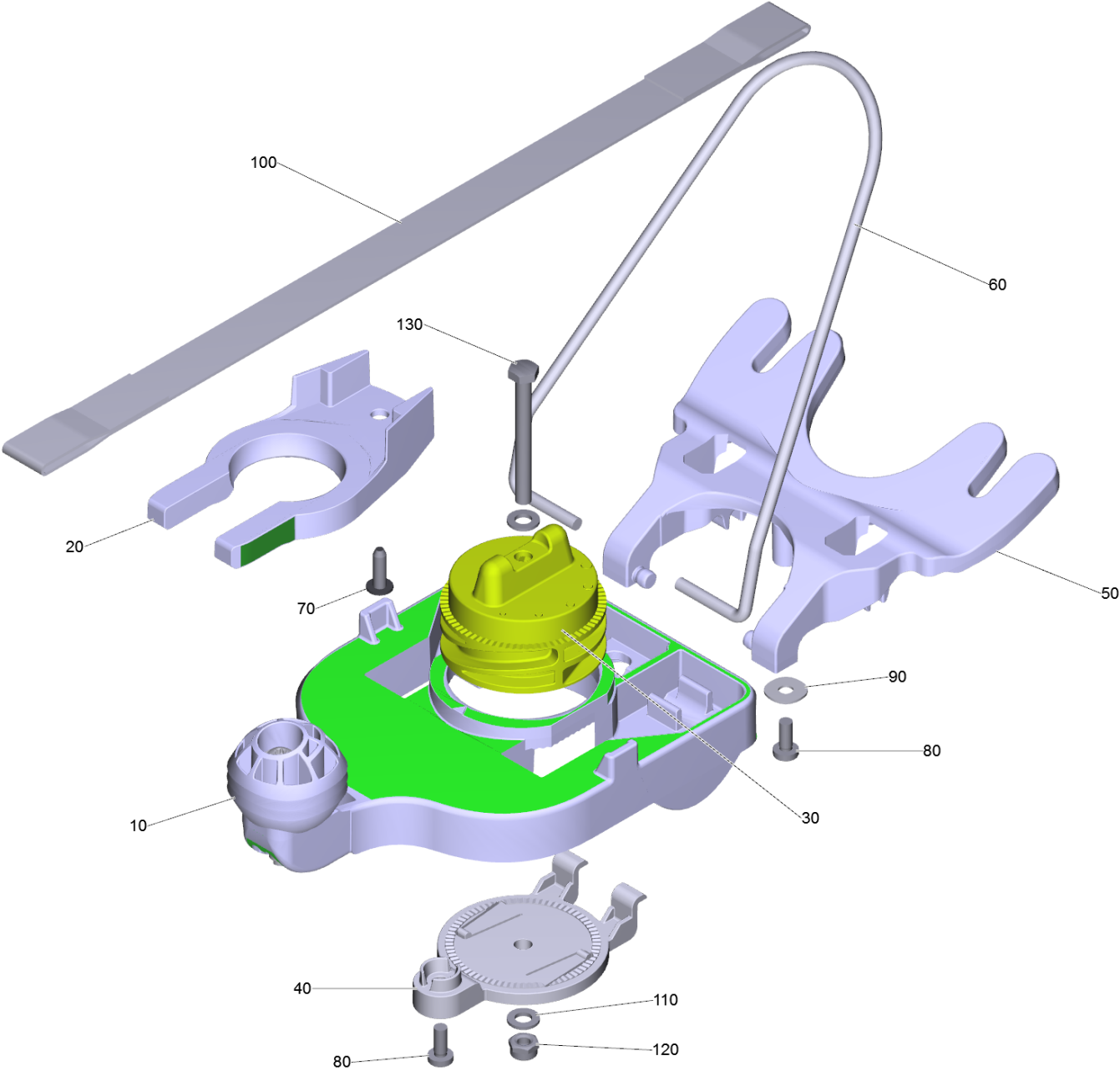
Version 2

100 Brush-head complete B 25

POS	Article no.	Description	Quantity	Unit	Remark	Foot note text
10	9.753-044.0	Brush contact pressure complete B 25	1.000	ST		
70	9.755-639.0	Covering cap brush-head for replacement	1.000	ST		FOR DEVICES WITH SOLENOID VALVE
70	9.755-545.0	Covering cap brush-head replacement D43	1.000	ST		FOR MACHINES WITHOUT SOLENOID VALVE
140	5.035-499.0	Deflector roll	1.000	ST		
40	4.905-022.0	Disc brush complete red D43	1.000	ST		
100	9.763-076.0	Extension spring	1.000	ST		
20	5.035-498.0	Fixing deflector roll	1.000	ST		
180	7.304-395.0	Hexagonal head screw M8x16-8.8-A2E ISO	1.000	ST		
90	6.388-559.0	Hose clip	1.000	ST		
60	6.373-689.0	Pipe clamp	2.000	ST		
30	5.037-537.0	Retainer transmission	1.000	ST		
50	9.763-023.0	Retaining bracket discharge	1.000	ST		
220	9.763-325.0	Rubber cover ball valve	1.000	ST	Version 2	
220	9.763-054.0	Rubber stopper ball valve	1.000	ST	Version 1	
120	7.303-107.0	Screw 5x16 -10.9-P2R (K-In6Rd)	2.000	ST		
130	7.303-108.0	Screw 5x20 -10.9-R2R (In6Rd)	9.000	ST		
150	6.303-315.0	Screw 8 x 35	9.000	ST		
170	9.763-194.0	Screw M6x20 -A2-70 Scotchgrip	8.000	ST		
210	9.763-046.0	Seal string cellular rubber turbine	1.000	ST		
110	9.763-073.0	Splash-proof profile brush-head D43	1.000	ST		
80	5.039-179.0	Threaded plate	1.000	ST		
190	7.312-267.0	Washer 5-A2 ISO 7094	2.000	ST		
160	7.312-026.0	Washer 6 -A2 ISO 7089	8.000	ST		
200	7.312-268.0	Washer 8 -A2 ISO 7094	1.000	ST		

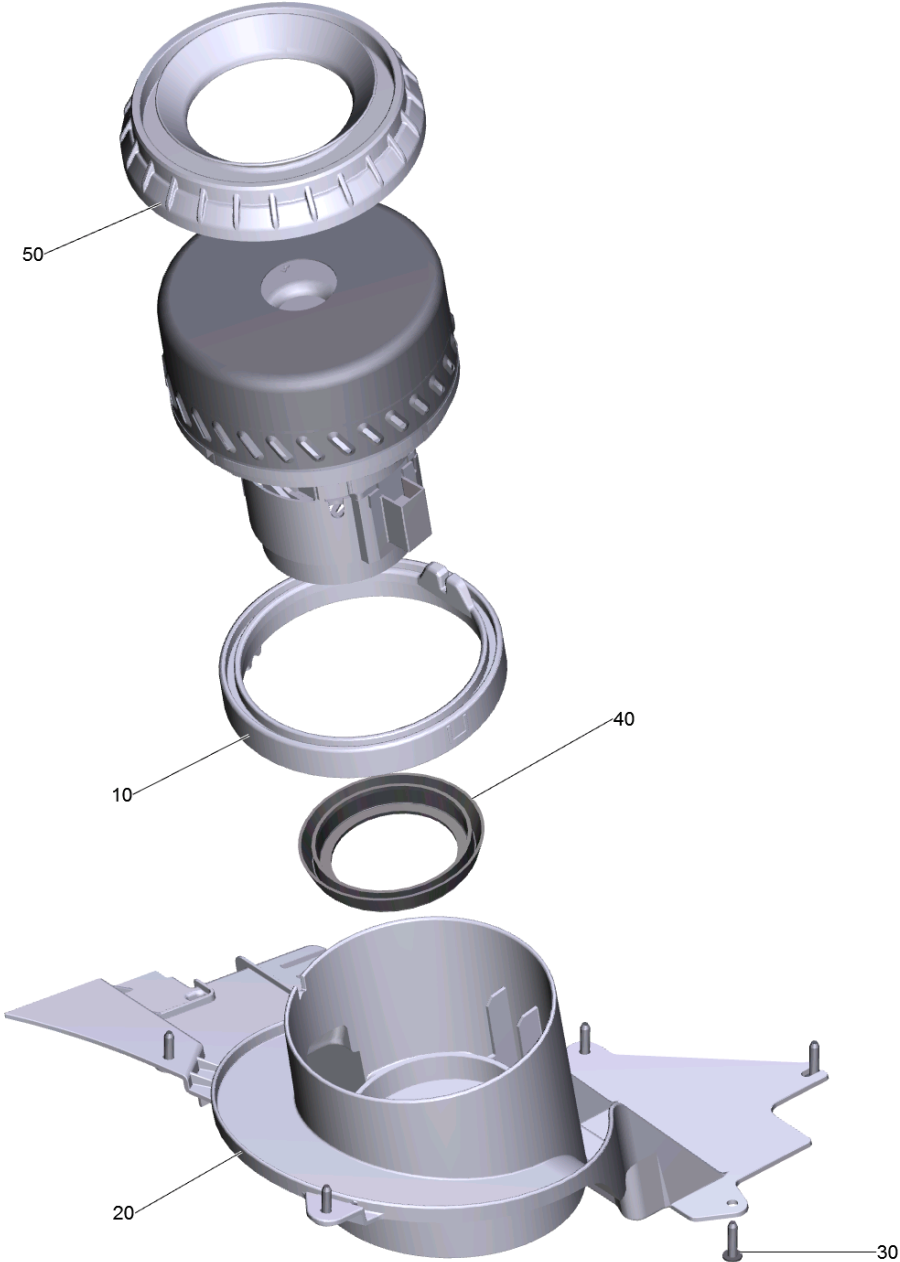
40 Disc brush complete red D43 (4.905-022.0)

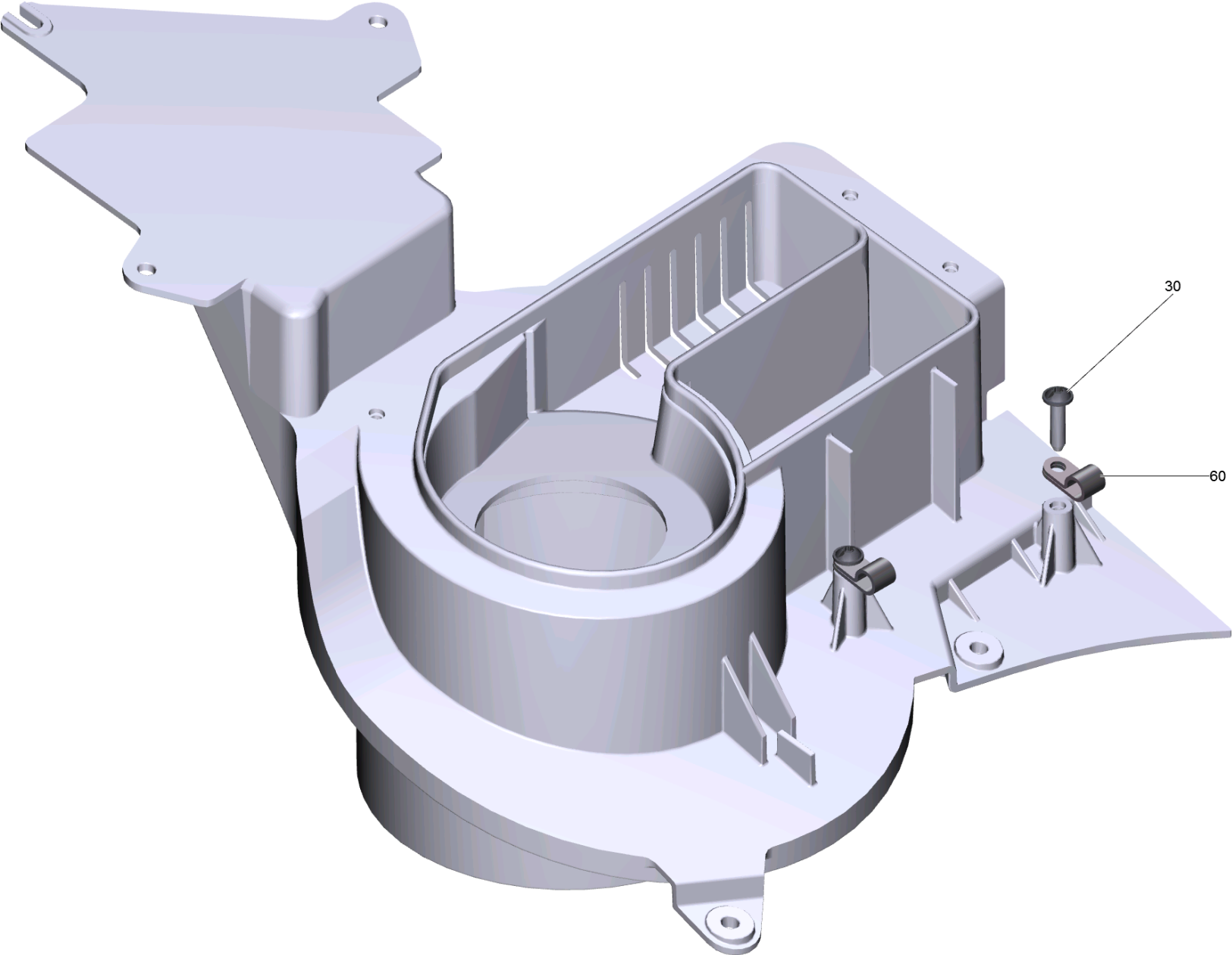
POS	Article no.	Description	Quantity	Unit
2	5.033-002.0	Retainer brush SWS	1.000	ST



110 Suction bar lifting complete

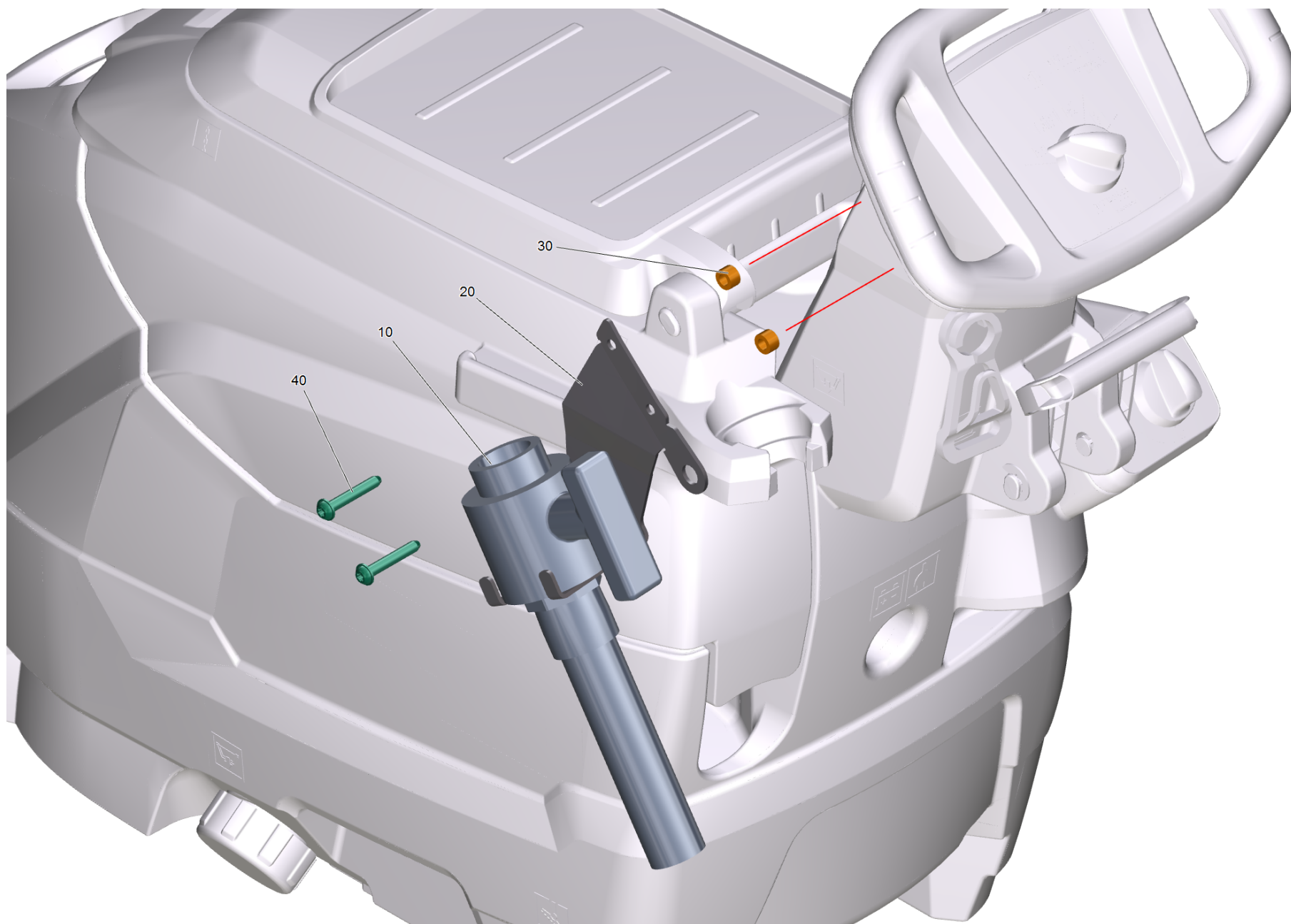
POS	Article no.	Description	Quantity	Unit
30	5.035-292.0	Adjusting knob suction bar toothing	1.000	ST
40	5.035-293.0	Covering cap suction bar toothing	1.000	ST
20	5.034-141.0	Fixing plate suction bar	1.000	ST
130	7.304-085.0	Hexagonal head screw M6x55-8.8-A2E ISO	1.000	ST
120	7.311-425.0	Hexagon nut M6 -04-A2E DIN 985	1.000	ST
10	5.035-354.0	Holder suction bar	1.000	ST
60	9.763-049.0	Retaining bracket suction beam retractio	1.000	ST
50	5.036-103.0	Rocker suction bar	1.000	ST
70	7.303-107.0	Screw 5x16 -10.9-P2R (K-In6Rd)	1.000	ST
80	7.306-181.0	Screw M 5x 12-A2-70 (In6Rd)	2.000	ST
100	9.763-055.0	Strap suction bar	1.000	ST
90	7.312-282.0	Washer 5 -A2 ISO 7093-1	1.000	ST
110	7.312-110.0	Washer A6,4 -200HV-GE3A ISO 7089	2.000	ST





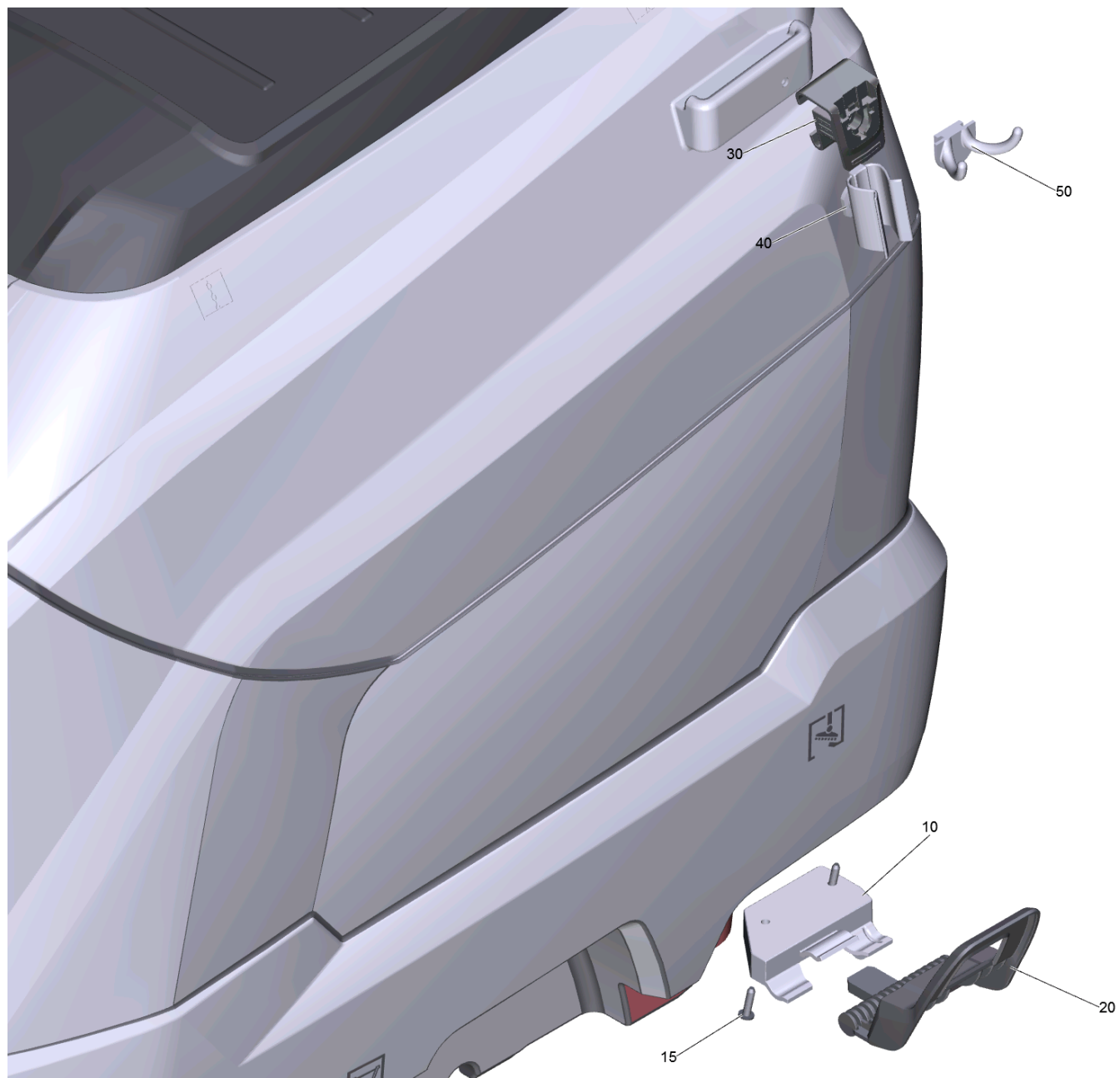
120 Retainer turbine complete B50 CS

POS	Article no.	Description	Quantity	Unit
20	9.763-018.0	Air circulation turbine	1.000	ST
50	5.035-333.0	Bearing vacuum motor	1.000	ST
60	9.763-126.0	Cable clamp D9,5	2.000	ST
10	9.763-188.0	Joint ring turbine	1.000	ST
30	7.303-108.0	Screw 5x20 -10.9-R2R (In6Rd)	7.000	ST
40	5.363-395.0	Seal	1.000	ST



230 Add-on kit drain hose ball valve BD 43 (2.643-977.0)

POS	Article no.	Description	Quantity	Unit
20	5.036-215.0	Blank holder add-on kit drain hose BD 43	1.000	ST
10	9.753-072.0	Drain hose with ball valve	1.000	ST
40	7.303-275.0	Screw 8x50 -10.9-A3E (In6Rd)	2.000	ST
30	5.095-901.0	spacer	2.000	ST



9500 Mop holder complete (9.753-023.0)

POS	Article no.	Description	Quantity	Unit
30	5.035-488.0	Adapter Homebase	2.000	ST
50	6.980-077.0	Double hook	1.000	ST
10	9.763-074.0	Fixing mop support	1.000	ST
40	6.980-078.0	Holder handhold grey	1.000	ST
15	7.303-109.0	Screw 5x25 -10.9-R2R (In6Rd)	3.000	ST
20	9.763-133.0	Support mop	1.000	ST