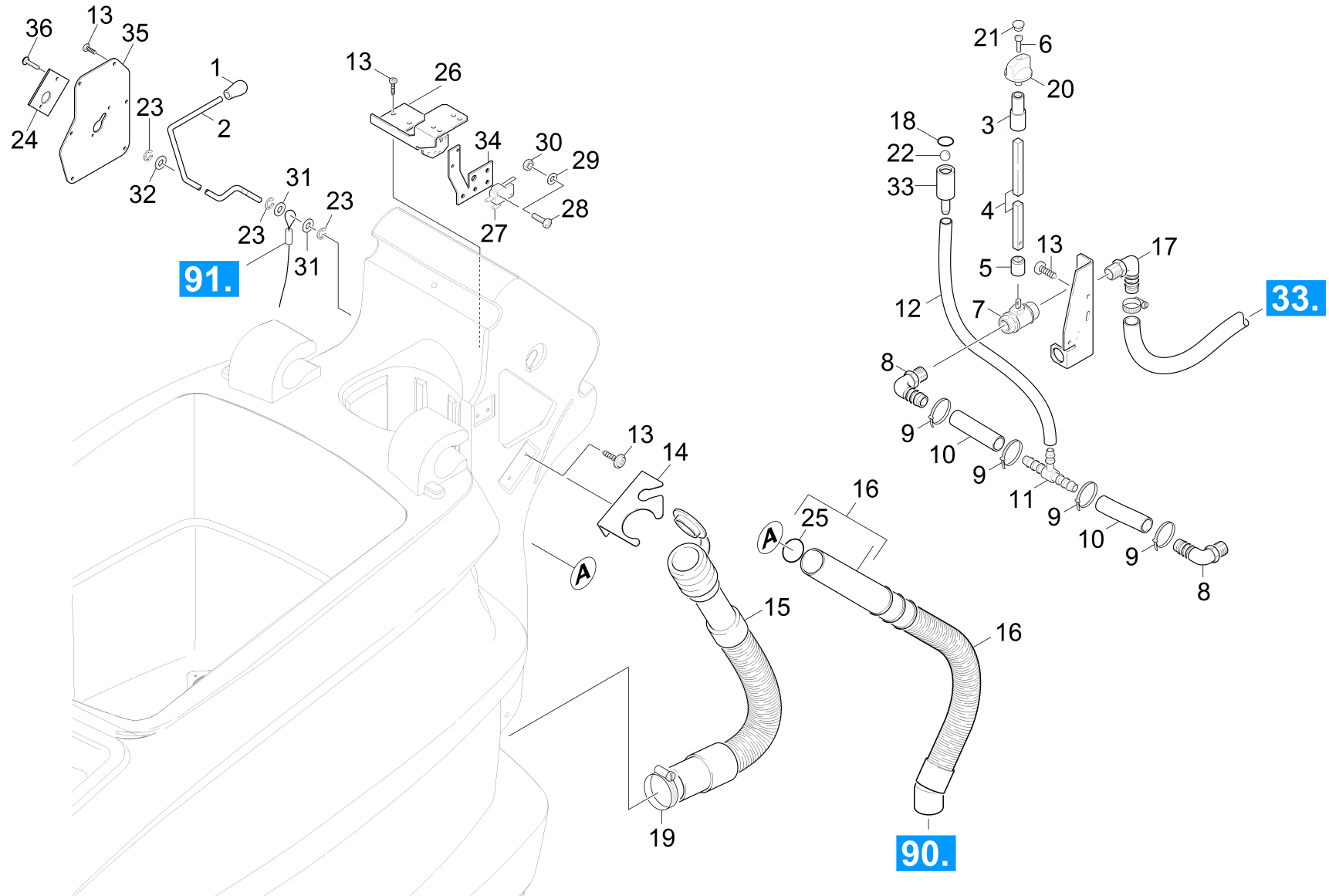


## 40 Piping

Overview technical documents/Professional/Floor cleaner/Walk behind/BR 55/60 W (1.384-124.0)/Spare parts list BR/BD 55/60 DOSE/40 Piping



## 40 Piping

Overview technical documents/Professional/Floor cleaner/Walk behind/BR 55/60 W (1.384-124.0)/Spare parts list BR/BD 55/60 DOSE/40 Piping

Rez.daļas/nodil.pakļ.daļas	Poz.	Materiāla Nr.	Nosaukums	Daudzums	Pārdoš. vienība	no sēr. Nr..	līdz sēr. Nr.
	1	6.321-154.0	Push button D 8	1.000	ST	0000000000	0000000000
X-X	2	5.481-380.0	Lever suction bar cleaning agents	1.000	ST	0000000000	0000000000
	3	5.470-053.0	Coupler tin	1.000	ST		
	4	5.107-243.0	Bar fixing ball valve	1.000	ST	0000000000	0000000000
	5	5.470-033.0	Savienojums	1.000	ST	0000000000	0000000000
	6	7.303-065.0	sheet metal screw	1.000	ST	0000000000	0000000000
	7	6.413-586.0	Ball valve without handhold	1.000	ST	0000000000	0000000000
X	8	5.443-481.0	Leņķveida uzgalis	2.000	ST	0000000000	0000000000
	9	6.641-474.0	Kabeļu aptvere 8-210	4.000	ST	0000000000	0000000000
X	10	6.390-324.0	Hose DN15	1.000	M		
	11	6.389-889.0	T-Piece 15/8/15	1.000	ST		
	12	6.390-988.0	Hose	1.000	M		
X	13	7.303-107.0	Skrūve 5x16 -10.9-P2R (K-In6Rd)	8.000	ST	0000000000	0000000000
	14	5.061-374.0	Sheet metal component discharge	1.000	ST		
X-X	15	6.390-609.0	Aizplūdes šļūtene DN38 BR/BD 750/TRIKE	1.000	ST	0000000000	0000000000
X-X	16	4.390-008.0	Suction hose complete	1.000	ST		
X-X	16	4.390-004.0	Suction hose	1.000	ST		
	17	6.389-899.0	Spare part	1.000	ST	0000000000	0000000000
	18	6.362-101.0	Gredzenblīve 8 X 2	1.000	ST		
	19	6.388-713.0	hose clip	1.000	ST	0000000000	0000000000
	20	5.321-509.0	Handhold	1.000	ST	0000000000	0000000000
	21	6.368-076.0	Ornamental hub cap D10/D12	1.000	ST	0000000000	0000000000
	22	6.472-982.0	Sphere D10	1.000	ST		
	23	7.343-300.0	Sprostpaplāksne 7-A2 DIN 6799	3.000	ST	0000000000	0000000000
	24	5.049-826.0	Sheet metal component	1.000	ST	0000000000	0000000000

## 40 Piping

Overview technical documents/Professional/Floor cleaner/Walk behind/BR 55/60 W (1.384-124.0)/Spare parts list BR/BD 55/60 DOSE/40 Piping

Rez.daļas/nodil.pakļ.daļas	Poz.	Materiāla Nr.	Nosaukums	Daudzums	Pārdoš. vienība	no sēr. Nr..	līdz sēr. Nr.
X	25	6.362-090.0	O-Ring seal 46,0 X 3,0-NBR 70	1.000	ST		
	26	5.062-088.0	Sheet metal component stop lifting	1.000	ST	0000000000	0000000000
	27	6.630-635.0	Micro switch lever suction bar	1.000	ST	0000000000	0000000000
	28	7.306-406.0	Cylinder head screw M3x16-4.8-A2E ISO 1	2.000	ST	0000000000	0000000000
	29	7.312-043.0	Washer 3-A2 ISO 7089	2.000	ST	0000000000	0000000000
	30	7.311-000.0	Hexagon nut M3 -8-A2E ISO 4032	2.000	ST	0000000000	0000000000
	31	7.312-004.0	Paplāksne 8 -200HV-A3E ISO 7090	2.000	ST	0000000000	0000000000
	32	7.312-153.0	Washer 10 -160HV-A3E EN28738	1.000	ST	0000000000	0000000000
	33	5.110-956.0	SLEEVE	1.000	ST		
	34	5.061-267.0	Sheet metal component micro switch	1.000	ST		
	35	5.061-263.0	Covering cap lever suction bar	1.000	ST		
	36	7.303-105.0	Screw 5x25 -A2-70-bk (In6Rd)	2.000	ST		