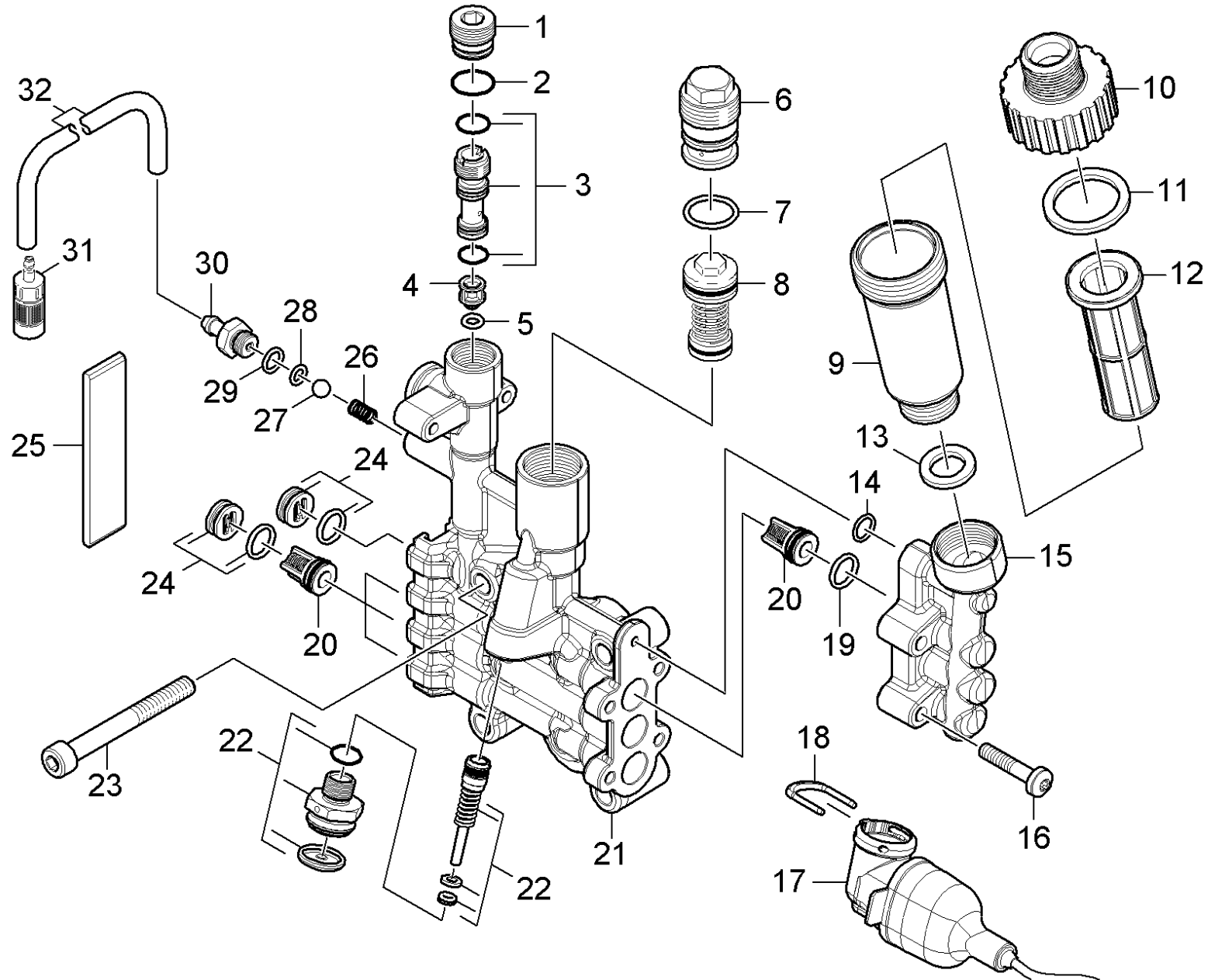


21 Cylinder head

Professional \ High pressure cleaner hotwater \ Electric motor \ HDS 5/15 U *EU \ Spare parts list HDS 5/15 \ Pump set \ Cylinder head



21 Cylinder head

Professional \ High pressure cleaner hotwater \ Electric motor \ HDS 5/15 U *EU \ Spare parts list HDS 5/15 \ Pump set \ Cylinder head



POS	Article no.	Description	Quantity	Unit	Foot note text
1	5.411-171.0	Screw plug	1	PC	
2	6.362-480.0	O-Ring seal 12,42x 1,78	1	PC	
3	4.769-034.0	Nozzle insert only for replacement	1	PC	
4	4.584-022.0	Valve pin complete	1	PC	
5	6.363-613.0	O-Ring seal 4 x 2 -NBR90	1	PC	
6	5.411-172.0	Screw plug	1	PC	
7	6.362-989.0	O-Ring seal 18x2 - NBR 80	1	PC	
8	4.591-038.3	Overflow valve for replacement	1	PC	
9	5.731-003.0	Filter housing brass	1	PC	
10	5.064-354.0	Cover water intake	1	PC	
11	5.363-336.0	Seal	1	PC	
12	5.731-634.0	Water filter	1	PC	
13	5.363-545.0	Seal	1	PC	
14	6.362-384.0	O-Ring seal 9x1,5 - NBR 70	1	PC	
15	5.064-383.0	Suction cover	1	PC	
16	7.306-105.0	Screw M6x30 -8.8-R3R (In6Rd)	4	PC	
17	4.744-242.0	Switch kpl. -nur für Ersatz-	1	PC	
18	5.034-494.0	Retaining bracket	1	PC	
19	6.362-533.0	O-Ring seal 14,0 X 1,5-NBR 70	3	PC	
20	2.884-916.0	Valve (3 Stück)	2	PC	SET WITH 3 PIECES
21	5.550-372.3	Cylinder head	1	PC	
22	2.885-220.3	Spare part set control piston	1	PC	
23	7.306-106.0	Cylinder head screw M8x70 -8.8-A2E ISO4	4	PC	
24	4.132-007.0	Drain plug only for replacement	4	PC	
25	5.003-062.0	Plate	1	PC	
26	5.332-258.0	Helical spring	1	PC	
27	7.401-908.0	Sphere 7 G300 -1.4301 DIN 5401	1	PC	
28	6.363-597.0	O-Ring seal 5,28 x 1,78	1	PC	
29	6.362-113.0	O-Ring seal 6,0 x 2,0 NBR 70	1	PC	
30	5.443-624.0	Nipple	1	PC	
31	4.862-225.0	Filter chemistry regulation	1	PC	
32	6.388-216.0	Hose DN 5 (PVC)	1	m	TO ORDER AS CUT GOODS
100	2.883-997.0	PUMP SET HD 5/12 C	1	PC	