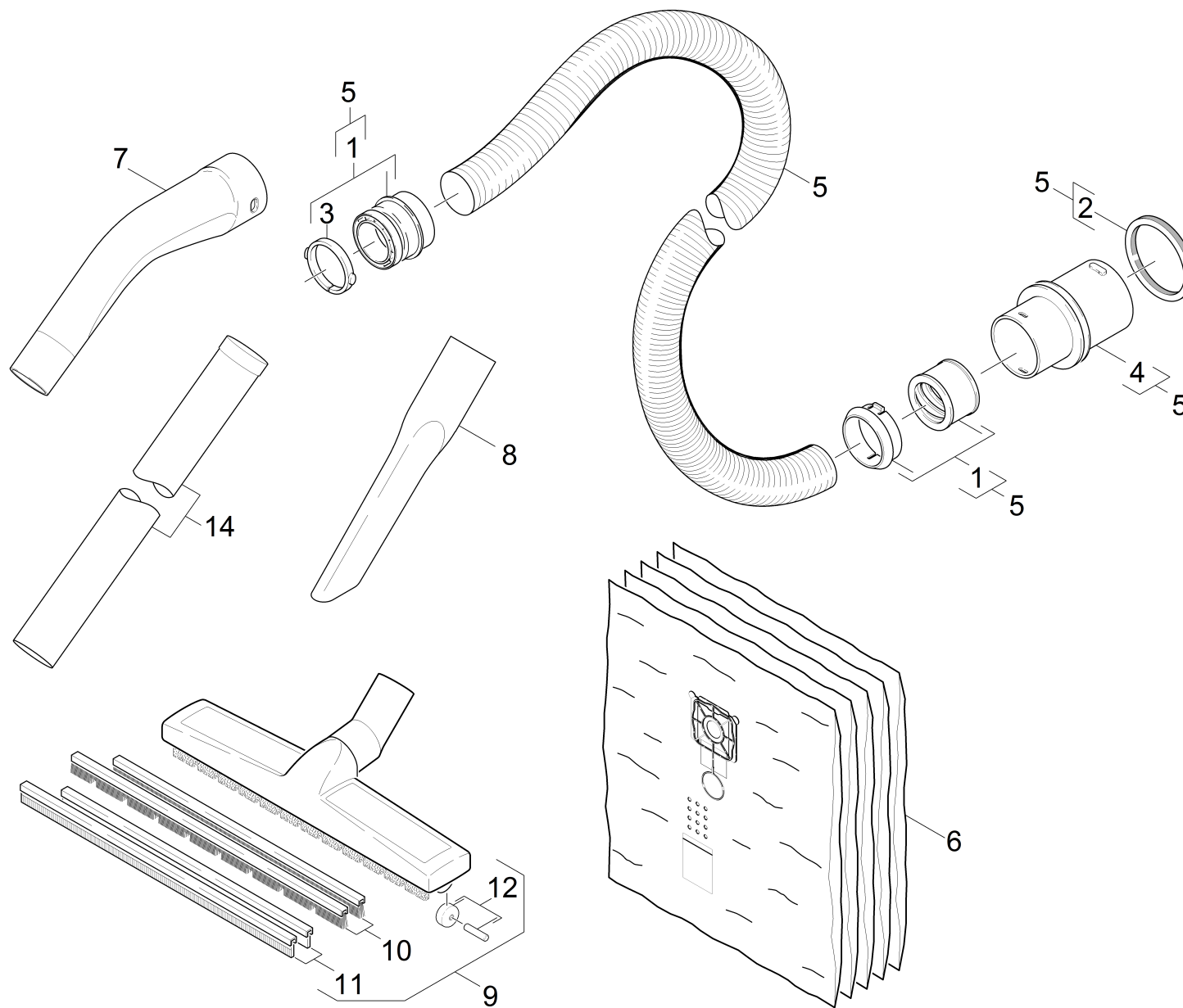


## 50 Accessories

Overview technical documents/Professional/Vacuum cleaner/Wet-/dry vacuum cleaner/NT 75/1 Tact Me Te H \*EU (1.667-294.0)/Spare parts list NT 75/1 Tact Me Te H \*E/50 Accessories



## 50 Accessories

Overview technical documents/Professional/Vacuum cleaner/Wet-/dry vacuum cleaner/NT 75/1 Tact Me Te H \*EU (1.667-294.0)/Spare parts list NT 75/1 Tact Me Te H \*E/50 Accessories

ET/VT (spare/wear parts)	Pos	Material #	Name	Qty.	Unit	from ser.nr.	up to ser.nr.
	1	2.639-690.0	Repair set	1.000	ST	0000000000	0000000000
X	2	6.273-009.0	Joint ring EPDM	1.000	ST	0000000000	0000000000
	3	5.031-703.0	Tension ring C35	1.000	ST	0000000000	0000000000
	4	5.443-471.0	Hosebarb	1.000	ST	0000000000	0000000000
	5	6.906-275.0	Suction hose C35	1.000	ST		
X-X	6	6.904-420.0	Safety filter bag 5 Stck.	1.000	ST		
X-X	7	5.031-939.0	Elbow	1.000	ST		
X-X	8	6.906-240.0	Crevice nozzle DN35	1.000	ST	0000000000	0000000000
	9	6.907-409.0	Floor tool packaged basalt grey DN35	1.000	ST	0000000000	0000000000
	10	6.905-878.0	Brush strips set only for replacement	1.000	ST	0000000000	0000000000
X	11	6.905-877.0	Rubber lip set only for replacement	1.000	ST	0000000000	0000000000
	12	4.515-342.0	Roller complete with axle	2.000	ST	0000000000	0000000000
X	14	6.900-514.0	Suction tube DN35	2.000	ST		