

Spare parts list

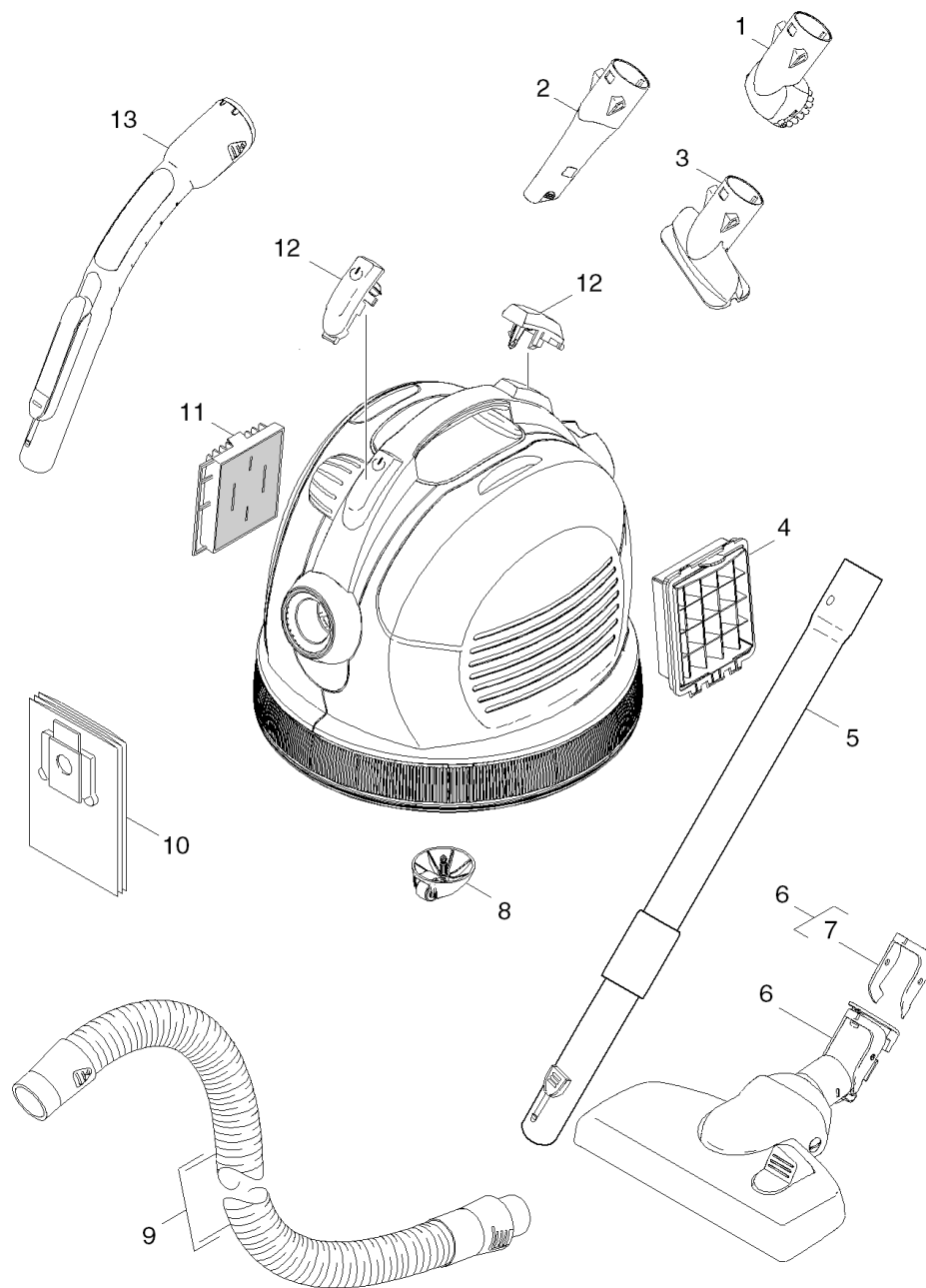
(1.195-501.0) VC 6100 *EU

Table of contents

VC 6100 *EU (1.195-501.0)	3
Short spare parts list	4
220 Spare parts list VC 6100 (5.970-360.0)	6
10 Individual parts	7
11 Top part	8
12 Bottom part	11
20 Vac motor	13
30 Accessories	15

VC 6100 *EU (1.195-501.0)

POS	Article no.	Description	Quantity	Unit
0		Short spare parts list	1.000	ST
220	5.970-360.0	Spare parts list VC 6100	1.000	ST



Short spare parts list

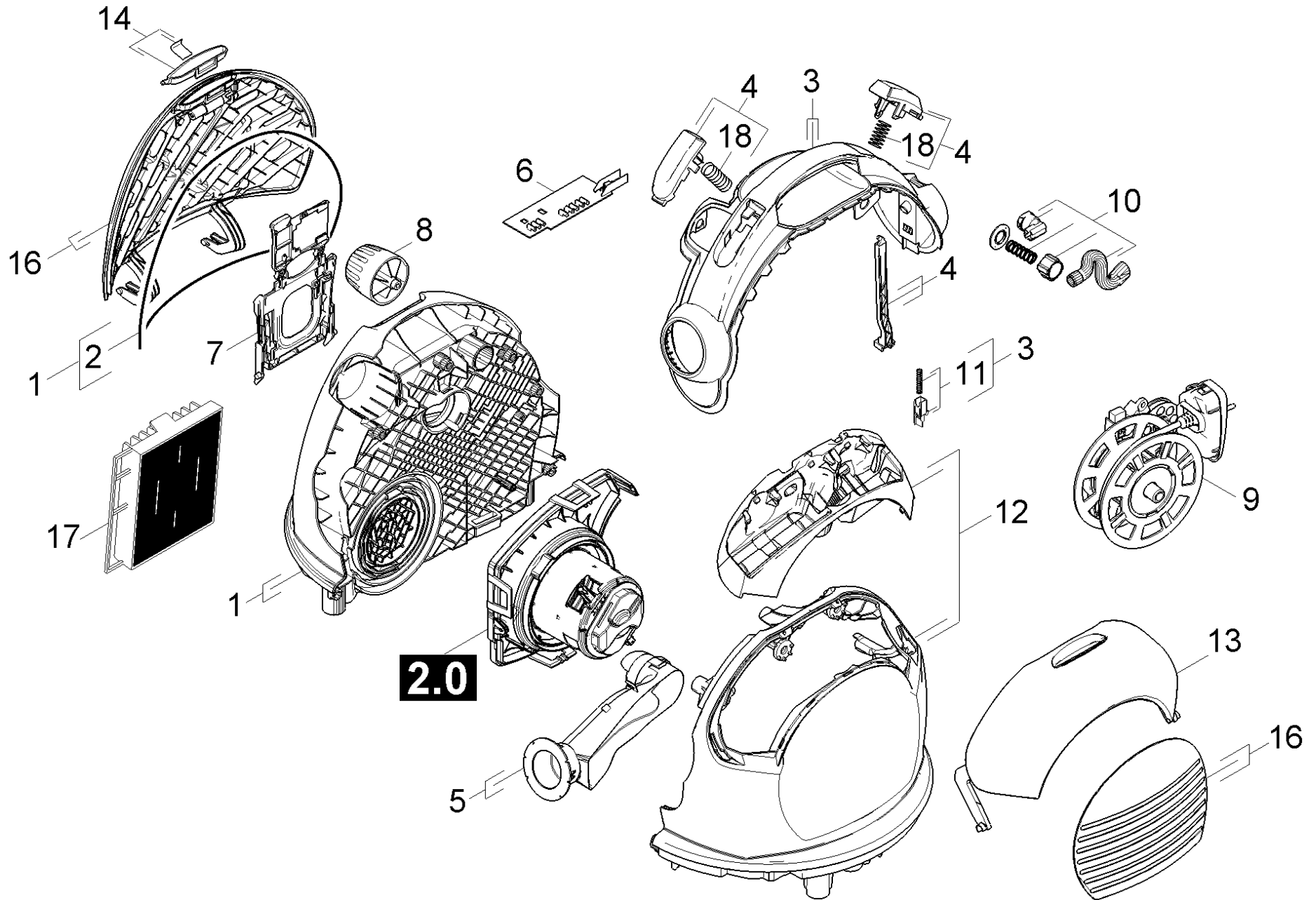
POS	Article no.	Description	Quantity	Unit
1	4.195-005.0	Furniture brush	1.000	ST
2	4.195-202.0	Crevice nozzle telescope	1.000	ST
3	4.195-004.0	Upholstery nozzle	1.000	ST
4	6.414-805.0	Filter HEPA 12 VC	1.000	ST
5	6.902-066.3	Telescopic tube complete	1.000	ST
6	4.195-131.0	Floor tool Comfoglide 2006	1.000	ST
7	5.195-233.0	Lever connection piece	1.000	ST
8	4.195-063.0	Castor complete	1.000	ST
9	6.901-058.0	Suction hose complete	1.000	ST
10	6.904-329.0	Filter bag fleece VC 5pc.	1.000	ST
11	6.414-799.0	Filter motor complete	1.000	ST
12	4.195-007.0	Pushbutton only for replacement	2.000	ST

220 Spare parts list VC 6100 (5.970-360.0)

POS	Description	Quantity	Unit
10	Individual parts	1.000	ST
20	Vac motor	1.000	ST
30	Accessories	1.000	ST

10 Individual parts

POS	Description	Quantity	Unit
11	Top part	1.000	ST
12	Bottom part	1.000	ST

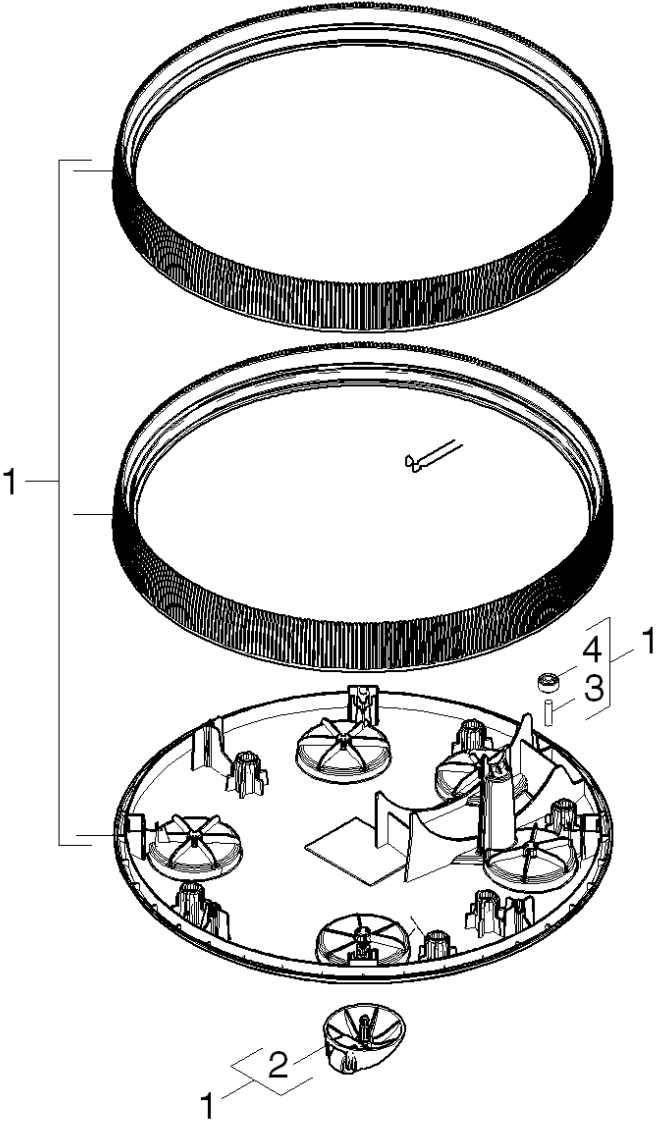


11 Top part

POS	Article no.	Description	Quantity	Unit	Remark	Foot note text
1	4.195-031.0	Housing dust space only for replacement	1.000	ST		
	Item text1: /1.195-524.0					
1	4.195-001.0	Housing dust space only for replacement	1.000	ST		
	Item text1: /1.195-501.0 / -502.0 / -503.0 / -504.0 / -505.0 / -507.0 / -521.0 / -522.0 / -523.0					
2	6.273-104.0	Seal cellular rubber /sealing soft tube	1.000	M		TO ORDER AS CUT GOODS
3	4.195-006.0	Carrier handle only for replacement	1.000	ST		
4	4.195-007.0	Pushbutton only for replacement	1.000	ST		
5	4.195-002.0	Tube complete	1.000	ST		
6	6.683-048.0	Control system VC 6xxx	1.000	ST	*JP	
6	6.683-048.0	Control system VC 6xxx	1.000	ST		
7	4.195-109.0	Retainer filter bag complete	1.000	ST		
8	4.195-008.0	Power controller complete only for repla	1.000	ST		
9	6.650-318.0	Cable automatic complete AU	1.000	ST	/*AU	
9	6.650-087.0	Cable automatic *CH	1.000	ST	/*CH	
9	6.649-276.0	Cable automatic GB	1.000	ST	/*GB	
9	6.649-110.0	Cable automatic complete	1.000	ST	/*EU	
10	4.195-146.0	Valve cooling air nur fuer Ersatz	1.000	ST		
11	4.195-012.0	Snap-fit only for replacement	1.000	ST		
12	4.195-013.0	Housing accessories only for replacement	1.000	ST		
	Item text1: /1.195-501.0 / -502.0 / -503.0 / -504.0 / -505.0 / -507.0 / -521.0 / -522.0 / -523.0					
12	4.195-032.0	Housing accessories only for replacement	1.000	ST		
	Item text1: /1.195-524.0					
13	5.195-091.0	Cover accessory shed	1.000	ST		
	Item text1: /1.195-524.0					
13	5.195-091.0	Cover accessory shed	1.000	ST		
	Item text1: /1.195-501.0 / -502.0 / -503.0 / -504.0 / -505.0 / -507.0 / -521.0 / -522.0 / -523.0					
14	4.195-167.0	Pushbutton complete replacement VC 6	1.000	ST		
16	4.195-033.0	Cover dust space only for replacement	1.000	ST		

11 Top part

POS	Article no.	Description	Quantity	Unit	Remark	Foot note text
	Item text1: /1.195-524.0					
16	4.195-015.0	Cover dust space only for replacement	1.000	ST		
	Item text1: /1.195-501.0 / -502.0 / -503.0 / -504.0 / -505.0 / -507.0 / -521.0 / -522.0 / -523.0					
17	6.414-799.0	Filter motor complete	1.000	ST		
18	6.330-170.0	Pressure spring	2.000	ST		

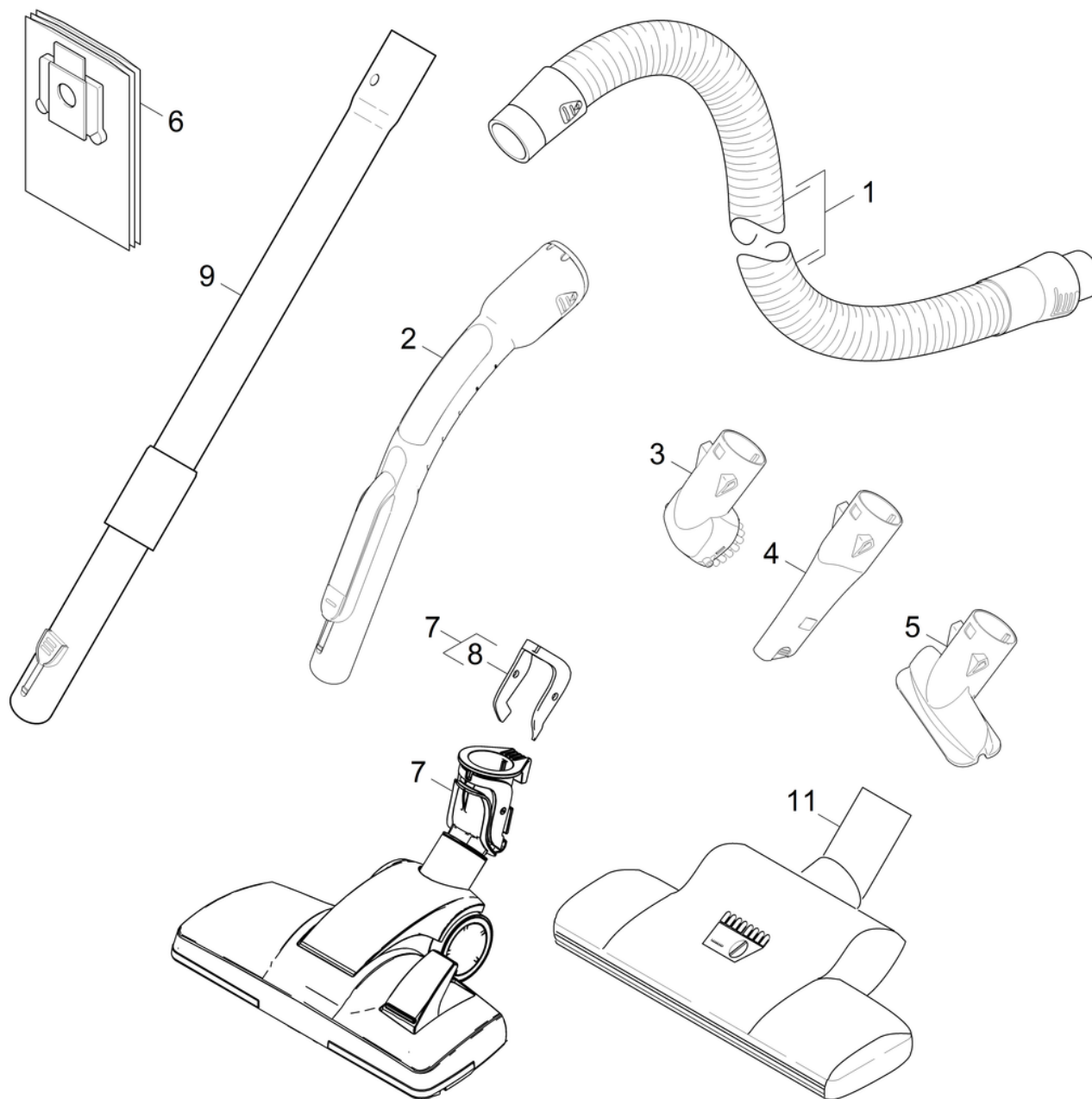


12 Bottom part

POS	Article no.	Description	Quantity	Unit
1	4.195-014.0	Housing bottom part only for replacement	1.000	ST
2	4.195-063.0	Castor complete	5.000	ST
3	5.314-099.0	Straight pin	8.000	ST
4	5.195-062.0	Roller impact ring	8.000	ST

20 Vac motor

POS	Article no.	Description	Quantity	Unit	Foot note text
1	4.195-010.0	Vac motor only for replacement	1.000	ST	VERSION 1
	Item text1: //1.195-501.0/-504.0				
1	4.195-147.0	Vac motor for replacement 1800 W	1.000	ST	VERSION 2
	Item text1: /1.195-501.0 / -502.0 / -503.0 / -504.0 / -507.0 / -521.0 / -522.0 / -523.0 / -524.0				
1	4.195-017.0	Vac motor only for replacement 1800W	1.000	ST	VERSION 1
	Item text1: //1.195-502.0 / -503.0 / -521.0 / -522.0				
	Item text2: / -523.0 / -524.0				
2	4.195-148.0	Motor housing for replacement	1.000	ST	VERSION 2
2	4.195-011.0	Motor housing only for replacement	1.000	ST	VERSION 1
3	7.777-999.0	Stockpiling discontinued	1.000	ST	
	Item text1: /1.195-525.0				
3	6.414-805.0	Filter HEPA 12 VC	1.000	ST	
	Item text1: /1.195-501.0 / -502.0 / -503.0 / -504.0 / -505.0 / -507.0 / -521.0 / -522.0 / -523.0 / 524.0				



30 Accessories

POS	Article no.	Description	Quantity	Unit
1	6.901-058.0	Suction hose complete	1.000	ST
2	4.195-125.0	Hand tube complete	1.000	ST
3	4.195-005.0	Furniture brush	1.000	ST
4	4.195-202.0	Crevice nozzle telescope	1.000	ST
5	4.195-004.0	Upholstery nozzle	1.000	ST
6	6.904-329.0	Filter bag fleece VC 5pc.	1.000	ST
7	4.195-083.0	Floor tool RD296 VC 6	1.000	ST
8	5.195-233.0	Lever connection piece	1.000	ST
9	6.902-144.3	Telescopic tube complete	1.000	ST
11	4.130-177.0	Turbo suction nozzle VC	1.000	ST