

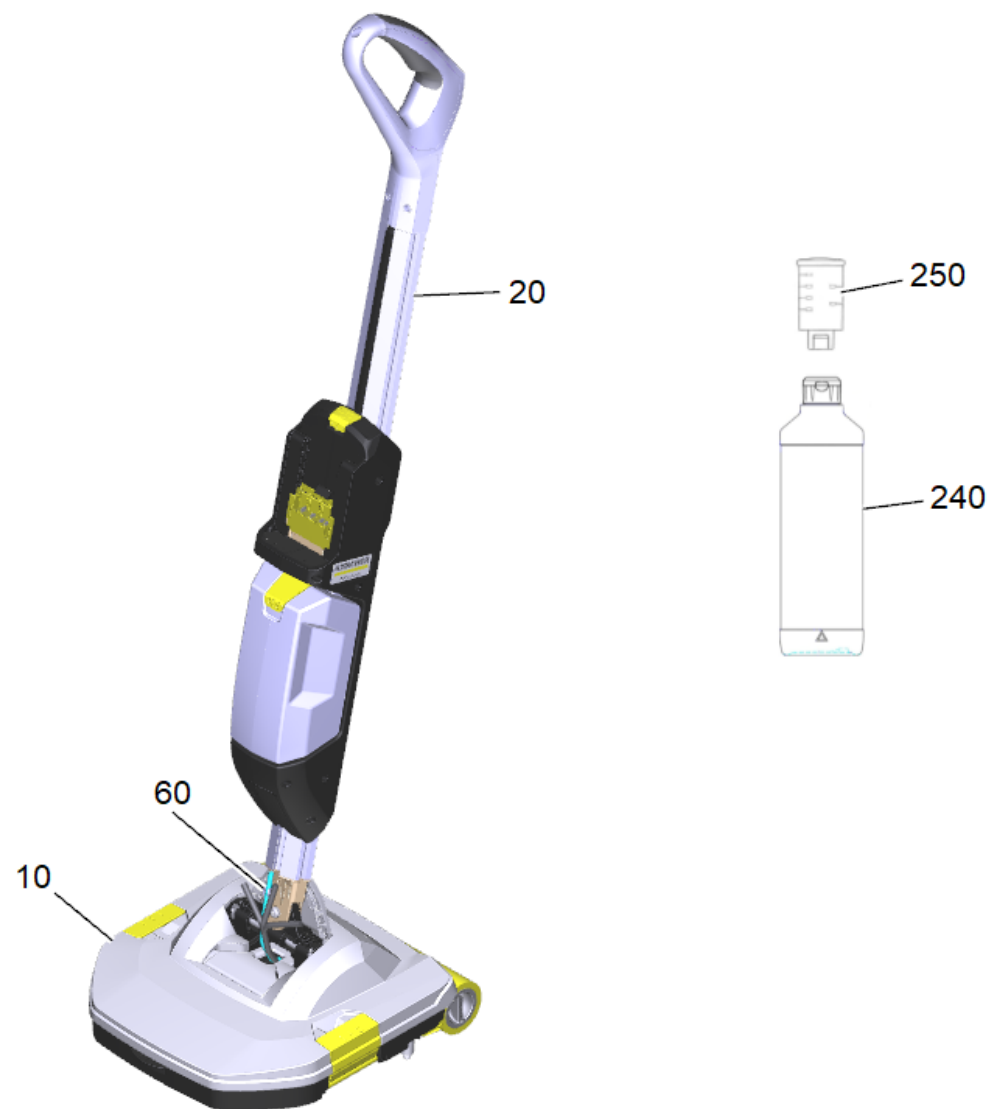
## **Spare parts list**

(1.783-054.0) BR 30/1 C Bp

## Table of contents

---

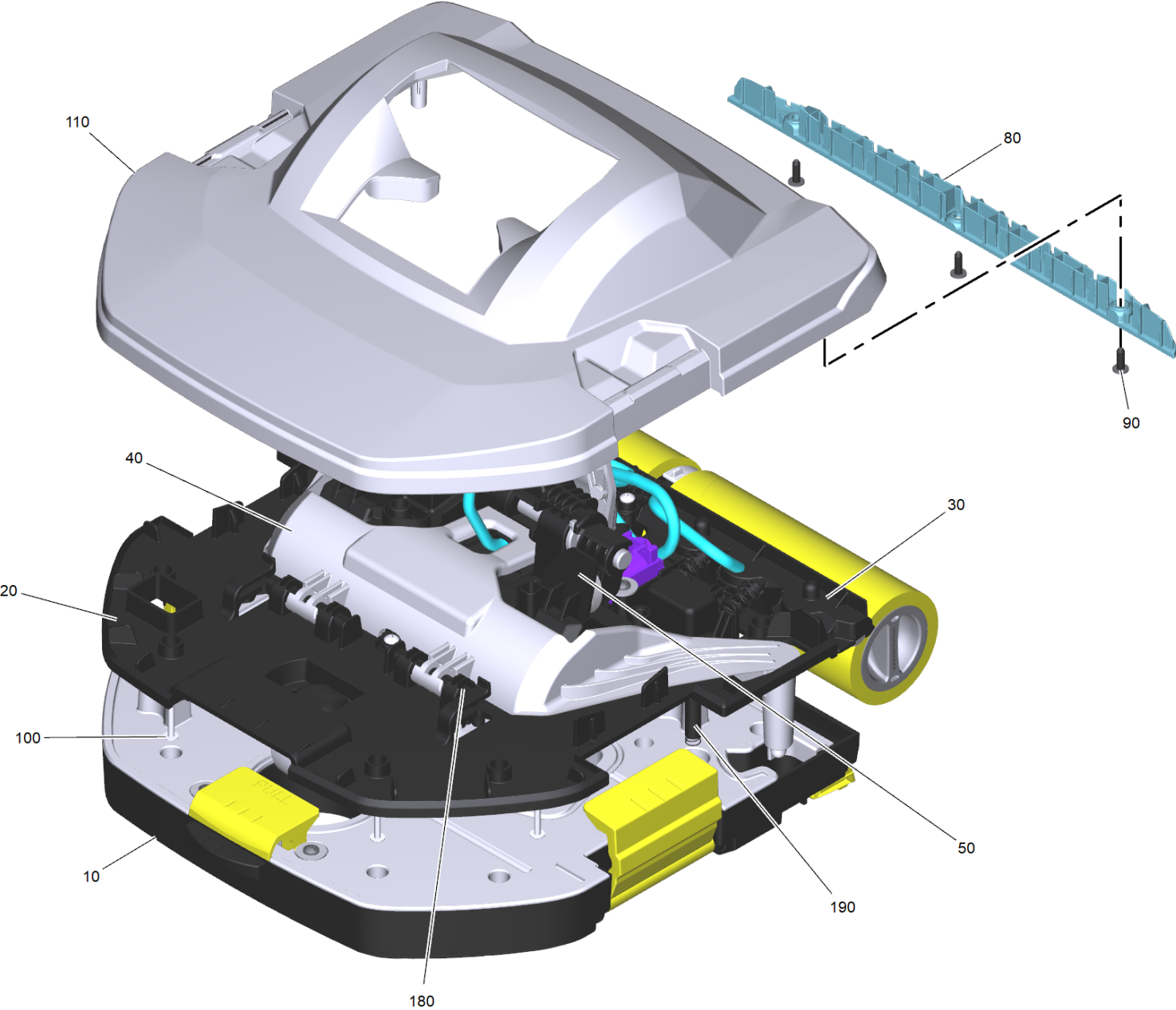
BR 30/1 C Bp (1.783-054.0)	3
10 Brush-head	5
10 Dirt water tank complete (4.030-027.3)	8
20 Gear complete	10
10 Gear for replacement (4.030-071.0)	12
140 Driveshaft replacement (4.030-003.3)	14
30 Strip water distribution replacement (4.030-038.3)	16
50 Joint complete	18
20 Handle	20
90 Handhold complete	22
30 Hand grip top part replacement (5.030-052.3)	24
220 Set locking part (4.071-636.0)	26
270 Control system cpl. BR30/1 (4.683-415.0)	28

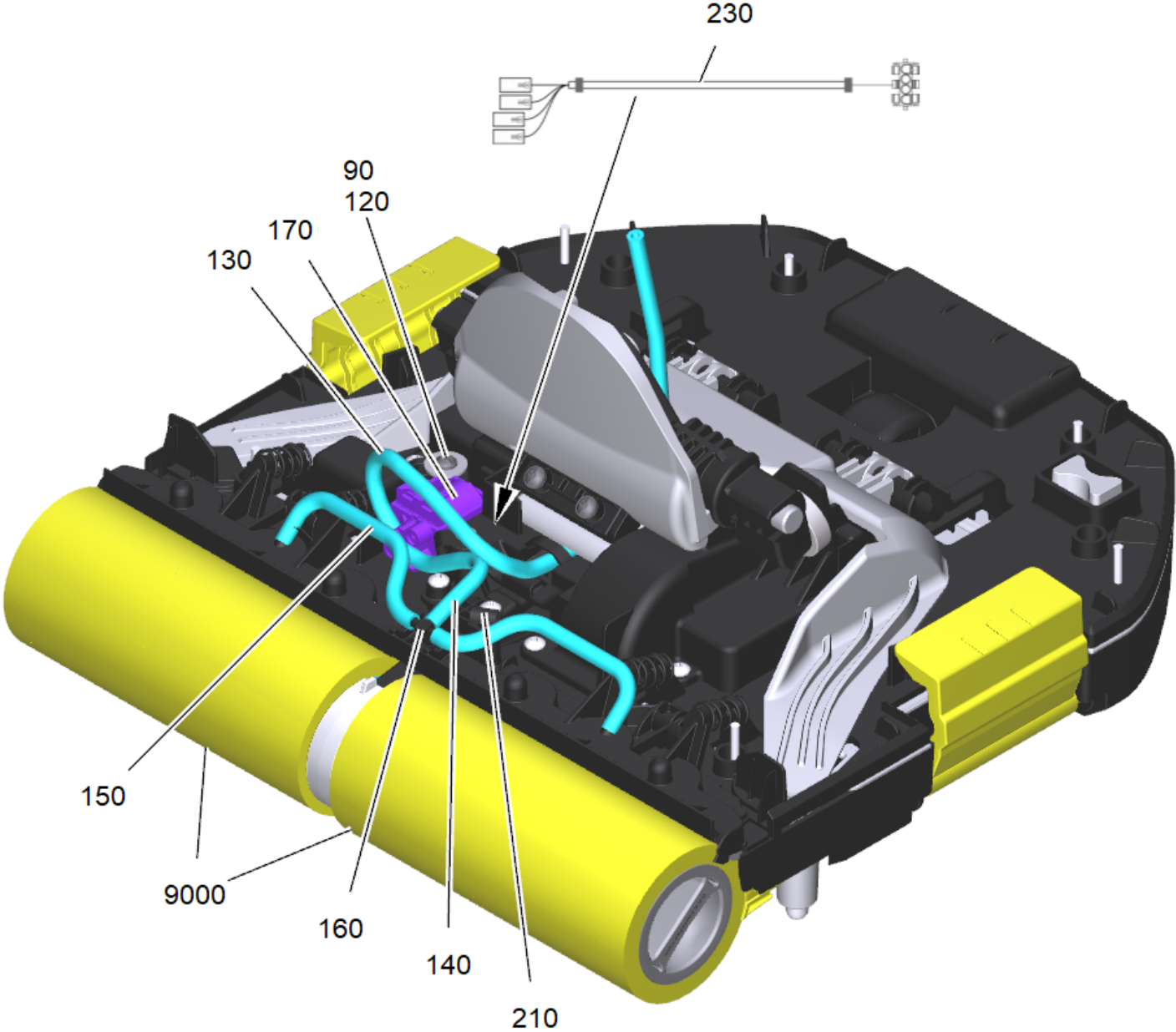


BR 30/1 C Bp (1.783-054.0)

---

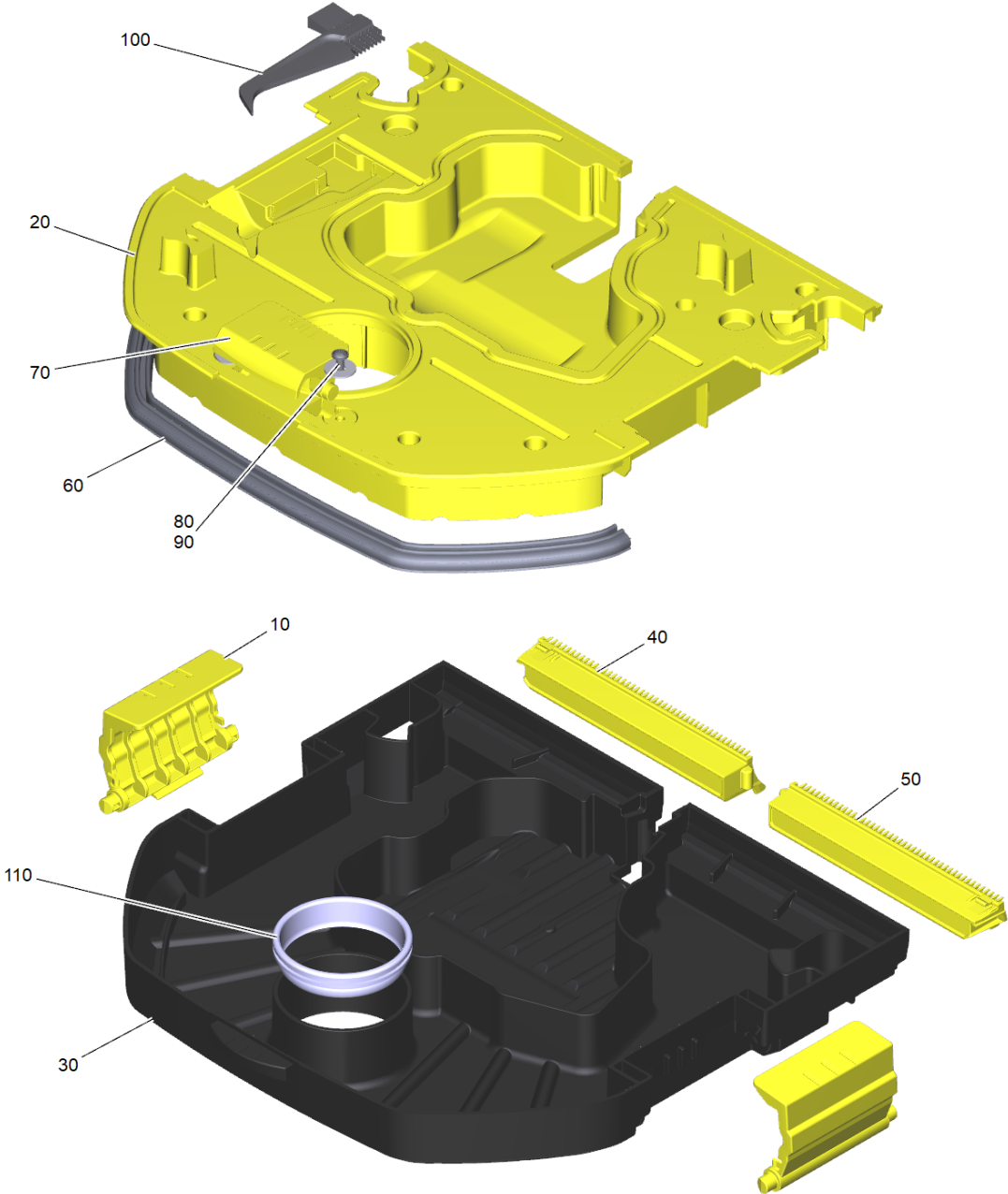
<b>POS</b>	<b>Article no.</b>	<b>Description</b>	<b>Quantity</b>	<b>Unit</b>
10		Brush-head	1	PC
20		Handle	1	PC
60	6.030-005.0	Clip cable hose	1	PC
240	6.296-118.0	CA 50 C eco GBP 0,5l cleaner	1	PC
250	6.393-185.3	Dosing head 20 ml (500 ml)	1	PC





## 10 Brush-head

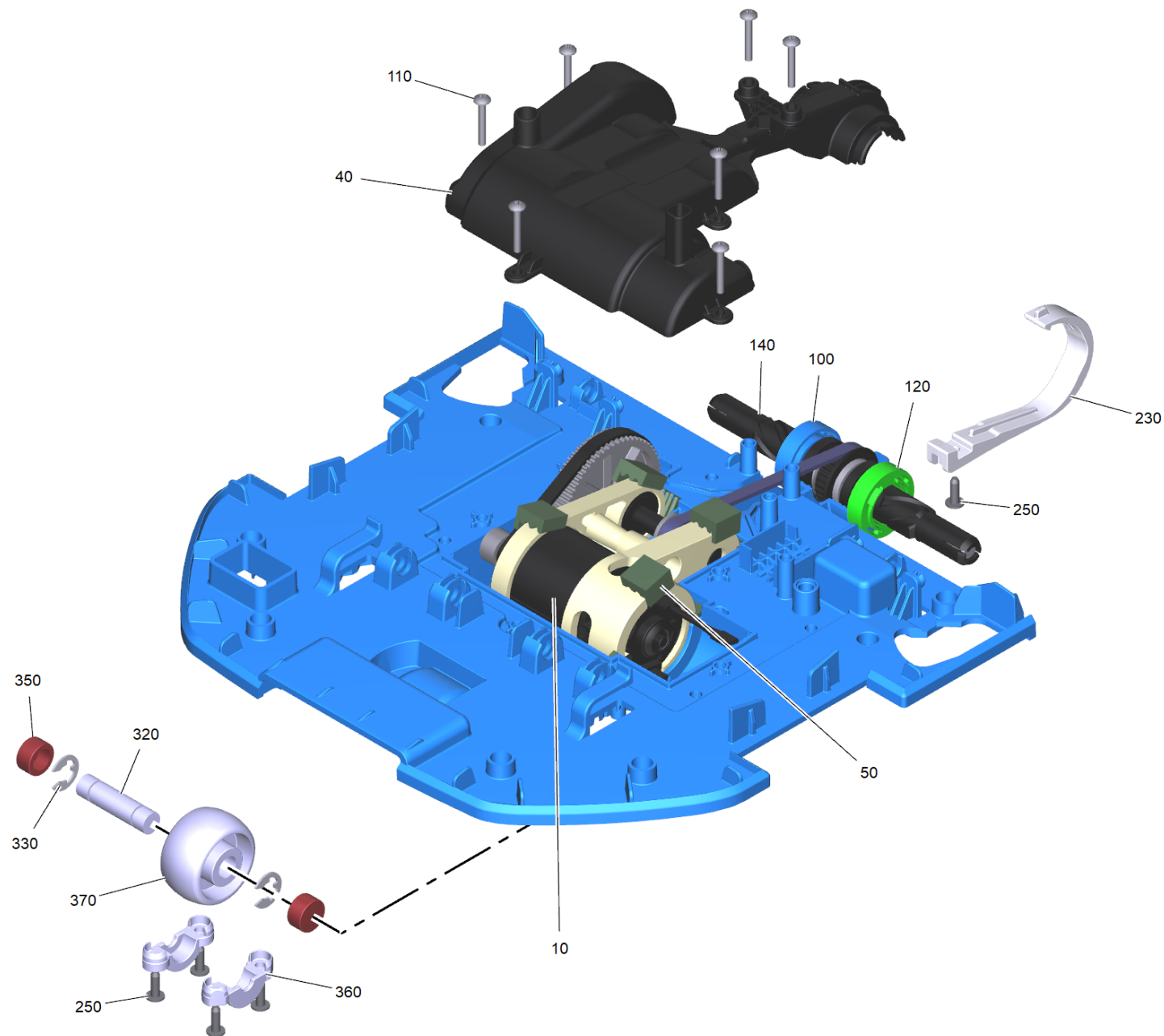
POS	Article no.	Description	Quantity	Unit
10	4.030-027.3	Dirt water tank complete	1	PC
20		Gear complete	1	PC
30	4.030-038.3	Strip water distribution replacement	1	PC
40	4.030-044.3	Stand foot replacement	1	PC
50		Joint complete	1	PC
80	5.030-055.3	Deflector plate roll replacement	1	PC
90	7.303-116.0	Screw 4x12-A2-70 (IN6RD)	4	PC
100	9.086-221.0	Screw ATF 4.1x22	6	PC
110	5.030-004.3	Cover brush-head replacement	1	PC
120	7.312-282.0	Washer 5-A2 ISO 7093-1	1	PC
130	6.901-021.0	Hose	0,4	m
140	6.901-021.0	Hose	0,06	m
150	6.901-021.0	Hose	0,1	m
160	6.386-169.0	Hose stem T-piece	1	PC
170	6.686-631.3	Solenoid valve replacement	1	PC
180	5.030-019.0	Bolt	2	PC
190	6.330-295.0	Pressure spring	2	PC
210	6.373-343.0	Pipe clamp D 6	2	PC
220	6.641-463.0	Cable tape	2	PC
230	4.823-271.0	Cable harness brush-head BR 30/1	1	PC
9000	4.030-088.0	Set of rollers blue	1	PC
9000	4.030-126.0	Set of rollers stone	1	PC





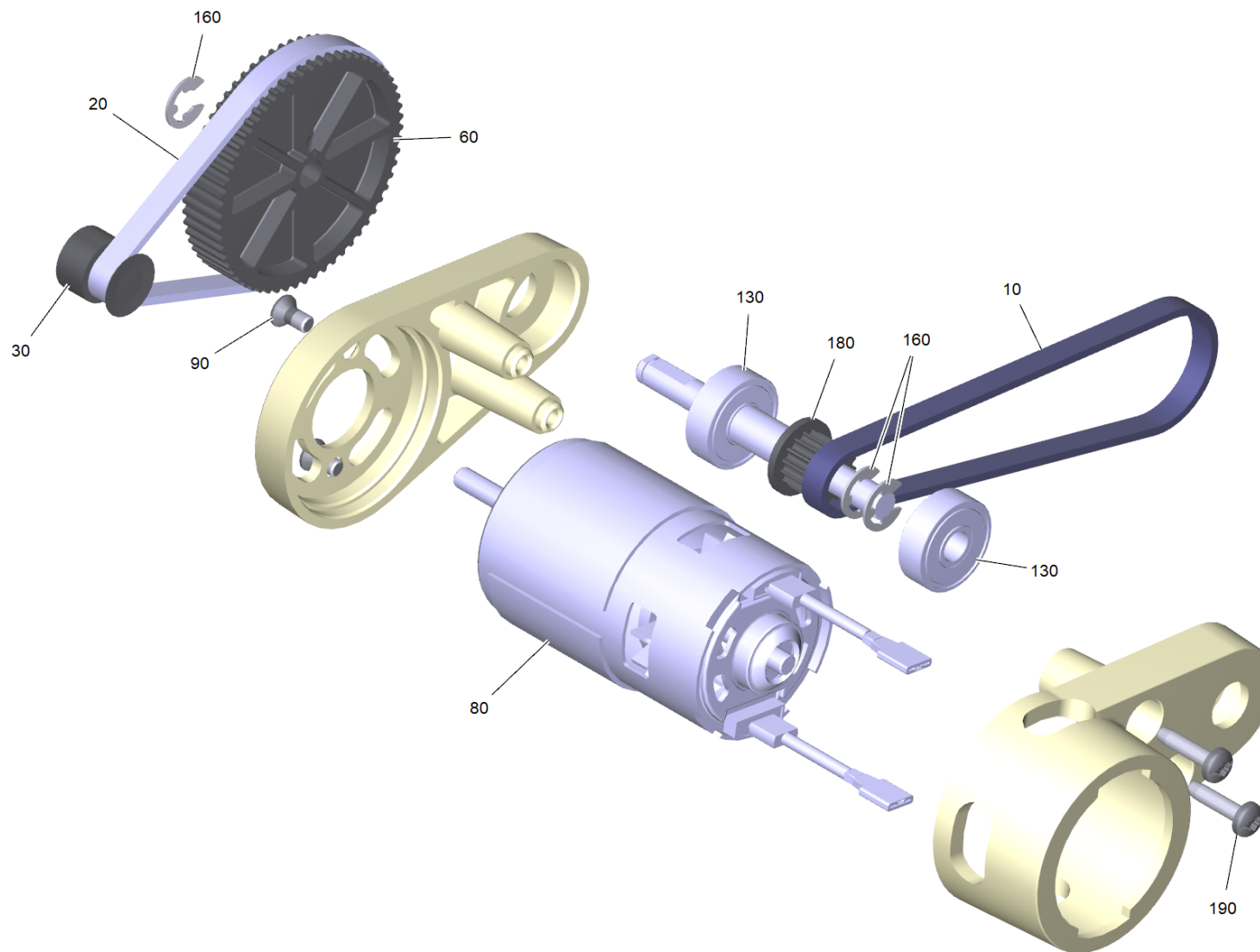
10 Dirt water tank complete (4.030-027.3)

POS	Article no.	Description	Quantity	Unit
10	5.030-008.3	Locking part tank replacement	2	PC
20	5.030-007.3	Dirt water tank top part replacement	1	PC
30	5.030-006.3	Dirt water tank bottom part replacement	1	PC
40	5.030-040.3	Sweep drawer left replacement	1	PC
50	5.030-039.3	Sweep drawer right replacement	1	PC
60	5.030-115.0	Seal	1	PC
70	5.030-072.3	Lever discharge waste water tank	1	PC
80	7.303-116.0	Screw 4x12-A2-70 (IN6RD)	2	PC
90	7.312-282.0	Washer 5-A2 ISO 7093-1	2	PC
100	4.055-195.0	Comb complete	1	PC
110	5.030-108.0	Seal roller	1	PC



## 20 Gear complete

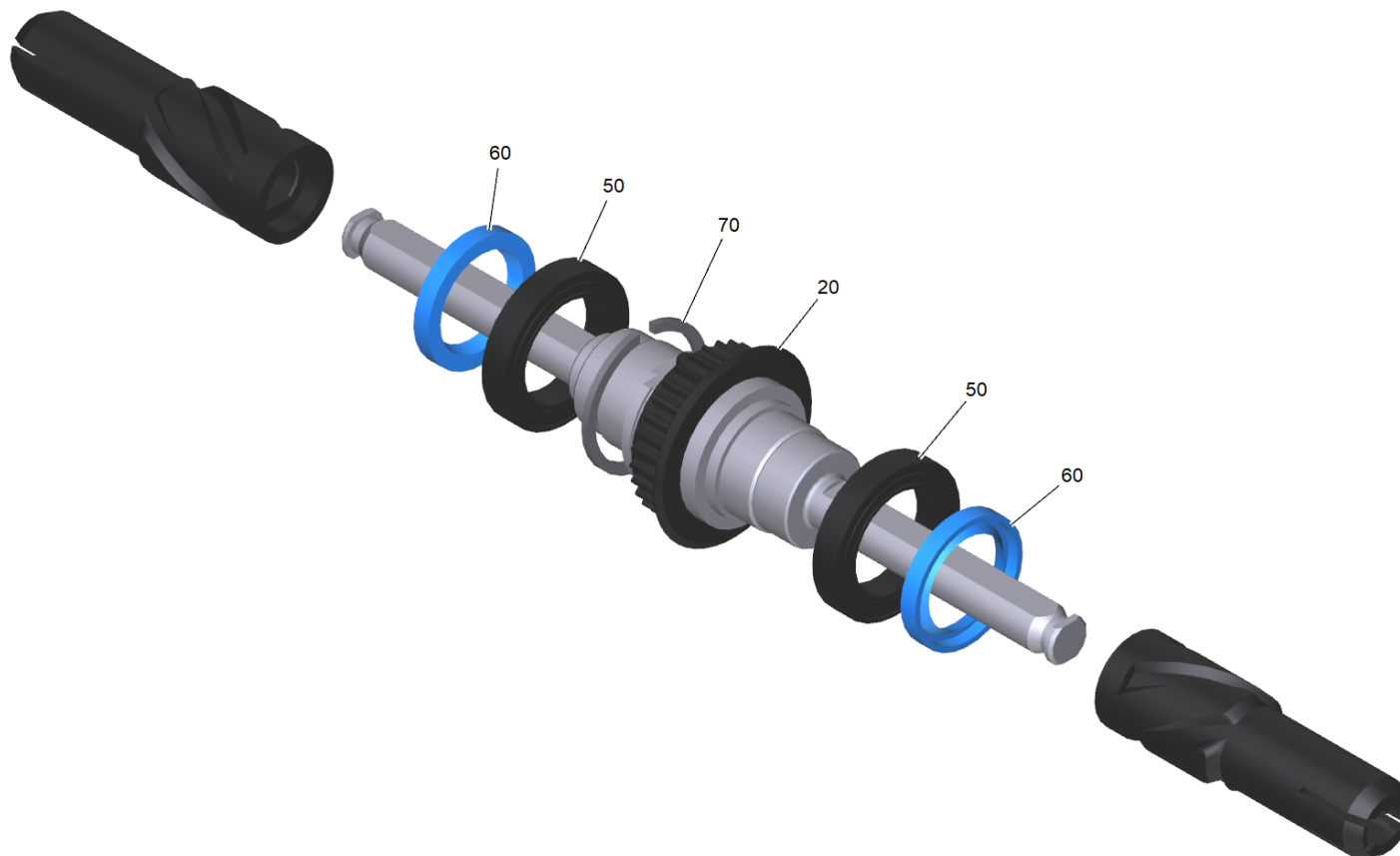
POS	Article no.	Description	Quantity	Unit
10	4.030-071.0	Gear for replacement	1	PC
40	5.030-010.0	Gear cover	1	PC
50	4.030-084.0	Foamed material shear size set	1	PC
100	5.055-474.0	Cover plate bearing left blue	1	PC
110	9.086-221.0	Screw ATF 4.1x22	7	PC
120	5.055-437.0	Cover plate bearing right green	1	PC
140	4.030-003.3	Driveshaft replacement	1	PC
200	5.030-005.0	Chassis	1	PC
230	5.030-054.3	Rocker replacement	1	PC
250	7.303-116.0	Screw 4x12-A2-70 (IN6RD)	5	PC
260	6.030-004.0	Cable execution rubber bushing	1	PC
320	5.030-109.0	Axle wheel	1	PC
330	7.343-201.0	Lock washer 6-FST-PHR DIN 6799	2	PC
350	5.030-104.0	Rubber sleeve roller	2	PC
360	5.030-103.0	Bearing shell axle roller	2	PC
370	5.435-004.0	Roller D40	1	PC



## 10 Gear for replacement (4.030-071.0)

---

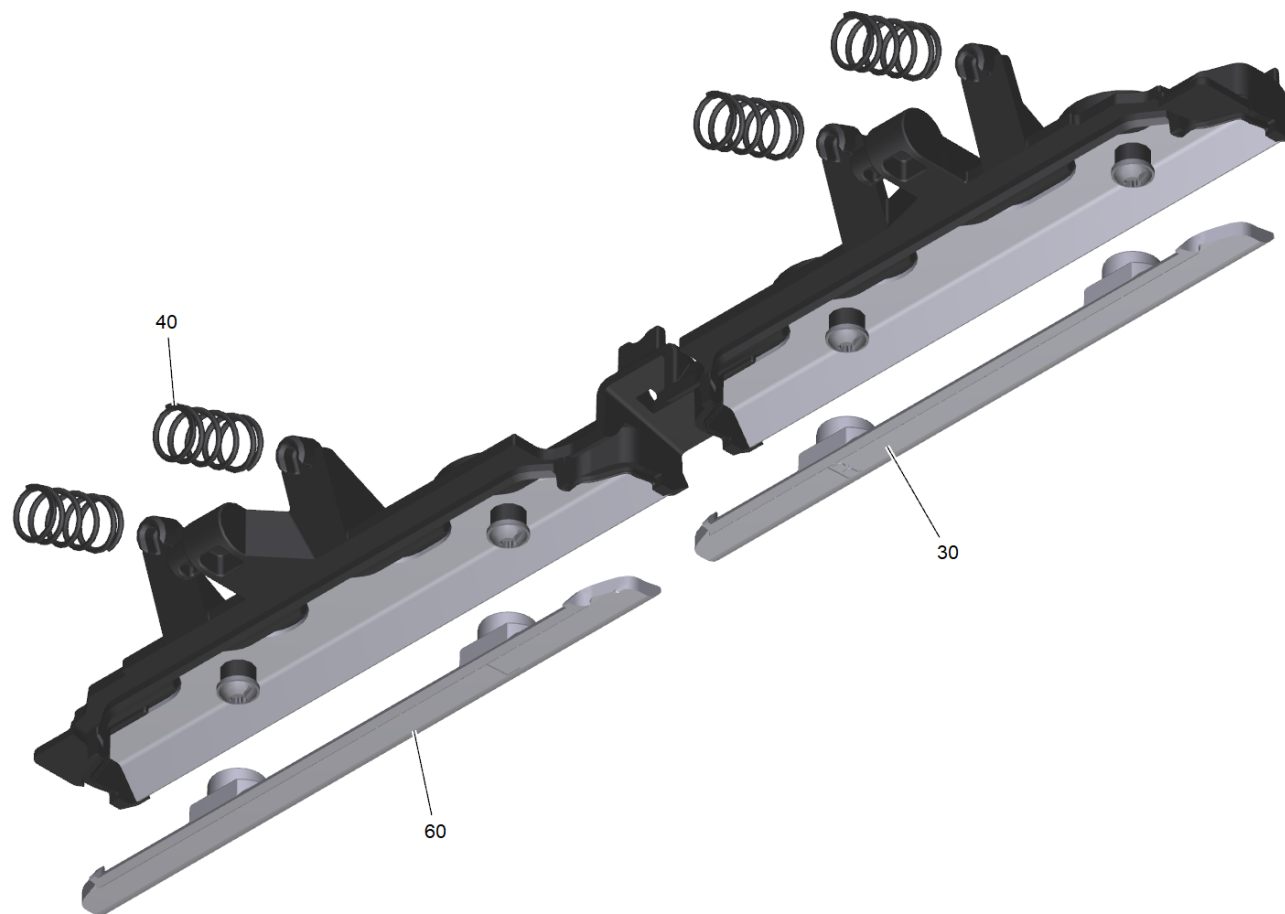
<b>POS</b>	<b>Article no.</b>	<b>Description</b>	<b>Quantity</b>	<b>Unit</b>
10	6.348-450.0	Toothed belt HP-267-3M	1	PC
20	6.348-048.0	Toothed belt HTD	1	PC
30	6.030-001.3	Belt wheel replacement	1	PC
60	5.030-037.3	Gear wheel replacement	1	PC
80	6.030-002.3	Motor replacement 18V	1	PC
90	7.305-016.0	Countersunk screw M4x8-ST-10.9-P2R (IN6RD)	2	PC
130	6.030-006.0	Ball bearing replacement 627-2RS	2	PC
160	7.343-201.0	Lock washer 6-FST-PHR DIN 6799	3	PC
180	5.055-554.3	Belt wheel replacement z15	1	PC
190	7.303-033.0	Screw M4x16-ST-P2R (KOMBI-IN6RD)	2	PC



## 140 Driveshaft replacement (4.030-003.3)

---

<b>POS</b>	<b>Article no.</b>	<b>Description</b>	<b>Quantity</b>	<b>Unit</b>
20	5.030-066.3	Belt wheel driveshaft replacement	1	PC
50	6.030-007.0	Ball bearing replacement 61803-2RS	2	PC
60	6.055-456.0	Radial shaft seal ring	2	PC
70	6.343-142.0	Snap ring WR 22	1	PC

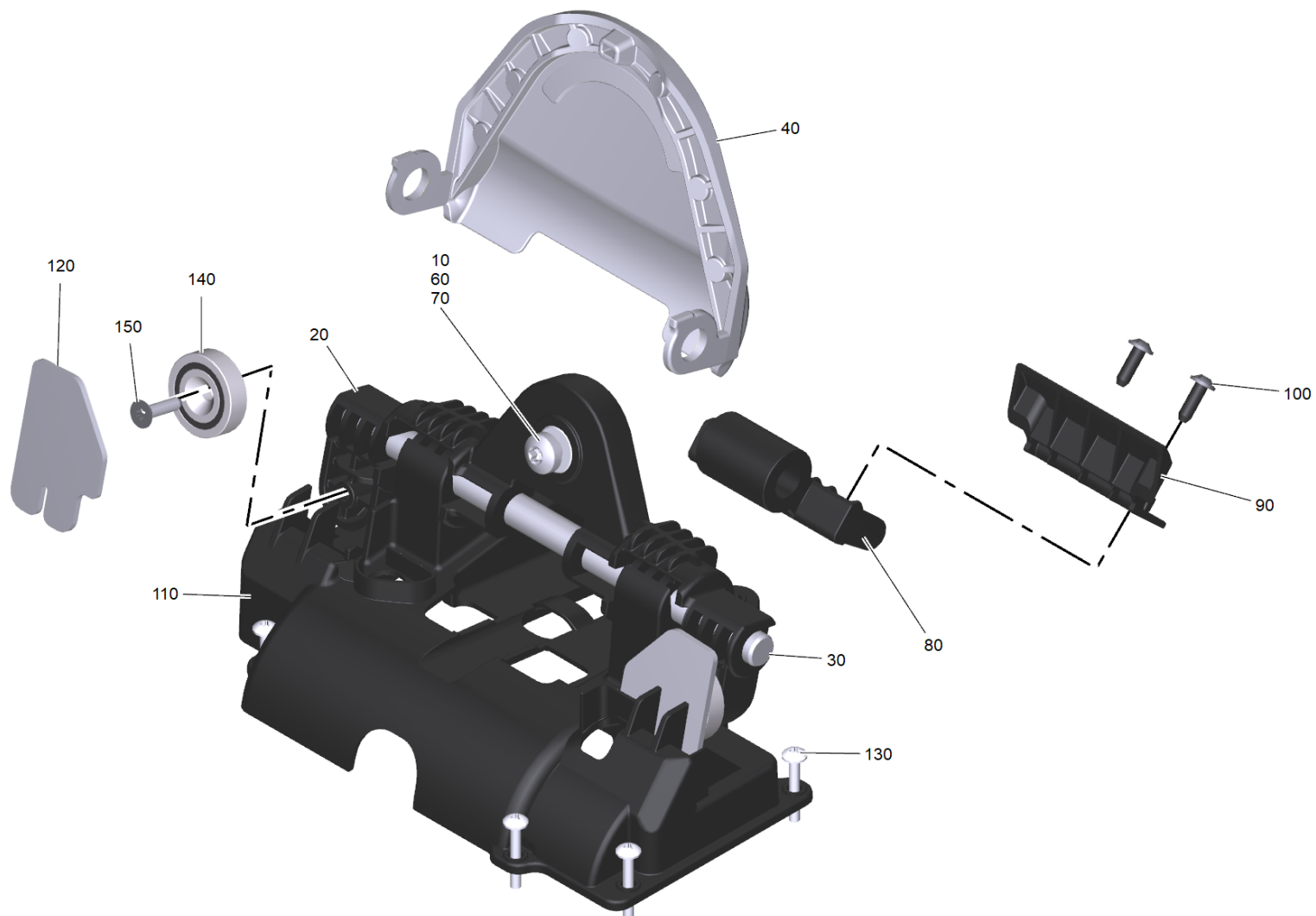




### 30 Strip water distribution replacement (4.030-038.3)

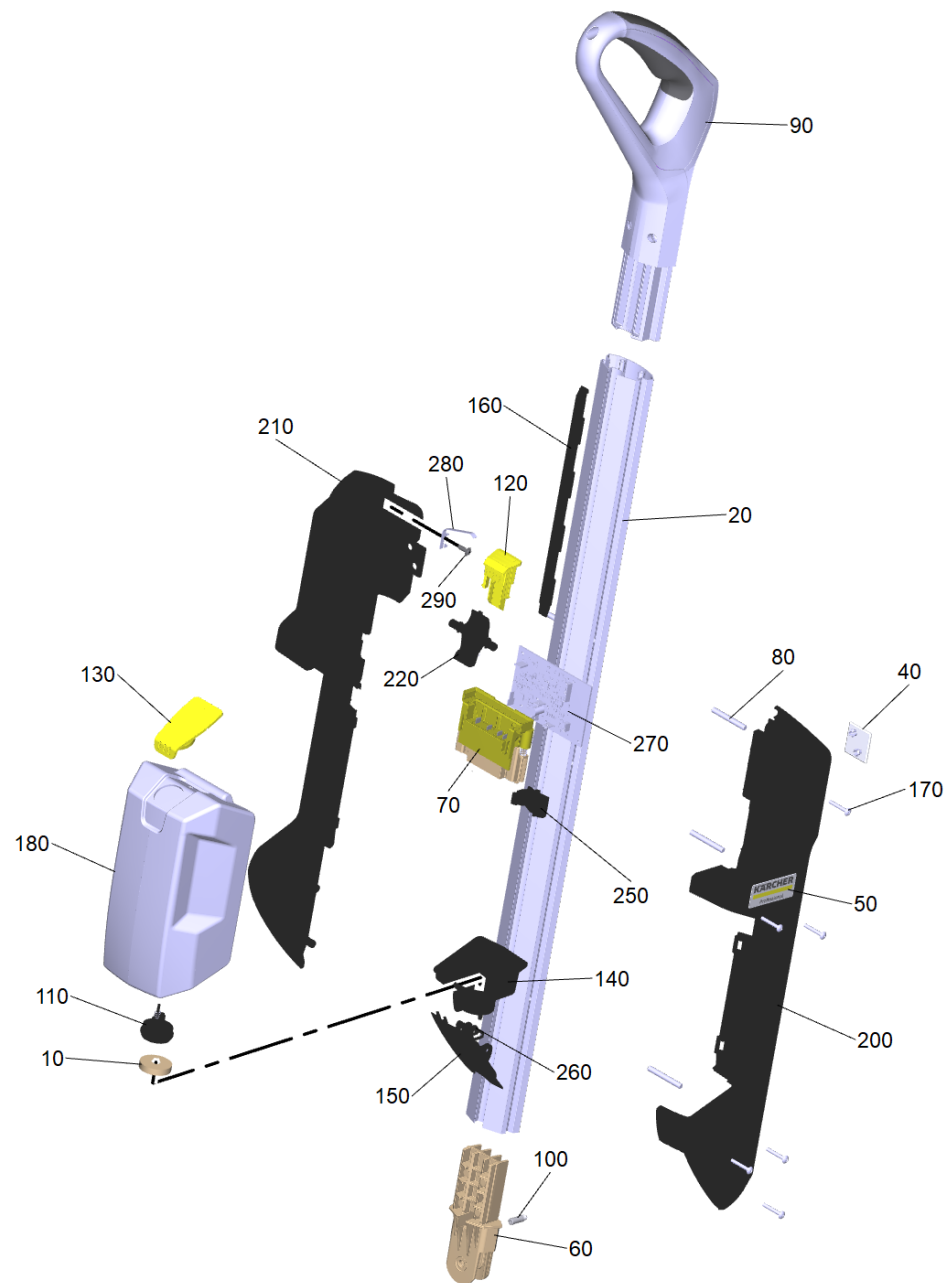
---

<b>POS</b>	<b>Article no.</b>	<b>Description</b>	<b>Quantity</b>	<b>Unit</b>
30	5.030-074.0	Deflector plate rubber right	1	PC
40	6.330-296.0	Pressure spring	4	PC
60	5.030-073.0	Deflector plate rubber left	1	PC



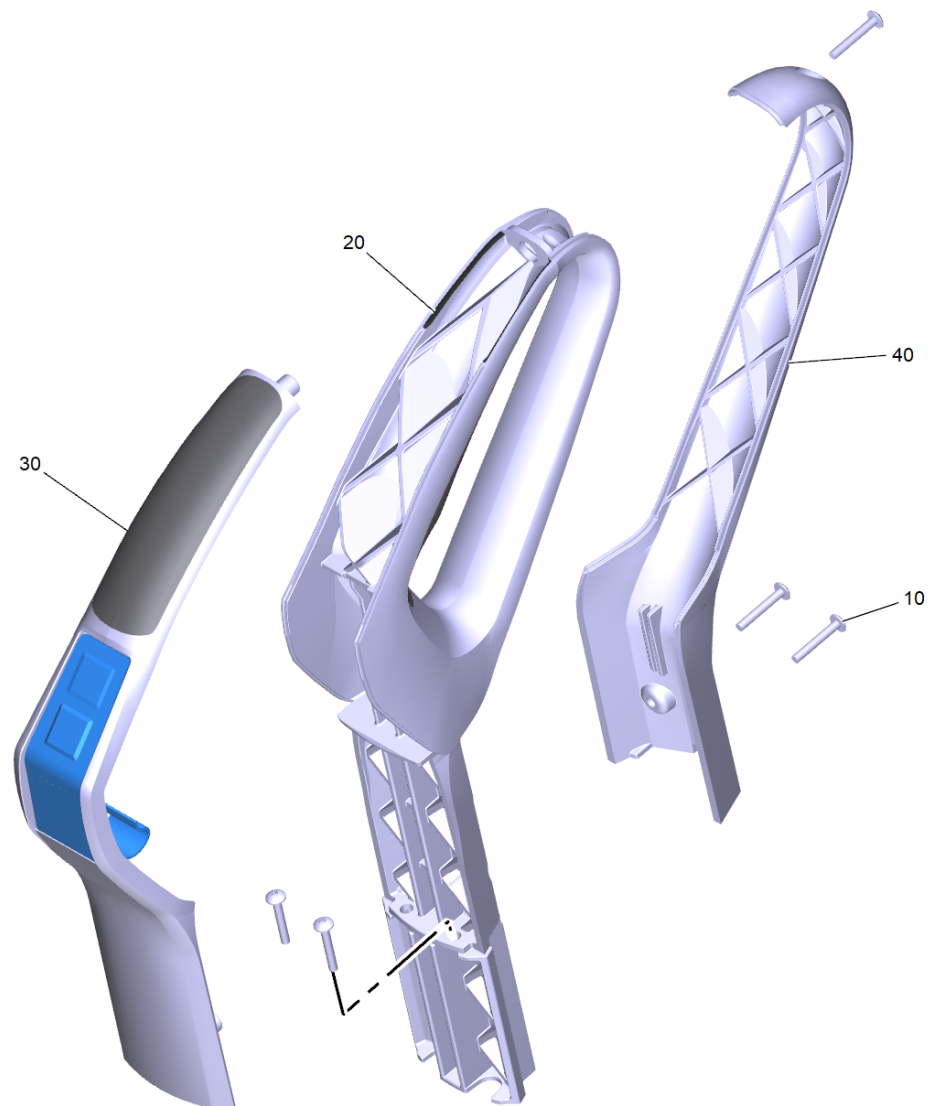
## 50 Joint complete

POS	Article no.	Description	Quantity	Unit
10	5.030-044.0	Sleeve joint	1	PC
20	5.030-020.3	Base body joint replacement	1	PC
30	5.030-024.0	Bolt	1	PC
40	5.030-023.3	Fixing device joint replacement	1	PC
60	7.306-094.0	Screw M6x25 -8.8-R3R (In6Rd)	1	PC
70	7.311-003.0	Hexagon nut M6 -8-A2E ISO 4032	1	PC
80	5.030-021.3	Cam stand foot replacement	1	PC
90	5.030-022.3	Covering cap joint replacement	1	PC
100	7.303-116.0	Screw 4x12-A2-70 (IN6RD)	2	PC
110	5.030-014.3	Bearing support joint replacement	1	PC
120	5.030-027.3	Plate holder magnet	2	PC
130	9.086-221.0	Screw ATF 4.1x22	7	PC
140	6.422-623.0	Magnet	2	PC
150	7.303-125.0	Countersunk screw 4x16 -10.9-R2R (In6Rd)	2	PC



## 20 Handle

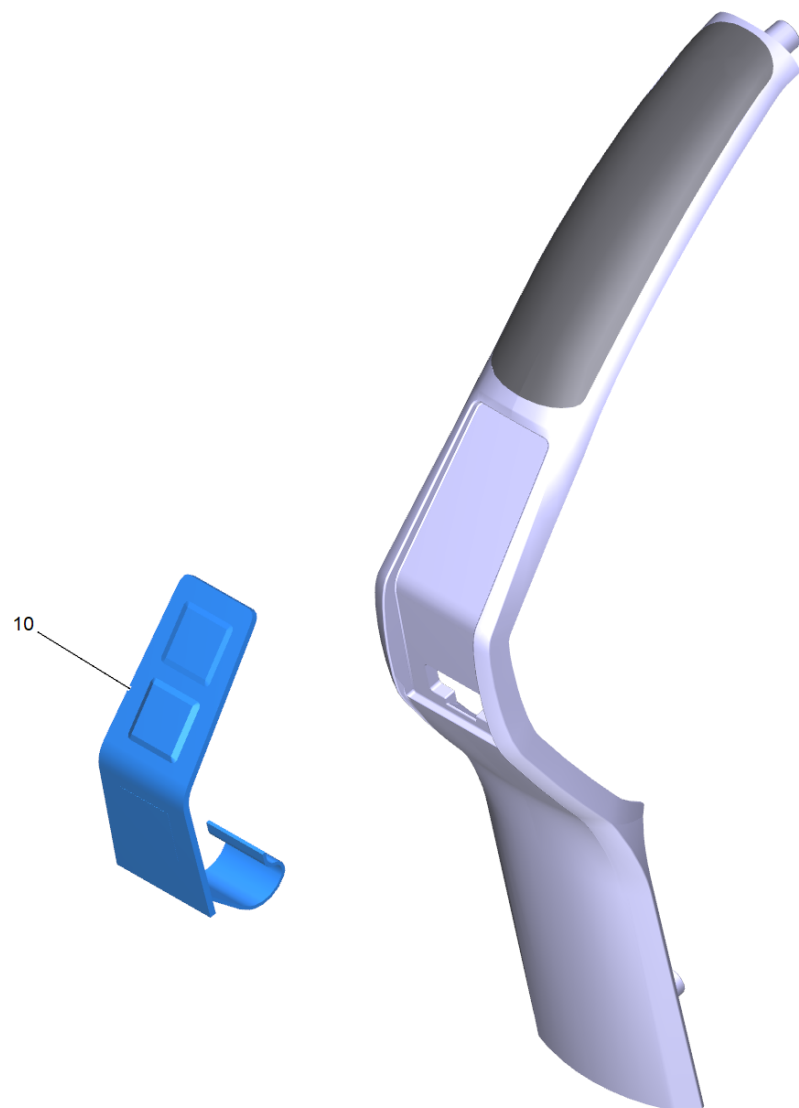
POS	Article no.	Description	Quantity	Unit
10	4.071-646.0	Filter sponge for replacement	1	PC
20	5.030-042.0	Profile aluminium	1	PC
40	5.385-506.0	Label signet clipped M Professional	1	PC
50	5.385-501.0	Label logo clipped M Professional	2	PC
60	5.030-028.0	Spherical plain bearing handle	1	PC
70	4.051-363.3	Contact carrier ejector	1	PC
80	5.317-231.0	Bolt hook	6	PC
90		Handhold complete	1	PC
100	6.330-294.0	Thrust piece D4,8	1	PC
110	4.055-112.0	Valve complete for replacement	1	PC
120	5.051-923.3	Button releasing device for replacement	1	PC
130	5.030-038.3	Cap closure replacement	1	PC
140	5.030-032.3	Retainer fresh water tank	1	PC
150	5.030-034.3	Service flap replacement	1	PC
160	5.030-043.0	Covering cap aluminium profile	1	PC
170	9.086-221.0	Screw ATF 4.1x22	8	PC
180	5.030-031.3	Fresh water tank replacement	1	PC
200	5.030-030.3	Battery holder right replacement	1	PC
210	5.030-029.3	Battery holder left replacement	1	PC
220	4.071-636.0	Set locking part	1	PC
250	5.030-058.3	Fixing fresh water tank replacement	1	PC
260	6.650-605.0	Cable tie with clip	1	PC
270	4.683-415.0	Control system cpl. BR30/1	1	PC
280	5.030-041.0	Spring element	1	PC
290	7.303-116.0	Screw 4x12-A2-70 (IN6RD)	1	PC



90 Handhold complete

---

<b>POS</b>	<b>Article no.</b>	<b>Description</b>	<b>Quantity</b>	<b>Unit</b>
10	9.086-221.0	Screw ATF 4.1x22	5	PC
20	5.030-051.3	Hand grip centre part replacement	1	PC
30	5.030-052.3	Hand grip top part replacement	1	PC
40	5.030-050.3	Hand grip bottom part replacement	1	PC



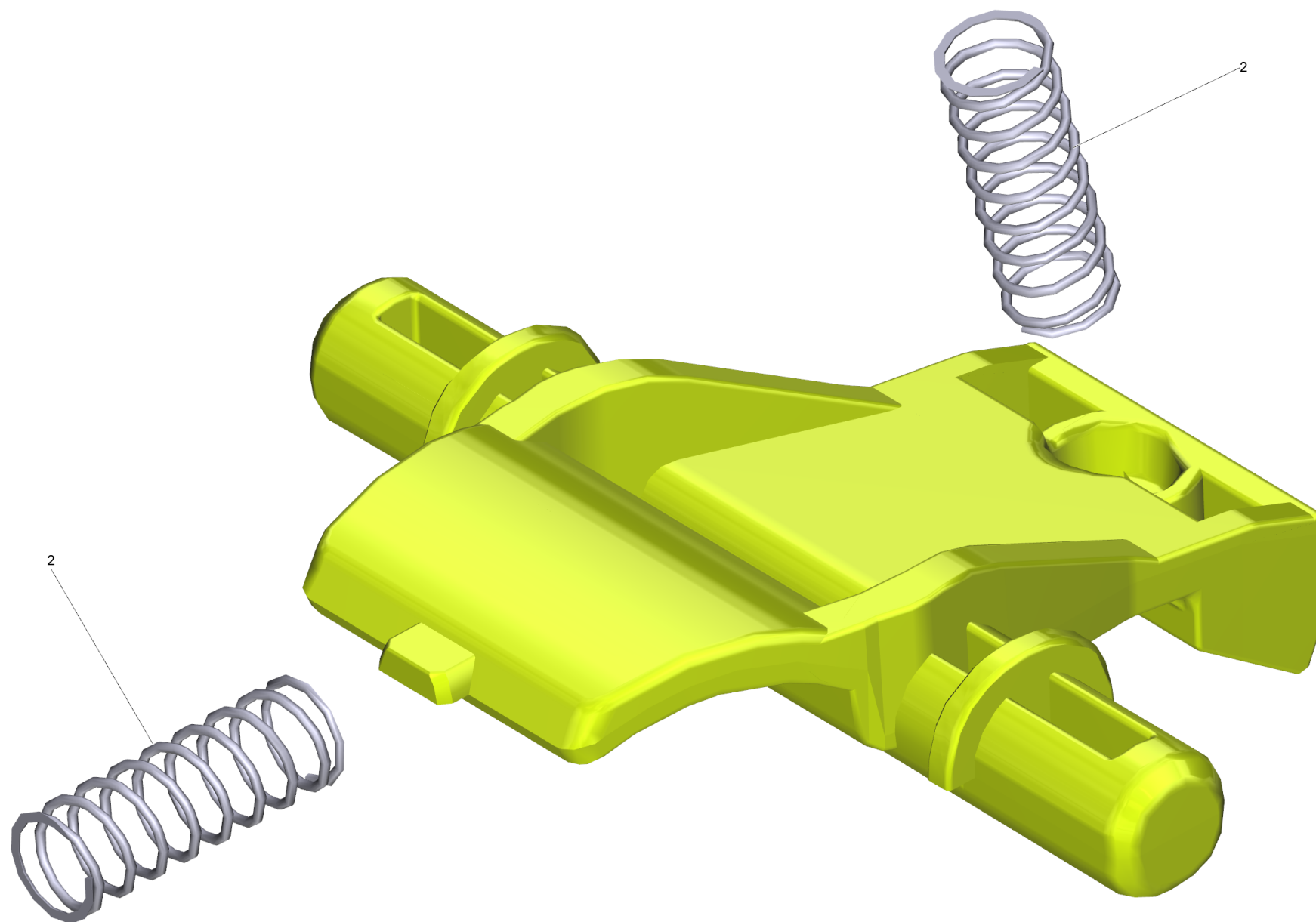


30 Hand grip top part replacement (5.030-052.3)

---

<b>POS</b>	<b>Article no.</b>	<b>Description</b>	<b>Quantity</b>	<b>Unit</b>
10	5.030-059.3	Foil control panel replacement	1	PC

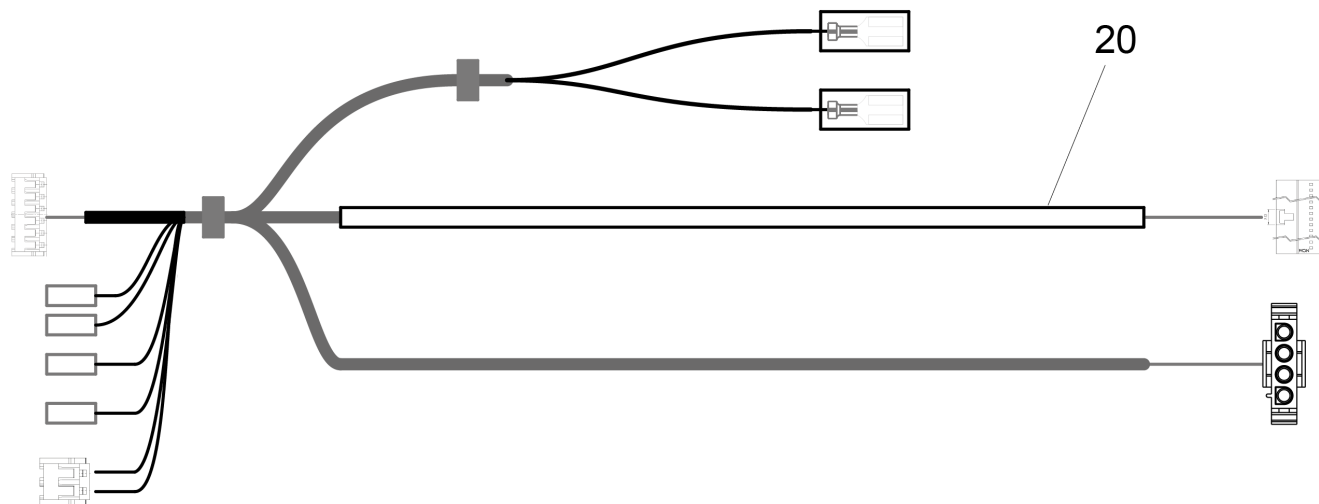
---



220 Set locking part (4.071-636.0)

---

POS	Article no.	Description	Quantity	Unit
2	6.330-160.0	Pressure spring	2	PC



270 Control system cpl. BR30/1 (4.683-415.0)

---

<b>POS</b>	<b>Article no.</b>	<b>Description</b>	<b>Quantity</b>	<b>Unit</b>
20	4.823-196.0	Cable harness handle BR 30/1	1	PC