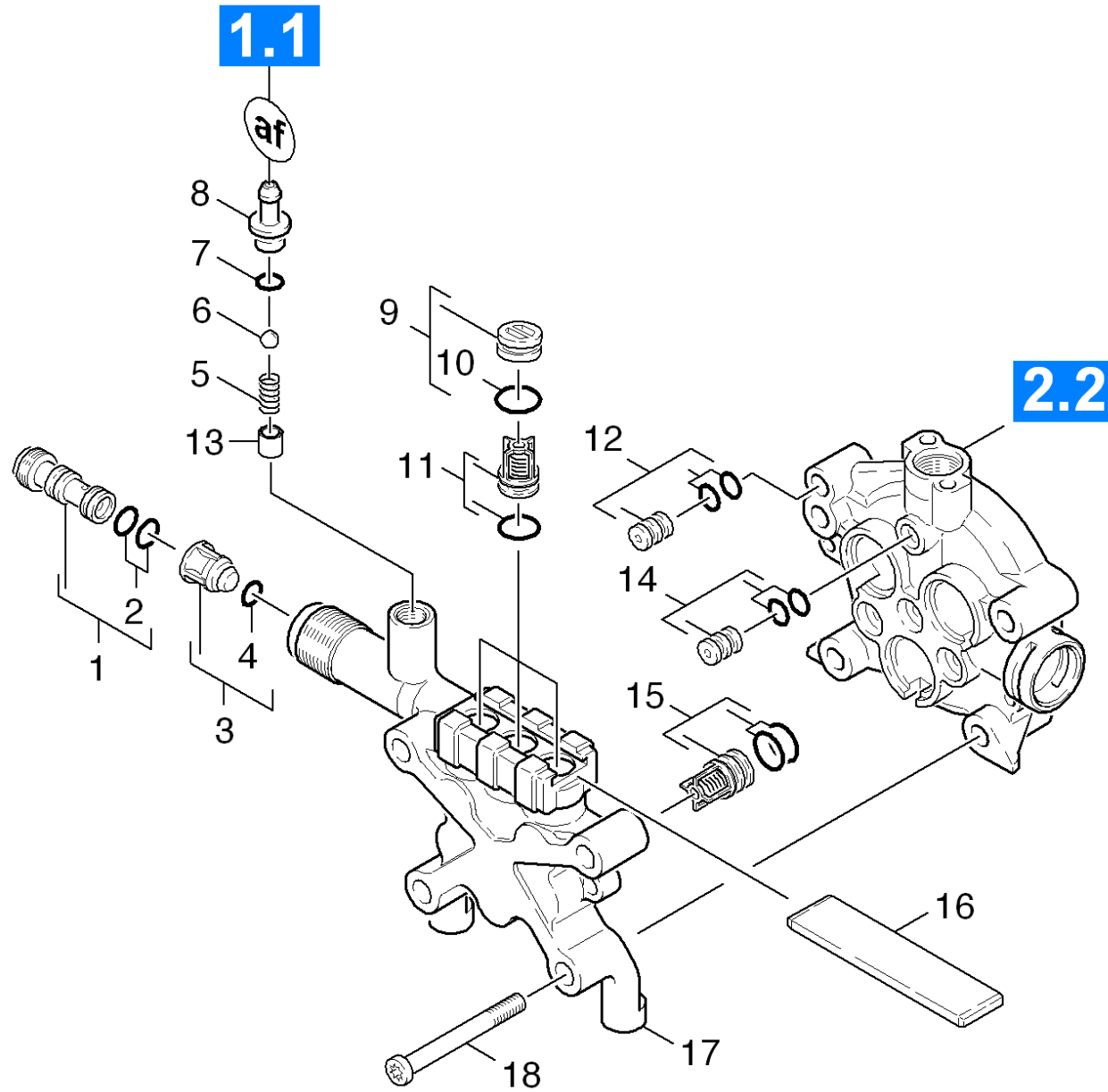


21 Cylinder head

Home and Garden \ High pressure cleaner cold water \ Electric motor \ K 7 \ K 7.80MD Plus* EU \ Spare parts list K 7.80 \ Pump set \ Cylinder head



21 Cylinder head

Home and Garden \ High pressure cleaner cold water \ Electric motor \ K 7 \ K 7.80MD Plus* EU \ Spare parts list K 7.80 \ Pump set \ Cylinder head

KÄRCHER

POS	Article no.	Description	Quantity	Unit	Foot note text
17	5.550-295.0	Cylinder head K 7.80	1.000	ST	FOR PISTON DIAMETER 13MM
17	5.550-340.0	Cylinder head K 7.91 M	1.000	ST	FOR PISTON DIAMETER 12MM
9	4.132-007.0	Drain plug only for replacement	1.000	ST	
5	5.332-258.0	Helical spring	1.000	ST	
18	7.304-098.0	Hexagonal head screw M8x80-8.8-A2E ISO	4.000	ST	
14	4.030-125.0	Joining piece only for replacement	1.000	ST	
8	5.443-367.0	Nipple chemistry	1.000	ST	
1	4.769-032.0	Nozzle insert	1.000	ST	
4	6.363-613.0	O-Ring seal 4 x 2 -NBR90	1.000	ST	
7	6.362-113.0	O-Ring seal 6,0 x 2,0 NBR 70	1.000	ST	
2	6.362-384.0	O-Ring seal 9x1,5 - NBR 70	2.000	ST	
10	6.363-273.0	O-Ring seal 11,0 x 2,0	3.000	ST	
16	5.003-062.0	Plate	1.000	ST	
13	5.110-714.0	Sleeve	1.000	ST	
6	7.401-908.0	Sphere 7 G300 -1.4301 DIN 5401	1.000	ST	
12	4.030-070.0	Throttle complete	1.000	ST	
15	2.884-877.0	Valve (3 Stueck)	1.000	ST	
11	2.884-916.0	Valve (3 Stück)	1.000	ST	
3	4.584-022.0	Valve pin complete	1.000	ST	