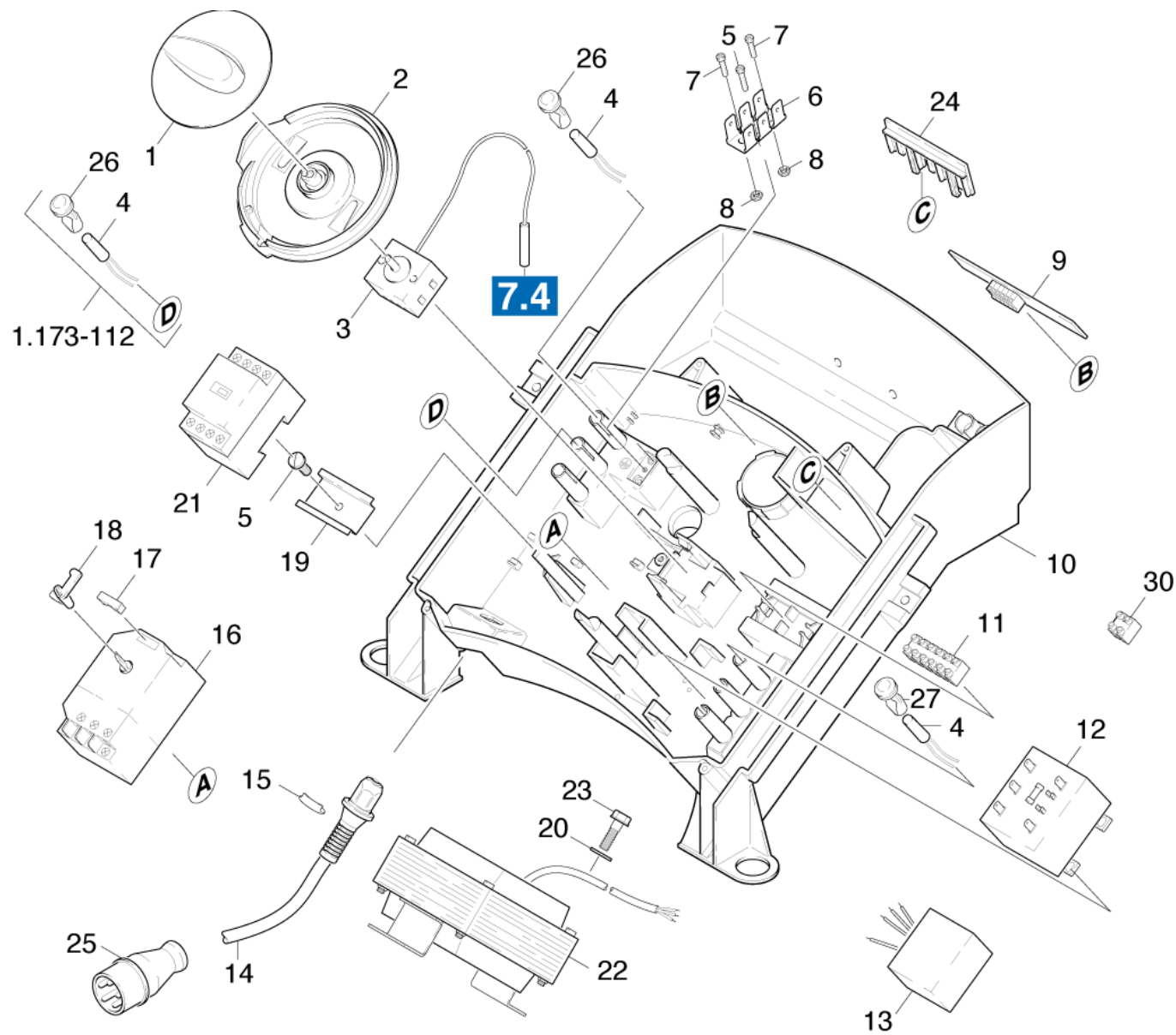


61 Electric control box

Overview technical documents/Professional/High pressure cleaner hotwater/Electric motor/HDS 698 C *EU (1.173-101.0)/Spare parts list HDS 698 C/60 Electric control box/61 Electric control box



61 Electric control box

Overview technical documents/Professional/High pressure cleaner hotwater/Electric motor/HDS 698 C *EU (1.173-101.0)/Spare parts list HDS 698 C/60 Electric control box/61 Electric control box

Rez.daļas/nodil.pakļ.daļas	Poz.	Materiāla Nr.	Nosaukums	Daudzums	Pārdoš. vienība	no sēr. Nr..	līdz sēr. Nr.
X-X	1	5.321-577.0	Rokturis	1.000	ST	0000000000	0000000000
X-X	2	5.115-798.0	Paplāksne	1.000	ST	0000000000	0000000000
X-X	3	2.882-574.0	Conversion kit thermostat	1.000	ST	0000000000	0000000000
X-X	4	4.651-026.0	Pilot lamp only for replacement	3.000	ST	0000000000	0000000000
	5	7.303-106.0	Skrūve 4x12 -10.9-R2R (IN6RD)	2.000	ST	0000000000	0000000000
	6	6.641-270.0	Plug	1.000	ST	0000000000	0000000000
	7	6.303-317.0	Screw M4x10-St-A2G	2.000	ST	0000000000	0000000000
	8	7.311-001.0	Hexagon nut M4 -8-A2E ISO 4032	2.000	ST	0000000000	0000000000
X-X	9	4.633-058.0	Pulse generator	1.000	ST	0000000000	0000000000
Pozīcijas teksts: / 1.173-101.0 / -102.0 / -113.0							
	10	5.801-136.0	Mounting plate	1.000	ST	0000000000	0000000000
	11	6.643-249.0	Motor protecting switch	1.000	ZST	0000000000	0000000000
	12	4.622-018.0	Control transformer - nur fuer Ersatz	1.000	ST	0000000000	0000000000
Pozīcijas teksts: / 1.173-102.0 / -110.0 / -116.0							
X-X	12	6.622-241.0	Vadības ķēžu transformators 400V	1.000	ST	0000000000	0000000000
Pozīcijas teksts: / 1.173-101.0 / -112.0 / -113.0							
	13	4.828-007.0	Anti-interference filter complete	1.000	ST	0000000000	0000000000
X-X	14	6.647-250.0	cabl with rubber bushing	1.000	ST	0000000000	0000000000
	15	6.343-170.0	Retaining clip	1.000	ST	0000000000	0000000000
X-X	16	6.631-190.0	Elektromotora aizsardzības slēdzis	1.000	ST	0000000000	0000000000
	17	6.630-049.0	Cap	1.000	ST	0000000000	0000000000
Pozīcijas teksts: / 1.173-101.0 / -102.0 / -112.0 / -113.0							
X-X	18	5.481-257.0	Svira	1.000	ST	0000000000	0000000000
	19	5.802-261.0	Mounting part	1.000	ST	0000000000	0000000000
X	20	7.312-264.0	washer	1.000	ST	0000000000	0000000000

61 Electric control box

Overview technical documents/Professional/High pressure cleaner hotwater/Electric motor/HDS 698 C *EU (1.173-101.0)/Spare parts list HDS 698 C/60 Electric control box/61 Electric control box

Rez.daļas/nodil.pakļ.daļas	Poz.	Materiāla Nr.	Nosaukums	Daudzums	Pārdoš. vienība	no sēr. Nr..	līdz sēr. Nr.
X-X	21	6.632-356.0	Kontaktors LC1-D18 B7	1.000	ST	0000000000	0000000000
Pozīcijas teksts: / 1.173-102.0 / -110.0 / -116.0							
X	21	6.632-310.0	Contactora	1.000	ST	0000000000	0000000000
Pozīcijas teksts: / 1.173-101.0 / -112.0 / -113.0							
	22	6.622-167.0	Ignition transformer 230V	1.000	ST	0000000000	0000000000
Pozīcijas teksts: / 1.173-110.0							
X-X	22	4.622-033.0	Ignition transformer	1.000	ST	0000000000	0000000000
Pozīcijas teksts: / 1.173-102.0 / -116.0							
X-X	22	2.883-791.0	Spare parts set ignition transformer	1.000	ST	0000000000	0000000000
	23		Stockpiling discontinued	1.000	ST	0000000000	0000000000
	24	5.030-954.0	Clamping part	1.000	ST	0000000000	0000000000
	25	6.646-266.0	Savienotājuzmava	1.000	ST	0000000000	0000000000
Pozīcijas teksts: / 1.173-101.0 / -102.0 / -112.0/ -113.0							
X	26	6.651-316.0	Lēcas korpuss, sarkans	2.000	ST	0000000000	0000000000
	27	6.651-421.0	Lēcas korpuss, zaļš	1.000	ST	0000000000	0000000000
	30	6.643-151.0	Strip terminal one-pole 16mm ²	1.000	ZST	0000000000	0000000000