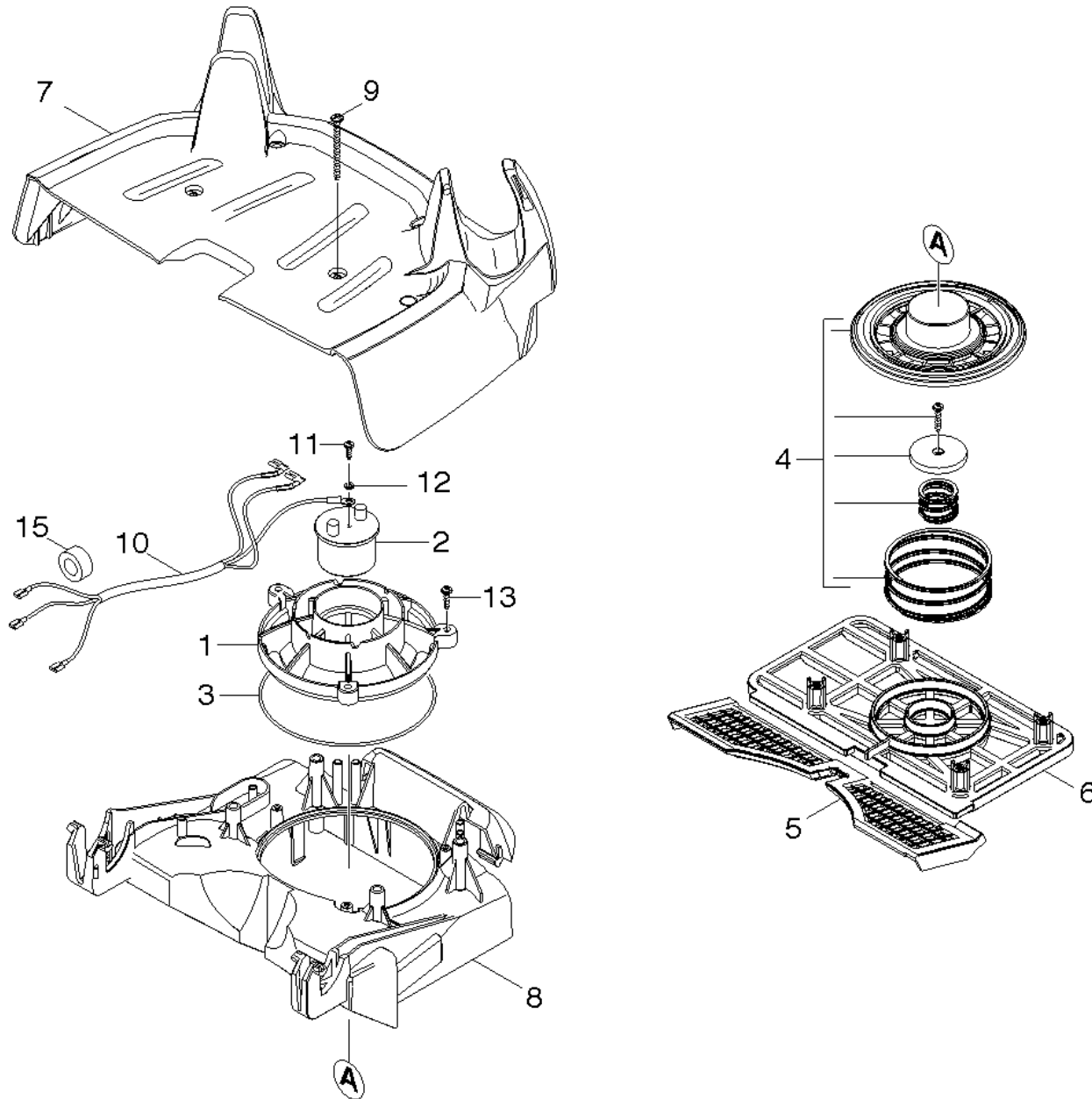


# 30 Filter vibrator

Professional \ Vacuum cleaner \ Wet-/dry vacuum cleaner \ NT 35/1 Tact \*EU \ Spare parts list NT 35/1 Tact \ Filter vibrator



## 30 Filter vibrator

Professional \ Vacuum cleaner \ Wet-/dry vacuum cleaner \ NT 35/1 Tact \*EU \ Spare parts list NT 35/1 Tact \ Filter vibrator

**KÄRCHER**

POS	Article no.	Description	Quantity	Unit	valid from	valid until
1	5.043-105.0	Holder magnet	1	PC	40001	
1	5.044-838.0	Holder magnet	1	PC		40000
2	6.653-009.0	Magnet 230V	1	PC		
3	6.362-447.0	O-Ring seal 115,0 X 1,78-NBR 70	1	PC		
4	2.884-981.0	Spare part set valve complete	1	PC		
5	5.363-661.0	Seal supply air	1	PC		
6	5.044-821.0	Holder spring	1	PC		
7	5.064-434.0	Covering cap cover filter	1	PC	40001	
7	5.064-206.0	Covering cap cover filter	1	PC		40000
8	5.064-207.0	Cover filter	1	PC		40000
8	5.064-435.0	Cover filter	1	PC	40001	
9	7.303-171.0	Screw 5x80 -10.9-R2R (K-In6Rd)	4	PC		
10	6.649-808.0	Cable magnet	1	PC		
11	7.303-030.0	Screw M4x8 -St-P2R (In6Rd)	1	PC		
12	7.312-039.0	Serrated lock washer A4,3-1.4310 DIN 67	1	PC		
13	7.303-095.0	Screw 4x 12-ST-10.9-R2R (IN6RD)	3	PC		
15	6.346-043.0	Ferrite ring	1	PC		