

Spare parts list

(1.174-218.0) HDS 8/18-4 C *EU-I

Table of contents

HDS 8/18-4 C *EU-I (1.174-218.0)	4
Spare parts list HDS 8/18-4C/CX (5.971-750.0)	5
10 Housing	6
11 Housing top part	7
12 Housing bottom part	9
1 Cover fuel complete (4.064-021.0)	11
3 Cover complete only for replacement (4.064-029.0)	13
20 Set water connection 1 " (2.640-492.0)	15
20 Pump set	17
21 Cylinder head	18
14 Cylinder head complete only for replacem (4.550-995.0)	20
32 Piston complete only for replacement (4.553-197.0)	22
100 Pump set (2.884-008.0)	24
1 Valve (3 Stueck) (2.884-512.0)	26
2 Piston complete only for replacement (4.553-198.0)	28
4 Valve complete (4.580-594.0)	30
22 Piston	32
100 Pump set (2.884-008.0)	34
1 Valve (3 Stueck) (2.884-512.0)	36
2 Piston complete only for replacement (4.553-198.0)	38
4 Valve complete (4.580-594.0)	40
30 Motor	42
Motor complete nur fuer Ersatz (4.624-027.0)	44
40 Blower	46
5 Housing blower complete (4.605-140.0)	48
50 Fuel pump and filter	50
6 Filter complete fuel (4.730-163.0)	52
60 Electric control box	54
70 Flow heater	56
71 Burner cover	57
7 Cover pressure boiler only for replaceme (4.654-288.0)	59
11 Conversion kit ignition electrode (2.638-974.0)	61
72 Outer covering and heating coil	63
2 Outer covering complete (4.652-147.0)	65
12 Bottom pressure boiler (4.655-044.0)	67
80 Float valve	69
90 Safety system	71
100 Accessories	73

Table of contents

101 Hand trigger gun	74
1 HAND TRIGGER GUN EASY PRESS (4.775-463.0)	76
9002 Lever complete (4.481-209.0)	78
4 Lever complete (4.481-209.0)	80
102 Rotary controller	82
103 High pressure hose	84
104 Jet pipe	86
1 Jet pipe packaged only for replacement (4.760-660.0)	88
14 Screw connector part (5.401-210.0)	90
8 Screw connector part (5.401-210.0)	91
105 Power nozzle	92
110 Control panel	94

HDS 8/18-4 C *EU-I (1.174-218.0)

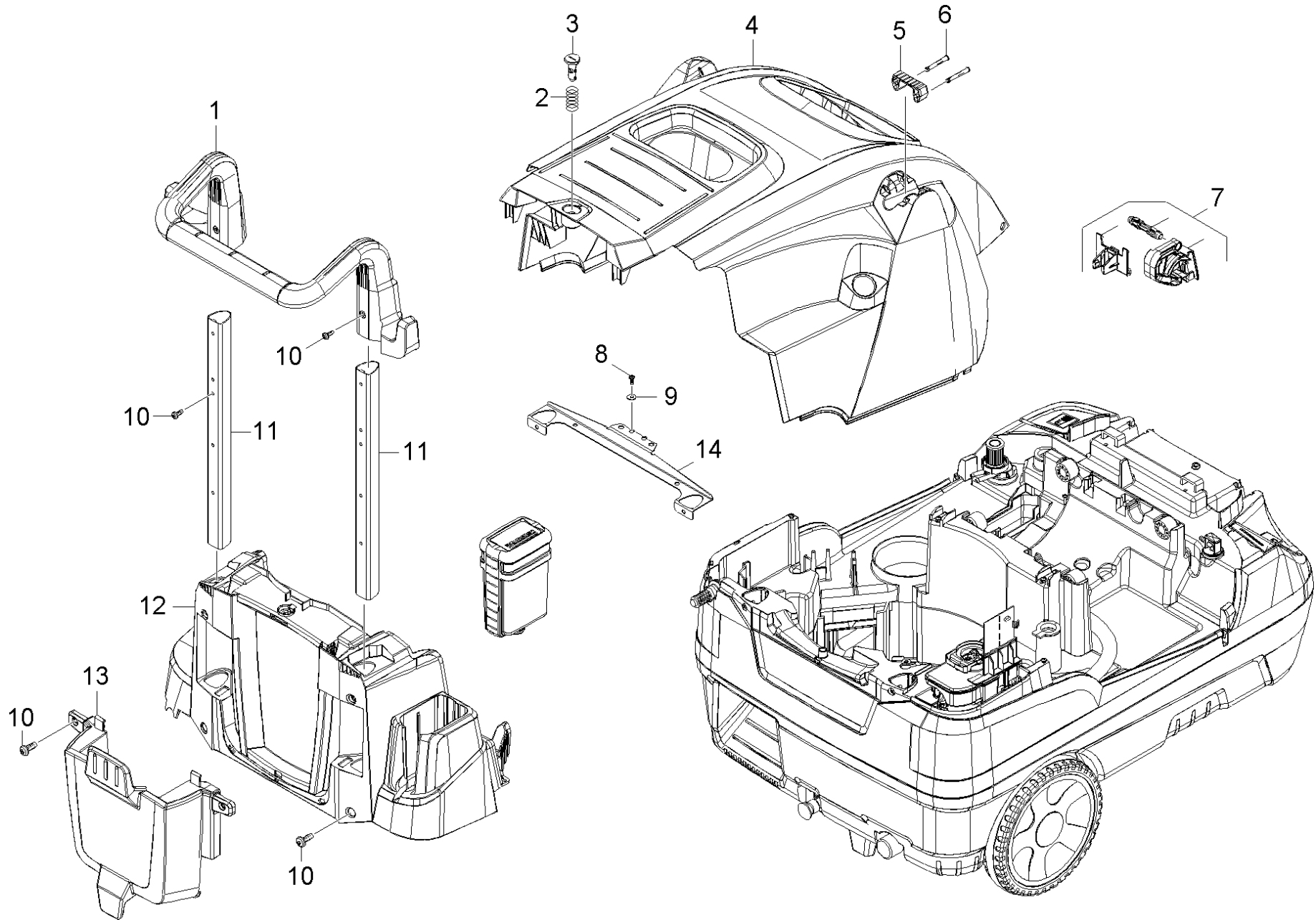
POS	Article no.	Description	Quantity	Unit
0	5.971-750.0	Spare parts list HDS 8/18-4C/CX	1.000	ST

Spare parts list HDS 8/18-4C/CX (5.971-750.0)

POS	Description	Quantity	Unit
10	Housing	1.000	ST
20	Pump set	1.000	ST
30	Motor	1.000	ST
40	Blower	1.000	ST
50	Fuel pump and filter	1.000	ST
60	Electric control box	1.000	ST
70	Flow heater	1.000	ST
80	Float valve	1.000	ST
90	Safety system	1.000	ST
100	Accessories	1.000	ST
110	Control panel	1.000	ST

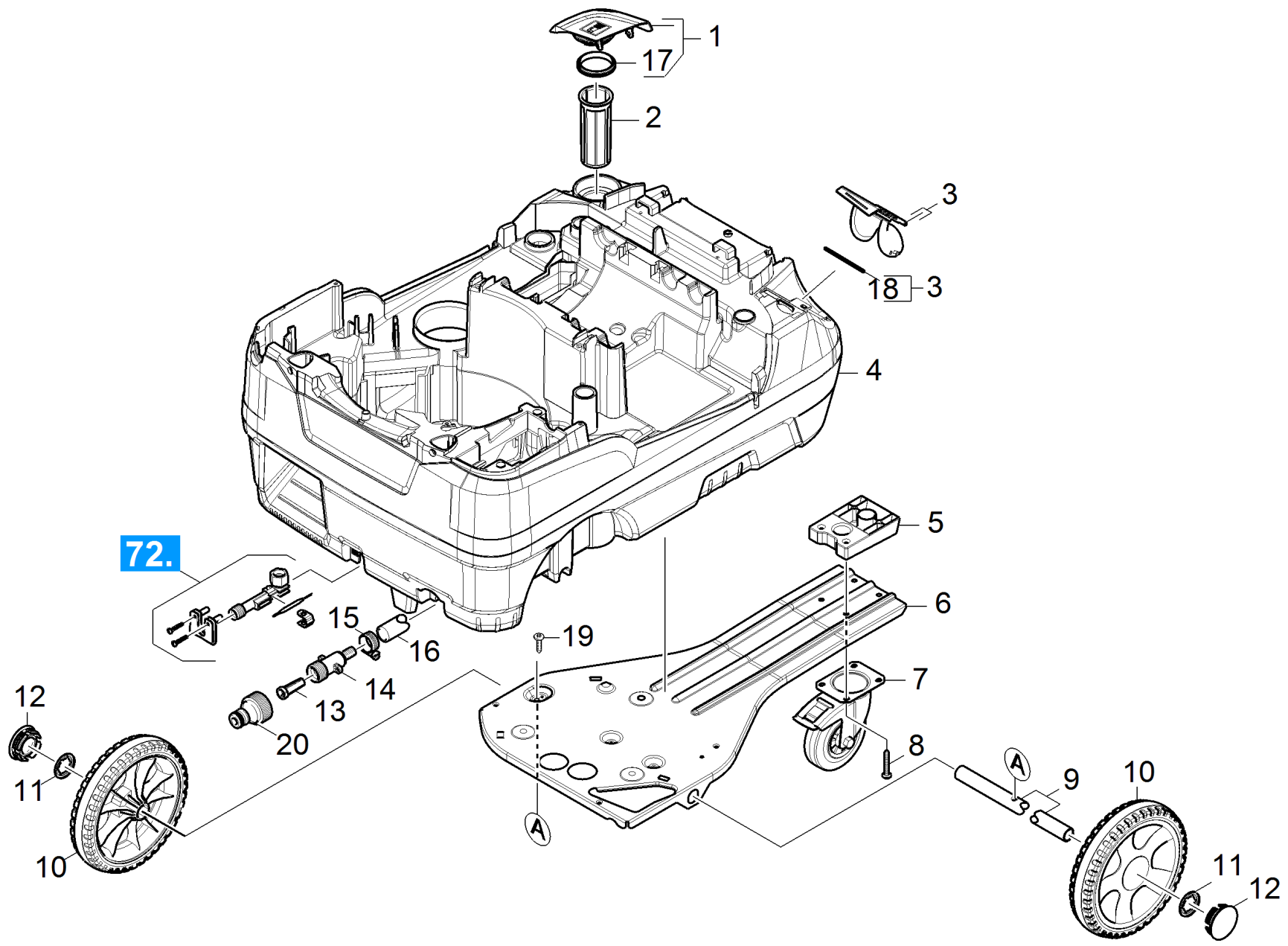
10 Housing

POS	Description	Quantity	Unit
11	Housing top part	1.000	ST
12	Housing bottom part	1.000	ST



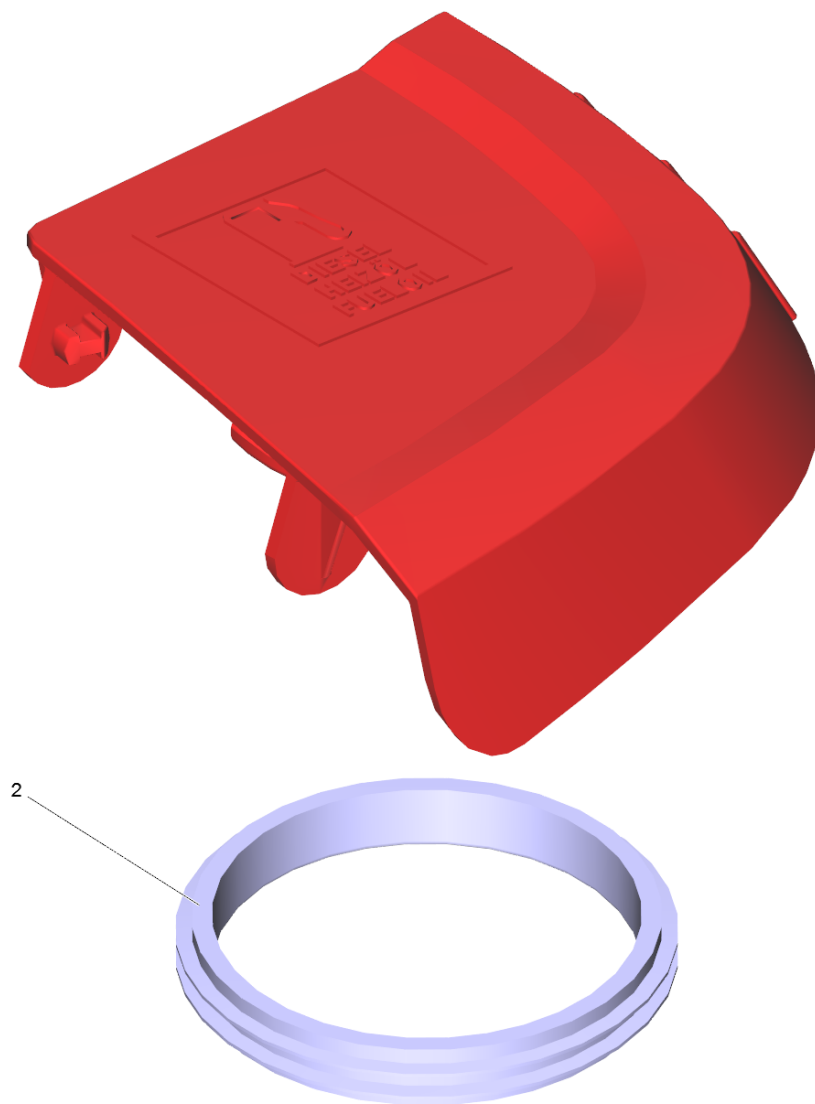
11 Housing top part

POS	Article no.	Description	Quantity	Unit	Foot note text
1	5.321-996.0	Sliding handle	1.000	ST	
2	5.332-236.0	Helical spring	1.000	ST	
3	5.317-765.0	Bolt closure cover	1.000	ST	
4	5.069-386.0	Device cover Grau HDS-C Neu	1.000	ST	
5	5.424-162.0	Fixing jet pipe	1.000	ST	
6	5.314-143.0	Pin fixing jet pipe	2.000	ST	
7	2.885-272.0	Spare part set hinge cover	1.000	ST	SET OF 2 PIECES
8	7.303-038.0	Screw M5x12 -St-P2R (In6Rd)	2.000	ST	
9	7.312-278.0	Washer 5-200HV-A2E ISO7093-1	2.000	ST	
10	7.303-047.0	Screw M6x16 -St-R3R (In6Rd)	6.000	ST	
11	5.107-295.0	Bar handhold	2.000	ST	
12	5.050-912.0	Moulded part rear panel	1.000	ST	
13	5.033-725.0	Tool bag	1.000	ST	
14	5.762-420.0	Bracket plate	1.000	ST	



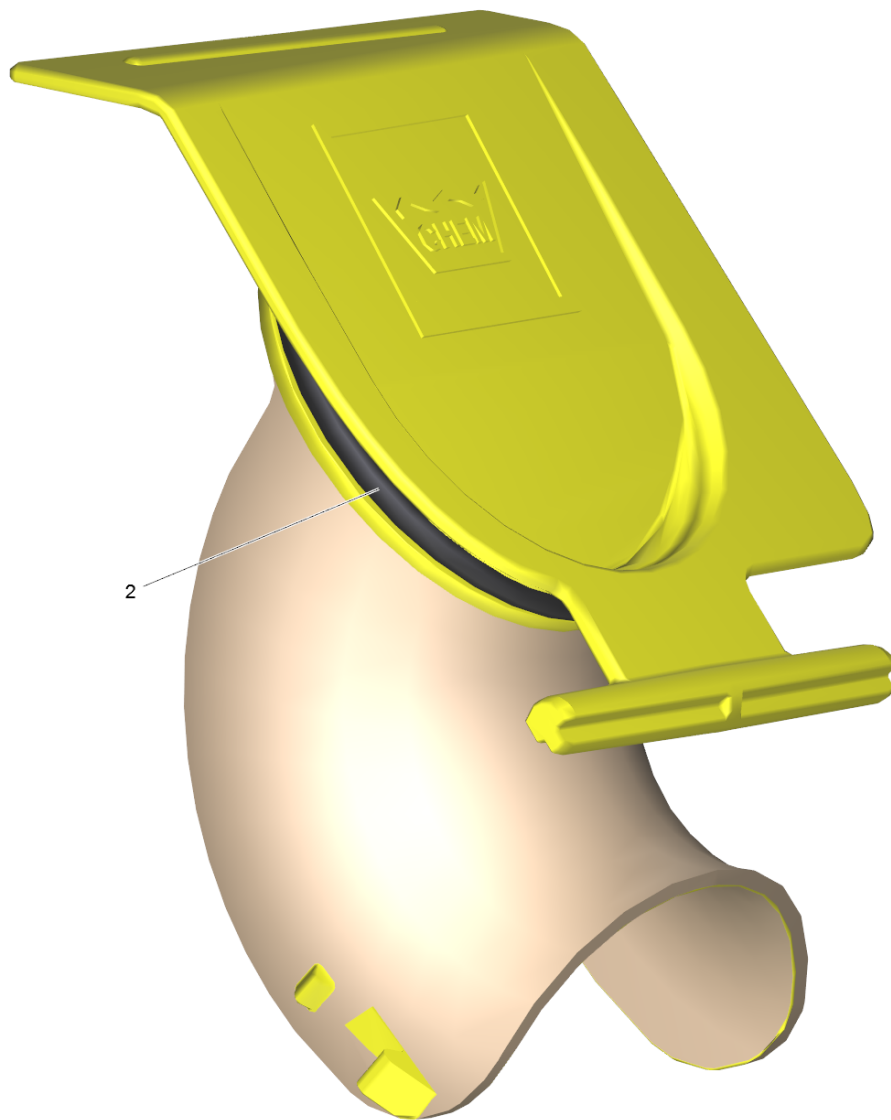
12 Housing bottom part

POS	Article no.	Description	Quantity	Unit	Foot note text
1	4.064-021.0	Cover fuel complete	1.000	ST	
2	5.731-039.0	Filter	1.000	ST	
3	4.064-029.0	Cover complete only for replacement	1.000	ST	
4	4.051-201.0	Base frame complete only for replacement	1.000	ST	
5	5.424-159.0	Fixing castor	1.000	ST	
6	5.051-199.0	Base plate	1.000	ST	
7	6.435-826.0	Castor D 125	1.000	ST	
8	7.303-275.0	Screw 8x50 -10.9-A3E (In6Rd)	4.000	ST	
9	5.105-651.0	Axle	1.000	ST	
10	4.515-343.0	Wheel complete	2.000	ST	
11	6.343-162.0	Lock washer -25	2.000	ST	
12	2.889-086.0	Set wheel cap	1.000	ST	SET OF 2 PIECES
13	6.414-141.0	Strainer	1.000	ST	
14	5.427-432.0	Manifold	1.000	ST	
15	7.373-022.0	Hose clip A-16-27x9 -W2-2 DIN3017	1.000	ST	
16	6.388-719.0	Hose DN17	1.000	M	TO ORDER AS CUT GOODS
17	5.363-300.0	Joint ring	1.000	ST	
18	6.363-564.0	O-Ring seal 65x4 NBR	1.000	ST	
19	7.303-067.0	Screw M8x16-ST-R3R (IN6RD)	1.000	ST	
20	2.640-492.0	Set water connection 1 "	1.000	ST	



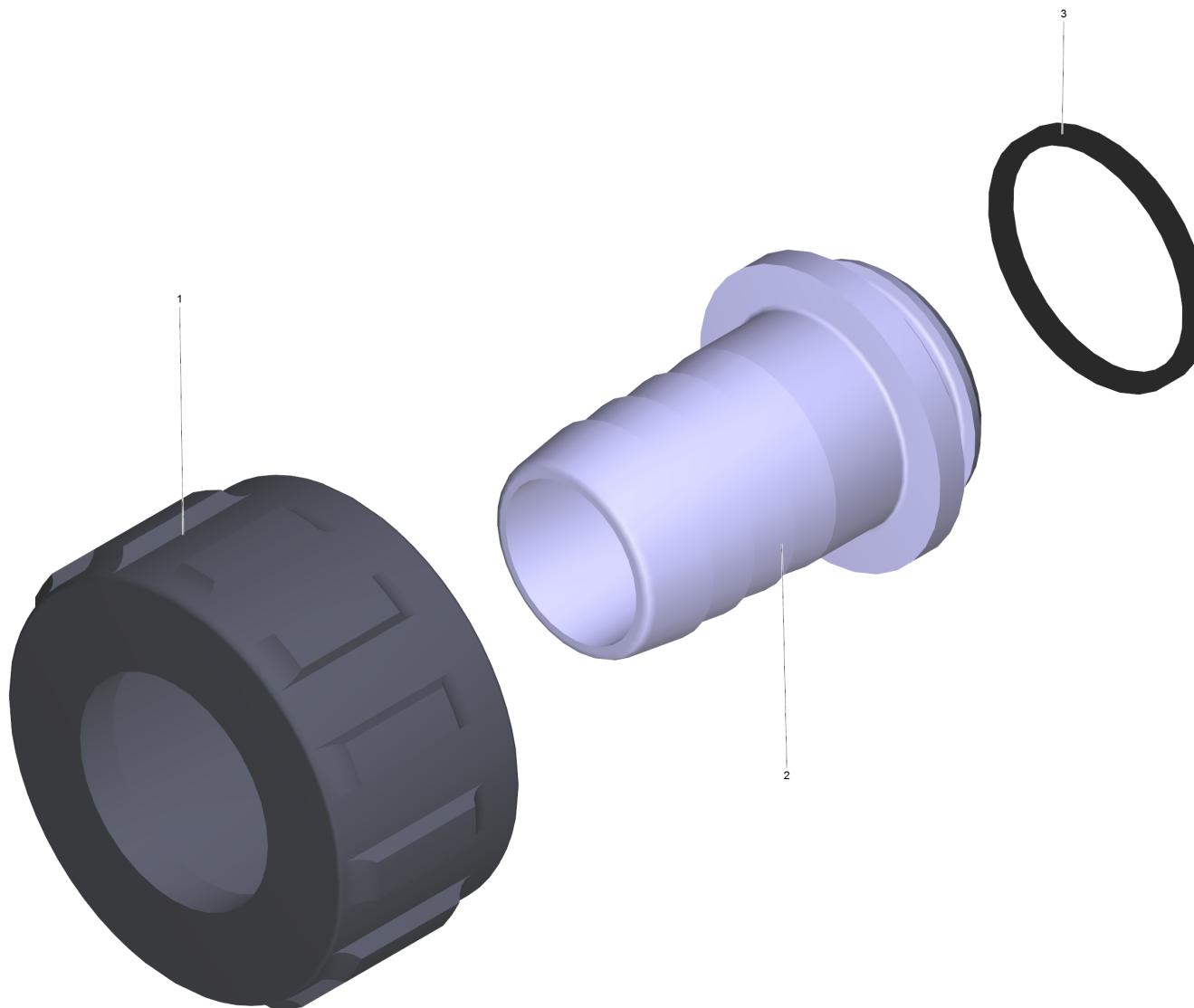
1 Cover fuel complete (4.064-021.0)

POS	Article no.	Description	Quantity	Unit
2	5.363-300.0	Joint ring	1.000	ST



3 Cover complete only for replacement (4.064-029.0)

POS	Article no.	Description	Quantity	Unit
2	6.363-564.0	O-Ring seal 65x4 NBR	1.000	ST

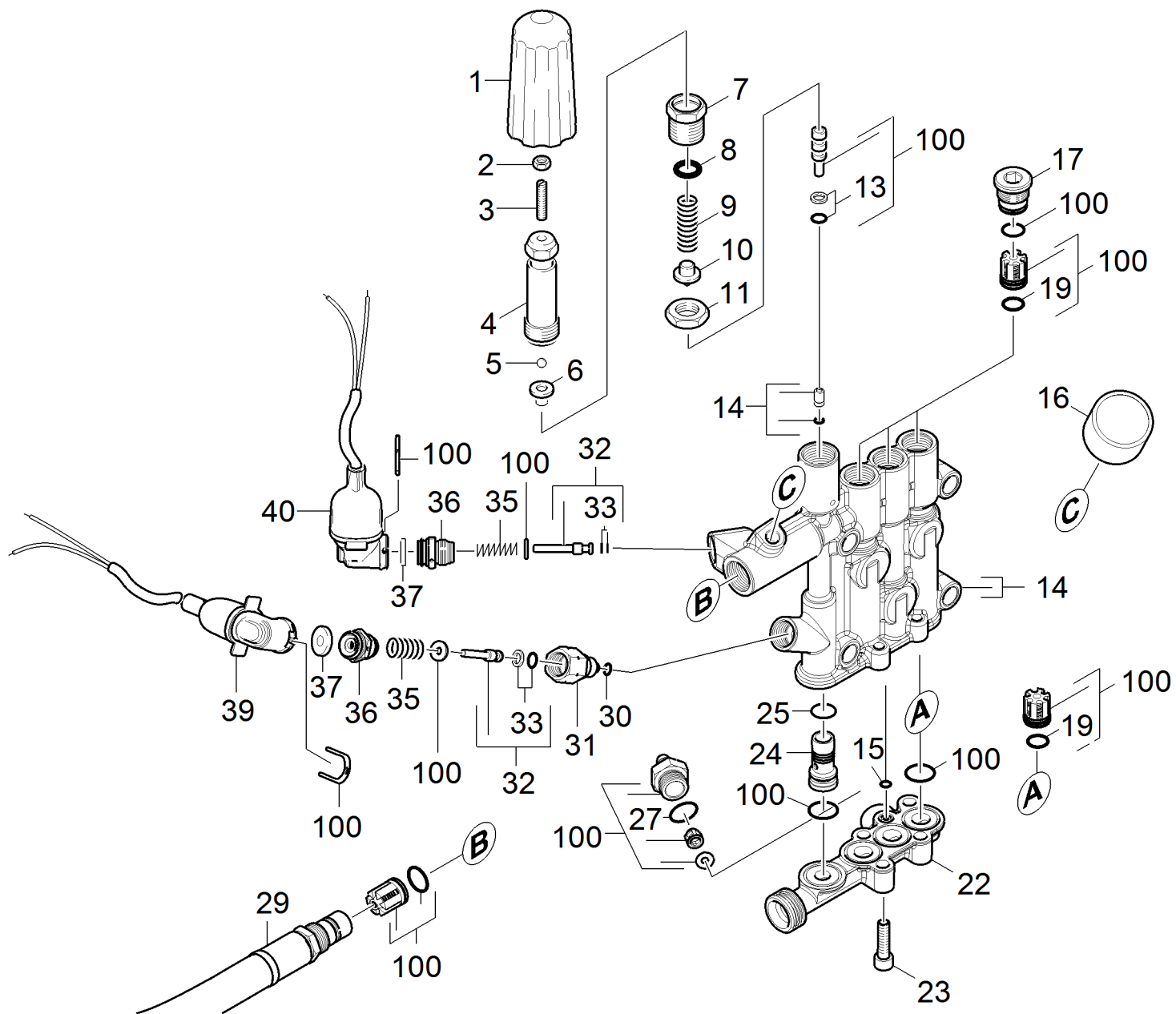


20 Set water connection 1 " (2.640-492.0)

POS	Article no.	Description	Quantity	Unit
1	5.310-076.0	Nut	1.000	ST
2	5.443-291.0	Hose stem	1.000	ST
3	6.362-161.0	O-Ring seal 19,3 X 2,4	1.000	ST

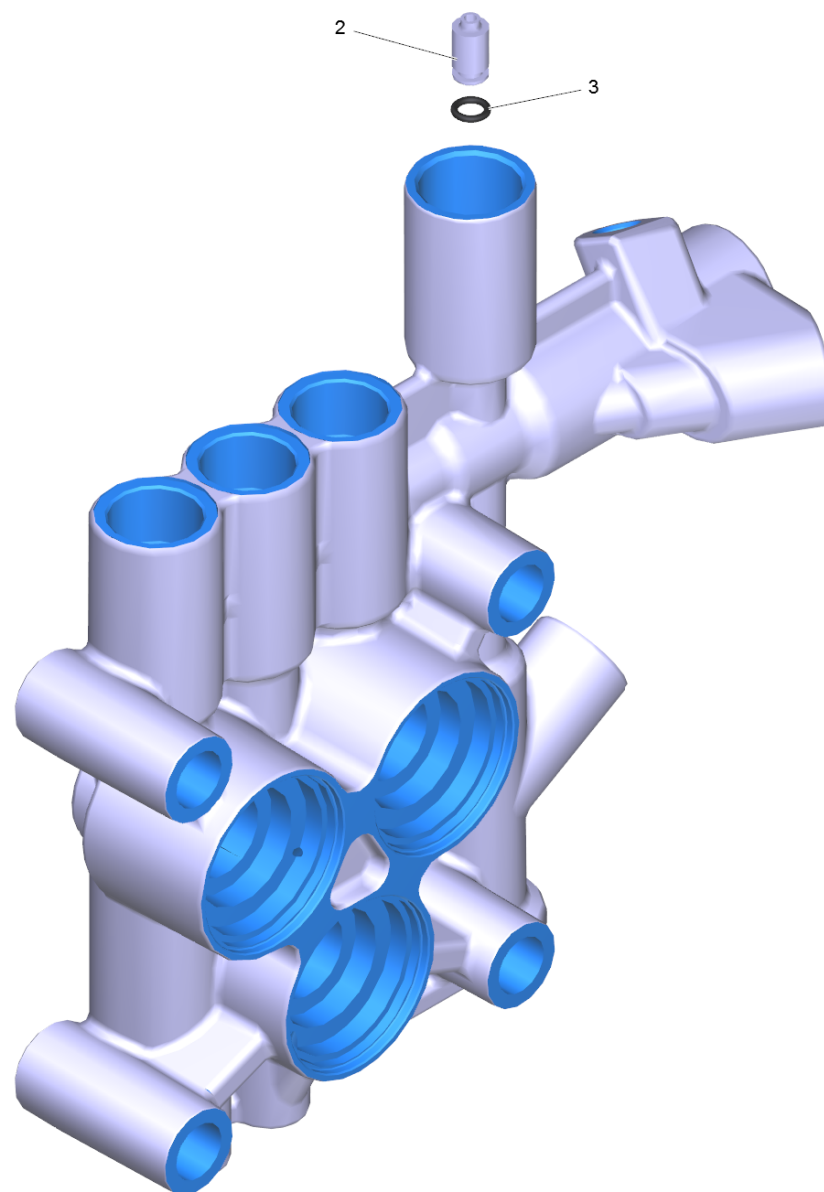
20 Pump set

POS	Description	Quantity	Unit
21	Cylinder head	1.000	ST
22	Piston	1.000	ST



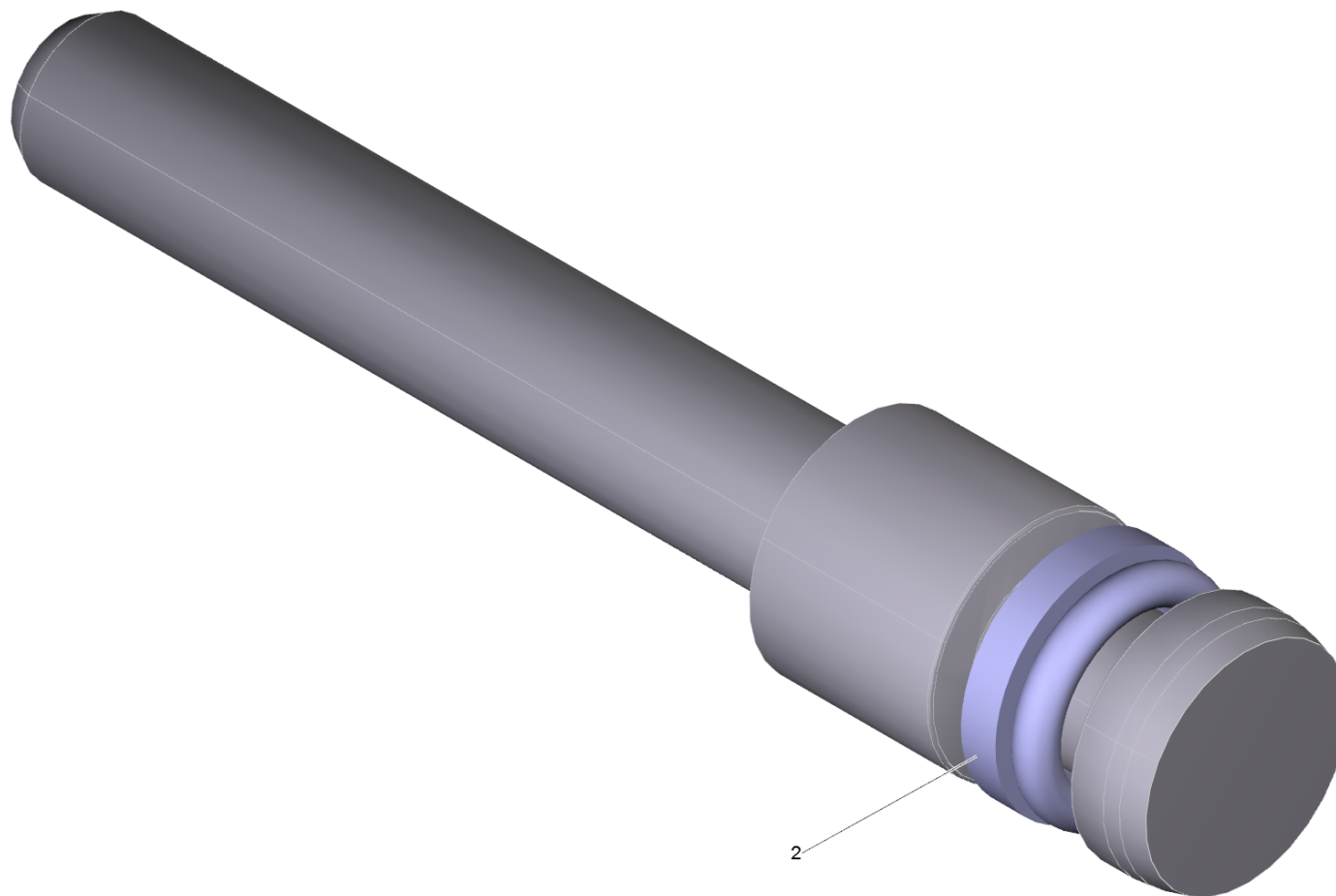
21 Cylinder head

POS	Article no.	Description	Quantity	Unit
1	5.322-103.0	Handle	1.000	ST
2	7.311-002.0	Hexagon nut M5 -8-A2E ISO 4032	1.000	ST
3	7.307-017.0	Threaded pin M5x40 -St-45H-A2E ISO 4026	1.000	ST
4	5.304-070.0	Hexagonal head screw	1.000	ST
5	7.401-931.0	Sphere 5 KI3 -1.4401 DIN 5401	1.000	ST
6	5.582-121.0	Valve disc	1.000	ST
7	5.404-082.0	Hollow screw	1.000	ST
8	6.362-079.0	O-Ring seal 18,0 X 2,5	1.000	ST
9	5.332-444.0	Helical spring	1.000	ST
10	5.584-114.0	Valve pin	1.000	ST
11	5.311-204.0	Hexagon nut M22x1,5	1.000	ST
13	6.362-468.0	O-Ring seal complete 1ST.-R.	1.000	ST
14	4.550-995.0	Cylinder head complete only for replacem	1.000	ST
15	6.362-703.0	O-Ring seal 6,0x1,5-NBR 70	1.000	ST
16	4.422-990.0	Pressure gauge complete only for replace	1.000	ST
17	5.583-146.3	Valve screw	3.000	ST
19	6.363-003.0	O-Ring seal 13,0 X 2,0-NBR 90	6.000	ST
22	5.427-439.0	Manifold water intake	1.000	ST
23	7.306-043.0	Cylinder head screw M8x30 -8.8-A2E ISO	4.000	ST
24	5.110-800.0	Sleeve	1.000	ST
25	6.362-381.0	O-Ring seal 13x2 - NBR 70	1.000	ST
27	6.362-427.0	O-Ring seal 15,0x2,0	1.000	ST
29	6.391-859.0	High pressure hose DN 13	1.000	ST
30	6.362-853.0	O-Ring seal 4,47x1,78	1.000	ST
31	5.402-705.3	Joining piece	1.000	ST
32	4.553-197.0	Piston complete only for replacement	2.000	ST
33	6.363-037.0	O-Ring seal complete 1ST.-R.	2.000	ST
35	5.332-268.0	Helical spring	2.000	ST
36	5.411-148.0	Screw plug	2.000	ST
37	5.367-030.0	Diaphragm	2.000	ST
39	4.744-225.3	Switch complete	1.000	ST
40	4.744-224.0	Switch complete	1.000	ST
100	2.884-008.0	Pump set	1.000	ST



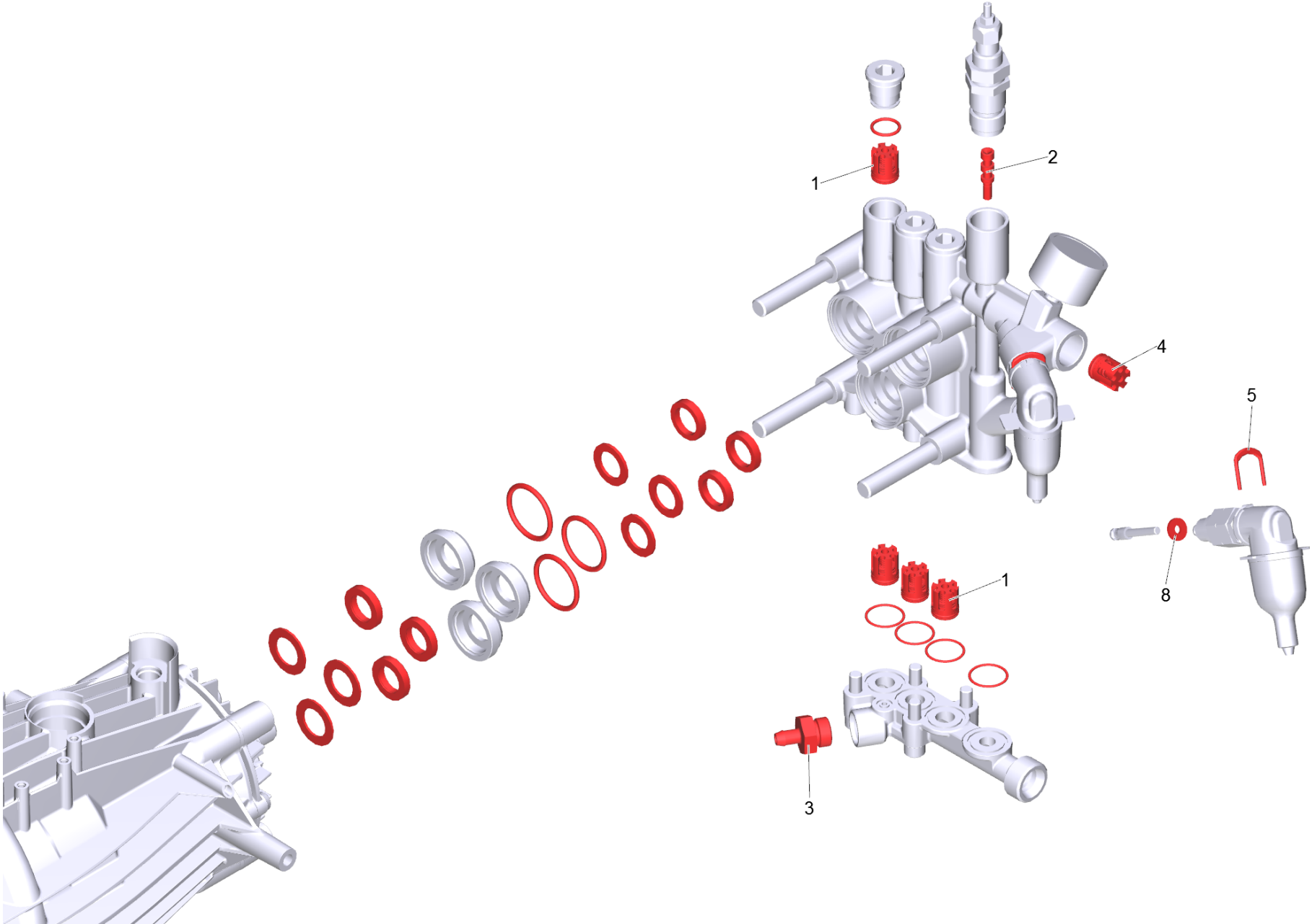
14 Cylinder head complete only for replacem (4.550-995.0)

POS	Article no.	Description	Quantity	Unit
2	5.581-239.0	Valve seat	1.000	ST
3	6.362-386.0	O-Ring seal 5,0 x 1,5-NBR 80	1.000	ST



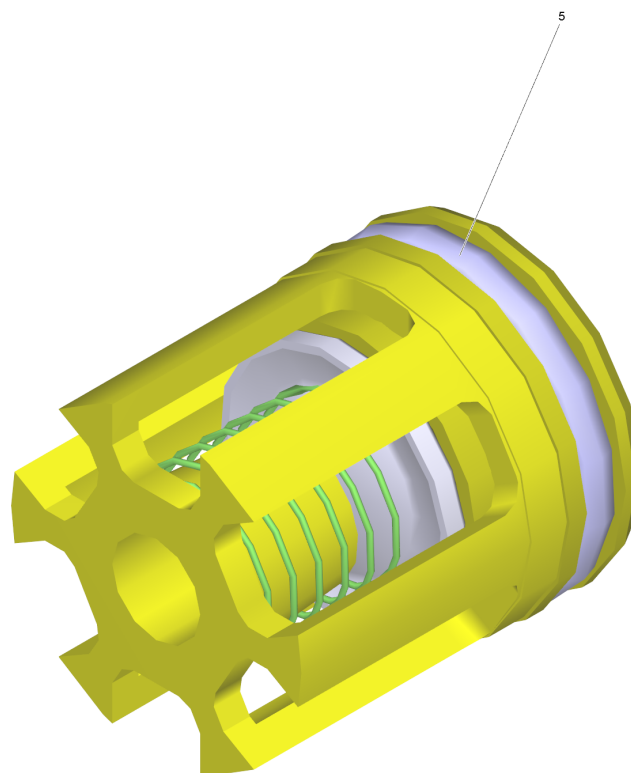
32 Piston complete only for replacement (4.553-197.0)

POS	Article no.	Description	Quantity	Unit
2	6.363-037.0	O-Ring seal complete 1ST.-R.	1.000	ST



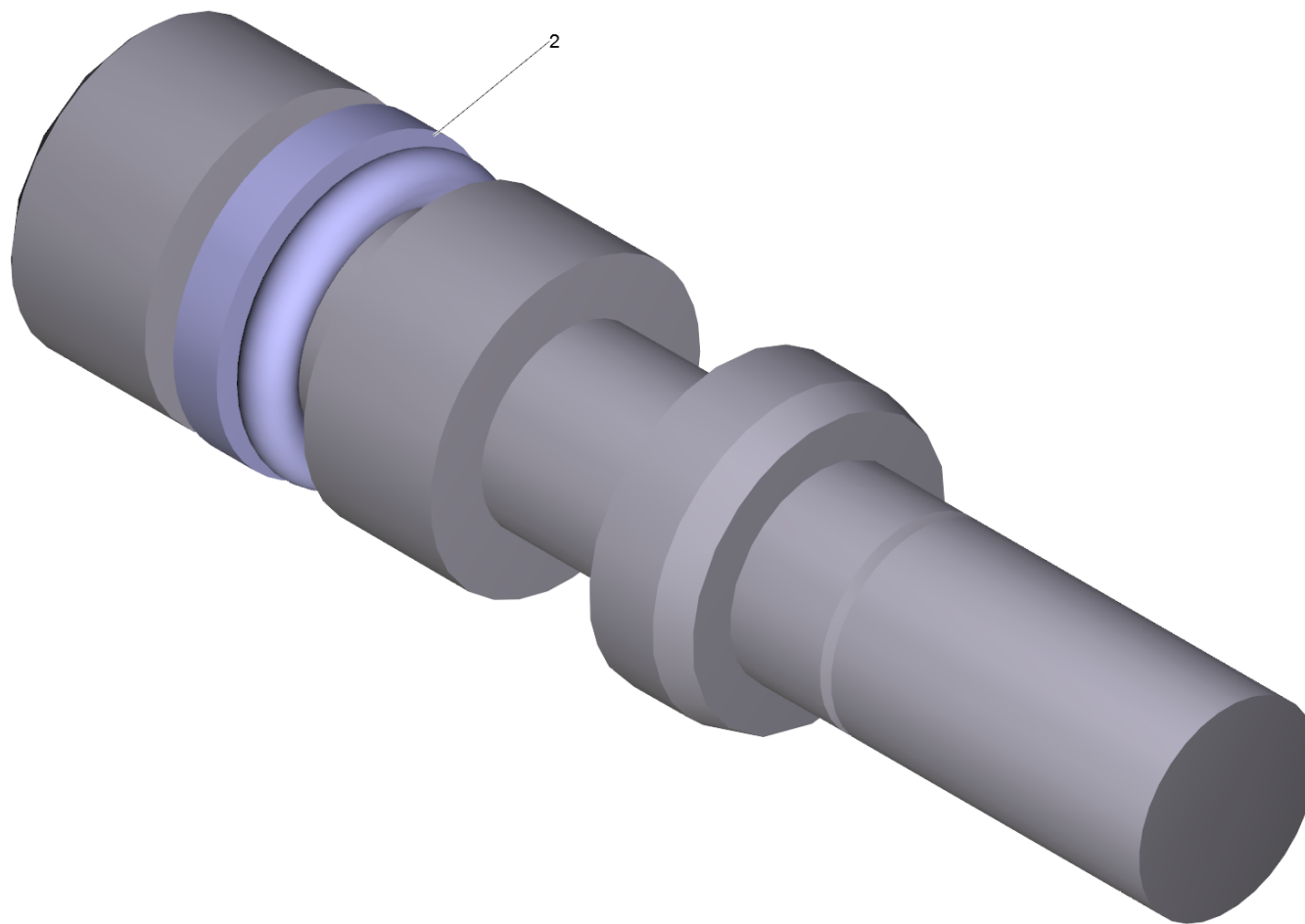
100 Pump set (2.884-008.0)

POS	Article no.	Description	Quantity	Unit
1	2.884-512.0	Valve (3 Stueck)	2.000	ST
2	4.553-198.0	Piston complete only for replacement	1.000	ST
3	4.580-581.3	Valve complete	1.000	ST
4	4.580-594.0	Valve complete	1.000	ST
5	5.034-494.0	Retaining bracket	2.000	ST
8	5.115-796.0	Washer	2.000	ST



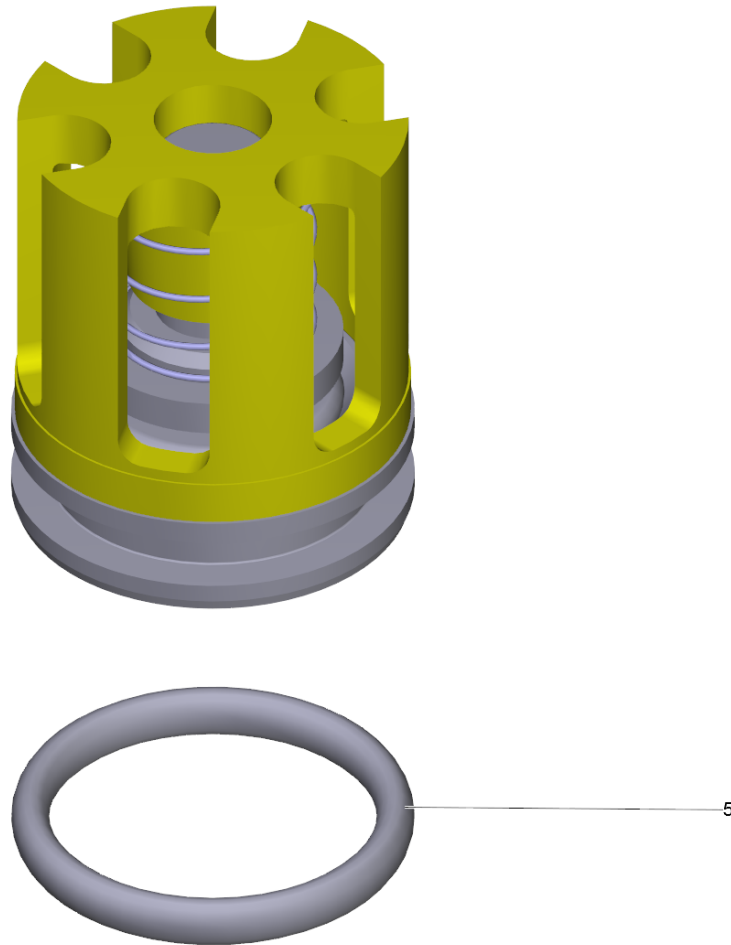
1 Valve (3 Stueck) (2.884-512.0)

POS	Article no.	Description	Quantity	Unit
5	6.363-003.0	O-Ring seal 13,0 X 2,0-NBR 90	1.000	ST



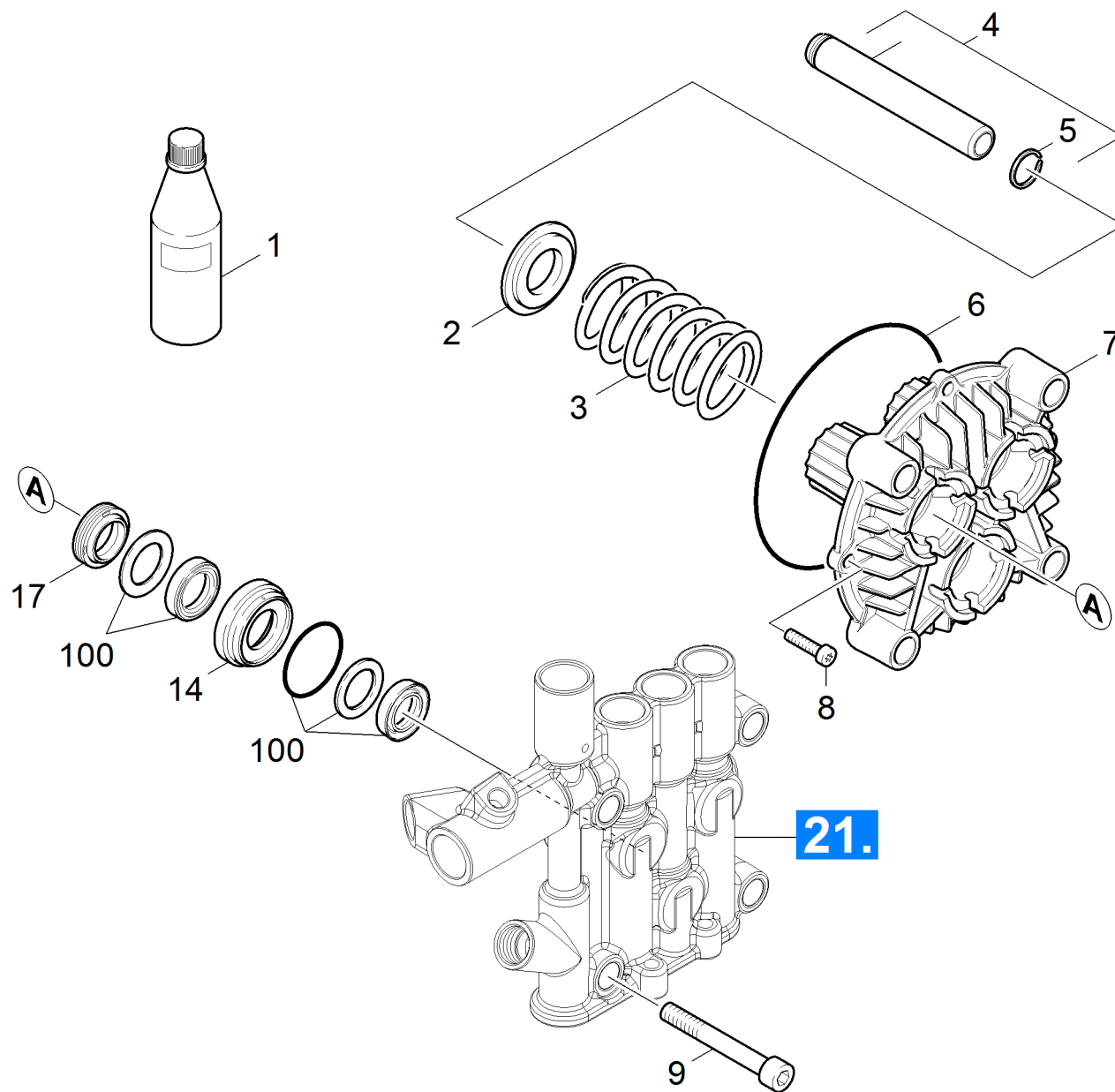
2 Piston complete only for replacement (4.553-198.0)

POS	Article no.	Description	Quantity	Unit
2	6.362-468.0	O-Ring seal complete 1ST.-R.	1.000	ST



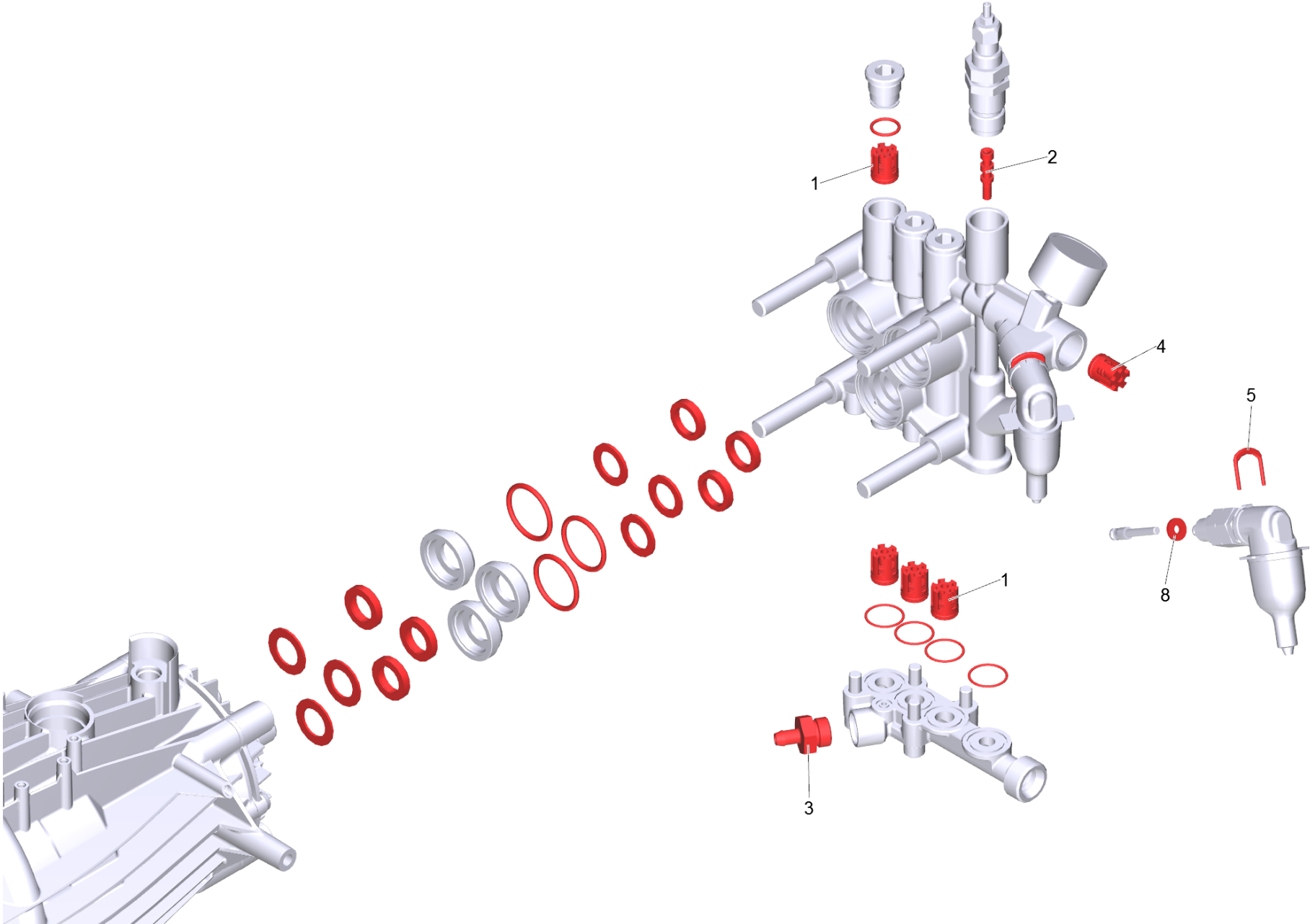
4 Valve complete (4.580-594.0)

POS	Article no.	Description	Quantity	Unit
5	6.362-381.0	O-Ring seal 13x2 - NBR 70	1.000	ST



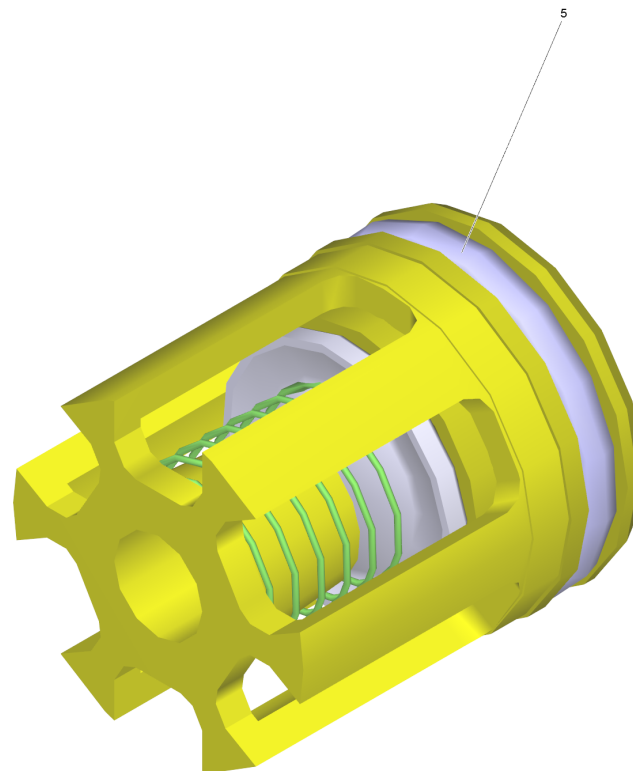
22 Piston

POS	Article no.	Description	Quantity	Unit
1	6.288-016.0	Gear oil 1L	1.000	ST
2	5.116-325.0	Washer	3.000	ST
3	5.332-550.0	Helical spring	3.000	ST
4	4.553-314.0	Piston complete only for replacement	3.000	ST
5	7.343-473.0	Snap ring 18 -FST DIN 9925	3.000	ST
6	6.362-613.0	O-Ring seal 101,27X 2,62-NBR 70	1.000	ST
7	5.061-208.3	Thrust guidance D18	1.000	ST
8	7.306-105.0	Screw M6x30 -8.8-R3R (In6Rd)	2.000	ST
9	7.306-155.0	Cylinder head screw M12x100 -8.8-A3E IS	4.000	ST
14	5.112-340.3	Bush	3.000	ST
17	6.365-334.0	Grooved ring 18X26X6/8	3.000	ST
100	2.884-008.0	Pump set	1.000	ST



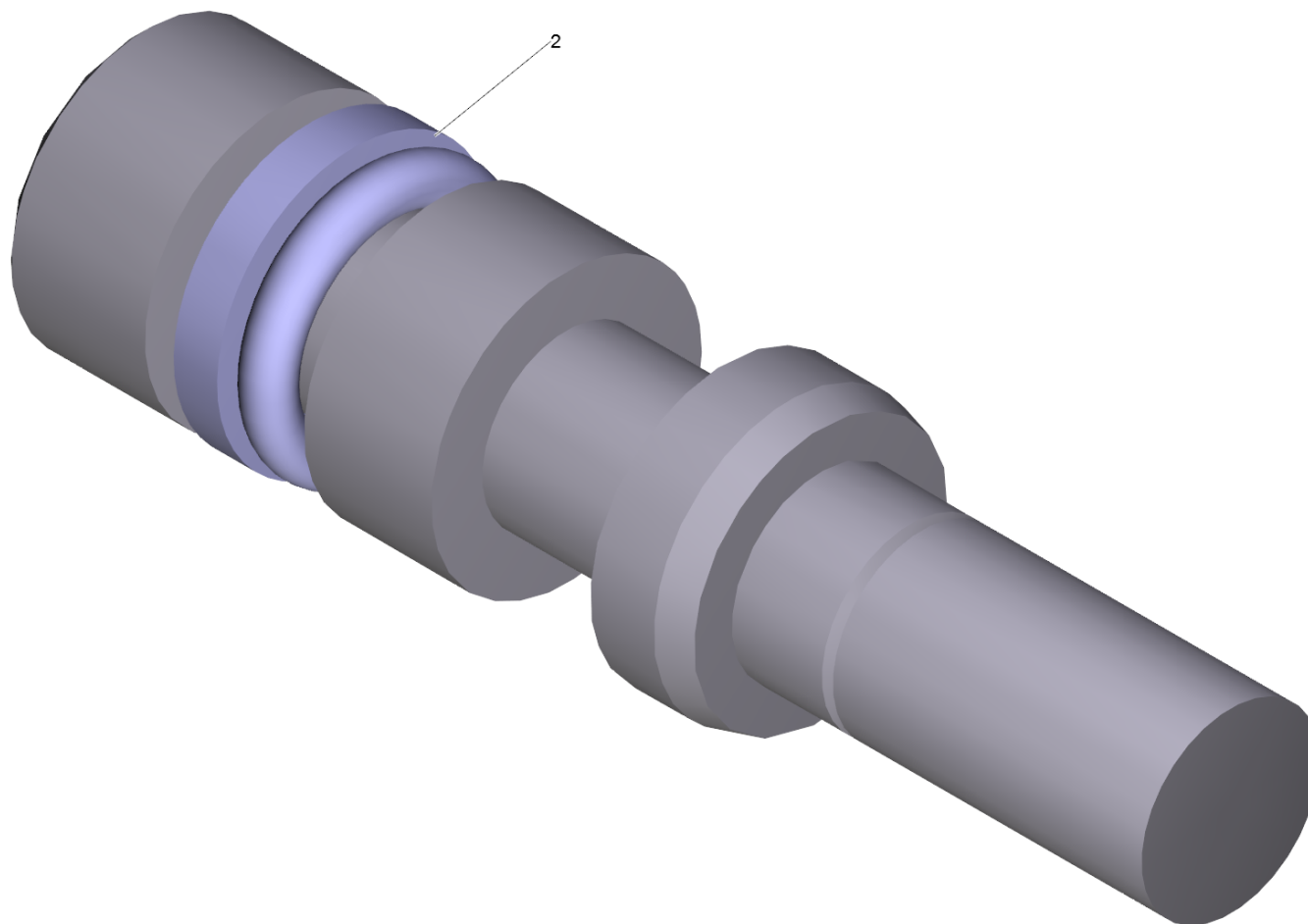
100 Pump set (2.884-008.0)

POS	Article no.	Description	Quantity	Unit
1	2.884-512.0	Valve (3 Stueck)	2.000	ST
2	4.553-198.0	Piston complete only for replacement	1.000	ST
3	4.580-581.3	Valve complete	1.000	ST
4	4.580-594.0	Valve complete	1.000	ST
5	5.034-494.0	Retaining bracket	2.000	ST
8	5.115-796.0	Washer	2.000	ST



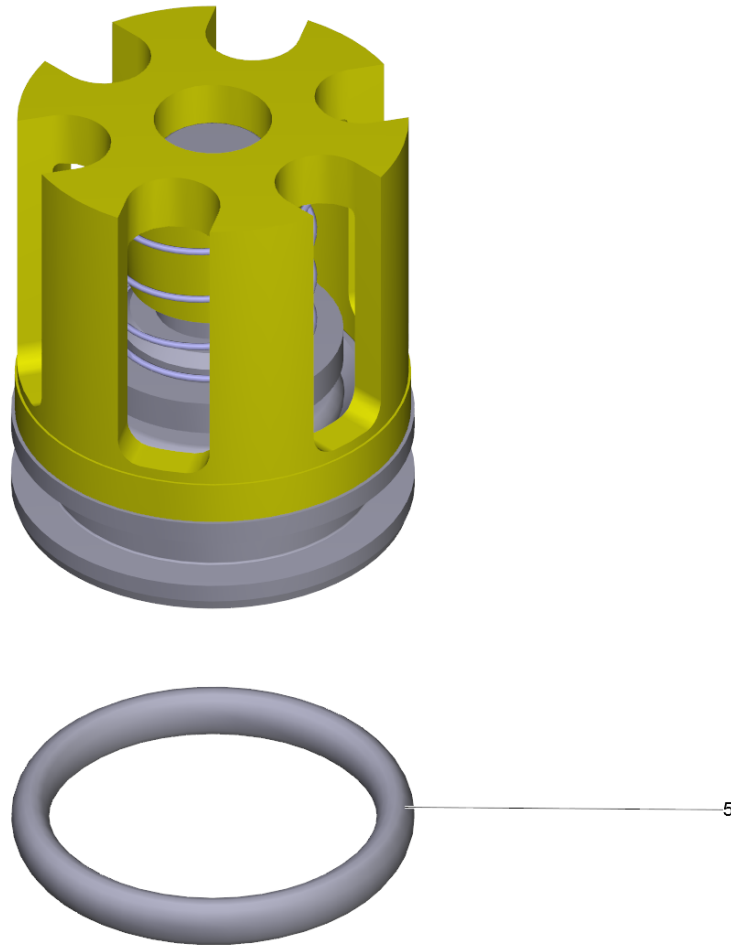
1 Valve (3 Stueck) (2.884-512.0)

POS	Article no.	Description	Quantity	Unit
5	6.363-003.0	O-Ring seal 13,0 X 2,0-NBR 90	1.000	ST



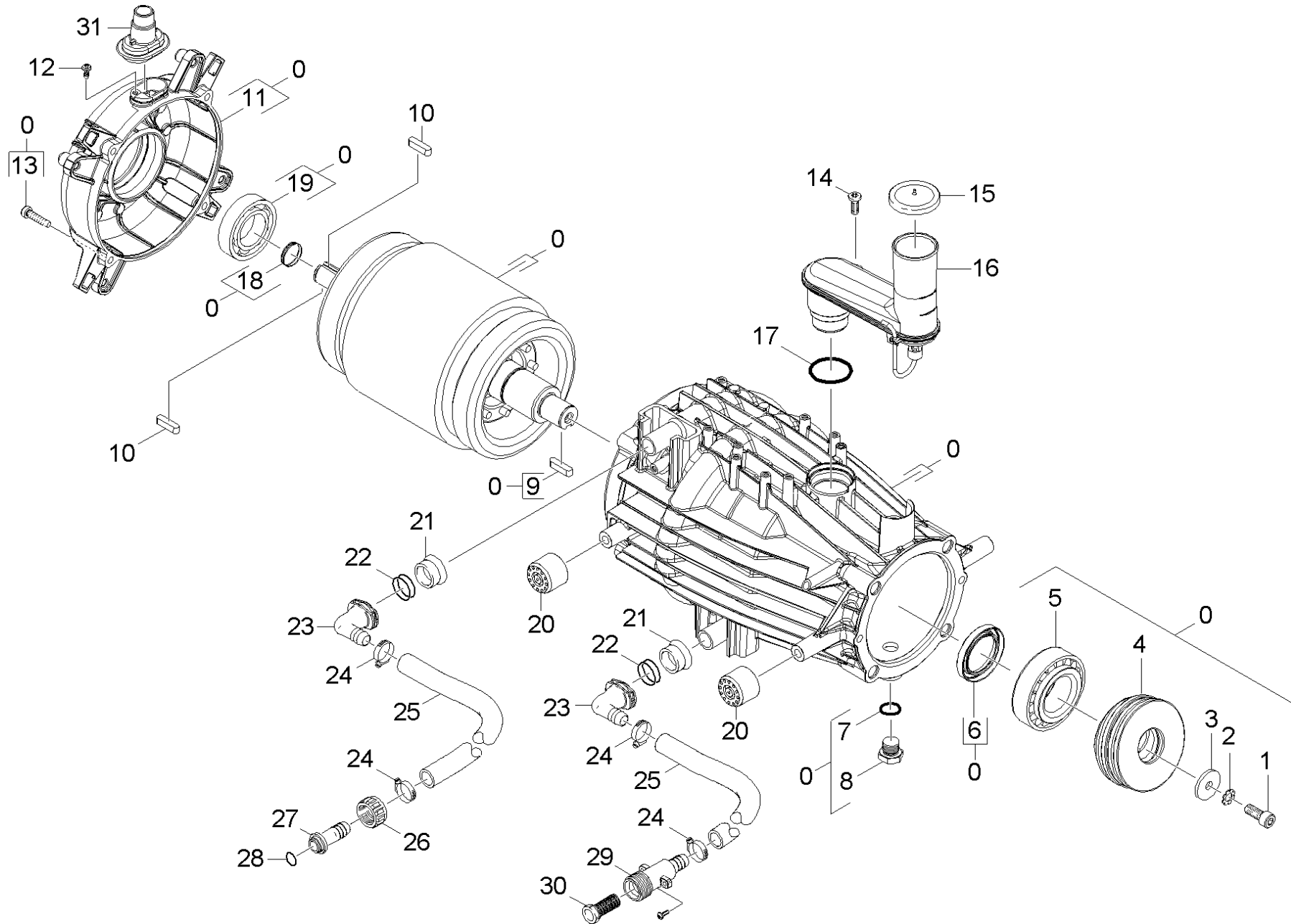
2 Piston complete only for replacement (4.553-198.0)

POS	Article no.	Description	Quantity	Unit
2	6.362-468.0	O-Ring seal complete 1ST.-R.	1.000	ST



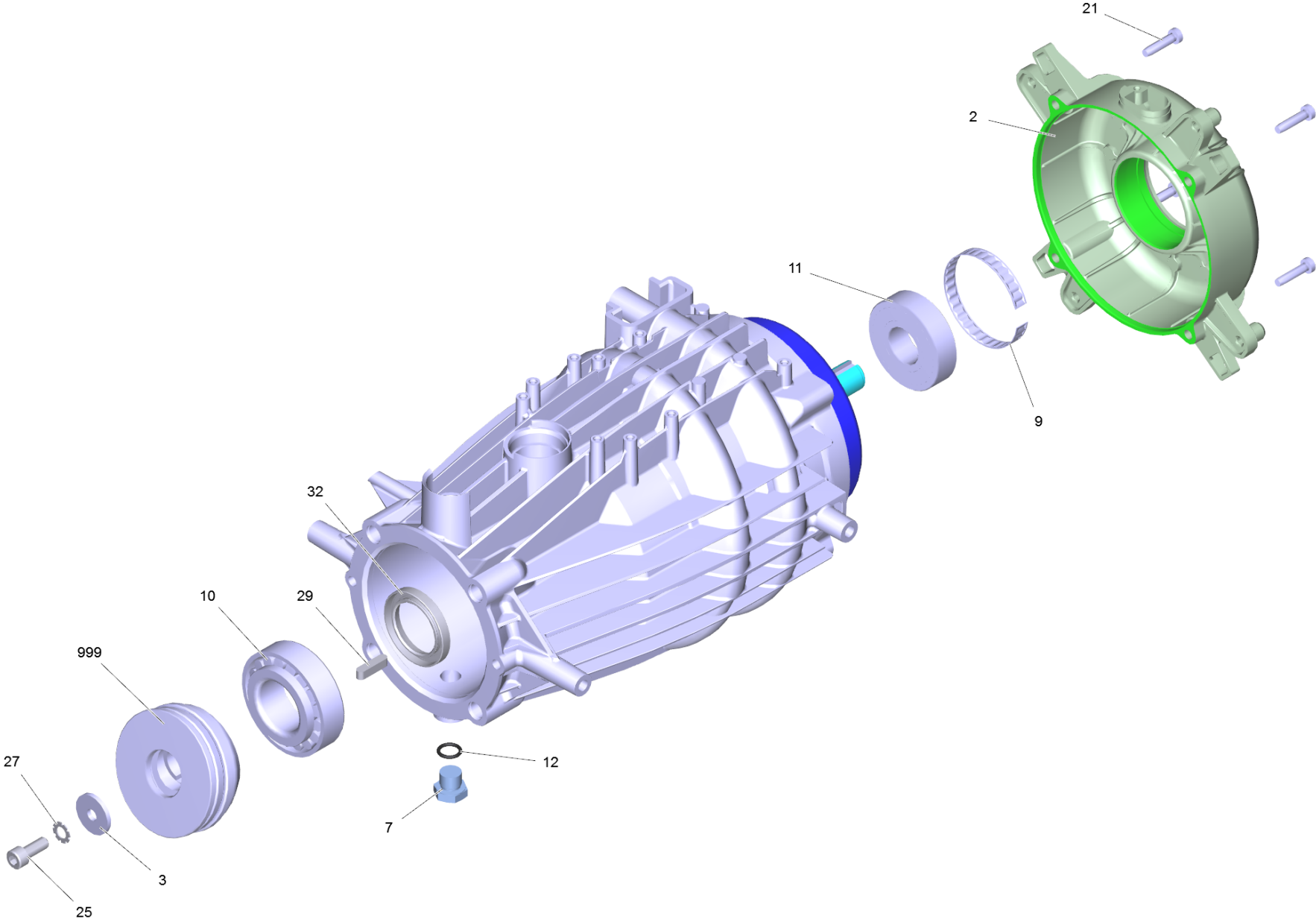
4 Valve complete (4.580-594.0)

POS	Article no.	Description	Quantity	Unit
5	6.362-381.0	O-Ring seal 13x2 - NBR 70	1.000	ST



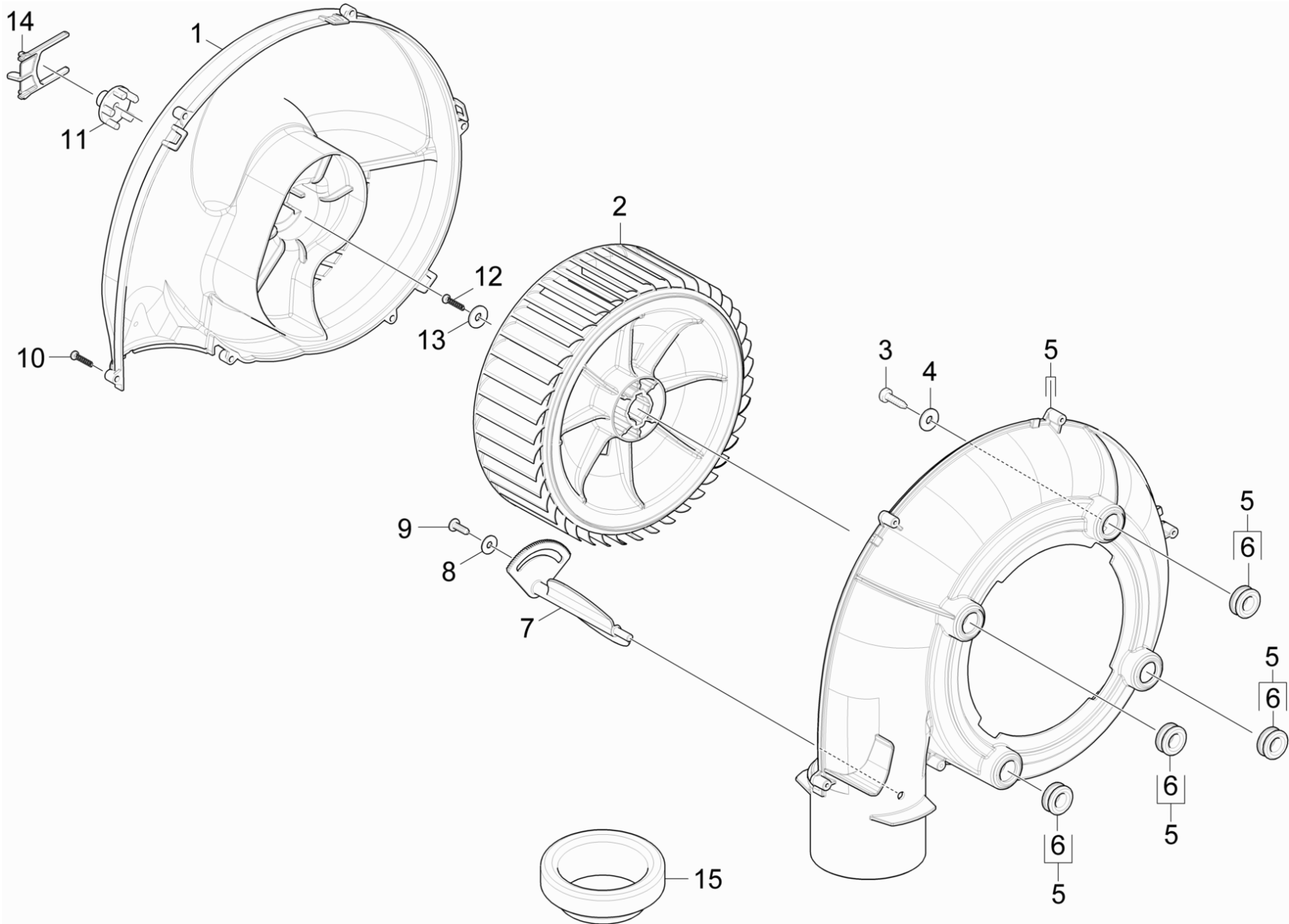
30 Motor

POS	Article no.	Description	Quantity	Unit	Foot note text
0	4.624-027.0	Motor complete nur fuer Ersatz	1.000	ST	
1	7.306-041.0	Cylinder head screw M8x20 -8.8-A2E ISO	1.000	ST	
2	7.312-159.0	Toothed lock washer A8,4-FST-PH DIN 679	1.000	ST	
3	5.115-565.0	Washer	1.000	ST	
4	4.120-247.0	Wobble plate complete only for replaceme	1.000	ST	
5	6.401-405.0	Taper roller bearing	1.000	ST	
6	7.367-009.0	Radial shaft seal ring A35x52x7-NBR DIN	1.000	ST	
7	6.362-028.0	O-Ring seal 11x2,2 NBR 70	1.000	ST	
8	5.411-100.0	Screw plug	1.000	ST	
9	7.318-030.0	Parallel key 6x6x25 -C45K DIN 6885-1	1.000	ST	
10	7.318-032.0	Parallel key 6x6x32-C45K DIN 6885	2.000	ST	
11	5.061-186.0	Bearing cover B	1.000	ST	
12	7.303-031.0	Screw M4x10 -St-P2R (In6Rd)	1.000	ST	
13	6.303-515.0	Self-tapping screw M6x25	4.000	ST	
14	6.303-153.0	Screw M5x15-ST-R2R (IN6RD)	1.000	ST	
15	5.064-457.0	cover plate qusty grey oil	1.000	ST	
16	4.070-748.0	Tank oil complete	1.000	ST	
17	6.362-722.0	O-Ring seal 28,0 X 3,0	1.000	ST	
18	6.343-010.0	Tolerance ring 62x10	1.000	ST	
19	6.401-253.0	Ball bearing 6305-2Z	1.000	ST	
20	5.767-005.0	Rubber buffer	4.000	ST	
21	5.110-341.0	Sleeve	2.000	ST	
22	6.362-579.0	O-Ring seal 17,5 X 3,5	4.000	ST	
23	5.427-415.0	Manifold	2.000	ST	
24	7.373-022.0	Hose clip A-16-27x9 -W2-2 DIN3017	4.000	ST	
25	6.388-719.0	Hose DN17	2.000	M	TO ORDER AS CUT GOODS
26	5.310-062.0	Nut	1.000	ST	
27	5.443-224.0	Hose stem	1.000	ZST	
28	6.362-078.0	O-Ring seal 13,3x2,4	1.000	ST	
29	5.427-432.0	Manifold	1.000	ST	
30	6.414-141.0	Strainer	1.000	ST	
31	5.365-336.0	Profile gasket	1.000	ST	



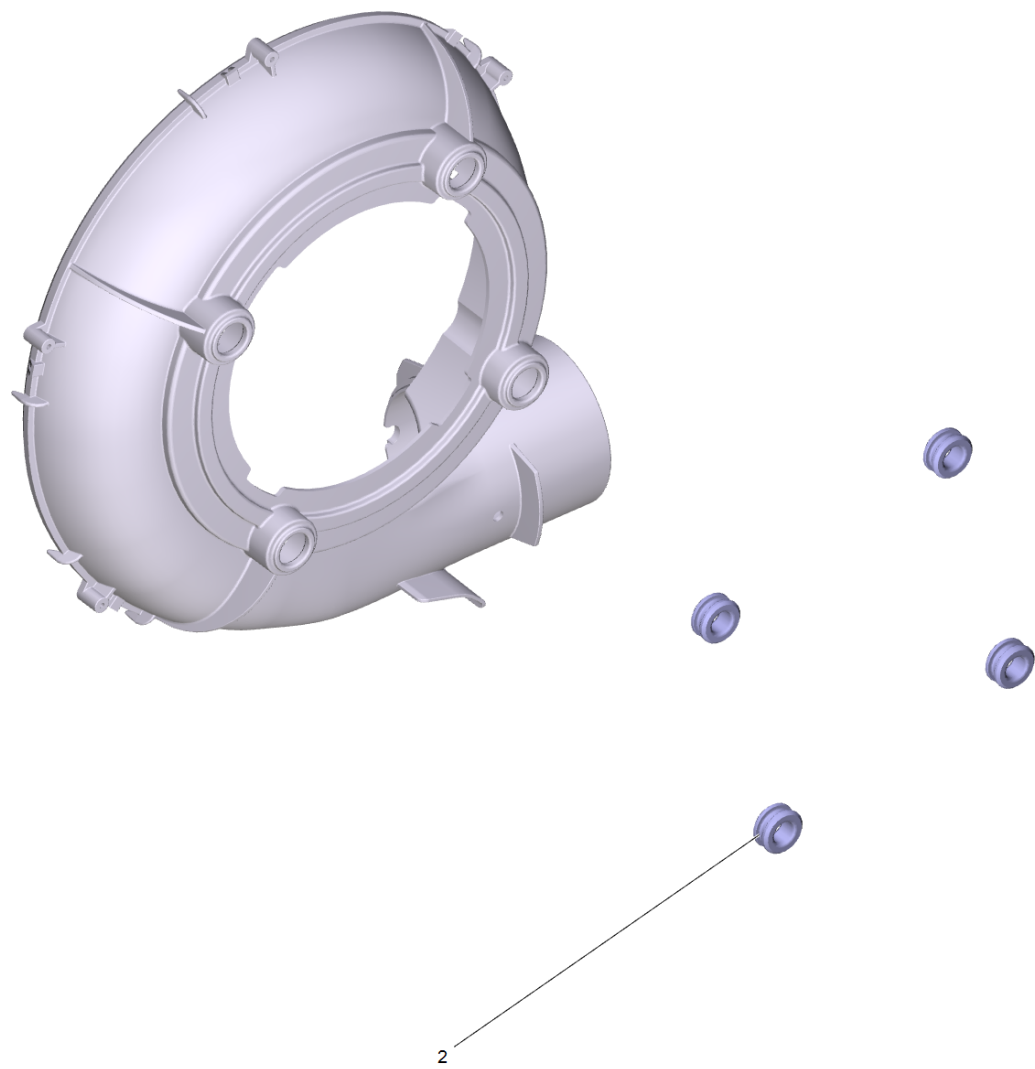
Motor complete nur fuer Ersatz (4.624-027.0)

POS	Article no.	Description	Quantity	Unit
2	5.061-186.0	Bearing cover B	1.000	ST
3	5.115-565.0	Washer	1.000	ST
7	5.411-100.0	Screw plug	1.000	ST
9	6.343-010.0	Tolerance ring 62x10	1.000	ST
10	6.401-405.0	Taper roller bearing	1.000	ST
11	6.401-253.0	Ball bearing 6305-2Z	1.000	ST
12	6.362-028.0	O-Ring seal 11x2,2 NBR 70	1.000	ST
17	6.869-072.0	Metal bonding agent	0.001	ZST
21	6.303-515.0	Self-tapping screw M6x25	4.000	ST
25	7.306-041.0	Cylinder head screw M8x20 -8.8-A2E ISO	1.000	ST
27	7.312-159.0	Toothed lock washer A8,4-FST-PH DIN 679	1.000	ST
29	7.318-030.0	Parallel key 6x6x25 -C45K DIN 6885-1	1.000	ST
32	7.367-009.0	Radial shaft seal ring A35x52x7-NBR DIN	1.000	ST
999	4.120-247.0	Wobble plate complete only for replaceme	1.000	ST



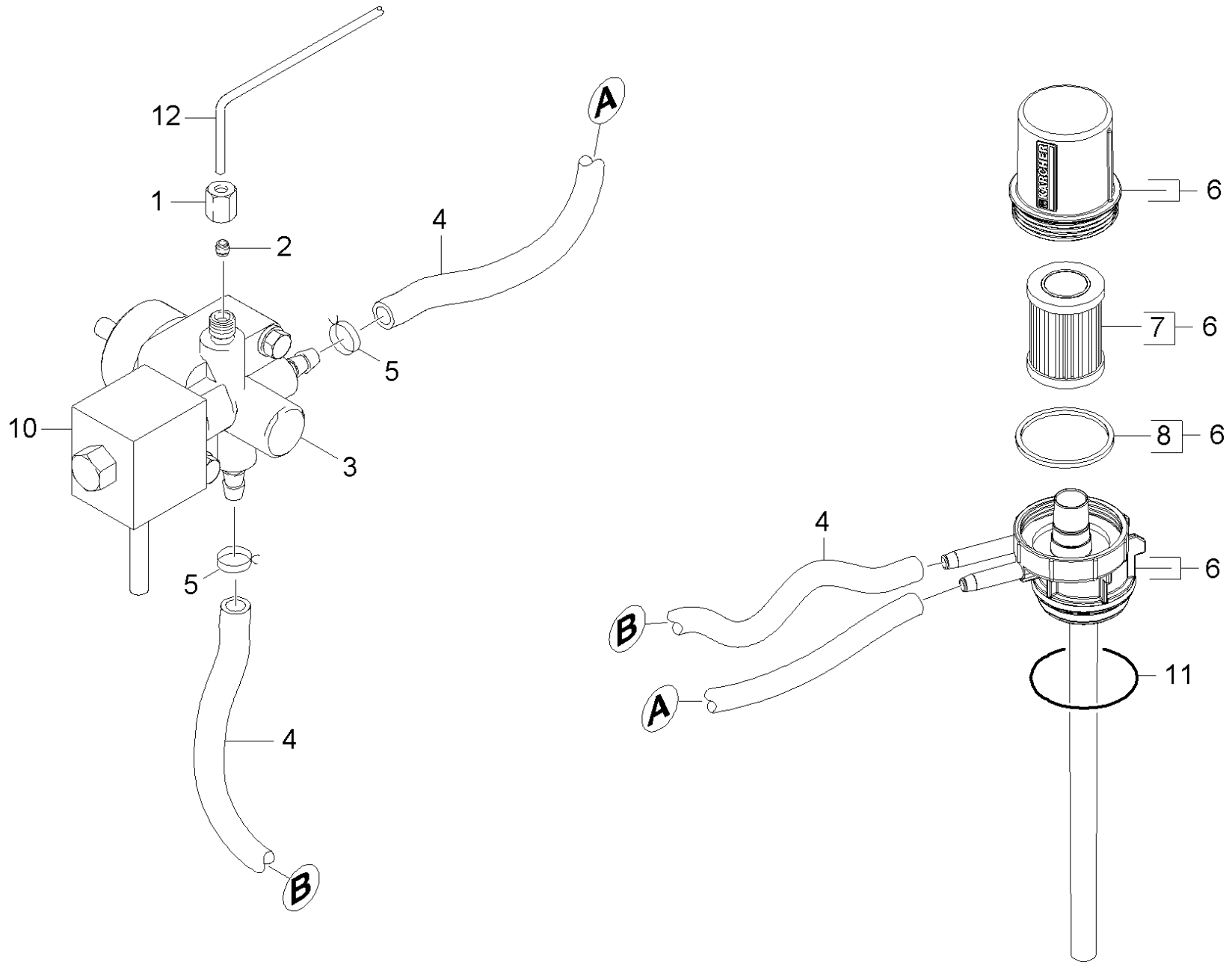
40 Blower

POS	Article no.	Description	Quantity	Unit
1	5.064-342.0	Cover blower	1.000	ST
2	5.600-096.0	Blower wheel	1.000	ST
3	7.303-048.0	Screw M6x20 -St-R3R (In6Rd)	4.000	ST
4	7.312-260.0	Washer 6 -100HV-A3E ISO 7094	4.000	ST
5	4.605-140.0	Housing blower complete	1.000	ST
6	5.379-019.0	Rubber ring	4.000	ST
7	5.606-009.0	Air flap	1.000	ST
8	7.312-278.0	Washer 5-200HV-A2E ISO7093-1	1.000	ST
9	7.303-107.0	Screw 5x16 -10.9-P2R (K-In6Rd)	1.000	ST
10	7.303-084.0	Screw 4x25 -10.9-R2R (K-In6Rd)	2.000	ST
11	5.471-097.0	Coupler fuel pump	1.000	ST
12	6.304-145.0	Screw M 6X20-R3R (IN6RD)	1.000	ST
13	7.312-276.0	Washer 6 -200HV-A2E ISO7093-1	1.000	ST
14	5.263-099.0	Clamp	1.000	ST
15	5.178-040.0	Collar air circulation	1.000	ST



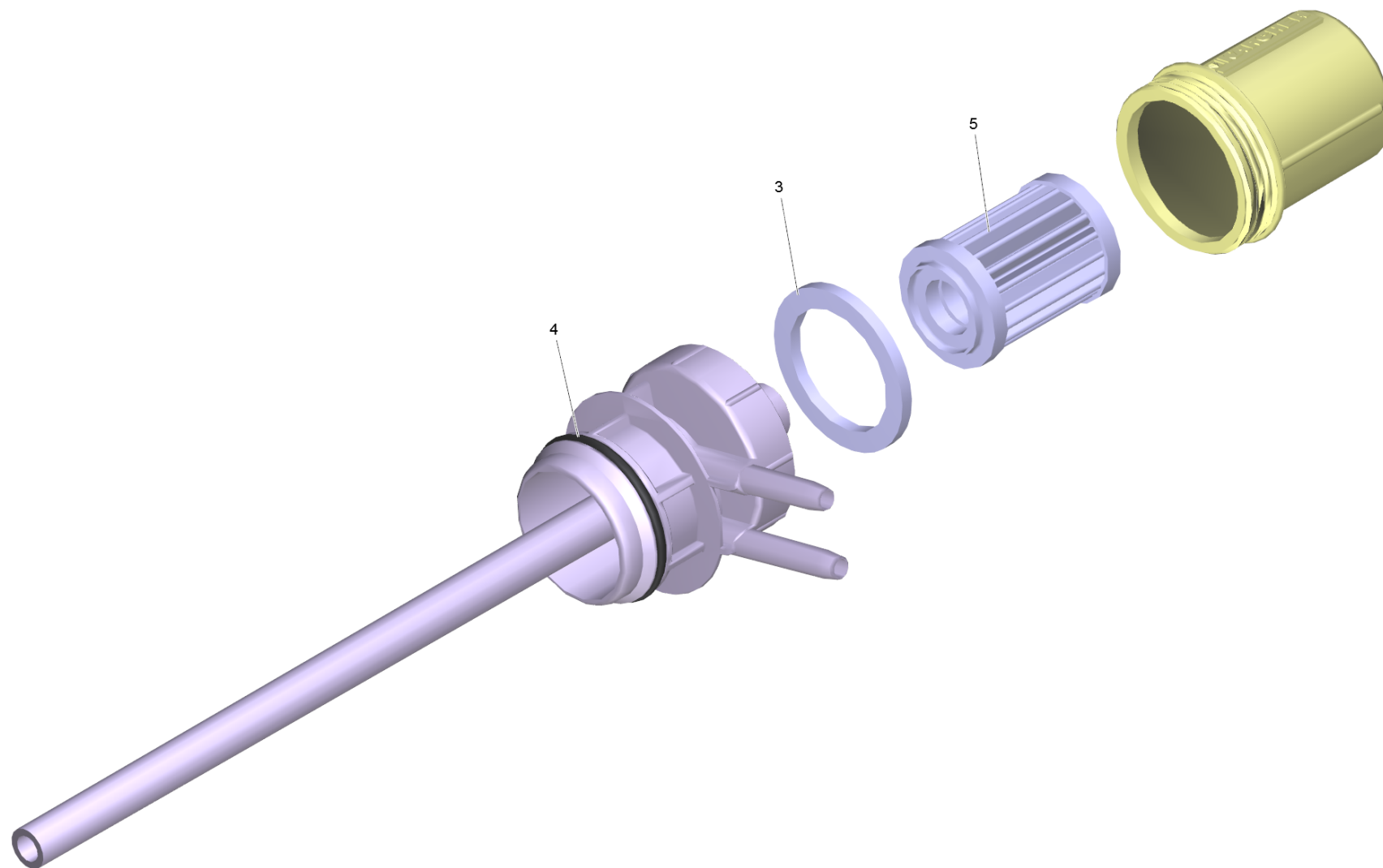
5 Housing blower complete (4.605-140.0)

POS	Article no.	Description	Quantity	Unit
2	5.379-019.0	Rubber ring	4.000	ST



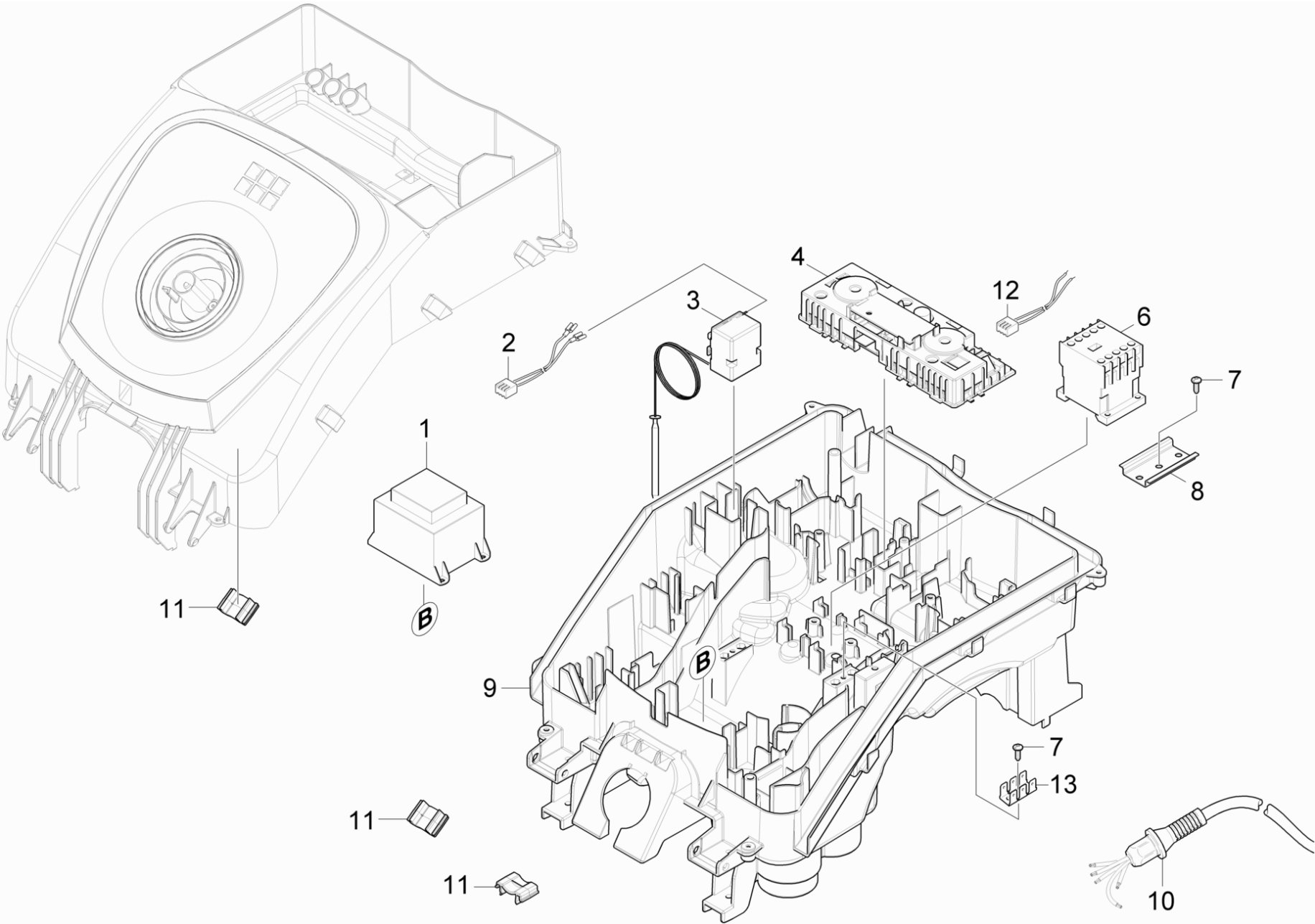
50 Fuel pump and filter

POS	Article no.	Description	Quantity	Unit	Foot note text
1	6.389-262.0	Union nut A 4-LL	1.000	ST	
2	6.389-263.0	Cutting ring d.4	1.000	ST	
3	6.473-565.0	Fuel pump only for replacement	1.000	ST	
4	6.391-820.0	Hose	1.000	M	TO ORDER AS CUT GOODS
5	6.388-559.0	Hose clip	2.000	ST	
6	4.730-163.0	Filter complete fuel	1.000	ST	
7	6.414-559.0	Filter fuel	1.000	ST	
8	5.363-629.0	Seal	1.000	ST	
10	6.473-567.0	Solenoid valve complete only for replace	1.000	ST	
11	6.363-579.0	O-Ring seal 35 x 2,5	1.000	ST	
12	5.423-400.0	Conduit fuel	1.000	ST	



6 Filter complete fuel (4.730-163.0)

POS	Article no.	Description	Quantity	Unit
3	5.363-629.0	Seal	1.000	ST
4	6.363-579.0	O-Ring seal 35 x 2,5	1.000	ST
5	6.414-559.0	Filter fuel	1.000	ST

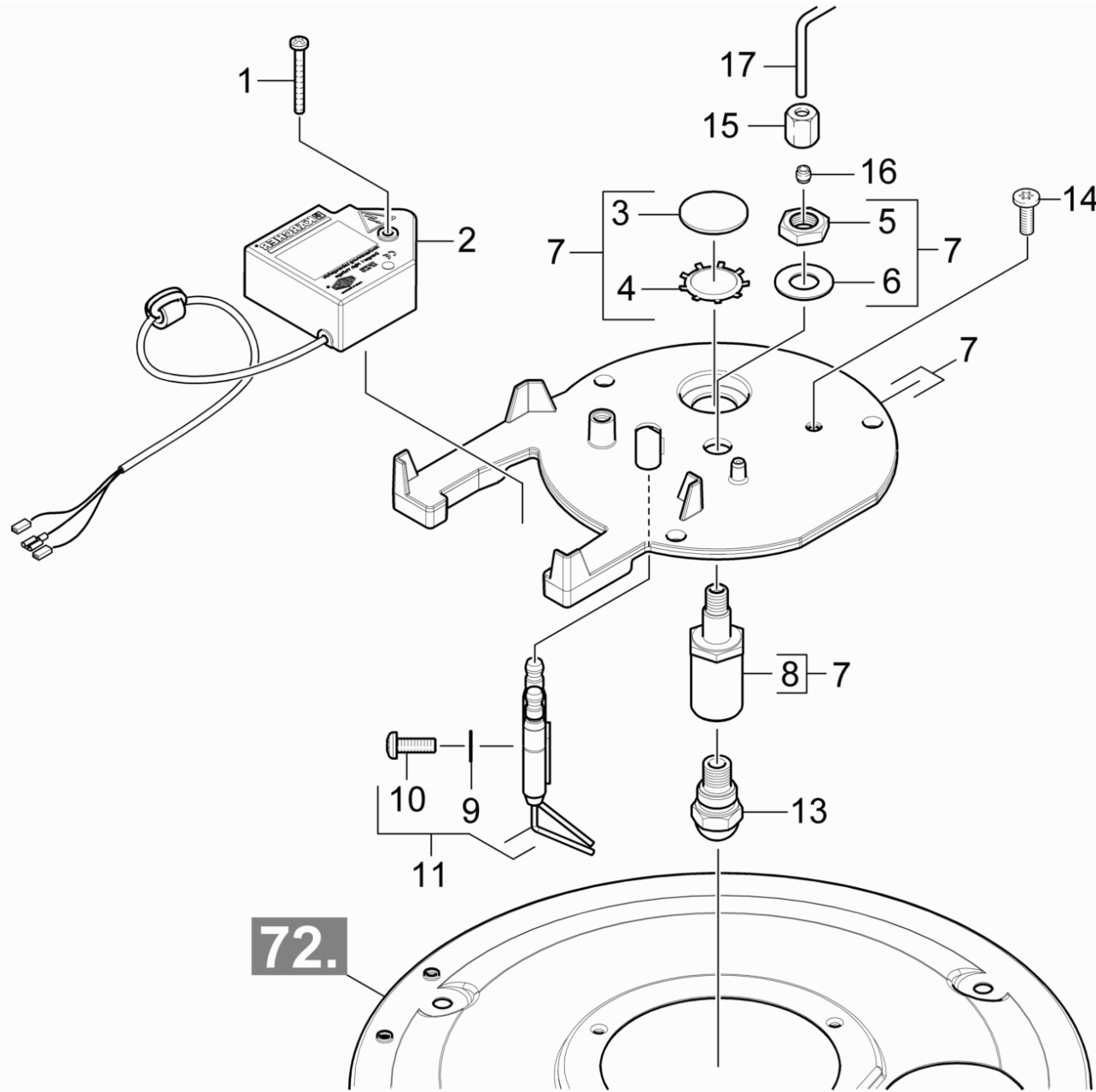


60 Electric control box

POS	Article no.	Description	Quantity	Unit
1	4.622-023.0	Control transformer complete only for re	1.000	ST
2	6.649-892.0	Cable 2x0,5 540mm	1.000	ST
3	4.686-029.0	Thermostat only for replacement	1.000	ST
4	4.051-148.3	Frame circuit board complete	1.000	ST
6	4.632-002.0	Contacteur -nur fuer Ersatz-	1.000	ST
7	7.303-106.0	Screw 4x12 -10.9-R2R (IN6RD)	2.000	ST
8	5.802-261.0	Mounting part	1.000	ST
9	5.801-142.0	Mounting plate	1.000	ST
10	4.649-060.0	Connection cable complete only for repla	1.000	ST
11	5.802-307.0	Holder cable	3.000	ST
12	6.649-891.0	Cable 2x0,5 360mm	1.000	ST
13	6.641-270.0	Plug	1.000	ST

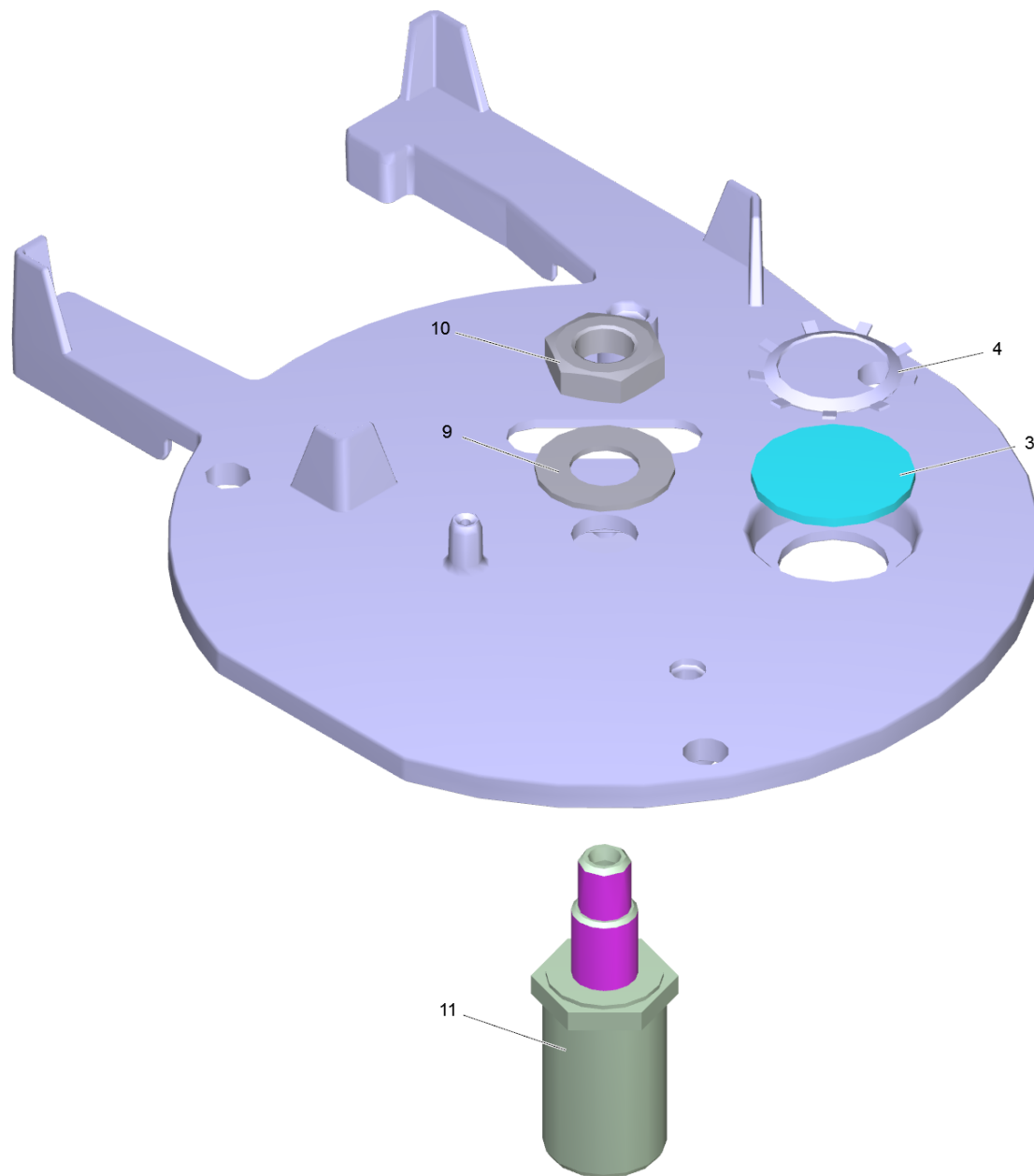
70 Flow heater

POS	Description	Quantity	Unit
71	Burner cover	1.000	ST
72	Outer covering and heating coil	1.000	ST



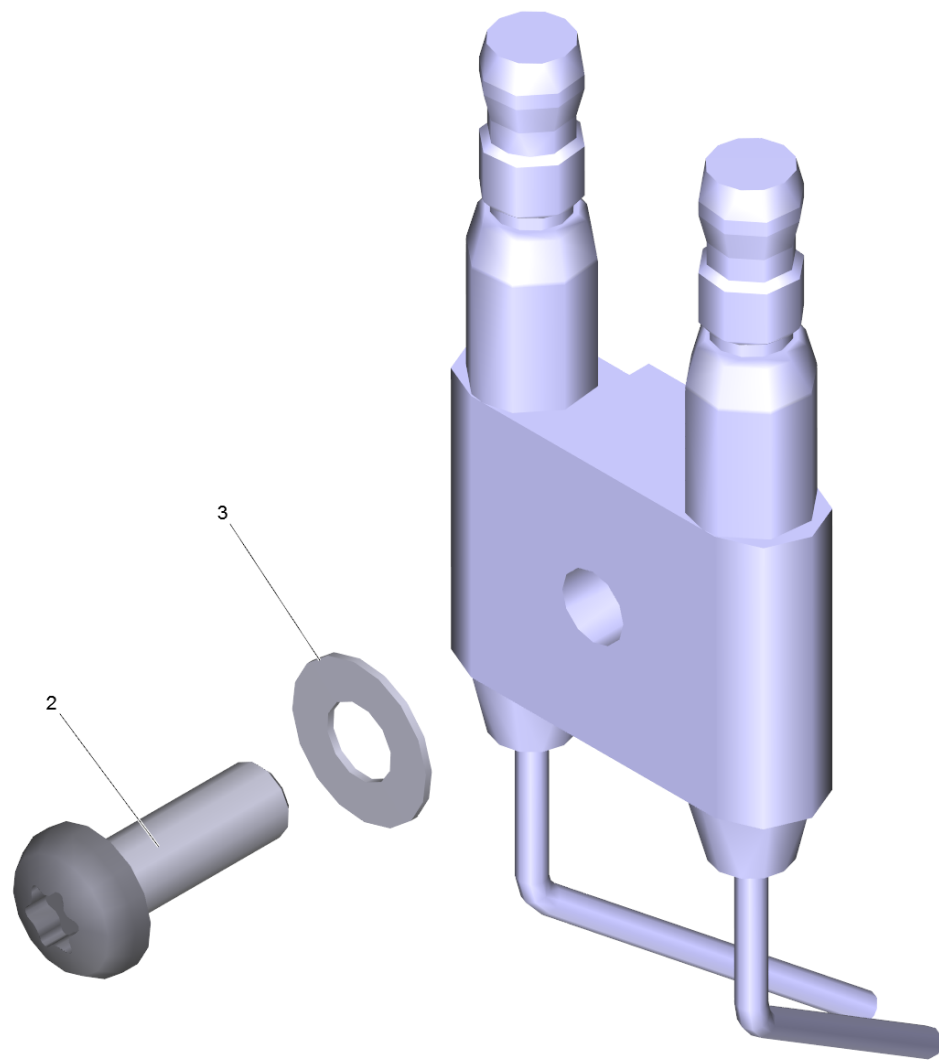
71 Burner cover

POS	Article no.	Description	Quantity	Unit
1	7.303-240.0	Screw M5x40-ST-A2E (IN6RD)	1.000	ST
2	4.622-025.0	Ignition transformer only for replacemen	1.000	ST
3	6.278-018.0	Glass pane	1.000	ST
4	6.343-165.0	Serrated ring	1.000	ST
5	7.311-101.0	Hexagon nut M10x1 -04-A2E ISO 8675	1.000	ST
6	7.312-302.0	Spring washer B10-FST-A2E DIN 137	1.000	ST
7	4.654-288.0	Cover pressure boiler only for replaceme	1.000	ST
8	5.667-055.0	Nozzle holder	1.000	ST
9	7.312-304.0	Spring washer B 5-FST-A2E DIN 137	1.000	ST
10	7.306-217.0	Screw M5x14 -8.8-R2R (In6Rd)	1.000	ST
11	2.638-974.0	Conversion kit ignition electrode	1.000	ST
13	6.415-761.0	Nozzle 1,25 GPH 45 G B	1.000	ST
14	7.303-038.0	Screw M5x12 -St-P2R (In6Rd)	3.000	ST
15	6.389-262.0	Union nut A 4-LL	1.000	ST
16	6.389-263.0	Cutting ring d.4	1.000	ST
17	5.423-400.0	Conduit fuel	1.000	ST



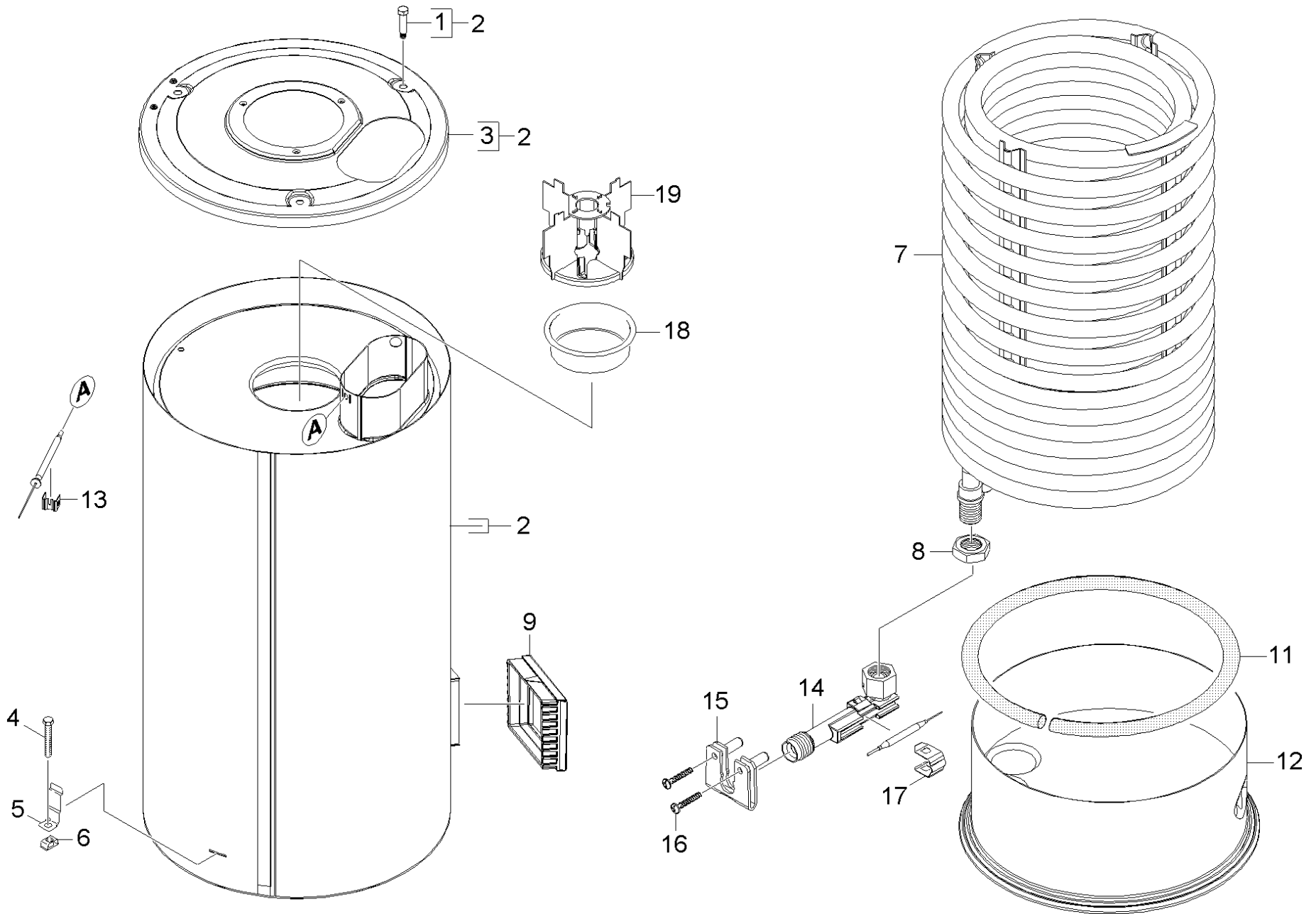
7 Cover pressure boiler only for replaceme (4.654-288.0)

POS	Article no.	Description	Quantity	Unit
3	6.278-018.0	Glass pane	1.000	ST
4	6.343-165.0	Serrated ring	1.000	ST
9	7.312-302.0	Spring washer B10-FST-A2E DIN 137	1.000	ST
10	7.311-101.0	Hexagon nut M10x1 -04-A2E ISO 8675	1.000	ST
11	5.667-055.0	Nozzle holder	1.000	ST



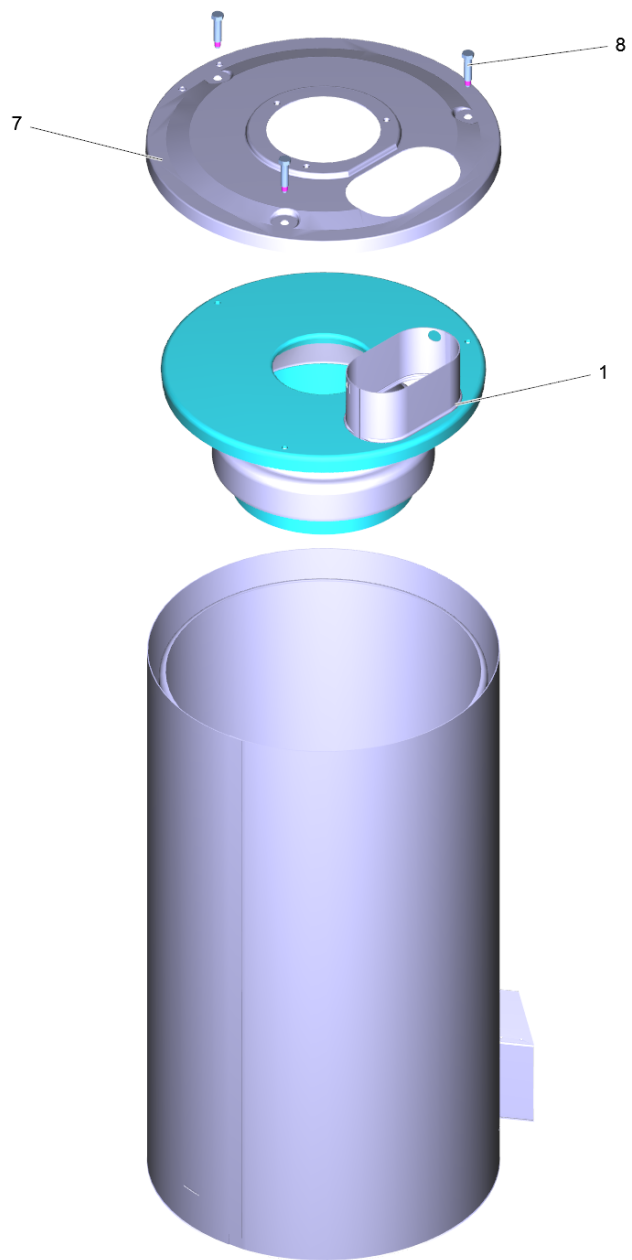
11 Conversion kit ignition electrode (2.638-974.0)

POS	Article no.	Description	Quantity	Unit
2	7.306-217.0	Screw M5x14 -8.8-R2R (In6Rd)	1.000	ST
3	7.312-304.0	Spring washer B 5-FST-A2E DIN 137	1.000	ST



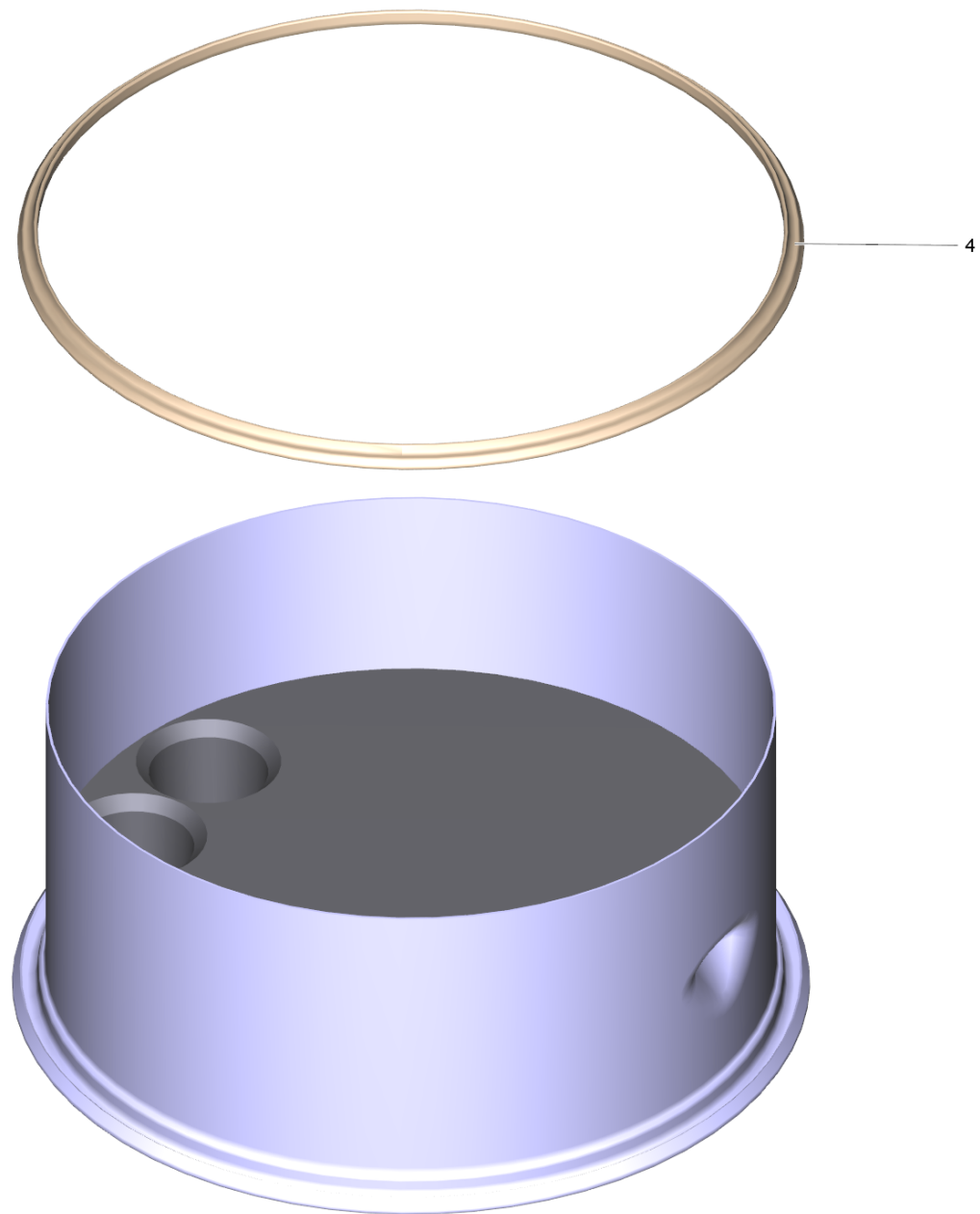
72 Outer covering and heating coil

POS	Article no.	Description	Quantity	Unit	Foot note text
1	6.303-258.0	Self-tapping screw	3.000	ST	
2	4.652-147.0	Outer covering complete	1.000	ST	
3	5.654-051.0	Cover pressure boiler	1.000	ST	
4	7.304-051.0	Hexagonal head screw M 8x16-8.8-P2R EN	3.000	ST	
5	5.044-420.0	Holder	3.000	ST	
6	6.310-081.0	Cage nut M 8	3.000	ST	
7	4.680-140.0	Heating coil	1.000	ST	
7	4.680-114.0	Heating coil VA	1.000	ST	STAINLESS STEEL CONSTRUCTION
8	7.311-155.0	Hexagon nut M22x1,5 -Cu2 DIN 936	2.000	ST	
9	5.195-319.0	Seal air circulation	1.000	ST	
11	6.366-009.0	Seal string	1.000	ST	
12	4.655-044.0	Bottom pressure boiler	1.000	ST	
13	5.034-834.0	Holder probe	1.000	ST	
14	4.422-964.0	Manifold complete high-pressure outlet	1.000	ST	
15	5.043-076.0	Holder high-pressure outlet	1.000	ST	
16	7.303-086.0	Screw 5x30 -10.9-R2R (K-In6Rd)	2.000	ST	
17	5.263-064.0	Tensioning part	1.000	ST	
18	5.664-182.0	Flame tube	1.000	ST	
19	4.663-073.0	Baffle plate complete	1.000	ST	



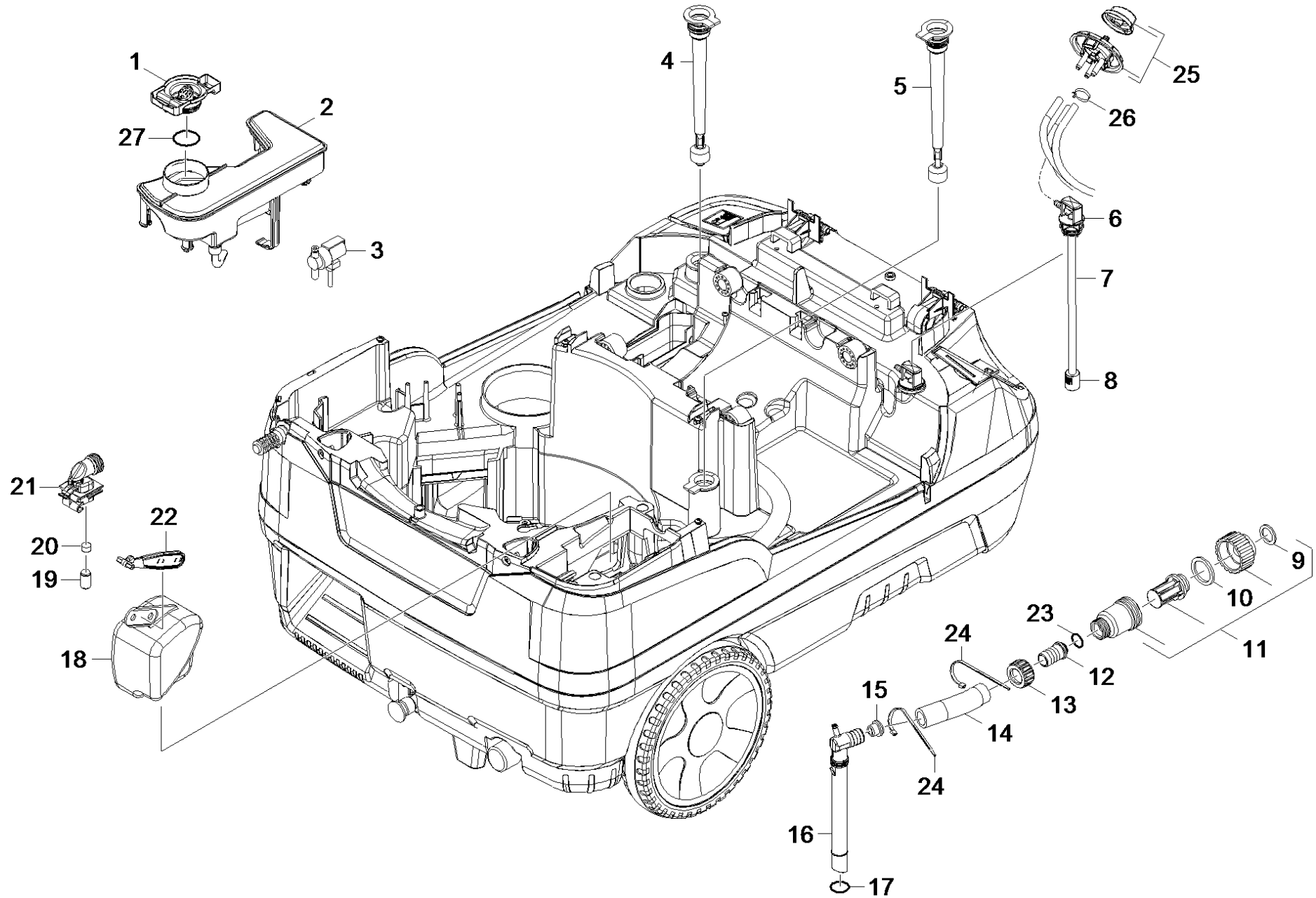
2 Outer covering complete (4.652-147.0)

POS	Article no.	Description	Quantity	Unit
1	4.663-130.0	Burner cage	1.000	ST
7	5.654-051.0	Cover pressure boiler	1.000	ST
8	6.303-258.0	Self-tapping screw	3.000	ST



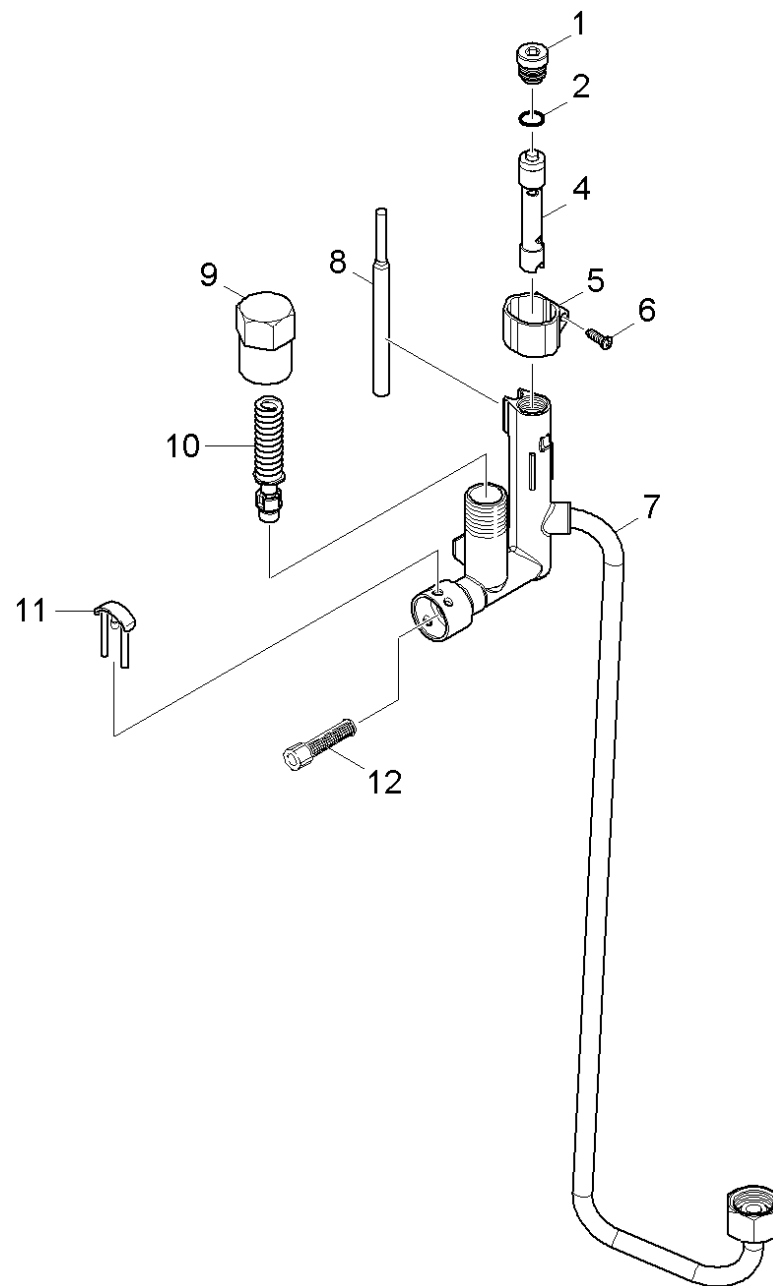
12 Bottom pressure boiler (4.655-044.0)

POS	Article no.	Description	Quantity	Unit
4	6.366-009.0	Seal string	1.000	ST
6	6.869-024.0	Quick-bonding agent	0.004	ZST



80 Float valve

POS	Article no.	Description	Quantity	Unit	Foot note text
1	5.425-495.0	CONNECTION PIECE DGT	1.000	ST	
2	4.070-732.0	Tank complete	1.000	ST	
3	4.686-022.0	Solenoid valve DGT only for replacement	1.000	ST	
4	4.747-110.0	Level probe fuel only for replacement	1.000	ST	
5	4.747-111.0	Level probe cleaning agents only for rep	1.000	ST	
6	5.132-195.0	Plug aspiration chemistry	1.000	ST	
7	6.391-341.0	Hose chemistry DN 6	1.000	M	TO ORDER AS CUT GOODS
8	5.731-652.0	Filter with weight	1.000	ST	
9	5.363-545.0	Seal	1.000	ST	
10	5.363-336.0	Seal	1.000	ST	
11	4.730-141.0	Filter complete	1.000	ST	
12	5.443-312.0	Hose stem	1.000	ST	
13	5.310-167.0	Nut G 3/4"	1.000	ST	
14	6.391-612.0	Piece of tube only for replacement	1.000	ST	TO ORDER AS CUT GOODS
15	5.112-411.0	Bush	1.000	ST	
16	5.443-553.0	Connection piece	1.000	ST	
17	6.362-161.0	O-Ring seal 19,3 X 2,4	1.000	ST	
18	5.585-055.0	Float	1.000	ST	
19	5.584-085.0	Valve pin	1.000	ST	
20	5.364-095.0	Flat gasket	1.000	ST	
21	5.587-214.0	Valve housing	1.000	ST	
22	5.481-256.0	Lever	1.000	ST	
23	6.362-078.0	O-Ring seal 13,3x2,4	1.000	ST	
24	6.641-474.0	Cable tape 8-210	2.000	ST	
25	4.063-873.0	Proportioning valve chemistry	1.000	ST	
26	6.388-559.0	Hose clip	3.000	ST	
27	6.362-377.0	O-Ring seal 38,0 X 2,0-NBR 70	1.000	ST	

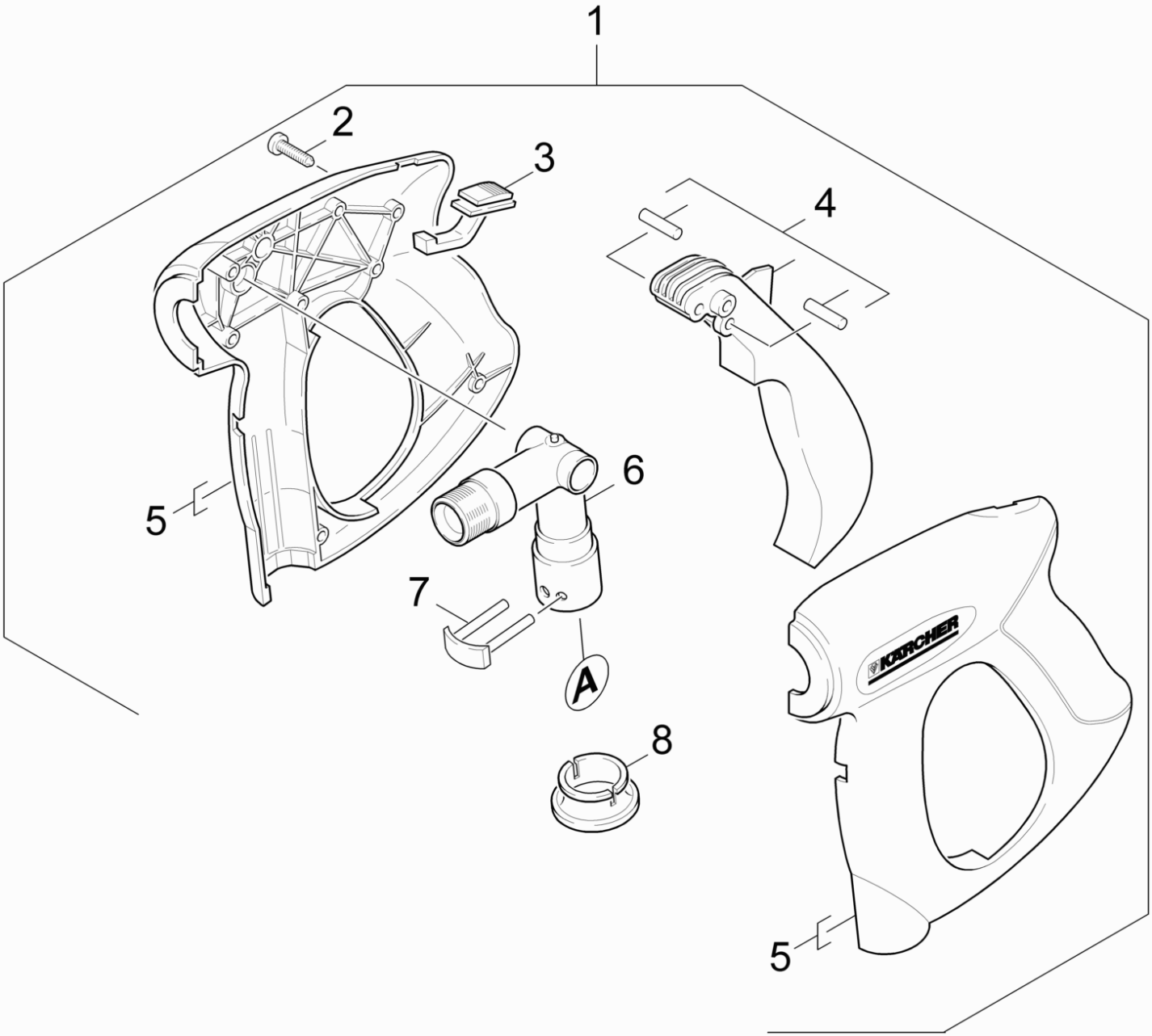


90 Safety system

POS	Article no.	Description	Quantity	Unit
1	5.305-162.0	Shaped screw	1.000	ST
2	6.362-482.0	O-Ring seal 10 x 1,5-NBR 70	1.000	ST
4	4.551-058.0	Cartridge protection against water short	1.000	ST
5	5.041-076.0	Clamp	1.000	ST
6	6.303-122.0	M4 .2X13 DIN 7981 TORX T15 PAN HD HI/LO	1.000	ST
7	4.427-354.0	Manifold complete	1.000	ST
8	2.885-051.0	Reed switch replacement	1.000	ST
9	5.304-116.0	Adjusting screw	1.000	ST
10	4.580-782.0	Safety valve only for replacement	1.000	ST
11	4.037-013.0	Hook	1.000	ST
12	6.414-566.0	Strainer WMS	1.000	ST

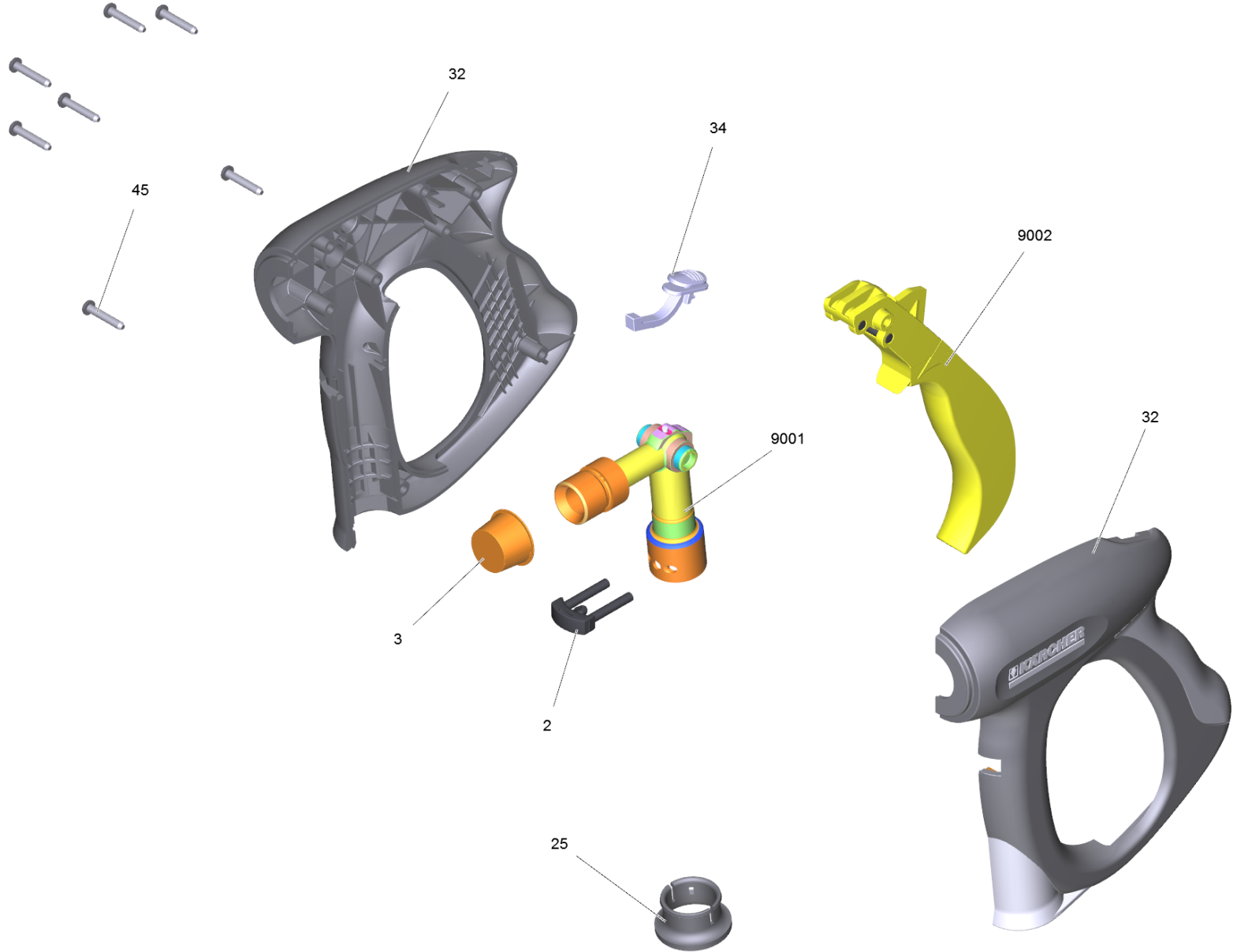
100 Accessories

POS	Description	Quantity	Unit
101	Hand trigger gun	1.000	ST
102	Rotary controller	1.000	ST
103	High pressure hose	1.000	ST
104	Jet pipe	1.000	ST
105	Power nozzle	1.000	ST



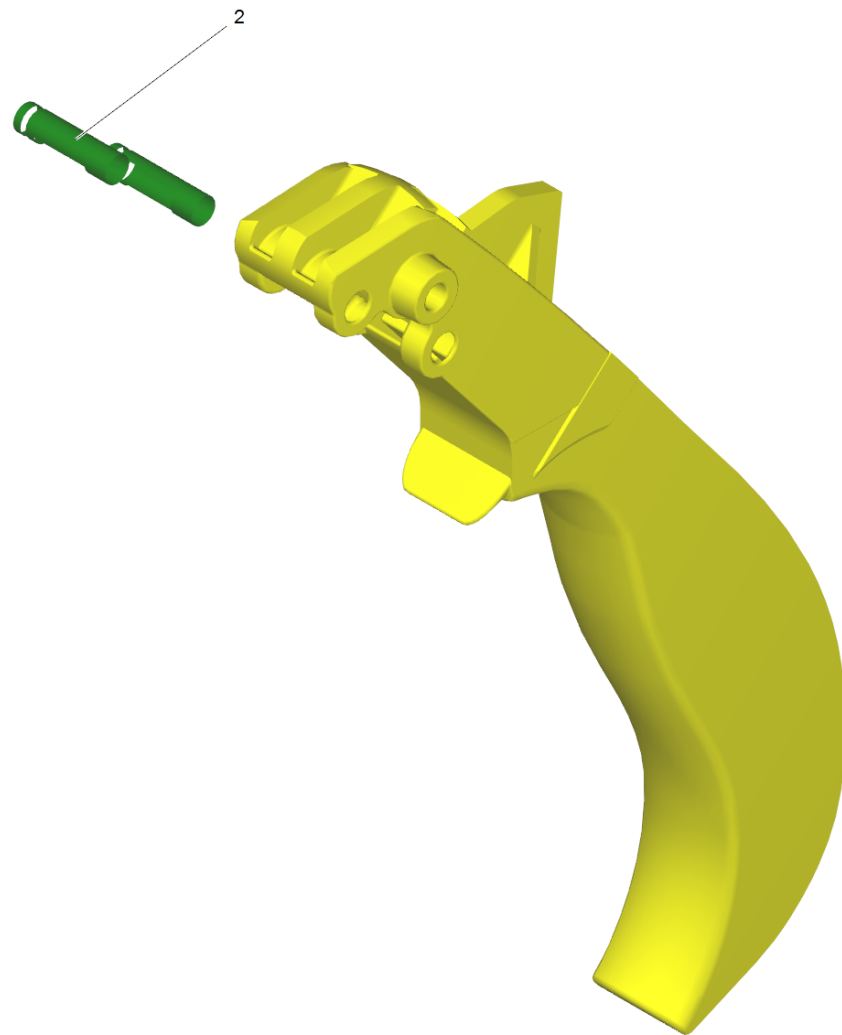
101 Hand trigger gun

POS	Article no.	Description	Quantity	Unit
1	4.775-463.0	HAND TRIGGER GUN EASY PRESS	1.000	ST
2	7.303-096.0	Screw 4x22 -ST-10.9-R2R (IN6RD)	7.000	ST
3	5.481-331.0	Slider	1.000	ST
4	4.481-209.0	Lever complete	1.000	ST
5	5.321-669.3	Handhold few	1.000	ST
6	4.427-215.0	Manifold complete only for replacement	1.000	ST
7	4.037-013.0	Hook	1.000	ST
8	5.110-596.0	Sleeve	1.000	ST



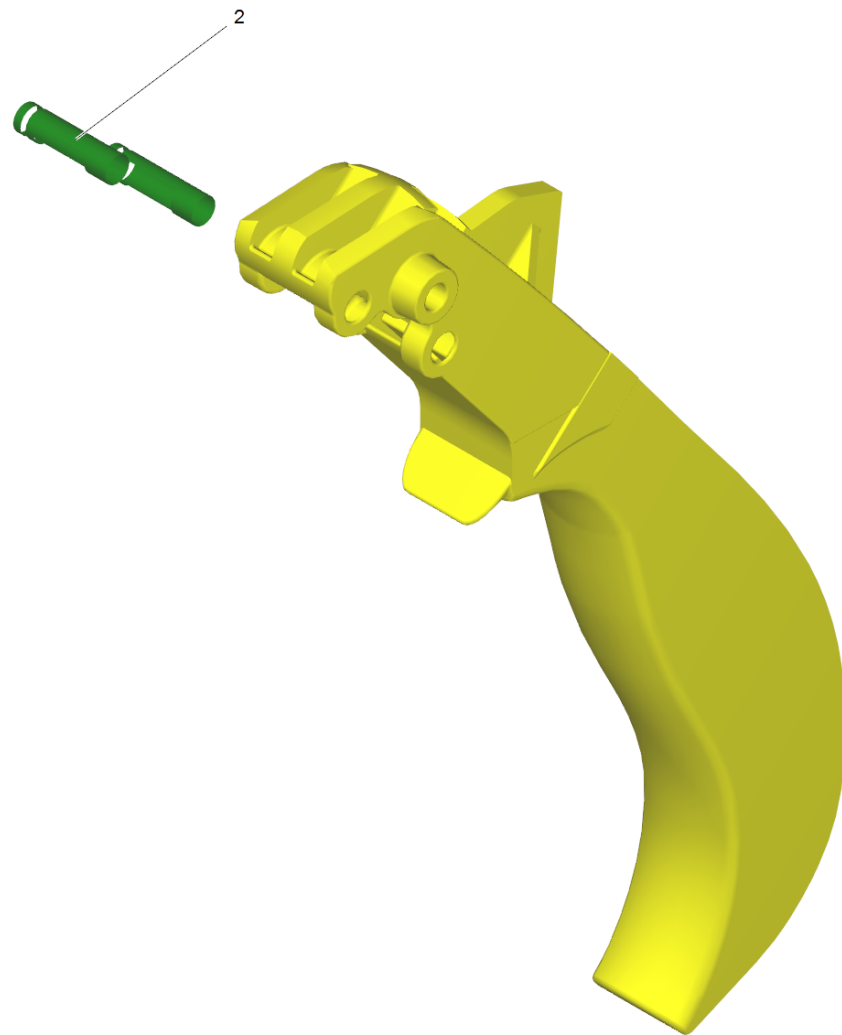
1 HAND TRIGGER GUN EASY PRESS (4.775-463.0)

POS	Article no.	Description	Quantity	Unit
2	4.037-013.0	Hook	1.000	ST
3	6.368-012.0	Protecting cap 22X1,5	1.000	ST
4	6.869-075.0	Metal bonding agent 1,5 ml	1.000	ST
25	5.110-596.0	Sleeve	1.000	ST
32	5.321-669.3	Handhold few	1.000	ST
34	5.481-331.0	Slider	1.000	ST
45	7.303-096.0	Screw 4x22 -ST-10.9-R2R (IN6RD)	7.000	ST
1041	6.288-044.0	Silicon grease 100 G	1.000	ST
9001	4.427-215.0	Manifold complete only for replacement	1.000	ST
9002	4.481-209.0	Lever complete	1.000	ST



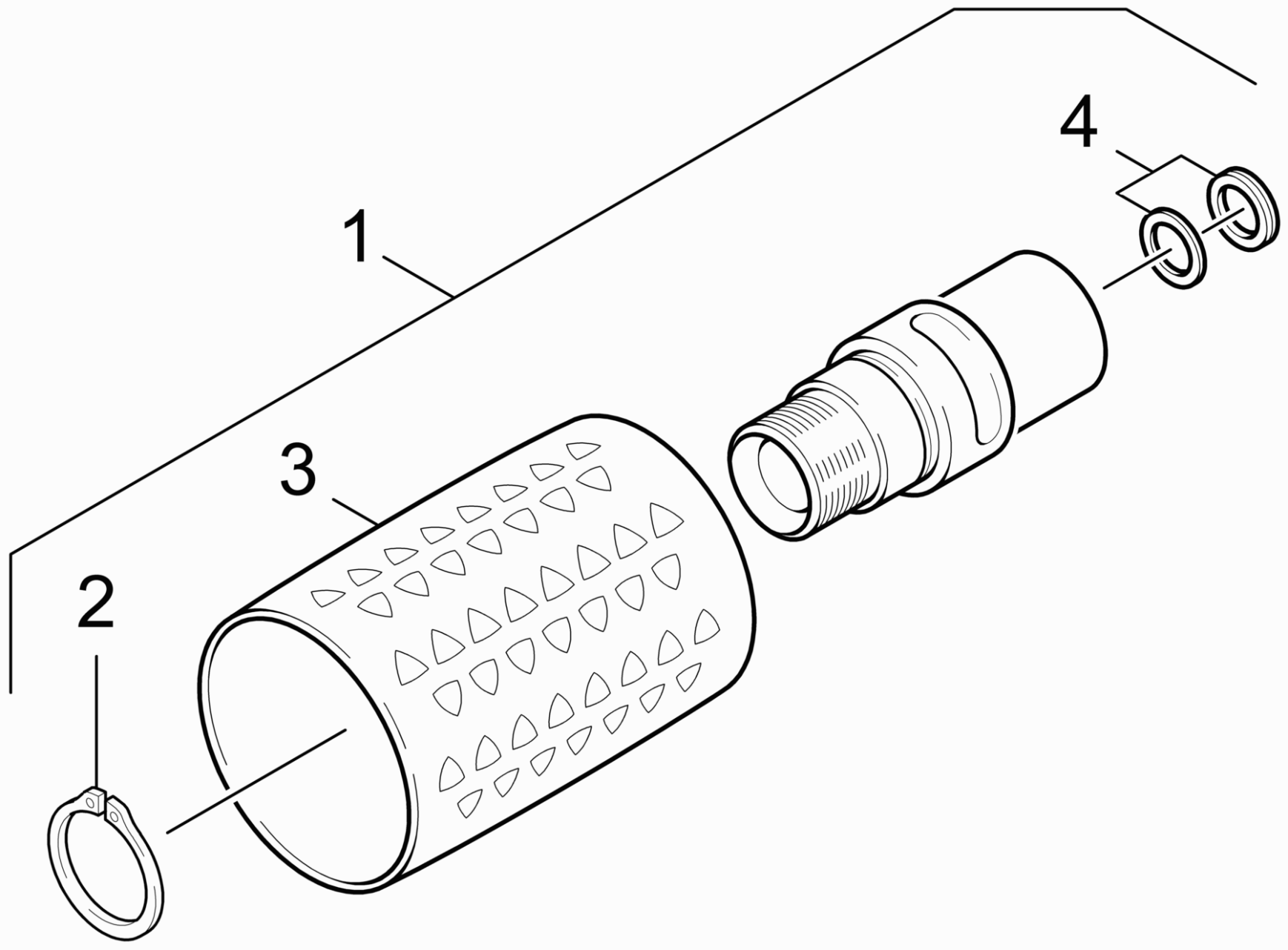
9002 Lever complete (4.481-209.0)

POS	Article no.	Description	Quantity	Unit
2	5.314-119.0	Pin	2.000	ST



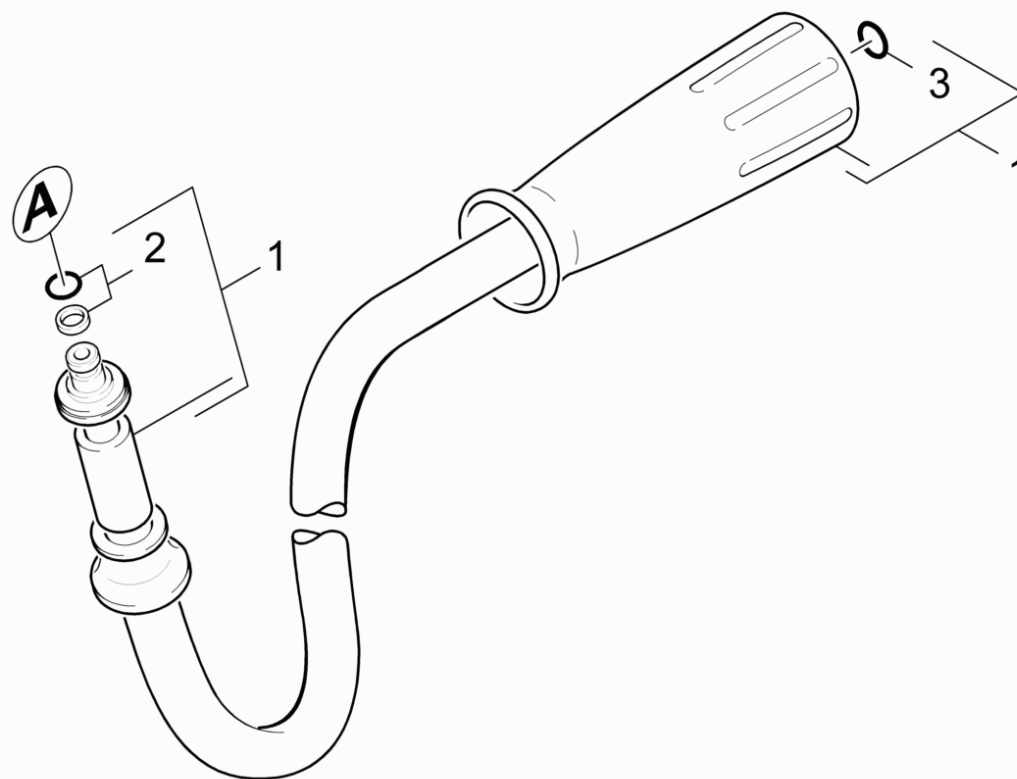
4 Lever complete (4.481-209.0)

POS	Article no.	Description	Quantity	Unit
2	5.314-119.0	Pin	2.000	ST



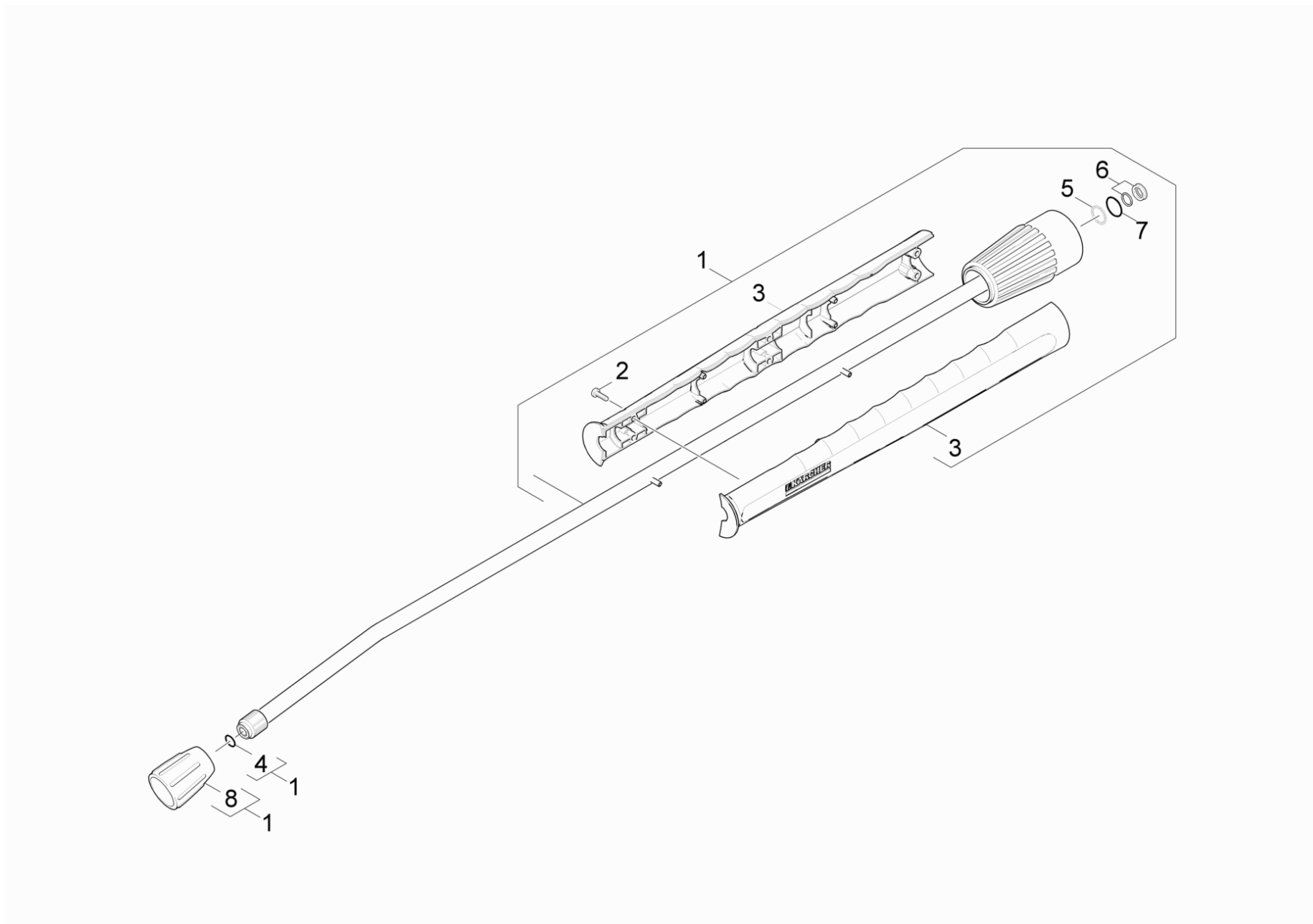
102 Rotary controller

POS	Article no.	Description	Quantity	Unit
1	4.775-526.0	Rotary controller 270 I	1.000	ST
2	7.343-069.0	Locking ring 25x1,2-1.4122 DIN 471	1.000	ST
3	5.321-668.0	Handle	1.000	ST
4	6.362-064.0	Quad joint ring 9.19x2.62	1.000	ST



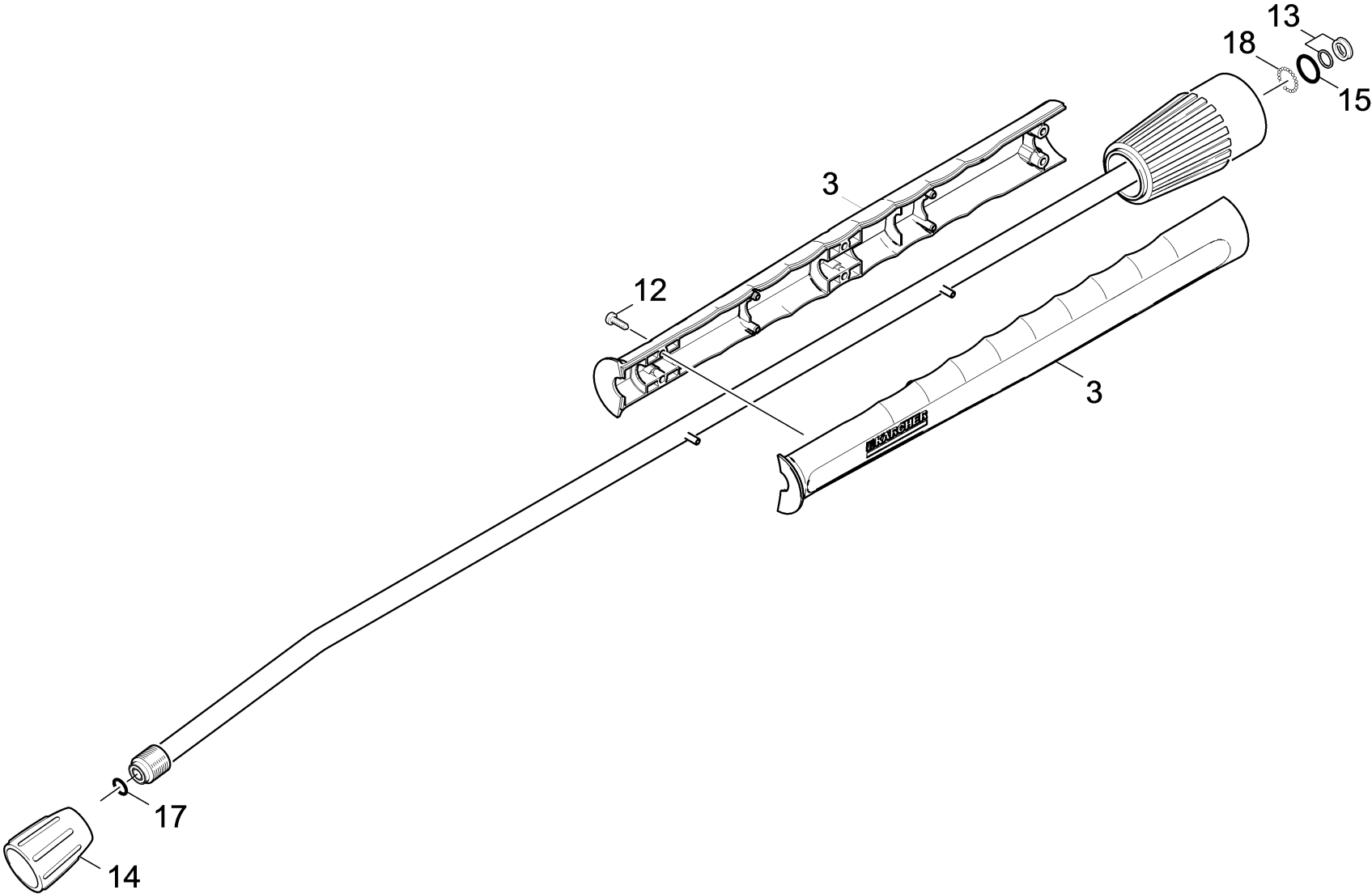
103 High pressure hose

POS	Article no.	Description	Quantity	Unit
1	6.390-025.0	Hose assembly DN8 max.31,5MPa 10m	1.000	ST
2	4.363-691.0	O-Ring seal kpl. -nur fuer Ersatz-	1.000	ST
3	2.880-990.0	Spare part set O-Ring 5x -Kaercher	1.000	ST



104 Jet pipe

POS	Article no.	Description	Quantity	Unit
1	4.760-660.0	Jet pipe packaged only for replacement	1.000	ST
2	7.303-129.0	Screw 4x16 -10.9-R2R (K-In6Rd)	6.000	ST
3	5.321-855.0	Handhold few jet pipe with welding bolt	1.000	ST
4	2.880-990.0	Spare part set O-Ring 5x -Kaercher	1.000	ST
5	7.401-915.0	Sphere 2,5 G40 -1.4034 DIN 5401	20.000	ST
6	4.363-692.0	Grooved ring kpl. -nur fuer Ersatz-	1.000	ST
7	6.362-524.0	O-Ring seal 17,0 X 1,5	1.000	ST
8	5.401-210.0	Screw connector part	1.000	ST



1 Jet pipe packaged only for replacement (4.760-660.0)

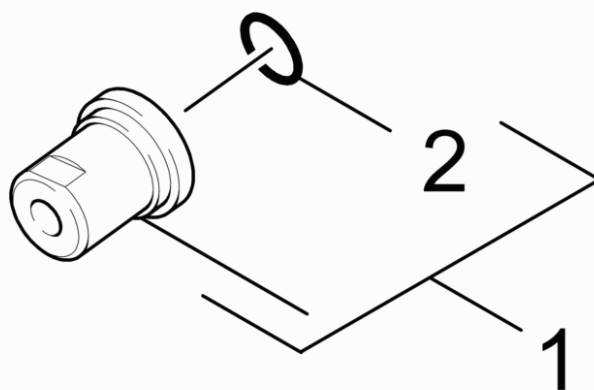
POS	Article no.	Description	Quantity	Unit
3	5.321-855.0	Handhold few jet pipe with welding bolt	1.000	ST
12	7.303-129.0	Screw 4x16 -10.9-R2R (K-In6Rd)	6.000	ST
13	4.363-692.0	Grooved ring kpl. -nur fuer Ersatz-	1.000	ST
14	5.401-210.0	Screw connector part	1.000	ST
15	6.362-524.0	O-Ring seal 17,0 X 1,5	1.000	ST
17	2.880-990.0	Spare part set O-Ring 5x -Kaercher	1.000	ST
18	7.401-915.0	Sphere 2,5 G40 -1.4034 DIN 5401	1.000	ST

14 Screw connector part (5.401-210.0)

POS	Description	Quantity	Unit
10	SCREW CONNECTOR PART	1.000	ST

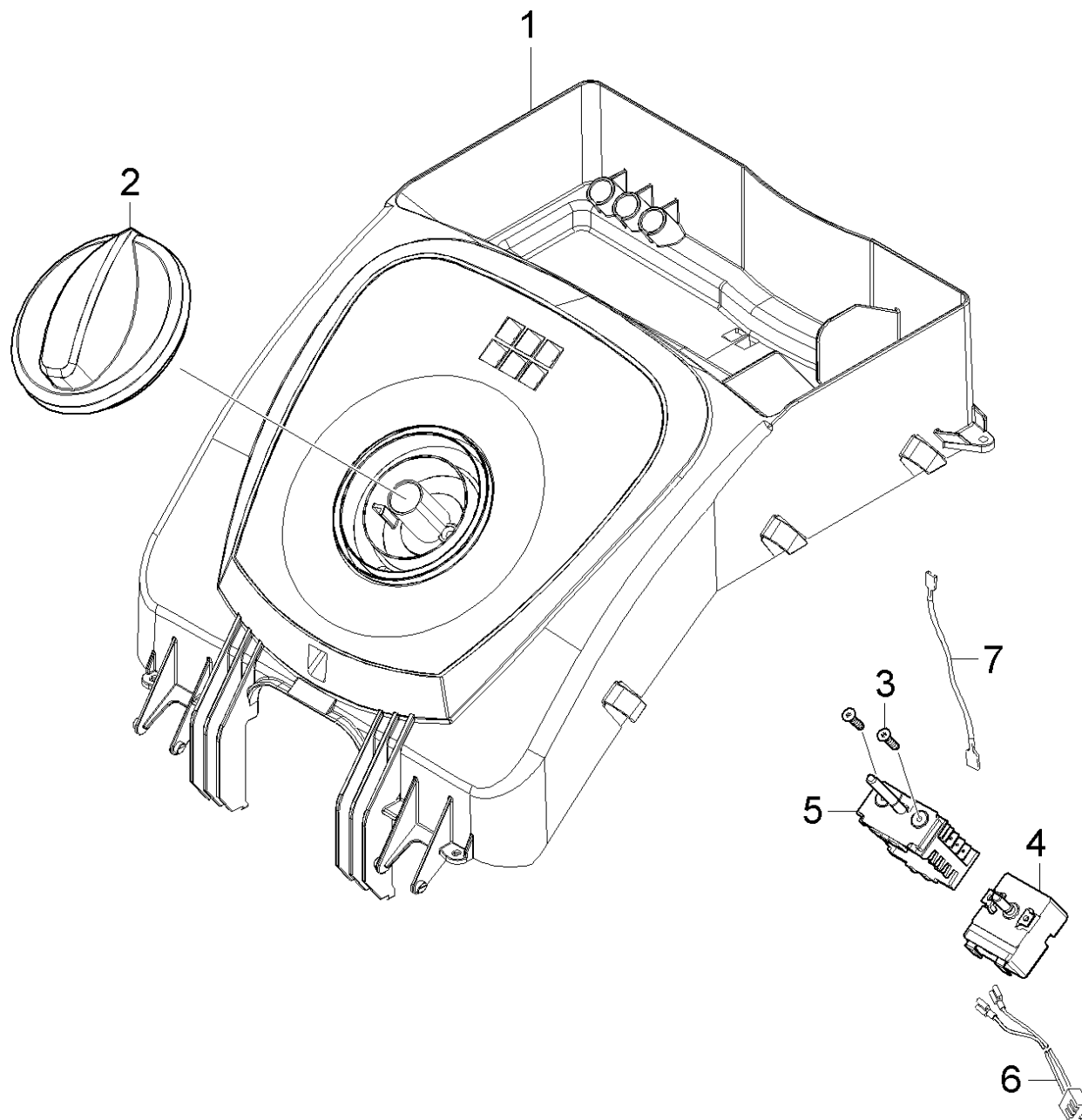
8 Screw connector part (5.401-210.0)

POS	Description	Quantity	Unit
10	SCREW CONNECTOR PART	1.000	ST



105 Power nozzle

POS	Article no.	Description	Quantity	Unit
1	2.883-829.0	Power nozzle 25043	1.000	ST
1	2.885-039.0	Steam nozzle 40050	1.000	ST
2	2.880-990.0	Spare part set O-Ring 5x -Kaercher	1.000	ST



110 Control panel

POS	Article no.	Description	Quantity	Unit
1	4.841-274.0	Control panel complete only for replacem	1.000	ST
2	5.324-136.0	Handle	1.000	ST
3	7.305-019.0	Countersunk screw M4x16 -8.8-R2R (In6Rd	2.000	ST
4	4.686-021.0	Thermostat complete only for replacement	1.000	ST
5	4.630-002.0	Switch program selection only for replac	1.000	ST
6	6.649-893.0	Cable 2x0,35 850mm	1.000	ST
7	4.821-117.0	Cable 0,75x160 - red	1.000	ST