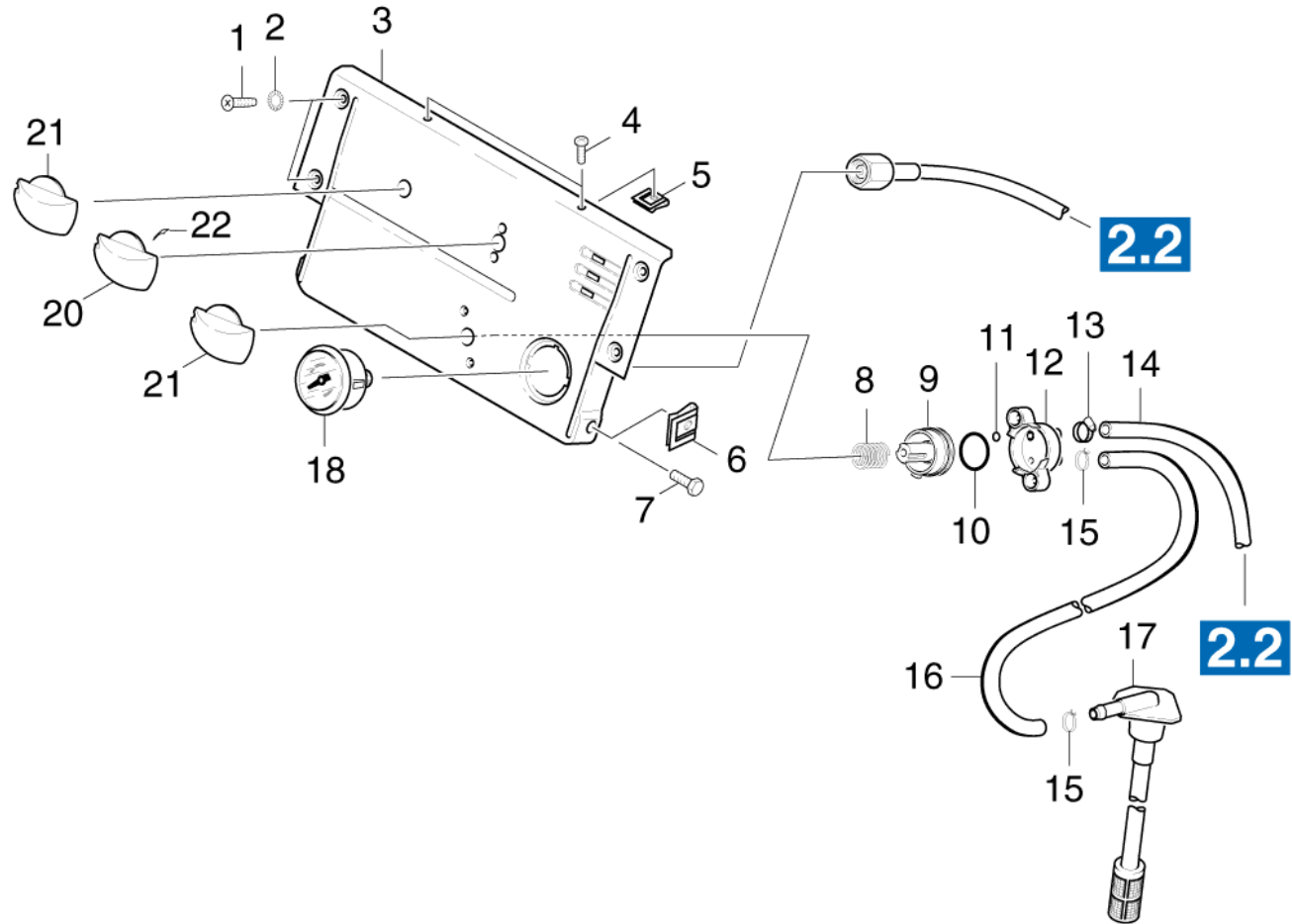


110 Control panel

Overview technical documents/Professional/High pressure cleaner hotwater/Electric motor/HDS 695 MX ECO*EU-I (1.025-316.0)/Spare parts list HDS 695 M ECO/110 Control panel



110 Control panel

Overview technical documents/Professional/High pressure cleaner hotwater/Electric motor/HDS 695 MX ECO*EU-I (1.025-316.0)/Spare parts list HDS 695 M ECO/110 Control panel

Rez.daļas/nodil.pakļ.daļas	Poz.	Materiāla Nr.	Nosaukums	Daudzums	Pārdoš. vienība	no sēr. Nr..	līdz sēr. Nr.
	1	7.303-038.0	Screw M6x20 -St-R3R (In6Rd)	4.000	ST	0000000000	0000000000
	2	7.312-172.0	Toothed lock washer A5,3-FSt-A3E DIN 67	4.000	ST	0000000000	0000000000
	3	5.841-487.0	Control panel HDS 650-4M	1.000	ST	0000000000	0000000000
Pozīcijas teksts: /1.025-351.0							
	3	5.841-471.0	Control panel	1.000	ST	0000000000	0000000000
Pozīcijas teksts: / 1.025-320.0 / -324.0							
	3	5.841-468.0	Control panel	1.000	ST	0000000000	0000000000
Pozīcijas teksts: / 1.025-318.0 / -319.0							
	3	5.841-463.0	Vadības panelis	1.000	ST	0000000000	0000000000
Pozīcijas teksts: / 1.025-311.0 / -312.0 / -315.0 / -316.0/ -317.0 / -325.0							
	3	5.841-542.0	Control panel neutrally	1.000	ST		
Pozīcijas teksts: 1.025-352.0							
	4	7.303-078.0	Sheet metal screw ST4,8X19-ST-A2R (KOMBI	2.000	ST	0000000000	0000000000
	5	6.310-034.0	Speed nut	2.000	ST	0000000000	0000000000
	6	6.310-082.0	Putting nut M6	2.000	ST	0000000000	0000000000
	7	7.304-382.0	Hexagonal head screw M 6x12-8.8-A2E ISO	2.000	ST	0000000000	0000000000
	8	5.332-474.0	Spirālveida atspere	1.000	ST	0000000000	0000000000
	9	5.581-251.0	Valve seat	1.000	ST	0000000000	0000000000
	10	6.362-712.0	Gredzenblīve 25,3 X 2,4	1.000	ST	0000000000	0000000000
	11	6.362-386.0	Gredzenblīve 5,0 x 1,5-NBR 80	1.000	ST	0000000000	0000000000
	12	5.587-054.0	Vārsta korpuss	1.000	ST	0000000000	0000000000
	13	6.388-515.0	Hose clip	1.000	ST	0000000000	0000000000
	14	6.388-194.0	Šļūtene DN 7	1.000	M	0000000000	0000000000
	15	6.388-559.0	Hose clip	2.000	ST	0000000000	0000000000
	16	6.388-225.0	Šļūtene DN 7	1.000	M	0000000000	0000000000

110 Control panel

Overview technical documents/Professional/High pressure cleaner hotwater/Electric motor/HDS 695 MX ECO*EU-I (1.025-316.0)/Spare parts list HDS 695 M ECO/110 Control panel

Rez.daļas/nodil.pakļ.daļas	Poz.	Materiāla Nr.	Nosaukums	Daudzums	Pārdoš. vienība	no sēr. Nr..	līdz sēr. Nr.
X	17	6.414-028.0	Filtrs	1.000	ST	0000000000	0000000000
X-X	18	6.421-170.0	Manometrs 0-315 bāri	1.000	ST	0000000000	0000000000
Pozīcijas teksts: / 1.025-311.0 / -312.0 / -315.0 / -316.0/ -317.0 / -325.0							
	20	5.321-641.0	Termostata tureklis	1.000	ST	0000000000	0000000000
	21	5.321-633.0	handhold	2.000	ST	0000000000	0000000000
X-X	22	6.313-014.0	Spailes atspere	1.000	ST	0000000000	0000000000