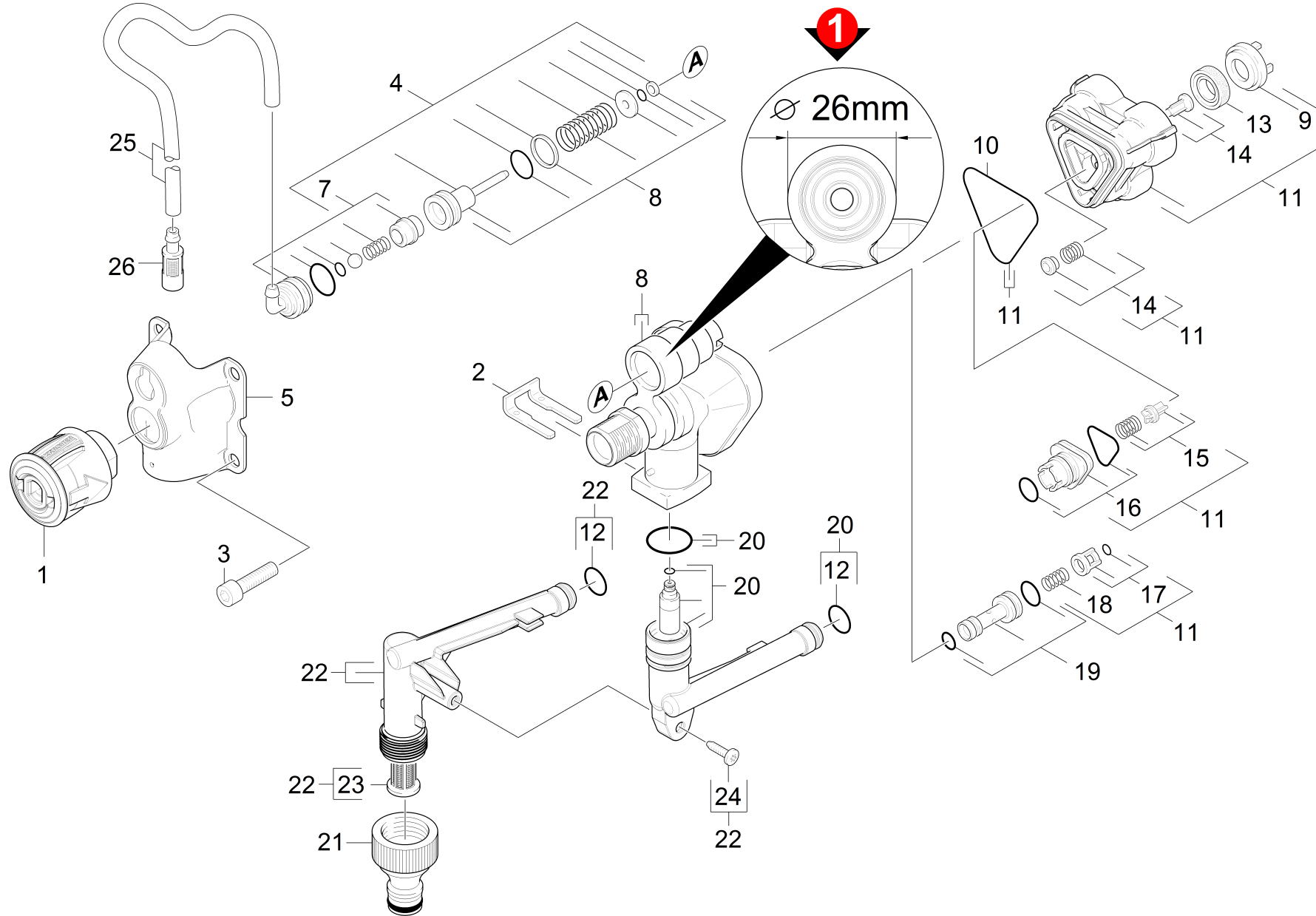


21 Housing

Overview technical documents/Home & Garden/High pressure cleaner cold water/Electric motor/K 3/K 3.200 *EU (1.637-300.0)/Spare parts list K3.200 Compact/20 Pump set/21 Housing



21 Housing

Overview technical documents/Home & Garden/High pressure cleaner cold water/Electric motor/K 3/K 3.200 *EU (1.637-300.0)/Spare parts list K3.200 Compact/20 Pump set/21 Housing

Rez.daļas/nodil.pakļ.daļas	Poz.	Materiāla Nr.	Nosaukums	Daudzums	Pārdoš. vienība
	1	4.470-041.0	High pressure quick-fitting pipe union A	1.000	ST
	2	9.039-148.0	metal fork	1.000	ST
	3	9.086-200.0	Screw M 8x55 Class 8.8	4.000	ST
	4	9.001-981.0	Piston and water intake wcm	1.000	ST
	5	9.039-308.0	Cover K130	1.000	ST
	7	9.001-741.0	Korpusa kompaktais modulis, priekšējais	1.000	ST
X	8	9.002-010.0	Conversion kit housing new D=22mm	1.000	ST
	9	9.037-059.0	Balstgredzens	3.000	ST
	10	9.081-422.0	Veidnes blīve	1.000	ST
X-X	11	9.001-693.0	Cilindra galvas rezerves daļu kompl. WCP	1.000	ST
X	12	9.080-455.0	Seal 10x2,8	2.000	ST
	13	6.362-875.0	Gredzens ar gropi	3.000	ST
	14	9.001-110.0	Veidnes detaļa, pilns komplekts	1.000	ST
	15	9.001-149.0	Vārstu komplekts	1.000	ST
	16	9.001-106.0	Savienotājdetaļa	1.000	ST
	17	9.001-107.0	Aptvere, pilns komplekts	1.000	ST
	18	9.047-026.0	Atspere	1.000	ST
	19	9.001-108.0	Inžektors, pilns komplekts	1.000	ST
X-X	20	9.001-888.0	Connection K3/K4	1.000	ST
	21	6.465-031.0	connection	1.000	ST
X-X	22	9.001-885.0	Savienojums	1.000	ST
	23	5.731-598.0	Smalkais filtrs, garš	1.000	ST
	24	9.086-173.0	Skrūve Hi-Lo d.4x22 Torx-d.7,5	1.000	ST
	25	6.388-216.0	Šjūtene DN 5	1.000	M
	26	5.731-652.0	Filtrs ar atsvariņu	1.000	ST