

Spare parts list

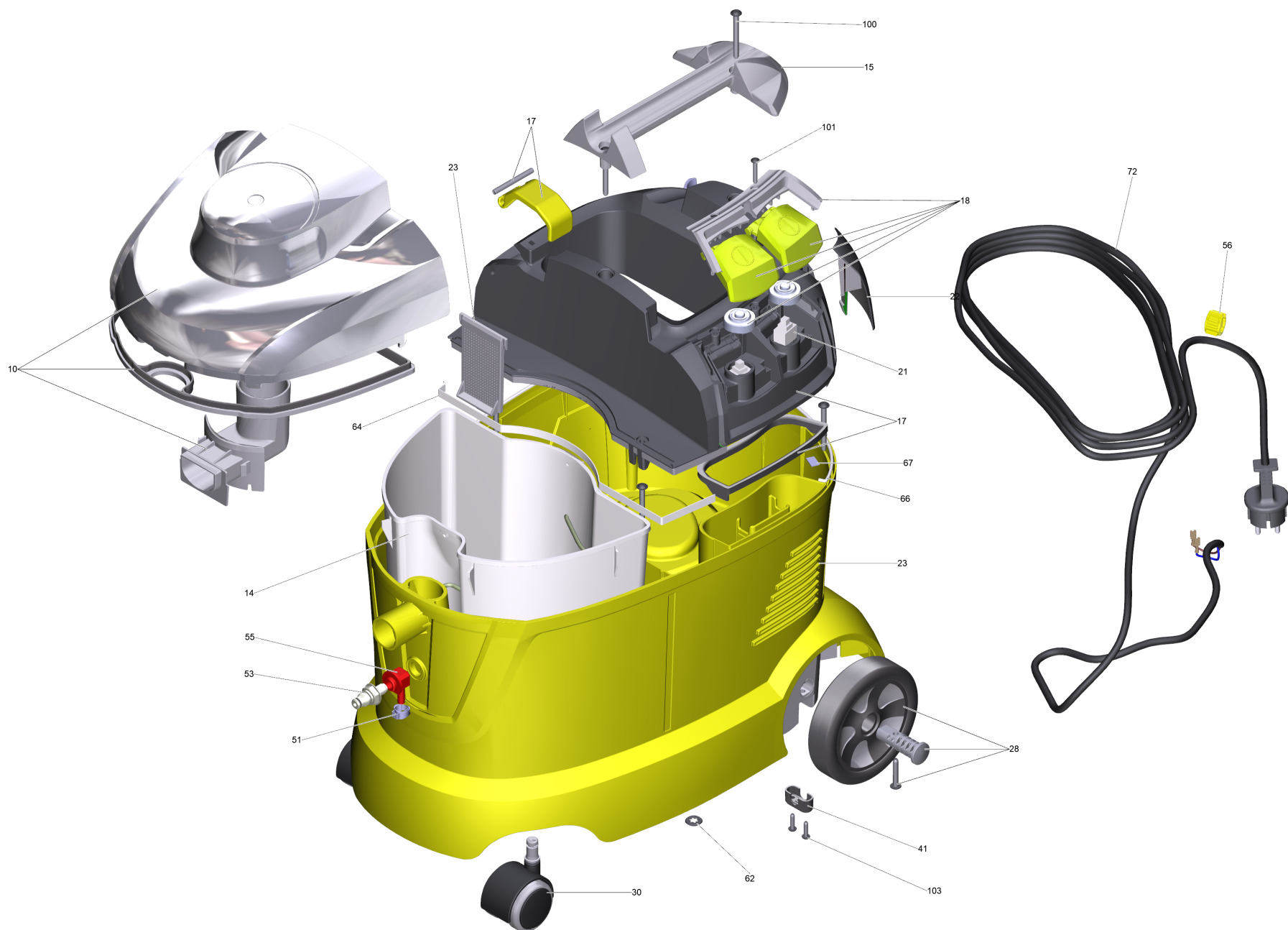
(1.100-225.0) Puzzi 8/1 C with hand nozzle *EU

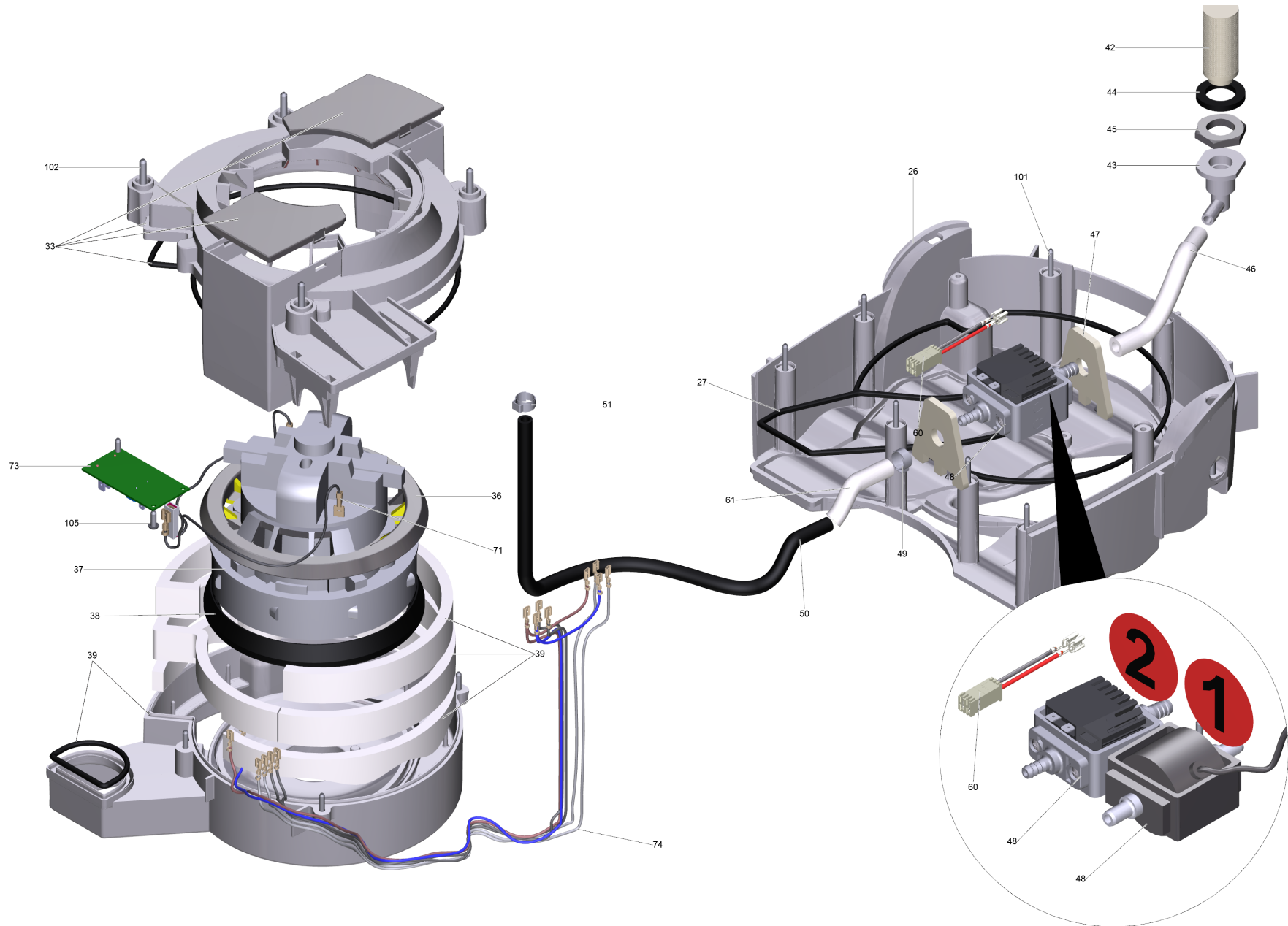
Table of contents

Puzzi 8/1 C with hand nozzle *EU (1.100-225.0)	3
5 Spare parts list Puzzi 8/1 C_EU (5.972-960.0)	4
10 Cover complete only for replacement (4.064-006.0)	8
17 Cover complete Puzzi 8/1 C (4.069-035.0)	10
18 Pushbutton complete only for replacement (4.324-028.0)	12
23 Housing complete Puzzi 8/1 C (4.605-003.0)	14
28 Wheel complete RAL 9005 (4.515-272.0)	16
37 Vacuum motor 230V (6.490-215.0)	18
39 Air circulation complete only for replac (4.692-034.0)	19
48 Pump for replacement 230V-GOTEC (4.610-105.0)	21
48 Vibrating piston pump 230V-GOTEC D7,5 (6.473-570.0)	23
53 Nipple complete (4.409-001.0)	25
900 Accessories	27
2 Spray/suction hose Puzzi DN32 2.5m (6.394-826.0)	29
1 Hose coupling complete for replacement (4.446-023.0)	31
3 Hose coupling complete for replacement (4.446-023.0)	32
5 Metering unit antifoaming agent (4.006-907.0)	33
6 Upholstery nozzle complete packaged (4.130-001.0)	35
7 Set carpet nozzle complete 240mm (4.130-007.0)	37
1 Spray/suction tube Puzzi DN32 0.7m (4.025-004.0)	39
2 D handle Spray/suction tube Puzzi DN32 (4.321-001.0)	41
3 Carpet nozzle flexible 240mm verpackt (4.130-008.0)	43
10 Nozzles set for floor nozzle (2.884-546.0)	45
8 Crevice nozzle complete packaged (4.130-010.0)	46
3 Spraying nozzle set (4.765-000.0)	48
18 Spray/suction gun Puzzi DN32 (4.130-000.0)	50
2 Valve complete (4.580-002.3)	52

Puzzi 8/1 C with hand nozzle *EU (1.100-225.0)

POS	Article no.	Description	Quantity	Unit
5	5.972-960.0	Spare parts list Puzzi 8/1 C_EU	1	PC



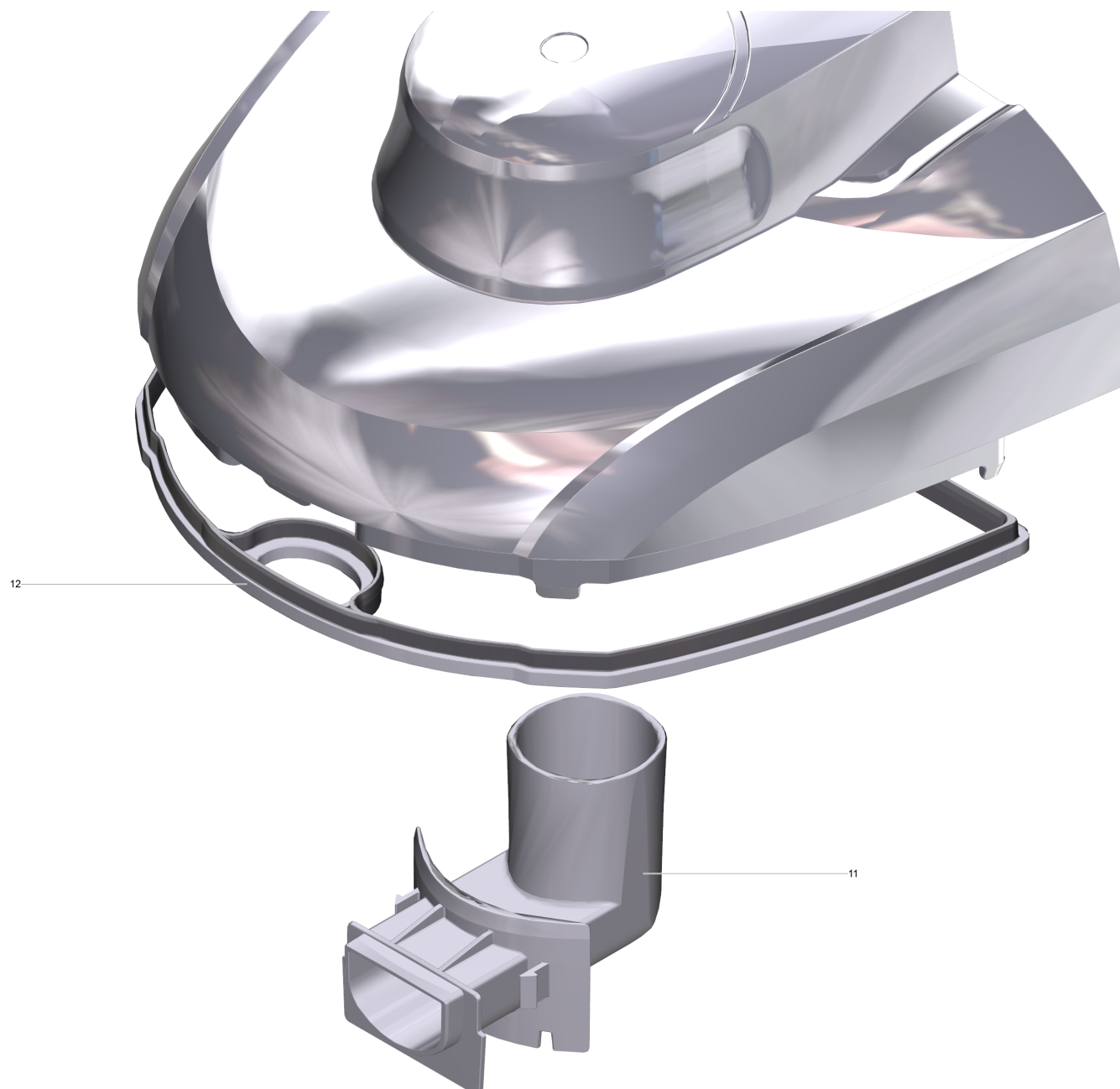


5 Spare parts list Puzzi 8/1 C_EU (5.972-960.0)

POS	Article no.	Description	Quantity	Unit	Foot note text
10	4.064-006.0	Cover complete only for replacement	1	PC	
14	4.070-632.0	Tank complete only for replacement	1	PC	
15	5.321-853.3	Handhold	1	PC	
17	4.069-035.0	Cover complete Puzzi 8/1 C	1	PC	
18	4.324-028.0	Pushbutton complete only for replacement	1	PC	
21	6.630-032.0	Switch	2	PC	
22	5.069-246.3	Covering cap cover	1	PC	
23	4.605-003.0	Housing complete Puzzi 8/1 C	1	PC	
26	5.050-353.0	Frame	1	PC	
27	4.363-028.0	Seal frame only for replacement	1	PC	
28	4.515-272.0	Wheel complete RAL 9005	1	PC	
30	6.435-707.0	Castor	2	PC	
33	4.069-019.0	Covering cap blower only for replacement	1	PC	
36	5.363-664.0	Seal vacuum motor above	1	PC	
37	6.490-215.0	Vacuum motor 230V	1	PC	
38	5.363-682.0	seal motor puzzi 8/1	1	PC	
39	4.692-034.0	Air circulation complete only for replac	1	PC	
41	5.034-505.0	Retaining bracket cable	1	PC	
42	6.414-027.0	Filter	1	PC	
43	5.443-246.0	Hose stem	1	PC	
44	5.363-108.0	Joint ring	1	PC	
45	6.310-004.0	Hexagon nut G 1/2"	1	PC	
46	5.442-924.0	Piece of tube	1	PC	
47	4.610-106.0	Bearing for replacement	2	PC	VERSION 2 / PLEASE TAKE MODEL OF PUMP
47	5.250-152.0	seal pump puzzi 8/1	2	PC	VERSION 1 / PLEASE TAKE MODEL OF PUMP
48	4.610-105.0	Pump for replacement 230V-GOTEC	1	PC	VERSION 2 / PLEASE TAKE MODEL OF PUMP
48	6.473-570.0	Vibrating piston pump 230V-GOTEC D7,5	1	PC	VERSION 1 / PLEASE TAKE MODEL OF PUMP
49	6.388-701.0	Hose clip with insert 13,3	1	PC	
50	5.443-673.0	Hose DN 6,7	1	PC	
51	6.389-884.0	Hose clip 11,8	1	PC	
53	4.409-001.0	Nipple complete	1	PC	
55	5.443-437.0	Hose stem	1	PC	
56	5.033-928.0	Plug fixing RAL 1018	1	PC	

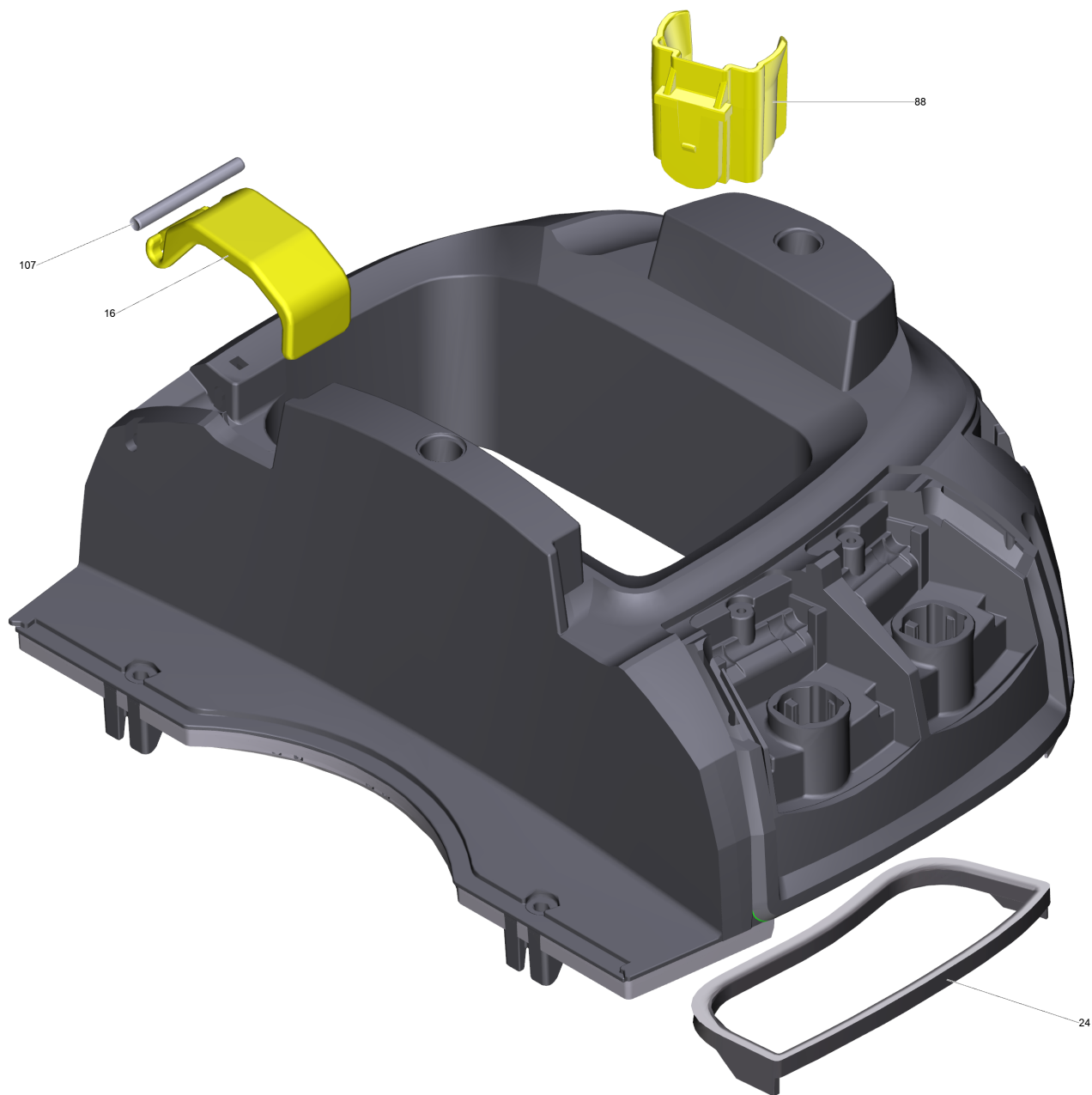
5 Spare parts list Puzzi 8/1 C_EU (5.972-960.0)

POS	Article no.	Description	Quantity	Unit	Foot note text
60	6.651-768.0	Cable pump electronics	1	PC	VERSION 2 / PLEASE TAKE MODEL OF PUMP
61	5.443-669.0	Insulating hose	1	PC	
62	6.343-119.0	Lock washer	1	PC	
64	6.273-275.0	Foamed material	1	PC	
66	6.273-037.0	Seal string cellular rubber 3	1	m	
67	5.363-719.0	Seal	1	PC	
71	6.649-313.0	Cable turbine	2	PC	
72	6.647-263.0	Power cable 7,5m PVC *EU	1	PC	
73	4.682-103.0	Electronics only for replacement	1	PC	
74	4.839-382.3	Electrical small parts Puzzi 8/1 C	1	PC	
100	7.303-154.0	Screw 5x50 -A2-70 (In6Rd)	6	PC	
101	7.303-084.0	Screw 4x25 -10.9-R2R (K-In6Rd)	15	PC	
102	7.303-085.0	Screw 4x 35 -10.9-R2R (K-In6Rd)	4	PC	
103	7.303-129.0	Screw 4x16-10.9-R2R (K-In6Rd)	2	PC	
105	7.303-095.0	Screw 4x12-ST-10.9-R2R (IN6RD)	2	PC	
900		Accessories	1	PC	
9000	2.882-056.0	Conversion kit pump *EU	1	PC	



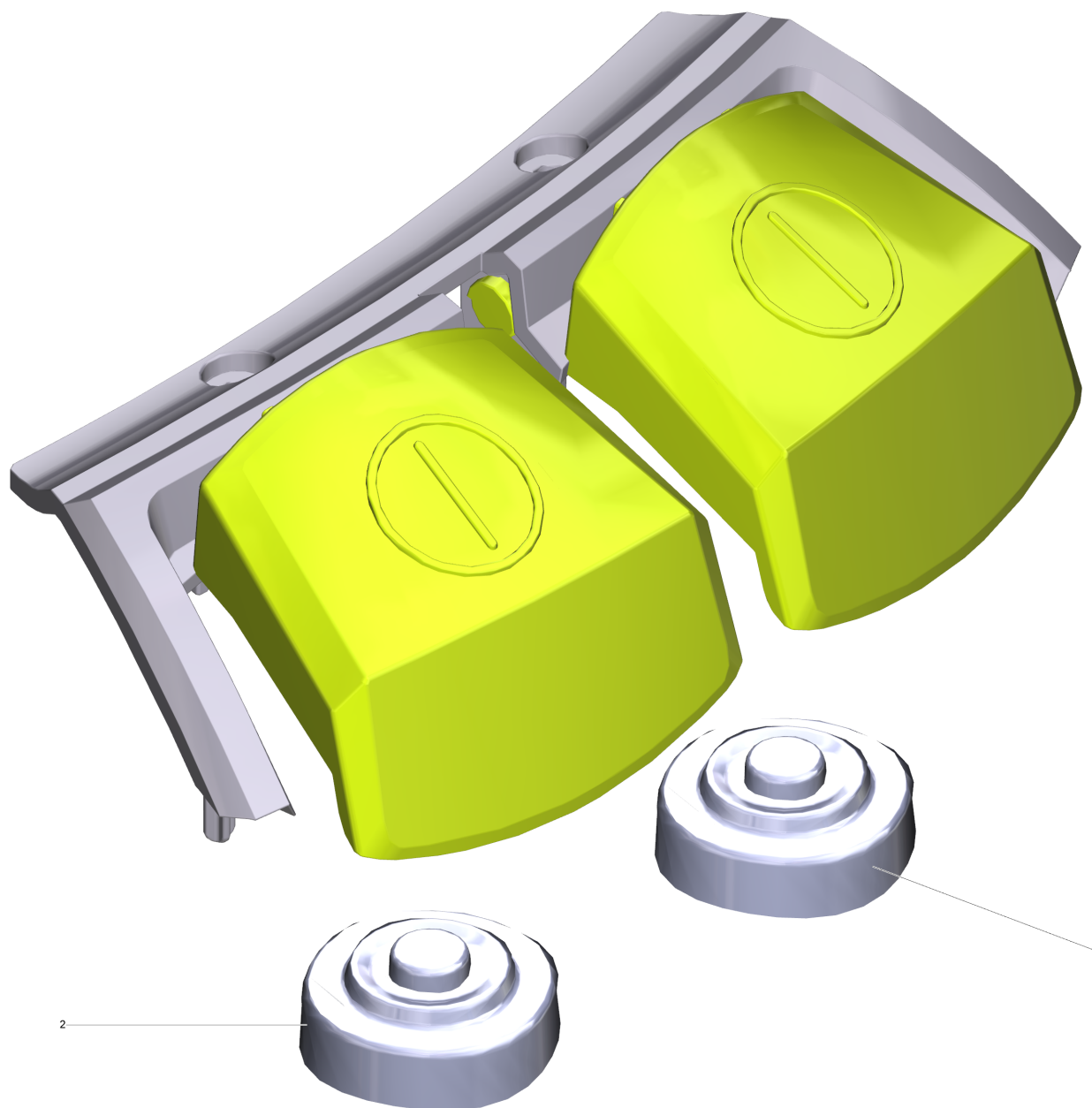
10 Cover complete only for replacement (4.064-006.0)

POS	Article no.	Description	Quantity	Unit
11	5.033-143.0	Elbow	1	PC
12	5.363-681.0	Seal cover	1	PC



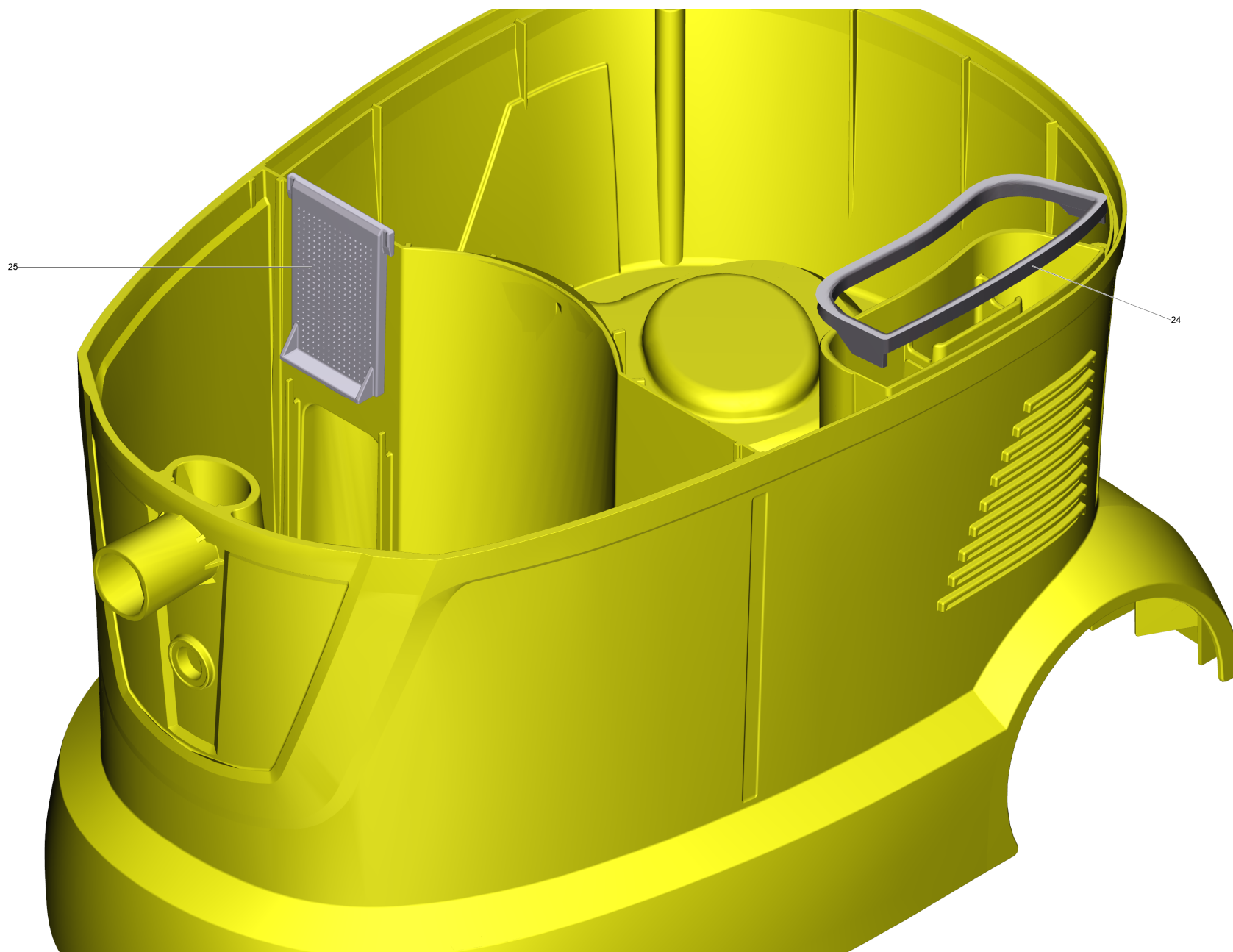
17 Cover complete Puzzi 8/1 C (4.069-035.0)

POS	Article no.	Description	Quantity	Unit
16	5.037-200.0	Hook yellow	1	PC
24	6.368-413.0	Seal switch	1	PC
88	5.033-990.0	Clip Puzzi 10/1, Puzzi 10/2	1	PC
107	7.314-040.0	Straight pin 5m6x50-A1 ISO 2338	1	PC



18 Pushbutton complete only for replacement (4.324-028.0)

POS	Article no.	Description	Quantity	Unit
2	5.394-461.0	Protection part	2	PC



23 Housing complete Puzzi 8/1 C (4.605-003.0)

POS	Article no.	Description	Quantity	Unit
24	6.368-413.0	Seal switch	1	PC
25	5.734-099.0	Strainer	1	PC

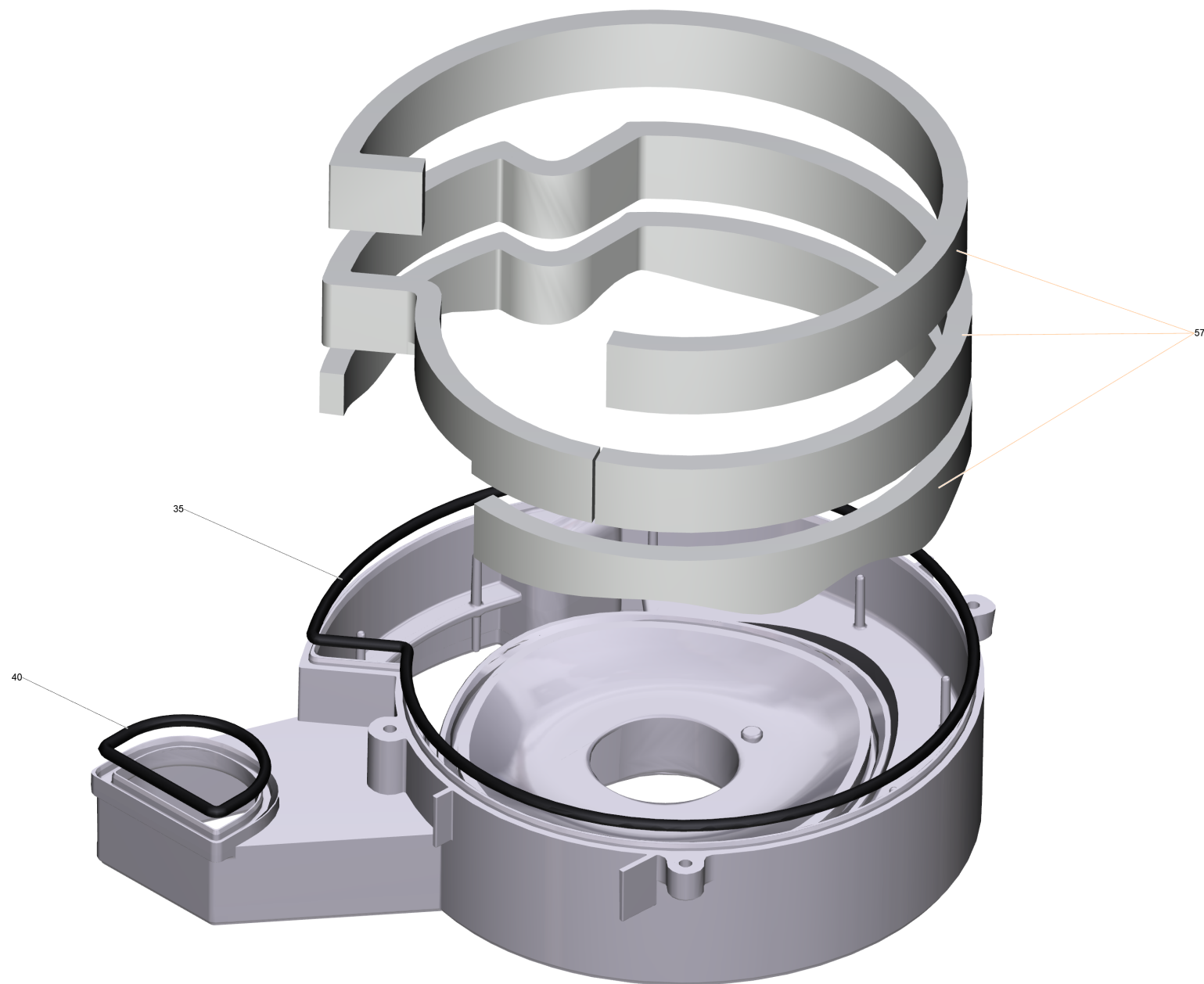


28 Wheel complete RAL 9005 (4.515-272.0)

POS	Article no.	Description	Quantity	Unit
3	7.303-086.0	Screw 5x30 -10.9-R2R (K-In6Rd)	2	PC

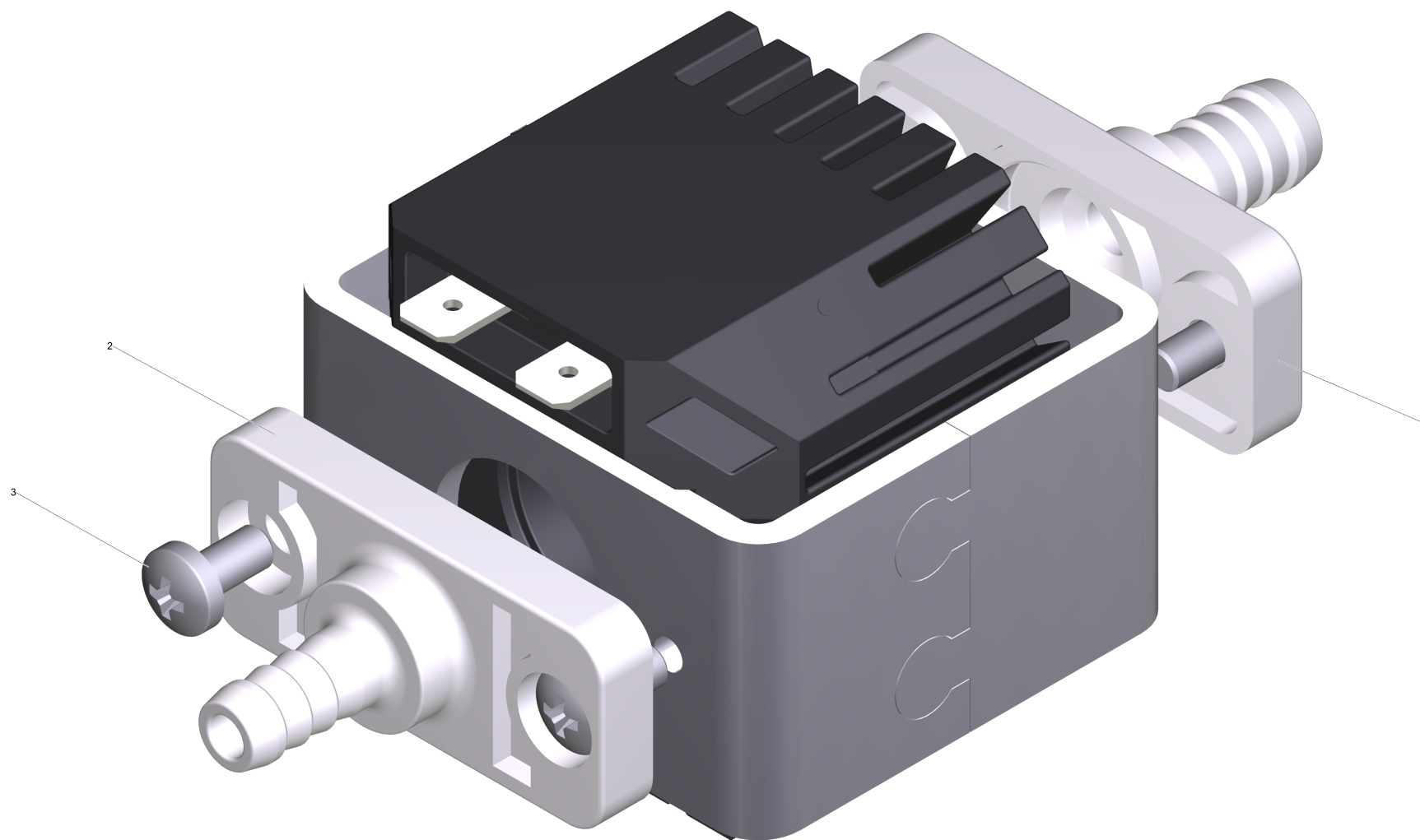
37 Vacuum motor 230V (6.490-215.0)

POS	Article no.	Description	Quantity	Unit	valid until
999	6.610-285.0	Carbon brush set	1	PC	40000



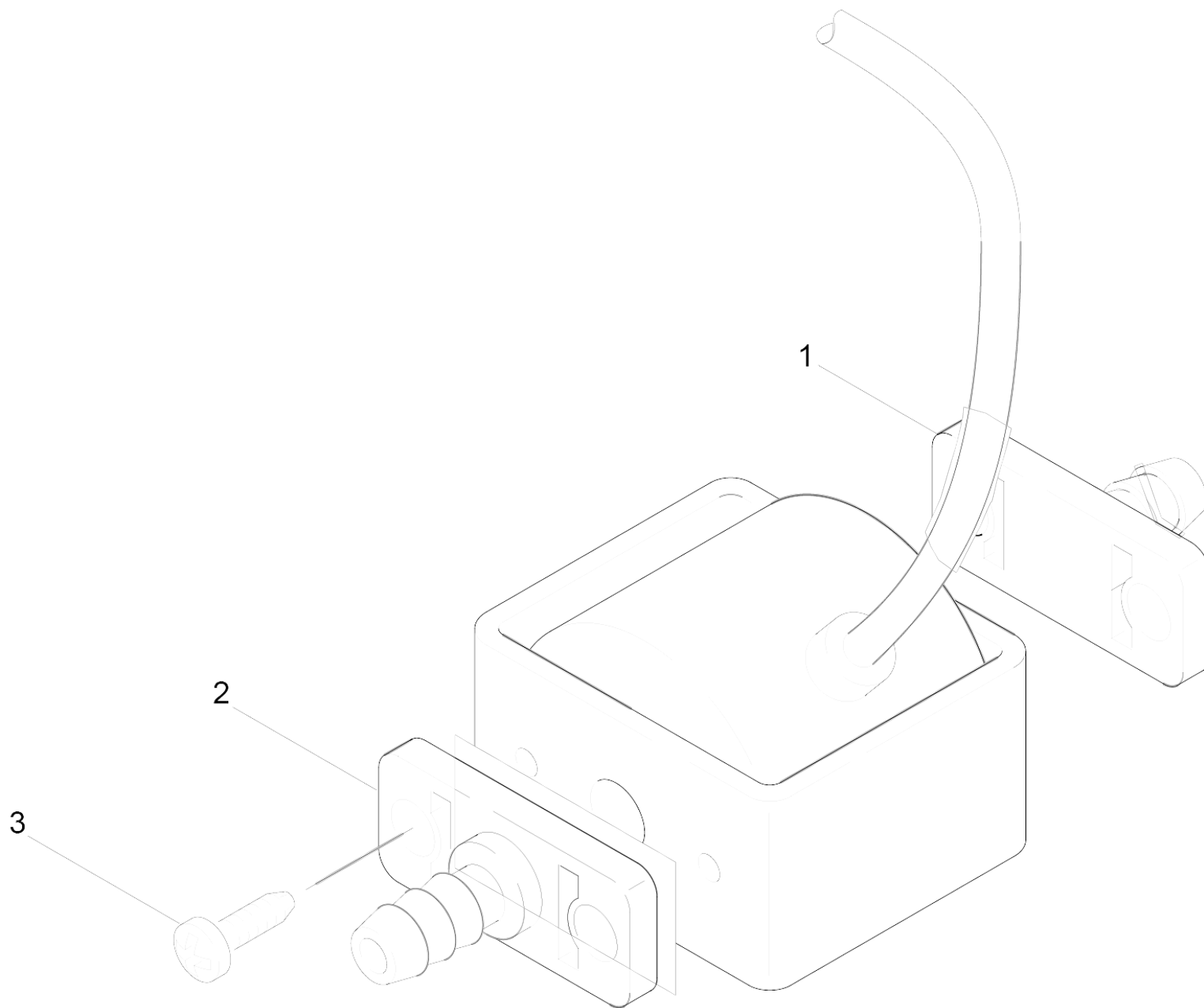
39 Air circulation complete only for replac (4.692-034.0)

POS	Article no.	Description	Quantity	Unit
35	9.439-065.0	Seal string cellular rubber 4	1	PC
40	9.439-064.0	Seal string cellular rubber 4	1	PC
57	2.286-009.0	Insulating mat set	1	PC



48 Pump for replacement 230V-GOTEC (4.610-105.0)

POS	Article no.	Description	Quantity	Unit
1	5.443-439.0	Hose stem D9,5	1	PC
2	5.443-663.0	Hose stem D 7,5	1	PC
3	7.306-236.0	Screw M4x6 -8.8 (In6Rd)	4	PC



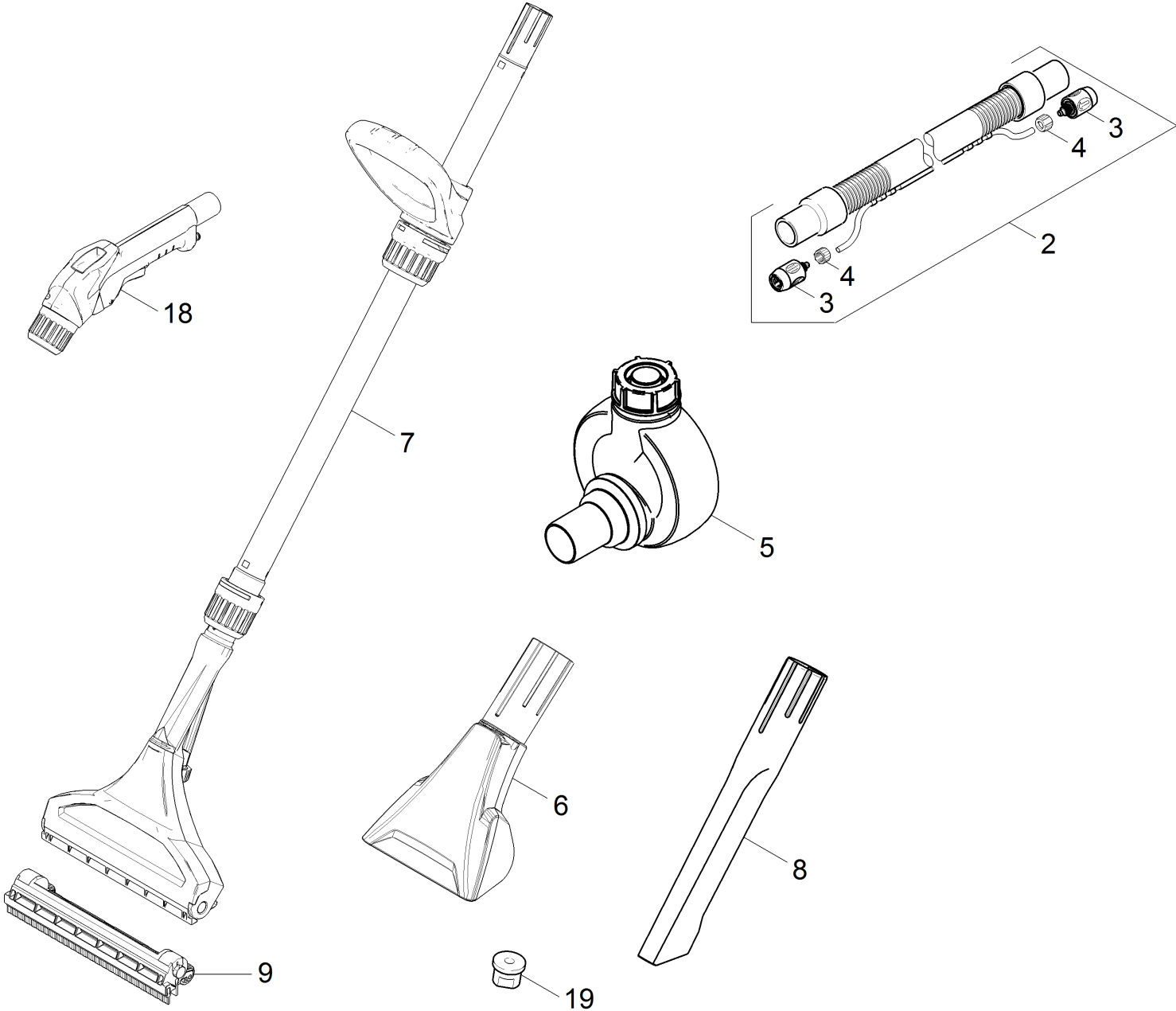
48 Vibrating piston pump 230V-GOTEC D7,5 (6.473-570.0)

POS	Article no.	Description	Quantity	Unit
1	5.443-439.0	Hose stem D9,5	1	PC
2	5.443-663.0	Hose stem D 7,5	1	PC
3	7.306-236.0	Screw M4x6 -8.8 (In6Rd)	4	PC



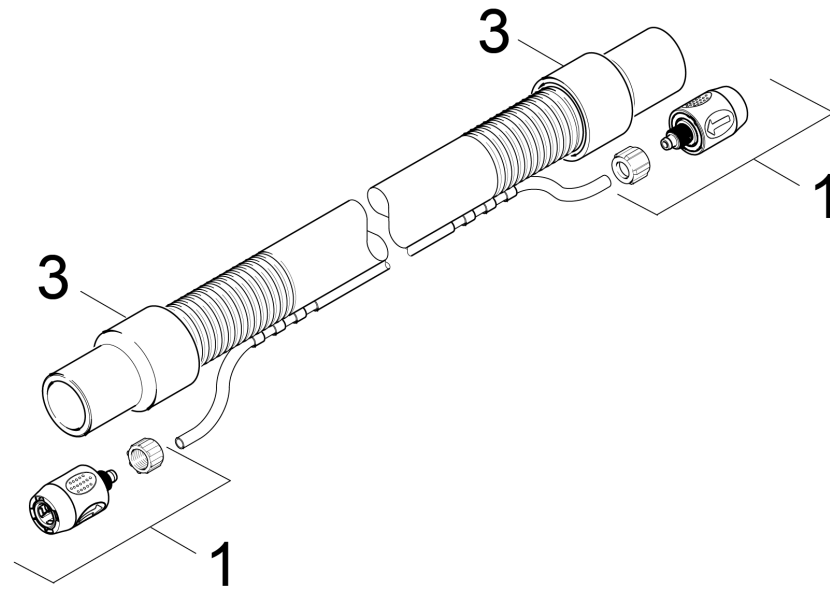
53 Nipple complete (4.409-001.0)

POS	Article no.	Description	Quantity	Unit
52	2.889-246.0	O-Ring seal set 6,75X 1,78	1	PC
54	6.362-797.0	O-Ring seal 9,0 X 2,0	1	PC



900 Accessories

POS	Article no.	Description	Quantity	Unit	Remark
2	6.394-375.0	Spray/suction hose Puzzi DN32 4m	1	PC	L = 4000mm
2	6.394-826.0	Spray/suction hose Puzzi DN32 2.5m	1	PC	L = 2400mm
3	4.446-023.0	Hose coupling complete for replacement	2	PC	
4	6.394-827.0	Union nut yellow M 12x1	2	PC	
5	4.006-907.0	Metering unit antifoaming agent	1	PC	
6	4.130-001.0	Upholstery nozzle complete packaged	1	PC	
7	4.130-007.0	Set carpet nozzle complete 240mm	1	PC	
8	4.130-010.0	Crevice nozzle complete packaged	1	PC	
9	4.762-014.0	Hard surface adapter 240mm	1	PC	
18	4.130-000.0	Spray/suction gun Puzzi DN32	1	PC	
19	6.415-166.0	Nozzle mouthpiece	1	PC	



2 Spray/suction hose Puzzi DN32 2.5m (6.394-826.0)

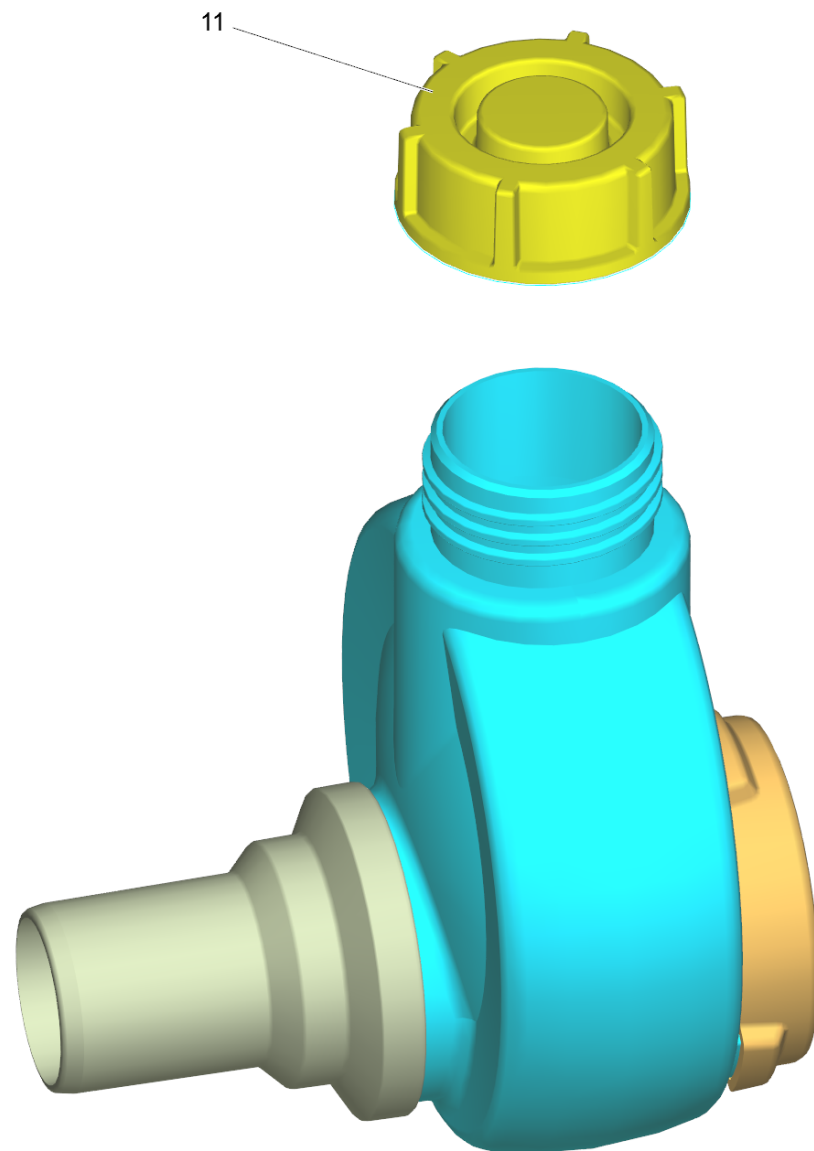
POS	Article no.	Description	Quantity	Unit
1	4.446-023.0	Hose coupling complete for replacement	2	PC
3	6.906-713.0	Sleeve DN32	2	PC

1 Hose coupling complete for replacement (4.446-023.0)

POS	Article no.	Description	Quantity	Unit
2	6.394-827.0	Union nut yellow M 12x1	1	PC

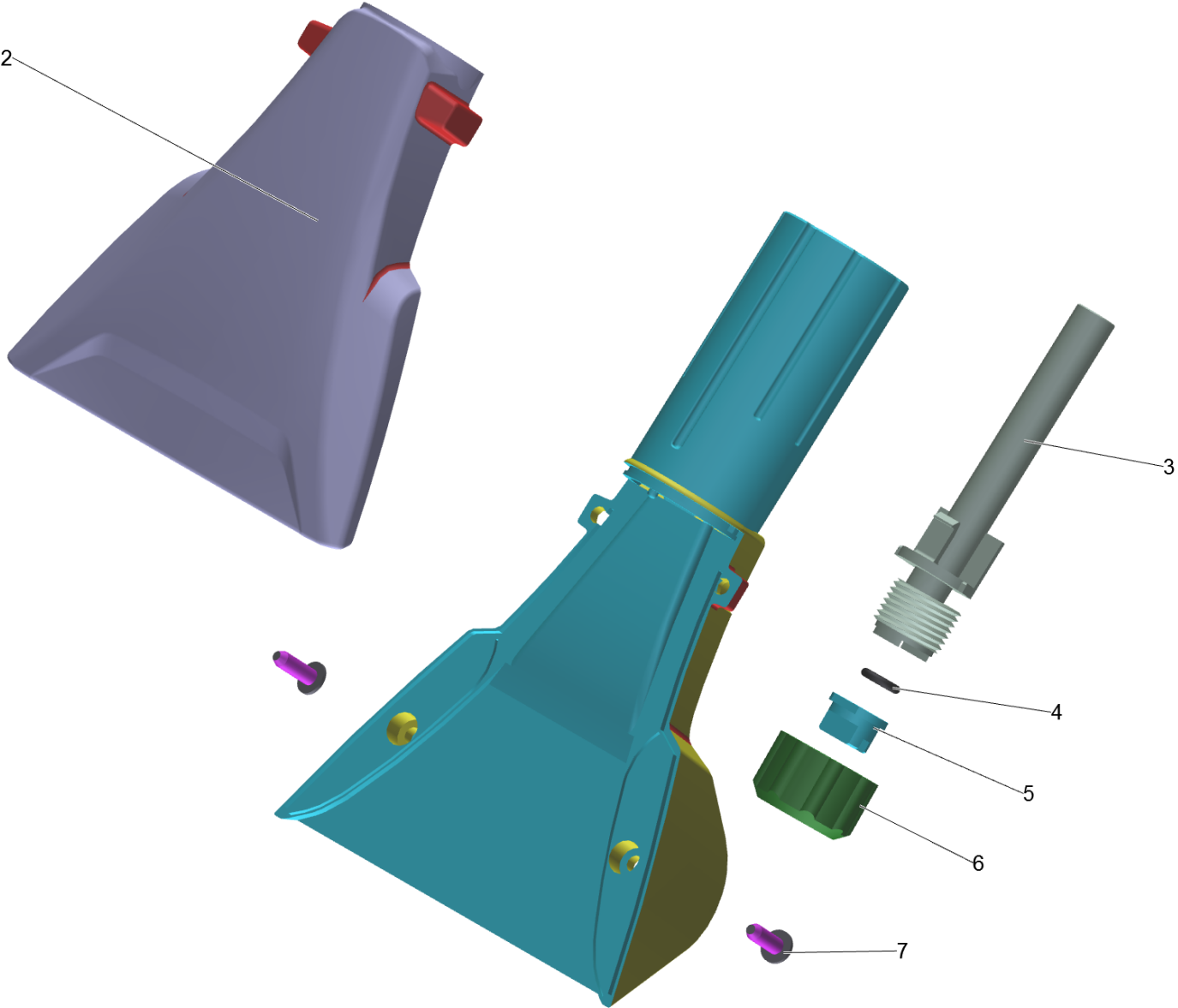
3 Hose coupling complete for replacement (4.446-023.0)

POS	Article no.	Description	Quantity	Unit
2	6.394-827.0	Union nut yellow M 12x1	1	PC



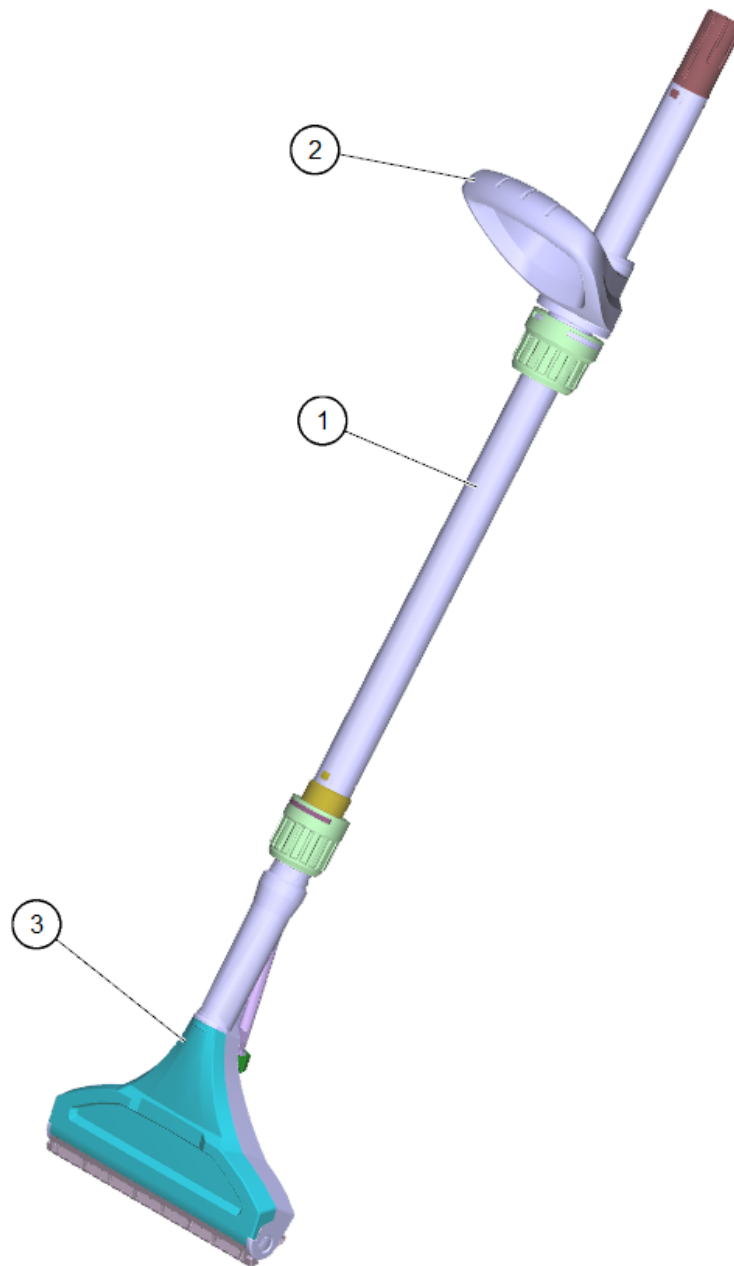
5 Metering unit antifoaming agent (4.006-907.0)

POS	Article no.	Description	Quantity	Unit
11	6.394-106.0	Screw cap	1	PC



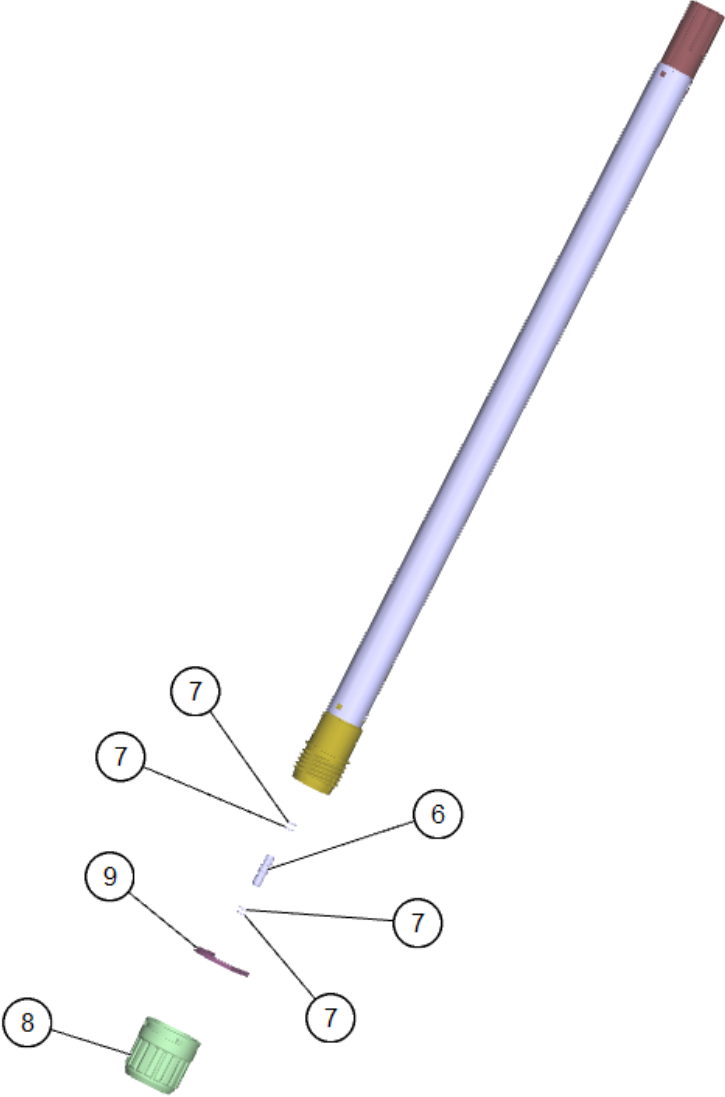
6 Upholstery nozzle complete packaged (4.130-001.0)

POS	Article no.	Description	Quantity	Unit
2	5.130-020.0	Upholstery nozzle top part	1	PC
3	5.401-007.0	Nozzle holder	1	PC
4	6.362-113.0	O-Ring seal 6,0 x 2,0 NBR 70	1	PC
5	2.884-362.0	Nozzles set for upholstery nozzle 2 pieces	1	PC
6	5.310-043.0	Union nut black	1	PC
7	7.303-116.0	Screw 4x12-A2-70 (IN6RD)	4	PC



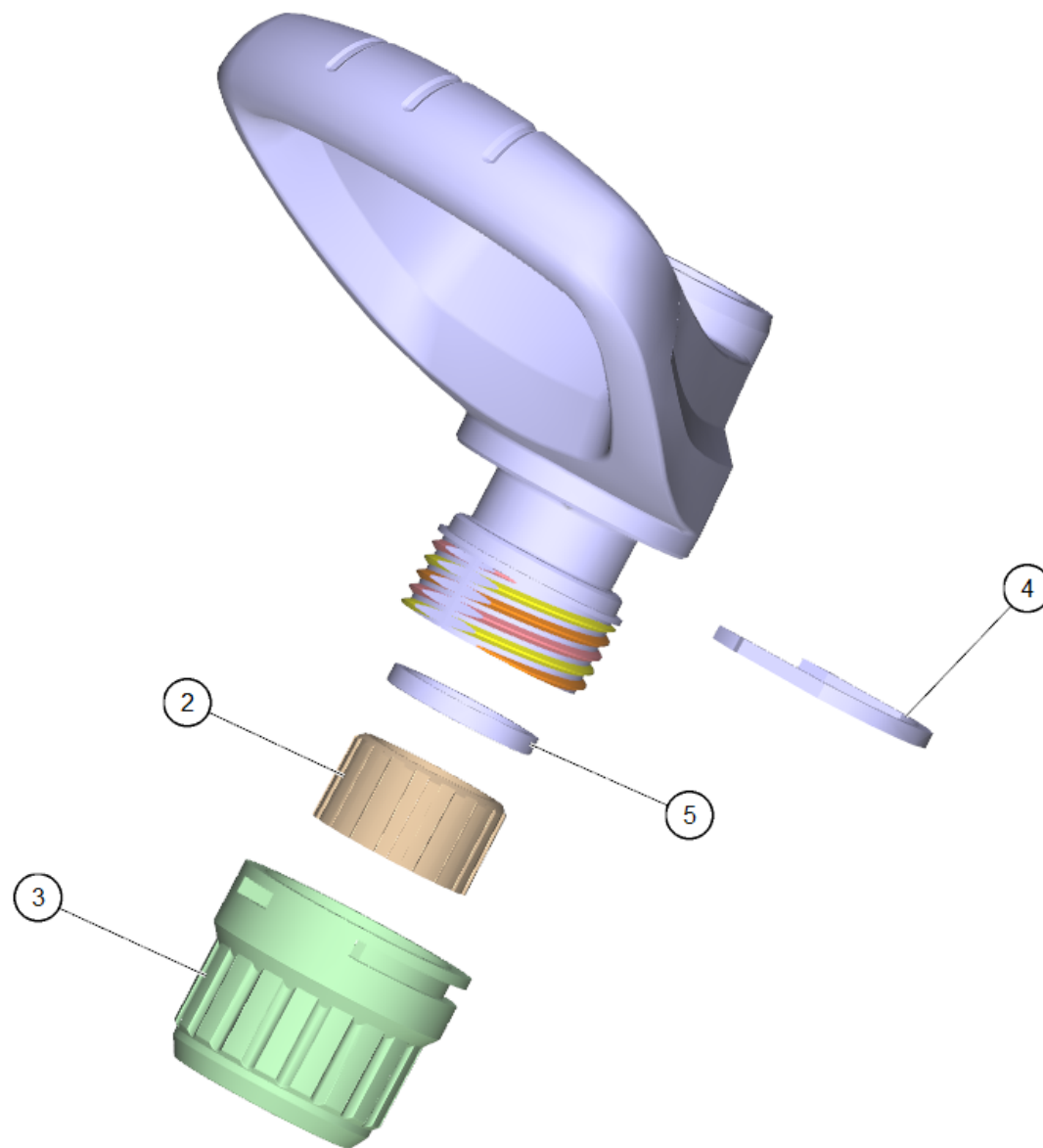
7 Set carpet nozzle complete 240mm (4.130-007.0)

POS	Article no.	Description	Quantity	Unit
1	4.025-004.0	Spray/suction tube Puzzi DN32 0.7m	1	PC
2	4.321-001.0	D handle Spray/suction tube Puzzi DN32	1	PC
3	4.130-008.0	Carpet nozzle flexible 240mm verpackt	1	PC



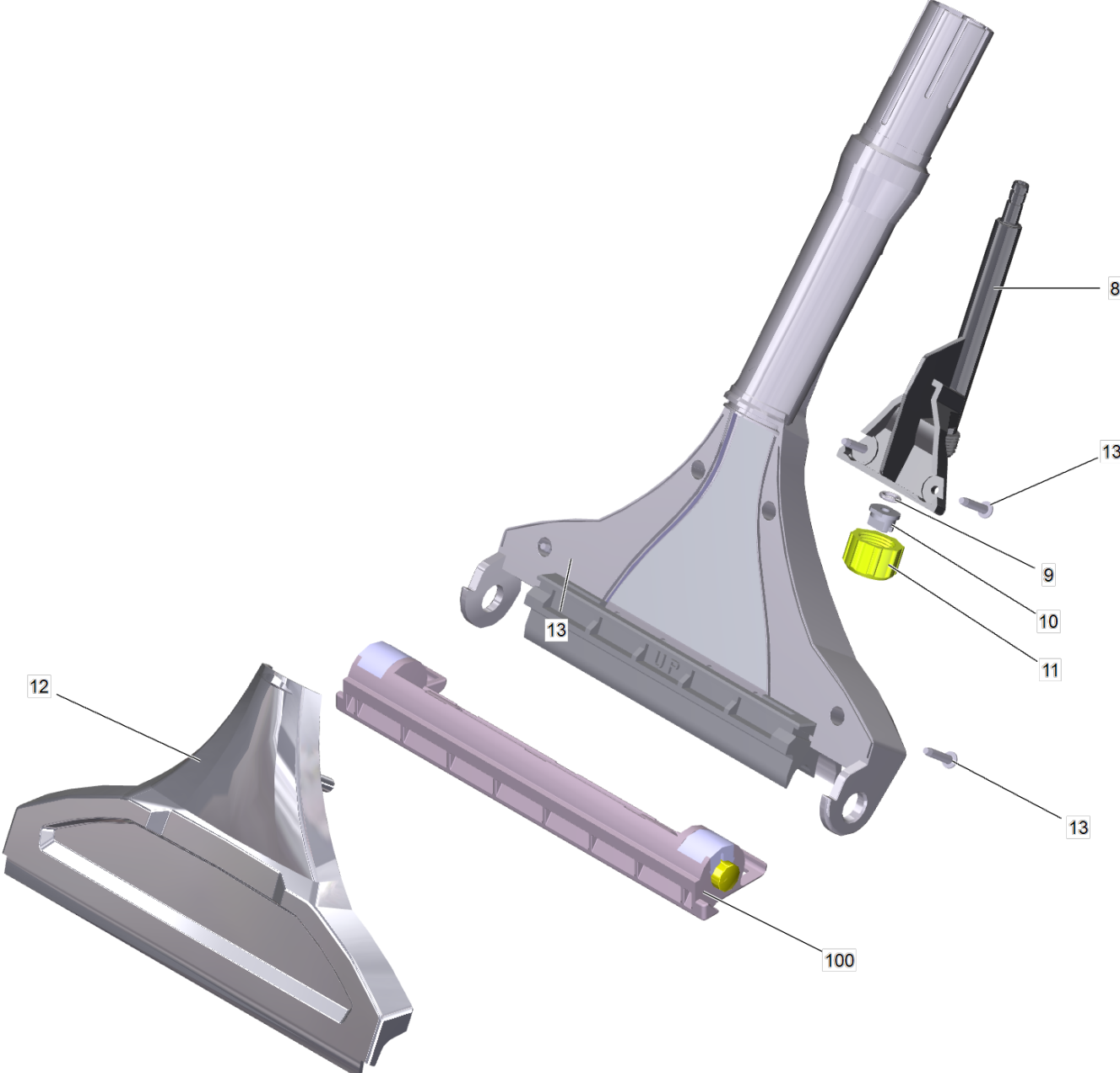
1 Spray/suction tube Puzzi DN32 0.7m (4.025-004.0)

POS	Article no.	Description	Quantity	Unit
6	5.127-021.0	Extension	1	PC
7	6.363-574.0	O-Ring seal 6x1,2 - NBR 80	4	PC
8	5.310-000.0	Union nut yellow RAL 1018	1	PC
9	5.031-029.0	Tension ring yellow RAL 1018	1	PC



2 D handle Spray/suction tube Puzzi DN32 (4.321-001.0)

POS	Article no.	Description	Quantity	Unit
2	5.401-005.0	Insert rubber	1	PC
3	5.310-002.0	Union nut handhold yellow RAL 1018	1	PC
4	5.037-019.0	Clip hand grip yellow RAL 1018	1	PC
5	5.114-003.0	Spacer ring	1	PC

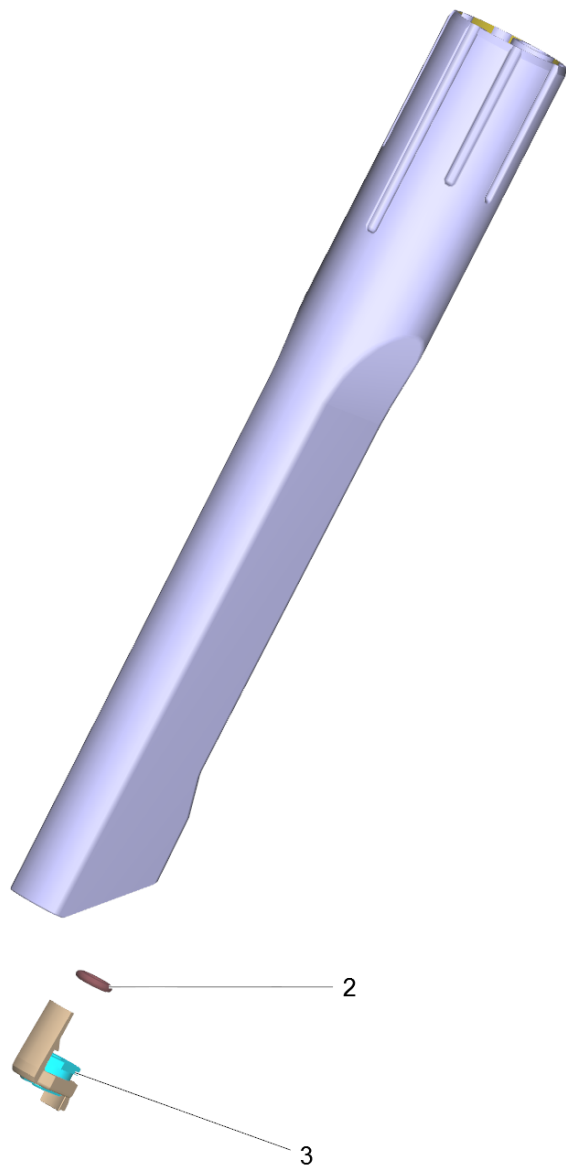


3 Carpet nozzle flexible 240mm verpackt (4.130-008.0)

POS	Article no.	Description	Quantity	Unit
8	4.764-007.0	Nozzle holder complete	1	PC
9	6.362-113.0	O-Ring seal 6,0 x 2,0 NBR 70	1	PC
10	2.884-546.0	Nozzles set for floor nozzle	1	PC
11	5.310-043.0	Union nut black	1	PC
12	5.777-016.3	Carpet nozzle covering cap 240mm	1	PC
13	7.303-117.0	Screw 4x20 -A2-70 (In6Rd)	4	PC
100	4.777-005.0	Vacuum bar complete 240mm	1	PC

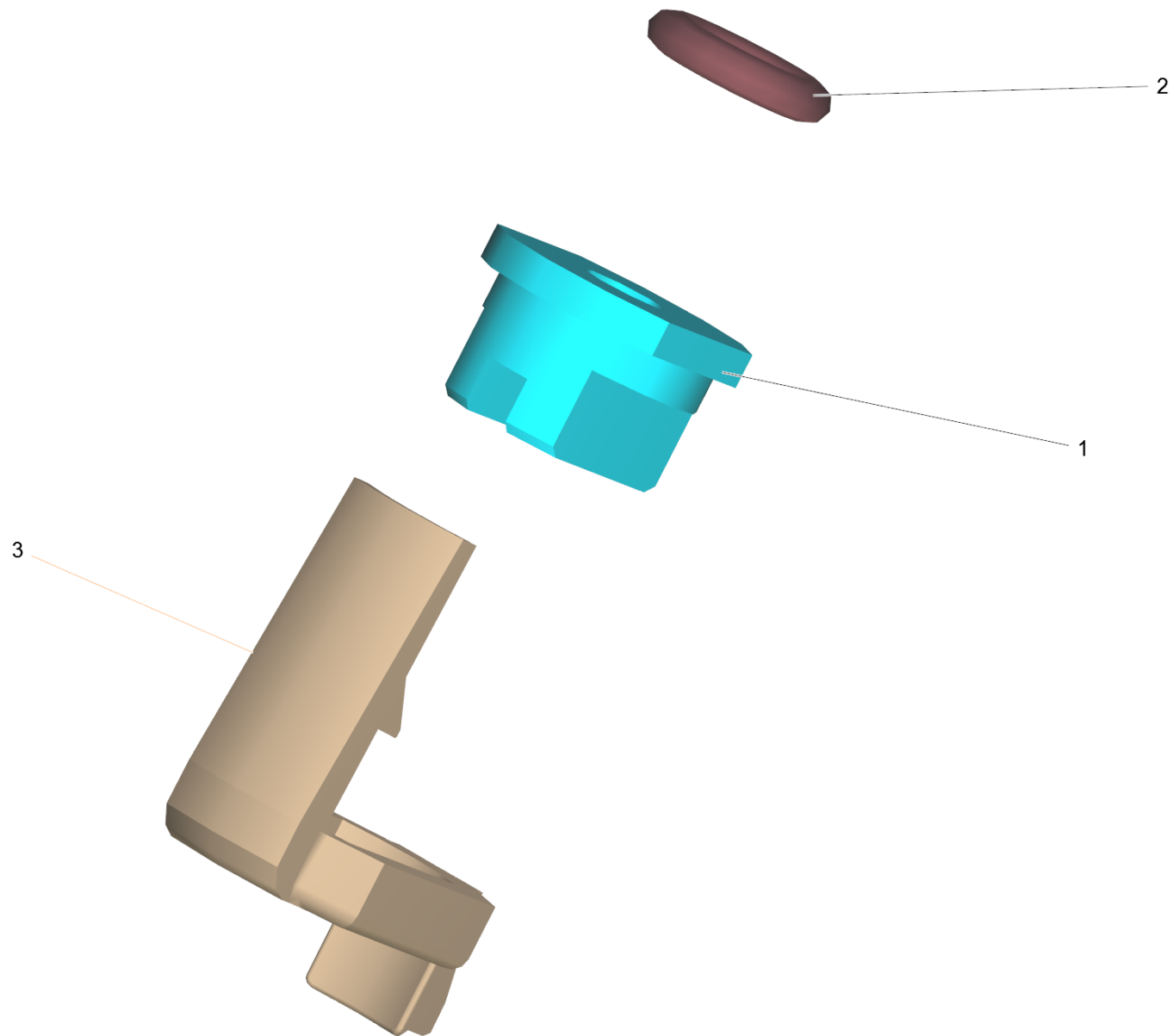
10 Nozzles set for floor nozzle (2.884-546.0)

POS	Article no.	Description	Quantity	Unit
2	6.362-113.0	O-Ring seal 6,0 x 2,0 NBR 70	3	PC
3	6.415-165.0	Nozzle mouthpiece 95G06	1	PC
4	6.415-166.0	Nozzle mouthpiece	1	PC
5	6.415-105.0	Nozzle mouthpiece green	1	PC



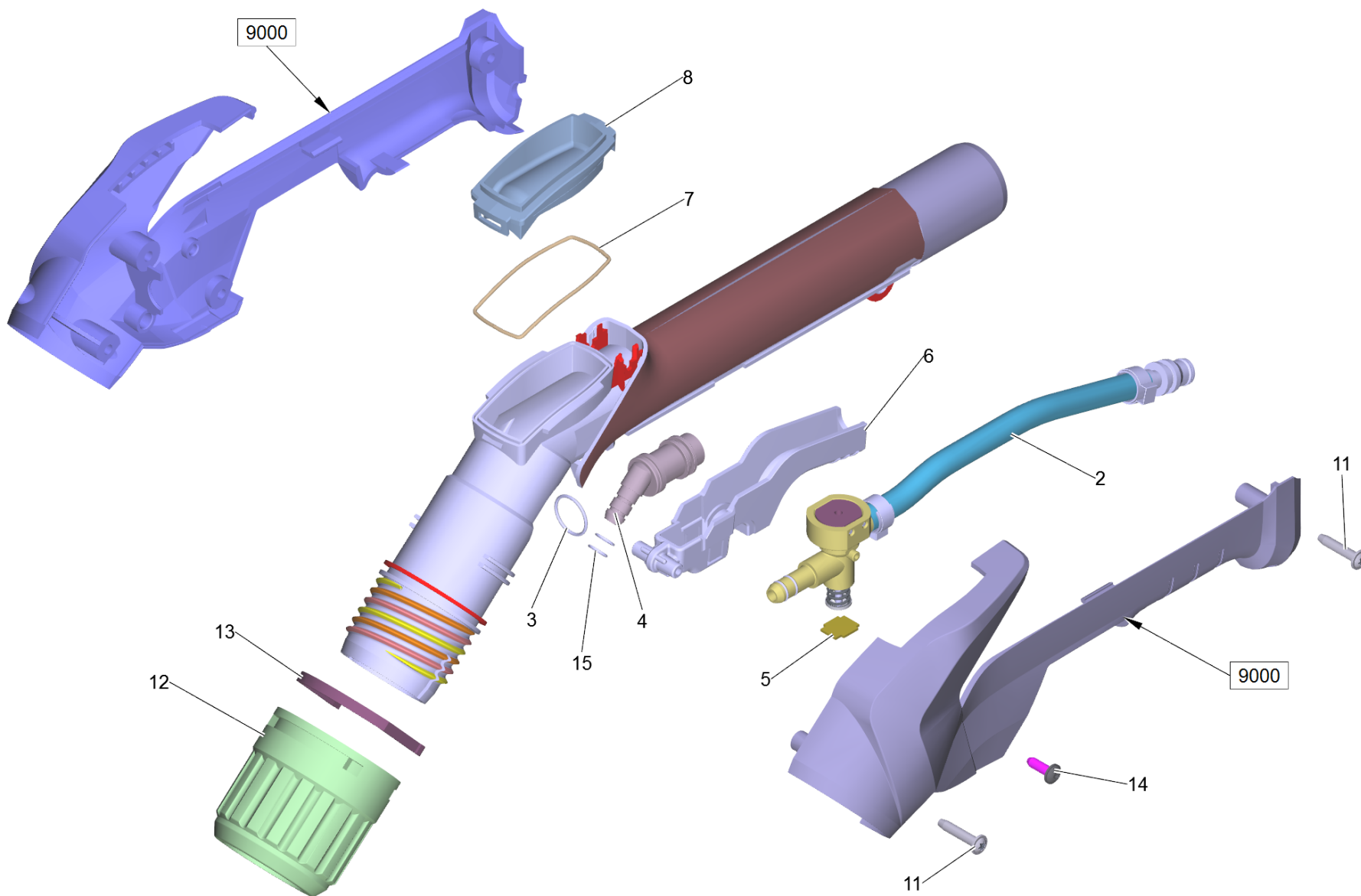
8 Crevice nozzle complete packaged (4.130-010.0)

POS	Article no.	Description	Quantity	Unit
2	6.363-242.0	O-Ring seal 6x2,2 EPDM 80 SH	1	PC
3	4.765-000.0	Spraying nozzle set	1	PC



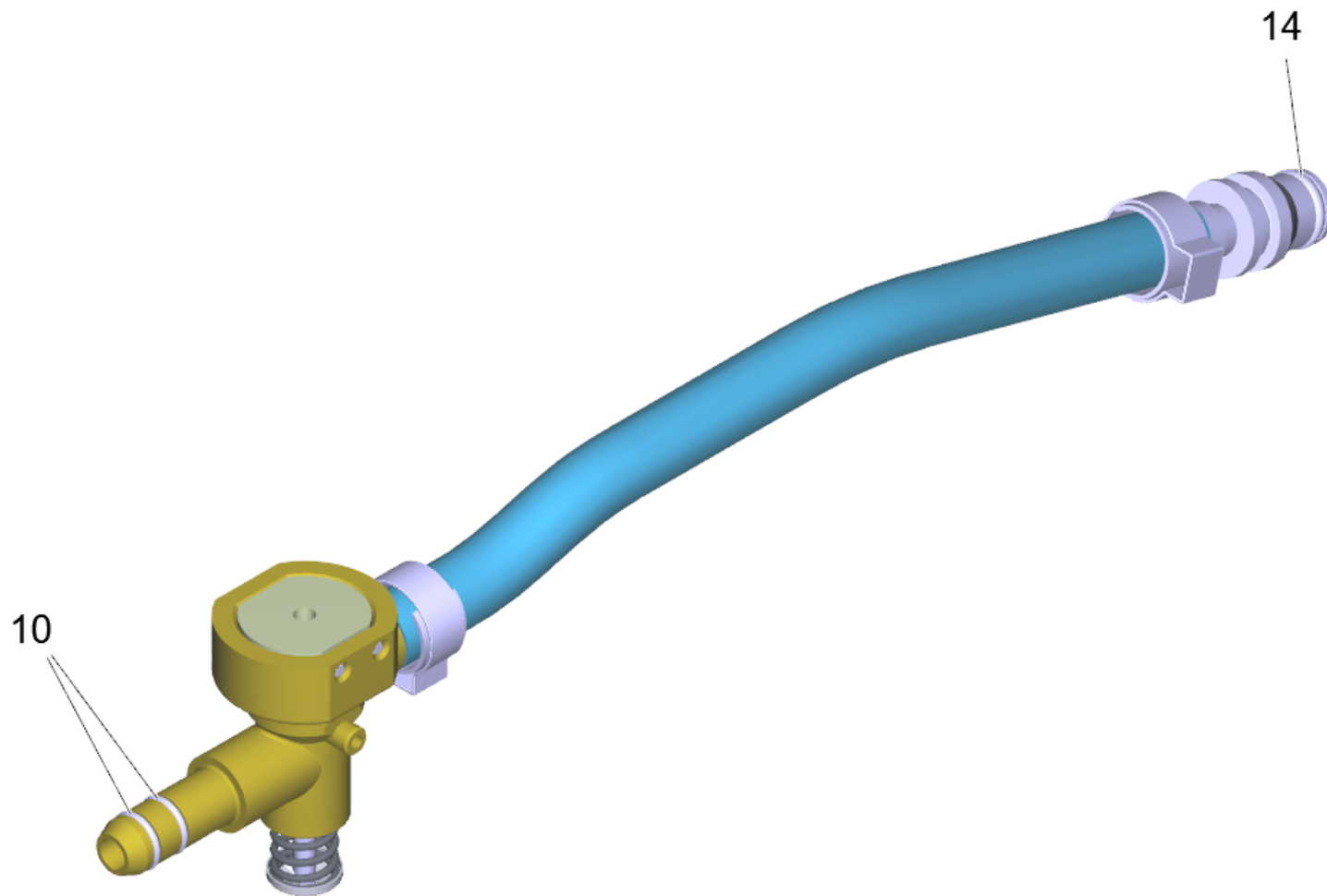
3 Spraying nozzle set (4.765-000.0)

POS	Article no.	Description	Quantity	Unit
1	6.415-928.0	Nozzle mouthpiece blue	1	PC
2	6.363-242.0	O-Ring seal 6x2,2 EPDM 80 SH	1	PC
3	5.032-026.0	Clip crevice nozzle	1	PC



18 Spray/suction gun Puzzi DN32 (4.130-000.0)

POS	Article no.	Description	Quantity	Unit
2	4.580-002.3	Valve complete	1	PC
3	6.362-402.0	O-Ring seal 11,0 X 1,3-NBR 70	1	PC
4	5.453-000.0	Connecting sleeve	1	PC
5	5.007-162.0	Plate	1	PC
6	5.324-000.3	Pushbutton	1	PC
7	7.777-999.0	Stockpiling discontinued	1	PC
8	5.384-002.3	Inspection glass	1	PC
11	7.303-117.0	Screw 4x20 -A2-70 (In6Rd)	4	PC
12	5.310-000.0	Union nut yellow RAL 1018	1	PC
13	5.031-029.0	Tension ring yellow RAL 1018	1	PC
14	7.303-116.0	Screw 4x12-A2-70 (IN6RD)	1	PC
15	6.362-472.0	O-Ring seal 6,0 X 1,0-NBR 70	2	PC
9000	4.321-038.0	Handhold few	1	PC



2 Valve complete (4.580-002.3)

POS	Article no.	Description	Quantity	Unit
10	6.363-574.0	O-Ring seal 6x1,2 - NBR 80	2	PC
14	6.362-923.0	O-Ring seal 6,75X 1,78	1	PC