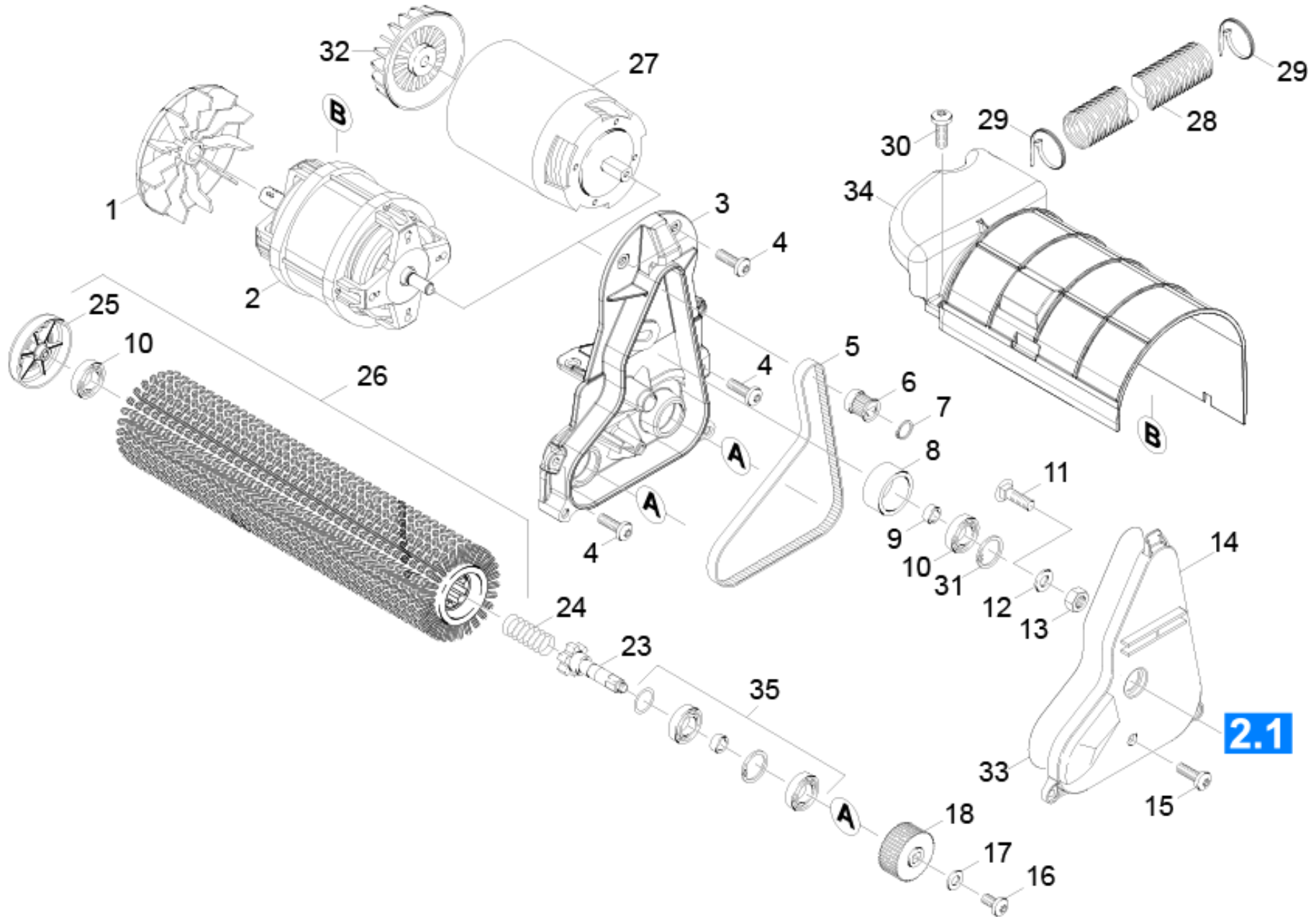


51 Brush-head BR

Professional \ Floor cleaner \ Walk behind \ BD 40/25 C Bp *EU \ Spare parts list BR/BD 40/25 C \ Brush-head \ Brush-head BR



51 Brush-head BR

Professional \ Floor cleaner \ Walk behind \ BD 40/25 C Bp *EU \ Spare parts list BR/BD 40/25 C \ Brush-head \ Brush-head BR

KÄRCHER

POS	Article no.	Description	Quantity	Unit	Foot note text
10	6.401-363.0	Ball bearing	2	PC	
6	5.625-318.0	Belt pulley 21Z	1	PC	
18	5.625-357.0	Belt pulley 56Z HTD 3M	2	PC	
1	6.612-764.0	Blower wheel	1	PC	
	Item text1: /1.515-101/-102/-103/-105/-106/-107				
	Item text2: /-108.0				
32	6.613-025.0	Blower wheel	1	PC	
26	4.762-481.0	Brush roll complete black 400 mm	2	PC	
26	4.762-252.0	Brush roll complete hard gruen 400 mm	2	PC	
26	4.762-251.0	Brush roll complete high/deep orange 400 mm	2	PC	
26	4.762-274.0	Brush roll complete horsehair natur 400 mm	2	PC	
26	4.762-003.0	Brush roll complete middle rot 400 mm	2	PC	
26	4.762-250.0	Brush roll complete white 400 mm	2	PC	
29	6.647-081.0	Cable tape	2	PC	
	Item text1: /1.515-101/-102/103/-105/-106.0				
34	5.032-633.0	Covering cap air circulation	1	PC	
14	5.032-632.0	Covering cap gear	1	PC	
27	6.613-293.3	Direct current motor	1	PC	
	Item text1: //1.515-201/-202/-205/-206/-207/-301				
	Item text2: /-302/-303/-304/-306/-307/-308.0				
3	4.093-001.0	Gear case replacement	1	PC	
24	5.332-114.0	Helical spring	2	PC	
13	7.311-510.0	Hexagon nut M8-8-A2E ISO 7040	1	PC	
28	6.391-445.0	Hose air circulation	1	PC	
	Item text1: /1.515-101/-102/103/-105/-106.0				
7	7.343-003.0	Locking ring 12x1-Rf-St DIN 471	1	PC	
31	7.343-151.0	Locking ring 28x1,2-FST-RF DIN 472	1	PC	
2	6.612-889.0	Motor 120V 60Hz	1	PC	
	Item text1: //1.515-103/-105/ -106.0				
2	4.612-005.0	Motor replacement	1	PC	
	Item text1: /1.515-101/-102/ -107/-108.0				
11	7.303-194.0	Saucer-head screw M8x25 -St-A0P DIN 603	1	PC	
30	7.303-212.0	Screw 5x20-A2-70 (K-In6Rd)	2	PC	

51 Brush-head BR

Professional \ Floor cleaner \ Walk behind \ BD 40/25 C Bp *EU \ Spare parts list BR/BD 40/25 C \ Brush-head \ Brush-head BR



POS	Article no.	Description	Quantity	Unit	Foot note text
	Item text1: /1.515-101/-102/103/-105/-106.0				
16	6.304-180.0	Screw M6X12-A2/70-ISO7045 (IN6RD)	2	PC	
15	7.303-047.0	Screw M6x16 -St-R3R (In6Rd)	3	PC	
4	7.306-194.0	Screw M6x20 -A2-70 ISO 14583	4	PC	
33	6.273-037.0	Seal string cellular rubber 3	1	m	TO ORDER AS CUT GOODS
35	4.035-611.0	Set transmission power brush	2	PC	
23	5.100-494.0	Shaft transmission replacement	2	PC	
25	4.038-677.0	Sheet metal component thread deflector	2	PC	
9	5.110-027.0	Spacer sleeve roller	1	PC	
8	5.317-126.0	Tension roller gear BR 40/25	1	PC	
5	6.348-417.0	Toothed belt HTD-570-3M-15 CXPIII	1	PC	
17	7.312-276.0	Washer 6 -200HV-A2E ISO7093-1	2	PC	
12	7.312-017.0	Washer 8-A2 ISO 7089	1	PC	