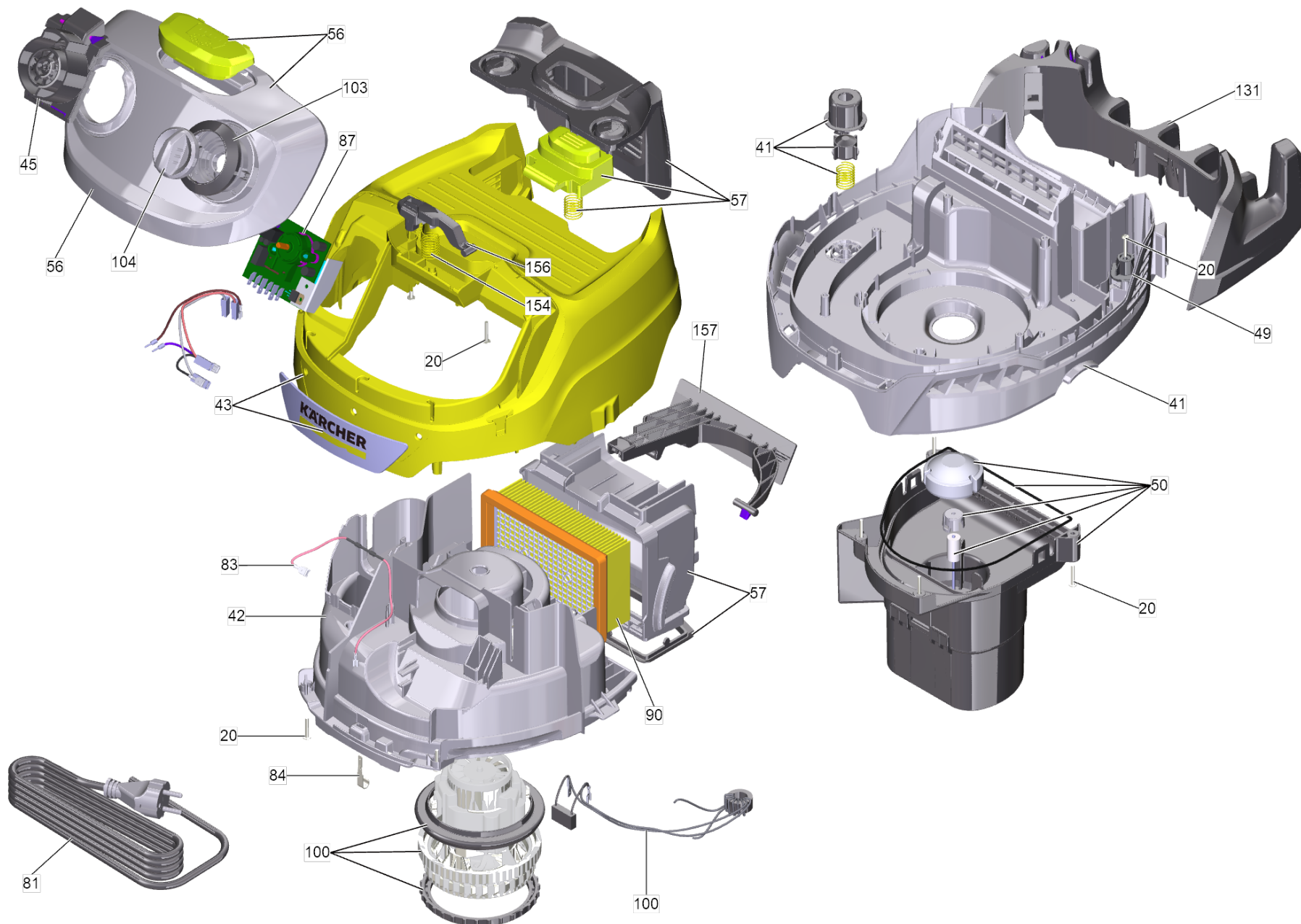


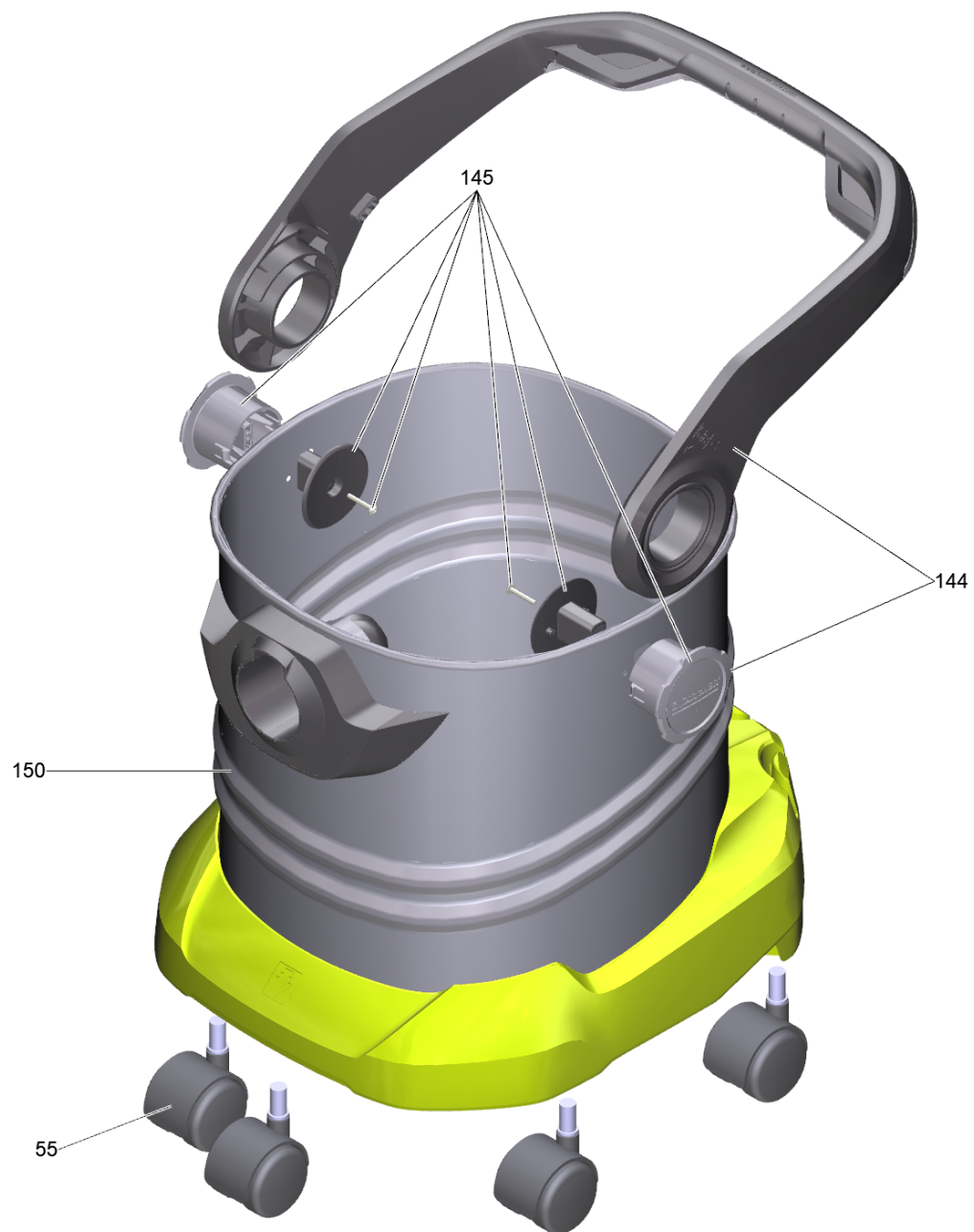
Spare parts list

(1.628-350.0) WD 5 S V-25/5/22 (YSY) *EU

Table of contents

| | |
|---|----|
| WD 5 S V-25/5/22 (YSY) *EU (1.628-350.0) | 3 |
| 4 Suction hose complete for replacement 2,2m - without handhold (4.440-135.3) | 8 |
| 4 Suction hose complete for replacement AS 3,5m WD 4-6 (4.440-140.3) | 10 |
| 41 Motor bracket complete (9.002-089.0) | 12 |
| 50 Housing float complete | 14 |
| 57 Filter box complete (9.002-091.0) | 16 |
| 150 Tank stainless steel for replacement 25L SBBY- (4.628-021.3) | 18 |
| 904 Vacuum kit for power tools WD 2St. (2.863-112.0) | 20 |

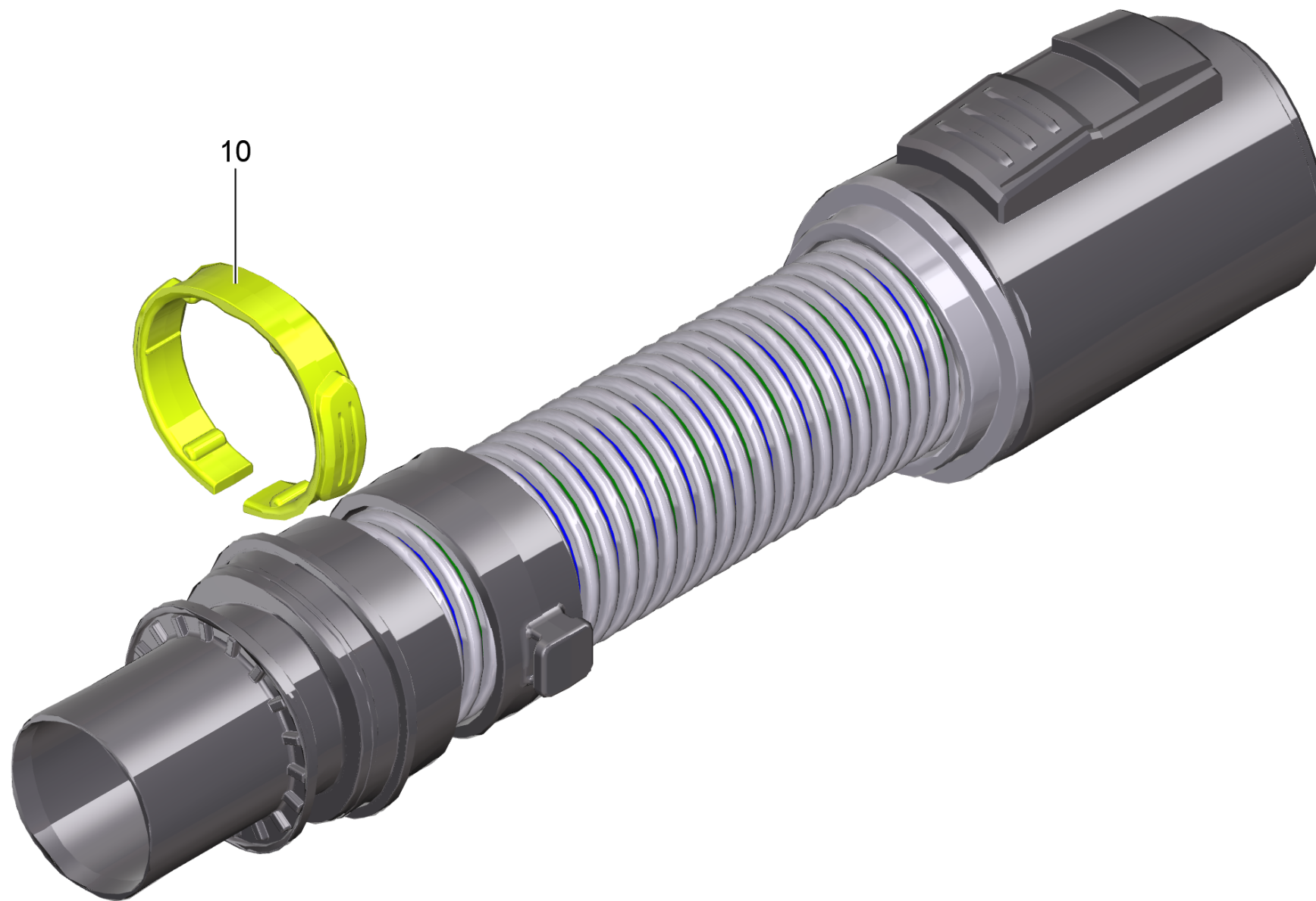




| POS | Article no. | Description | Quantity | Unit |
|-----|-------------|---|----------|------|
| 42 | 9.038-271.0 | Air circulation | 1 | PC |
| 100 | 4.624-435.3 | Blower motor complete for replacement 1100W | 1 | PC |
| 81 | 9.084-154.0 | Cable H05V-F 2X0,75 A2204 *EU | 1 | PC |
| 83 | 9.084-172.0 | Cable set ESD | 1 | PC |
| 901 | 2.863-316.0 | Car nozzle | 1 | PC |
| 55 | 9.036-479.0 | Castor D50 | 5 | PC |
| 905 | 9.048-061.0 | Connecting sleeve | 1 | PC |
| 26 | 9.048-061.0 | Connecting sleeve | 1 | PC |
| 45 | 9.013-059.0 | Connection complete | 1 | PC |
| 43 | 4.628-024.3 | Cover complete for replacement WD 5/6 -Y | 1 | PC |
| 8 | 6.900-385.0 | Crevice nozzle DN35 | 1 | PC |
| 900 | 2.863-306.0 | Crevice nozzle extra long WD | 1 | PC |
| 906 | 2.863-234.0 | Drill Dust Catcher WD | 1 | PC |
| 87 | 9.002-098.0 | Electrical box small complete | 1 | PC |
| 903 | 2.863-305.0 | Extension suction hose 3,5m | 1 | PC |
| 5 | 2.863-308.0 | Extension suction tube WD ID 35 | 2 | PC |
| 3 | 2.863-006.0 | Filter bag fleece WD 4St. | 1 | PC |
| 57 | 9.002-091.0 | Filter box complete | 1 | PC |
| 145 | 9.002-094.0 | Flange hand grip complete | 1 | PC |
| 157 | 9.038-279.0 | Flap filter | 1 | PC |
| 90 | 2.863-005.0 | Flat-pleated filter WD | 1 | PC |
| 908 | 2.863-012.0 | Hand grip suction hose | 1 | PC |
| 144 | 9.002-093.0 | Handle complete | 1 | PC |
| 903 | 4.441-068.0 | Hose extension packaged 1,5 m | 1 | PC |
| 50 | | Housing float complete | 1 | PC |
| 156 | 9.038-278.0 | Lever spring | 1 | PC |
| 41 | 9.002-089.0 | Motor bracket complete | 1 | PC |
| 210 | 6.633-534.0 | Oval head screw with Kombi-Torx 3x18 | 2 | PC |
| 131 | 9.038-287.0 | Retainer accessories | 1 | PC |
| 103 | 5.628-058.3 | Ring printed for replacement ON/OFF | 1 | PC |
| 104 | 9.038-362.0 | Rotary switch WD | 1 | PC |
| 56 | 5.628-055.3 | Screen cover for replacement WD 5/6 | 1 | PC |
| 20 | 9.086-221.0 | Screw ATF 4.1x22 | 16 | PC |

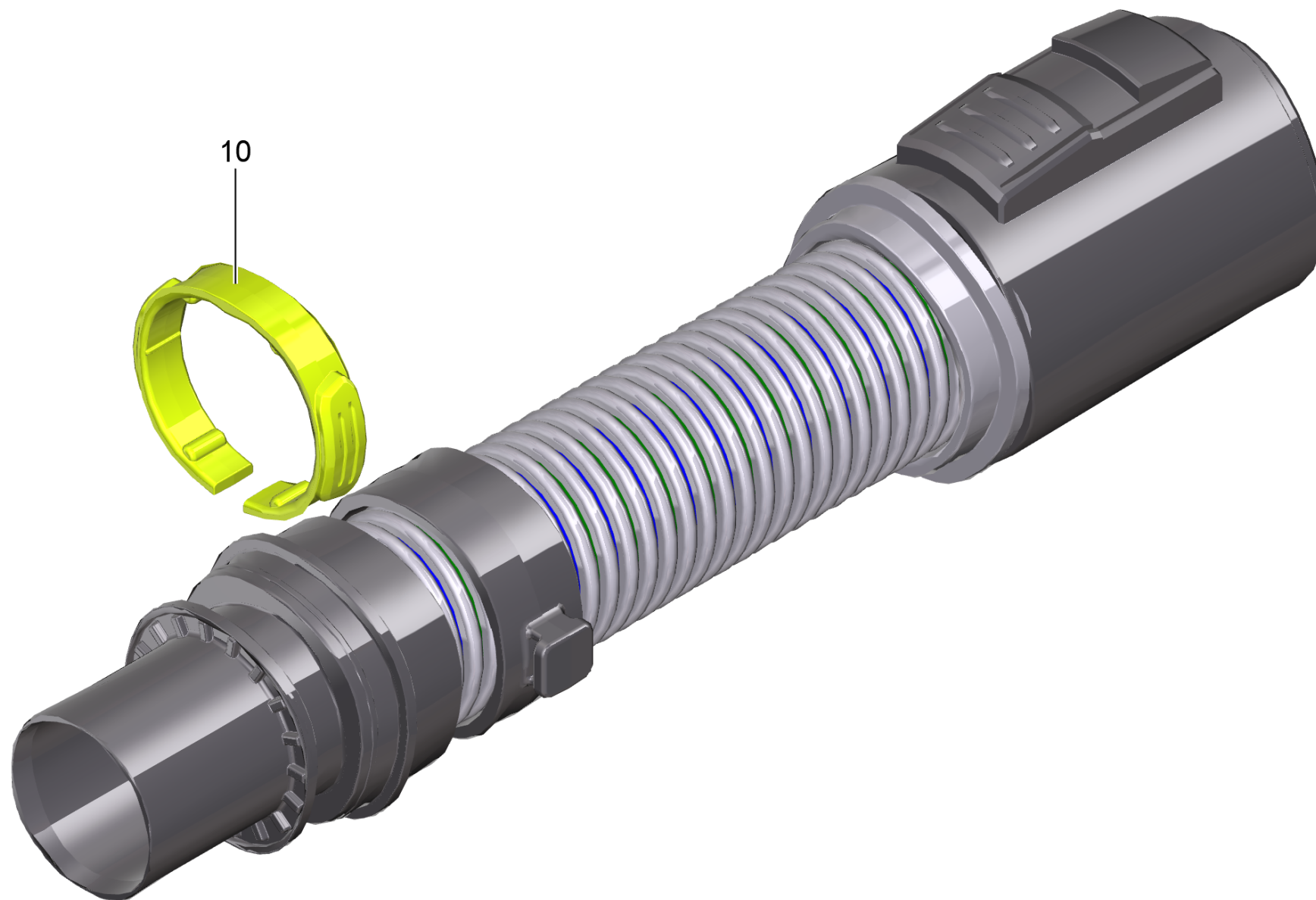
WD 5 S V-25/5/22 (YSY) *EU (1.628-350.0)

| POS | Article no. | Description | Quantity | Unit |
|-----|-------------|---|----------|------|
| 84 | 9.047-057.0 | Spring ESD | 1 | PC |
| 154 | 9.047-111.0 | Spring WD | 2 | PC |
| 49 | 9.036-997.0 | Strain relief | 1 | PC |
| 902 | 2.863-221.0 | Suction brush kit WD 2pc. | 1 | PC |
| 4 | 4.440-135.3 | Suction hose complete for replacement 2,2m - without handhold | 1 | PC |
| 4 | 4.440-140.3 | Suction hose complete for replacement AS 3,5m WD 4-6 | 1 | PC |
| 5 | 9.039-339.0 | Suction tube nichtrostender Stahl | 2 | PC |
| 150 | 4.628-021.3 | Tank stainless steel for replacement 25L SBBY- | 1 | PC |
| 904 | 2.863-112.0 | Vacuum kit for power tools WD 2St. | 1 | PC |
| 9 | 2.863-000.0 | Wet and dry nozzle switchable WD/SE | 1 | PC |



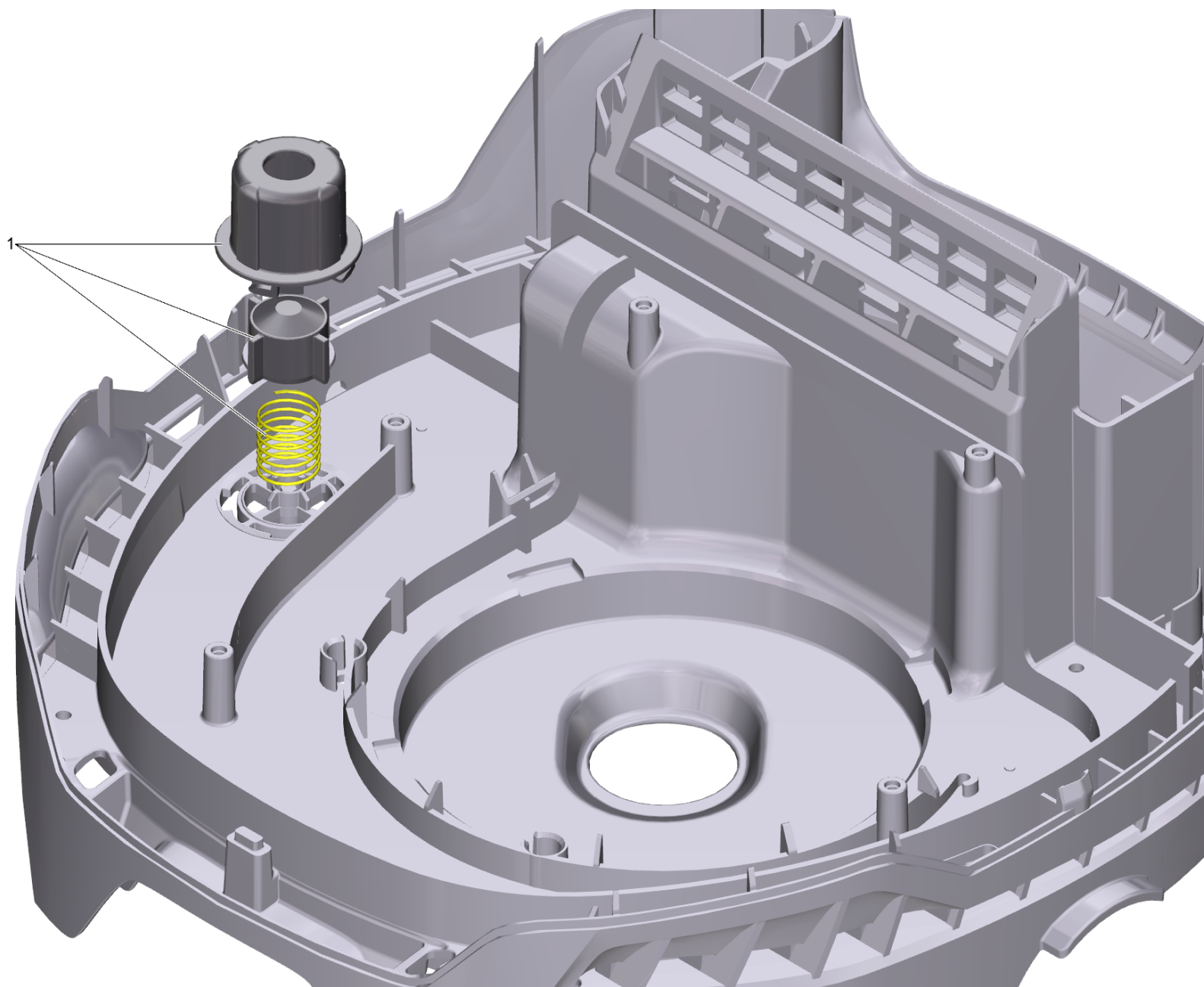
4 Suction hose complete for replacement 2,2m - without handhold (4.440-135.3)

| POS | Article no. | Description | Quantity | Unit |
|------------|--------------------|----------------------------|-----------------|-------------|
| 10 | 6.645-688.0 | Spring washer suction hose | 1 | PC |



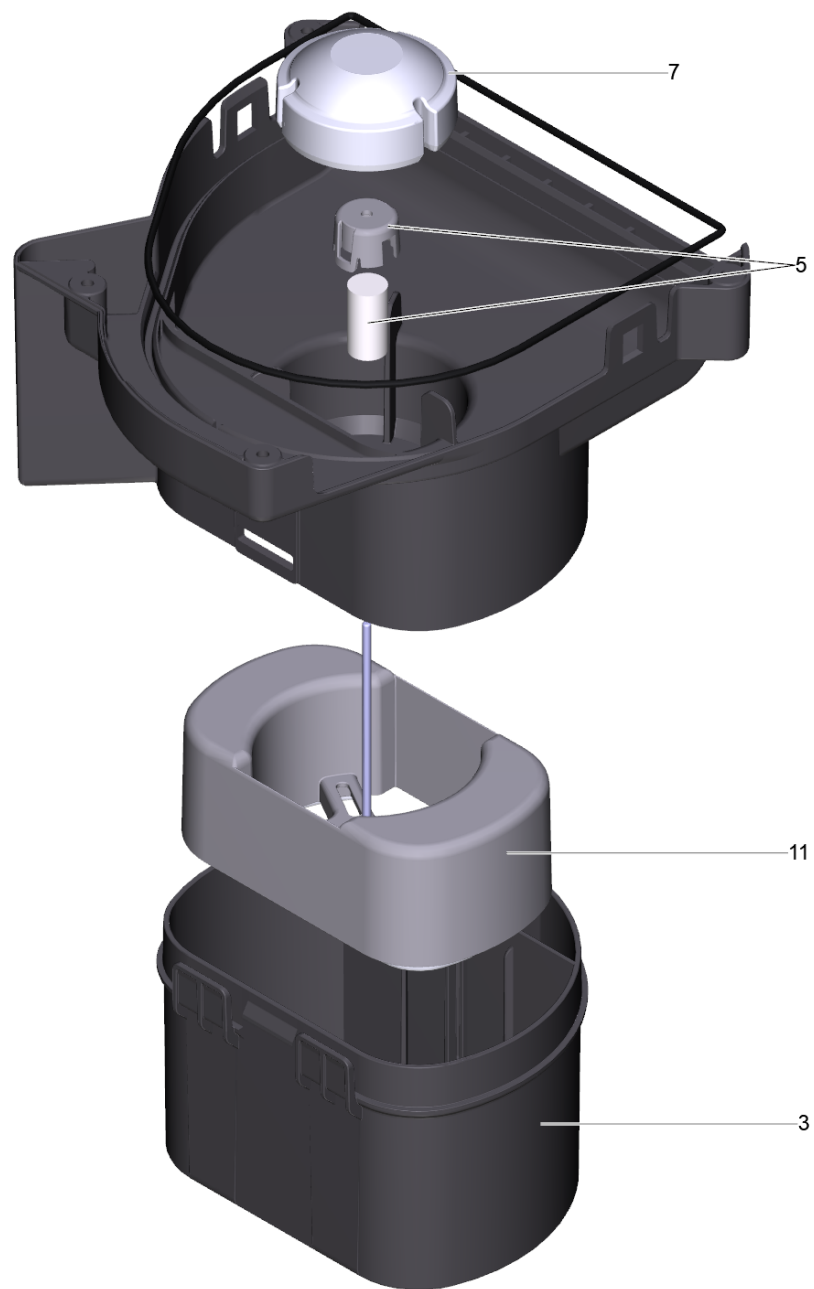
4 Suction hose complete for replacement AS 3,5m WD 4-6 (4.440-140.3)

| POS | Article no. | Description | Quantity | Unit |
|------------|--------------------|----------------------------|-----------------|-------------|
| 10 | 6.645-688.0 | Spring washer suction hose | 1 | PC |



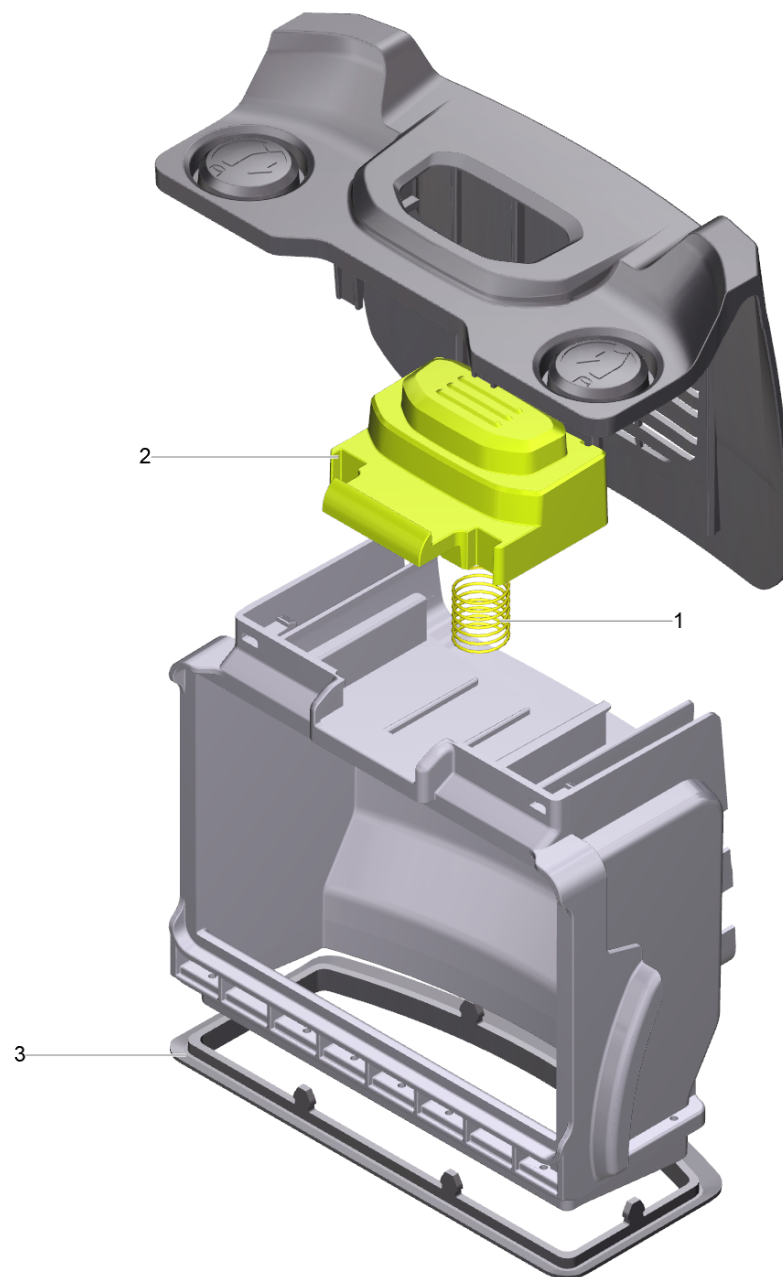
41 Motor bracket complete (9.002-089.0)

| POS | Article no. | Description | Quantity | Unit |
|-----|-------------|----------------------------|----------|------|
| 1 | 9.002-036.0 | Safety valve complete WD 4 | 1 | PC |



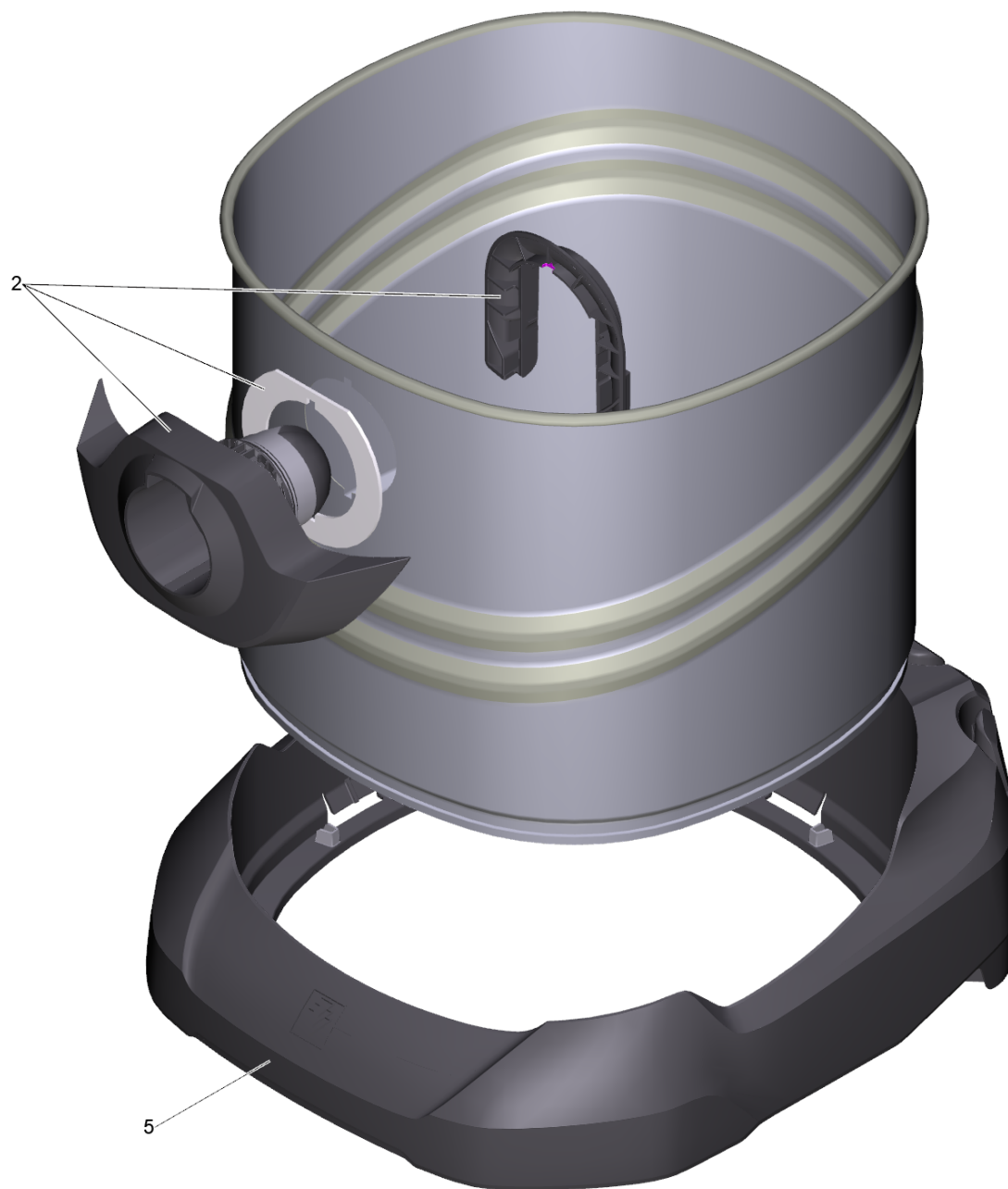
50 Housing float complete

| POS | Article no. | Description | Quantity | Unit |
|------------|--------------------|--------------------------|-----------------|-------------|
| 3 | 9.038-264.0 | Float cage | 1 | PC |
| 11 | 9.002-032.0 | Float complete WD 4 | 1 | PC |
| 7 | 9.038-070.0 | Float valve | 1 | PC |
| 5 | 9.002-034.0 | Seal float complete WD 4 | 1 | PC |



57 Filter box complete (9.002-091.0)

| POS | Article no. | Description | Quantity | Unit |
|------------|--------------------|---------------------|-----------------|-------------|
| 2 | 9.038-283.0 | Fbox button WD5 | 1 | PC |
| 3 | 9.079-080.0 | Fbox Sealing | 1 | PC |
| 1 | 6.330-415.0 | Pressure spring VC6 | 1 | PC |



150 Tank stainless steel for replacement 25L SBBY- (4.628-021.3)

| POS | Article no. | Description | Quantity | Unit |
|------------|--------------------|---------------------------------|-----------------|-------------|
| 5 | 9.002-100.0 | Bumper packaged for replacement | 1 | PC |
| 2 | 2.885-873.0 | Set suction connection packaged | 1 | PC |

904 Vacuum kit for power tools WD 2St. (2.863-112.0)

| POS | Article no. | Description | Quantity | Unit |
|------------|--------------------|--------------------|-----------------|-------------|
| 10 | 9.048-061.0 | Connecting sleeve | 1 | PC |