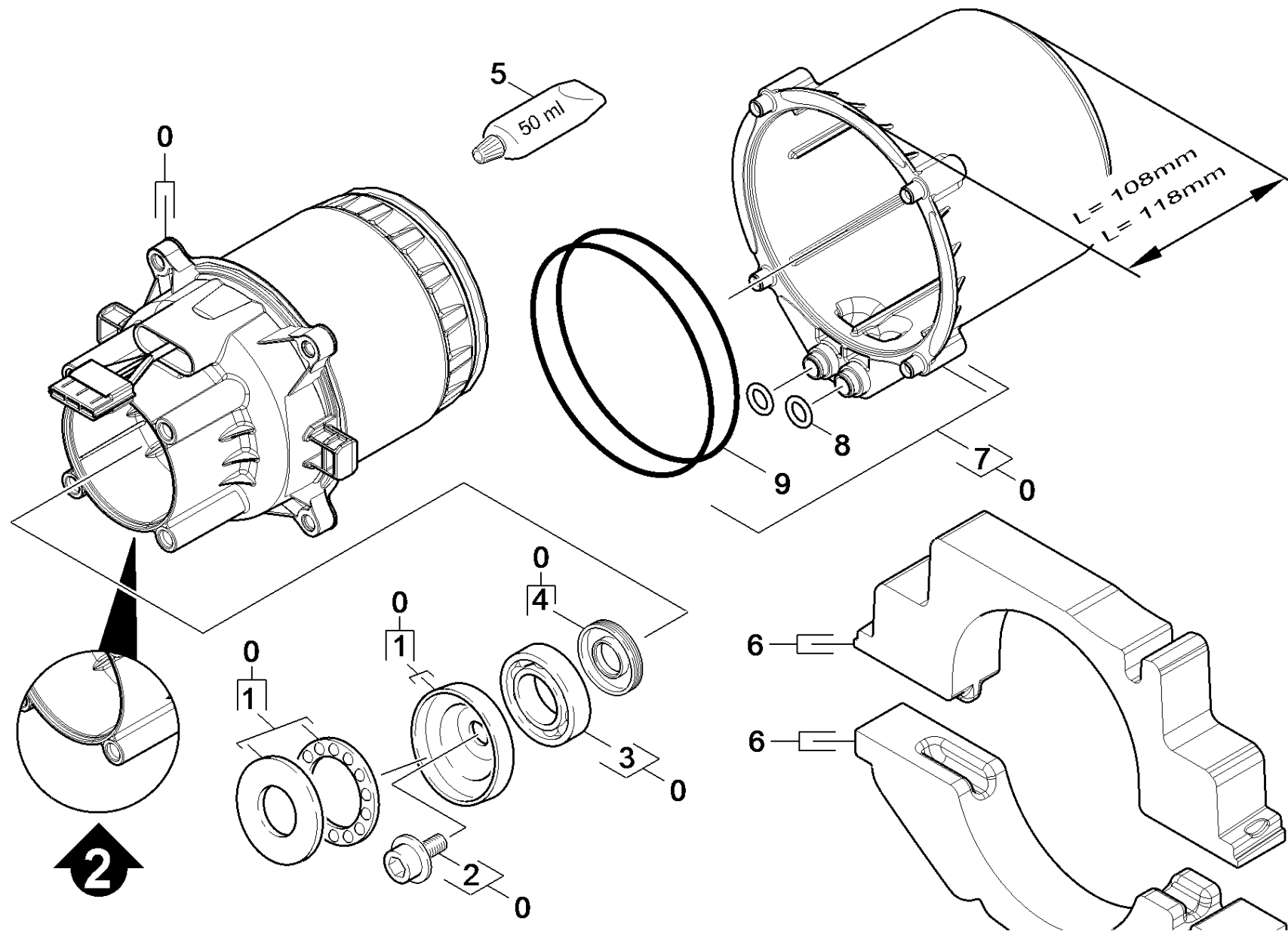


### 32 Motor

Overview technical documents/Home & Garden/High pressure cleaner cold water/Electric motor/K 3/K 3.500 EU (1.180-100.0)/Spare parts list K3.500 Mod.Range/30 Motor/32 Motor



## 32 Motor

Overview technical documents/Home & Garden/High pressure cleaner cold water/Electric motor/K 3/K 3.500 EU (1.180-100.0)/Spare parts list K3.500 Mod.Range/30 Motor/32 Motor

Materiāla Nr.	Nosaukums	Daž. informācija
	Motor H80 CAME R1 spare parts	
Pozīcijas teksts: 1.180-102.0 /-103.0 /-113.0 /-118.0/-120.0		
9.001-976.0	Motor complete	
Pozīcijas teksts: 1.180-100.0 /-101.0 /-104.0 /-105.0 /-106.0 /-107.0 /-108.0 /-109.0 /-110.0 /-115.0 /-116.0 /-119.0		
9.001-705.0	Wobble plate 10°24'	
Pozīcijas teksts: 1.180-100.0 /-101.0 /-104.0 /-105.0 /-106.0 /-107.0 /-108.0 /-109.0 /-110.0 /-115.0 /-116.0 /-119.0		
9.086-205.0	Screw	
7.401-010.0	Lodīšu gultnis 6303 -St DIN 625	
9.078-007.0	Rotary shaft seal 17x35x5	
6.964-092.0	Viskoza eļļa 50 ml	
9.001-799.0	web	
9.001-935.0	Set motor cover H70 Wcm	L= 108mm
9.001-918.0	Motora vāks	L= 118mm
9.080-455.0	Seal 10x2,8	
9.080-453.0	O-Ring seal 95x6	