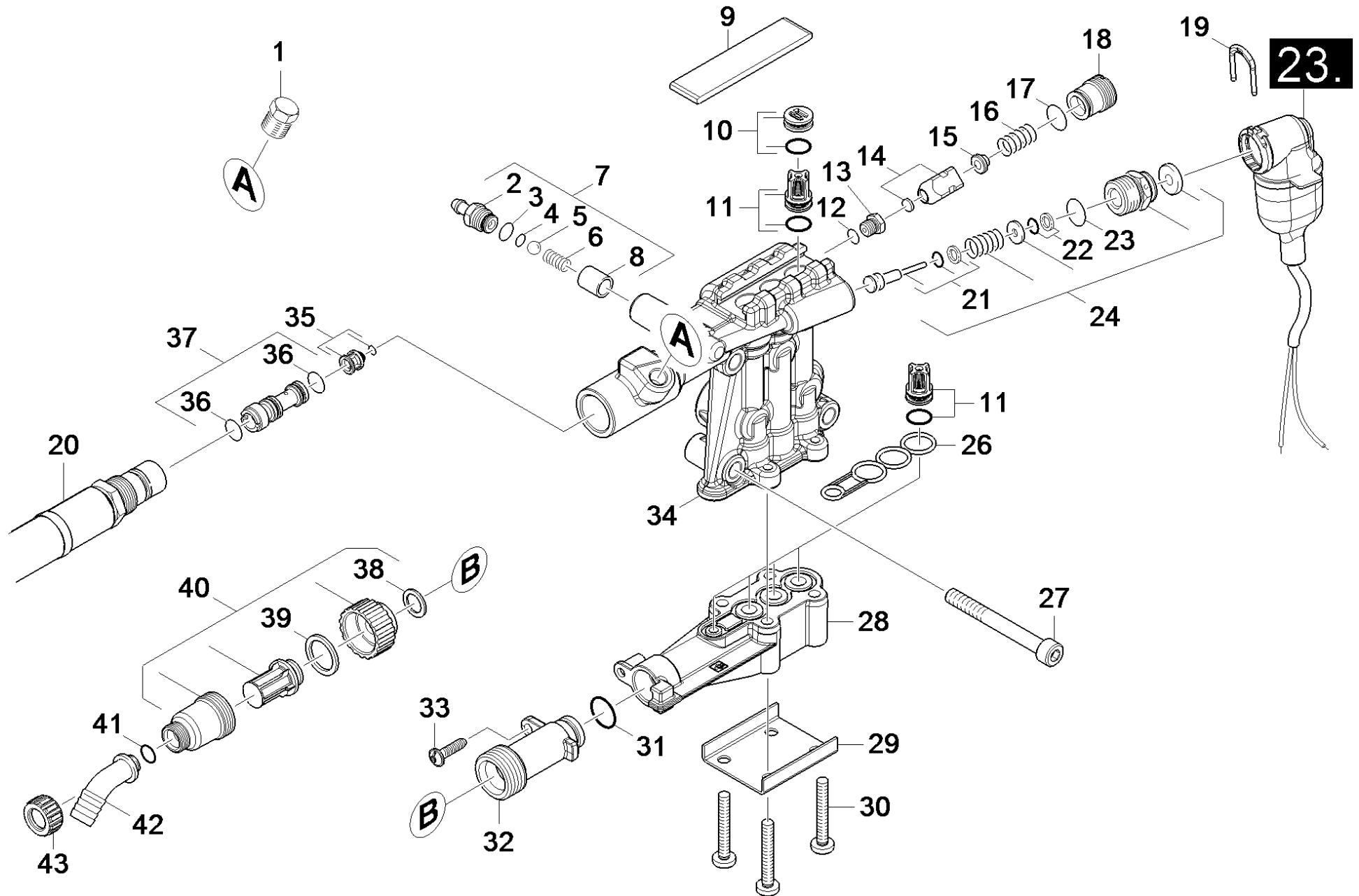


21 Cylinder head

Professional \ High pressure cleaner hotwater \ Electric motor \ HDS 2.3/12 C Ed \ Spare parts list HDS 2.3/12 C Ed \ Pump set \ Cylinder head



21 Cylinder head

Professional \ High pressure cleaner hotwater \ Electric motor \ HDS 2.3/12 C Ed \ Spare parts list HDS 2.3/12 C Ed \ Pump set \ Cylinder head



POS	Article no.	Description	Quantity	Unit	Foot note text
34	4.550-999.3	Cylinder head complete only for replacem	1	PC	
27	7.306-106.0	Cylinder head screw M8x70 -8.8-A2E ISO4	4	PC	
10	4.132-007.0	Drain plug only for replacement	3	PC	
6	5.332-258.0	Helical spring	1	PC	
16	5.332-414.0	Helical spring	1	PC	
20	6.393-085.0	Hose assembly DN8 40MPa 0,302m	1	PC	
42	5.443-285.0	Hose stem	1	PC	
2	5.443-448.0	Nipple chemistry	1	PC	
37	4.769-032.0	Nozzle insert	1	PC	
43	5.310-167.0	Nut G 3/4"	1	PC	
4	6.363-597.0	O-Ring seal 5,28 x 1,78	1	PC	
12	6.362-703.0	O-Ring seal 6,0x1,5-NBR 70	1	PC	
3	6.362-451.0	O-Ring seal 8,0 x 1,0	1	PC	
23	6.362-528.0	O-Ring seal 9,5 X 2,0	1	PC	
36	6.362-384.0	O-Ring seal 9x1,5 - NBR 70	2	PC	
17	6.362-169.0	O-Ring seal 12,0 X 2,0	1	PC	
41	6.362-078.0	O-Ring seal 13,3x2,4	1	PC	
31	6.362-481.0	O-Ring seal 14,0 x 2,0 NBR 80	1	PC	
22	6.363-074.0	O-Ring seal complete	1	PC	
21	4.553-204.0	Piston complete only for replacement	1	PC	
9	5.003-062.0	Plate	1	PC	
29	5.005-314.0	Plate suction cover	1	PC	
26	5.365-284.0	Profile gasket	1	PC	
100	2.884-035.0	Pump set	1	PC	
19	5.034-494.0	Retaining bracket	1	PC	
33	7.303-108.0	Screw 5x20 -10.9-R2R (In6Rd)	1	PC	
30	7.306-129.0	Screw M6x40 -8.8-P2R (In6Rd)	4	PC	
1	7.382-274.0	Screw plug R1/8"-CuZn DIN 909	1	PC	
39	5.363-336.0	Seal	1	PC	
38	5.363-545.0	Seal	1	PC	
8	5.110-714.0	Sleeve	1	PC	
7	2.883-862.0	Spare part set chemistry	1	PC	
24	2.884-165.0	Spare part set control piston	1	PC	

21 Cylinder head

Professional \ High pressure cleaner hotwater \ Electric motor \ HDS 2.3/12 C Ed \ Spare parts list HDS 2.3/12 C Ed \ Pump set \ Cylinder head

KÄRCHER

POS	Article no.	Description	Quantity	Unit	Foot note text
5	7.401-908.0	Sphere 7 G300 -1.4301 DIN 5401	1	PC	
28	5.064-230.0	Suction cover	1	PC	
32	5.402-727.0	Suction nipple	1	PC	
11	2.884-916.0	Valve (3 Stück)	2	PC	SET CONSITSTS OF 3X VALVE
14	4.582-019.0	Valve disc complete	1	PC	
15	5.584-060.0	Valve pin	1	PC	
35	4.584-022.0	Valve pin complete	1	PC	
18	5.583-096.0	Valve screw	1	PC	
13	5.581-231.0	Valve seat	1	PC	
40	4.730-160.0	Water filter complete	1	PC	