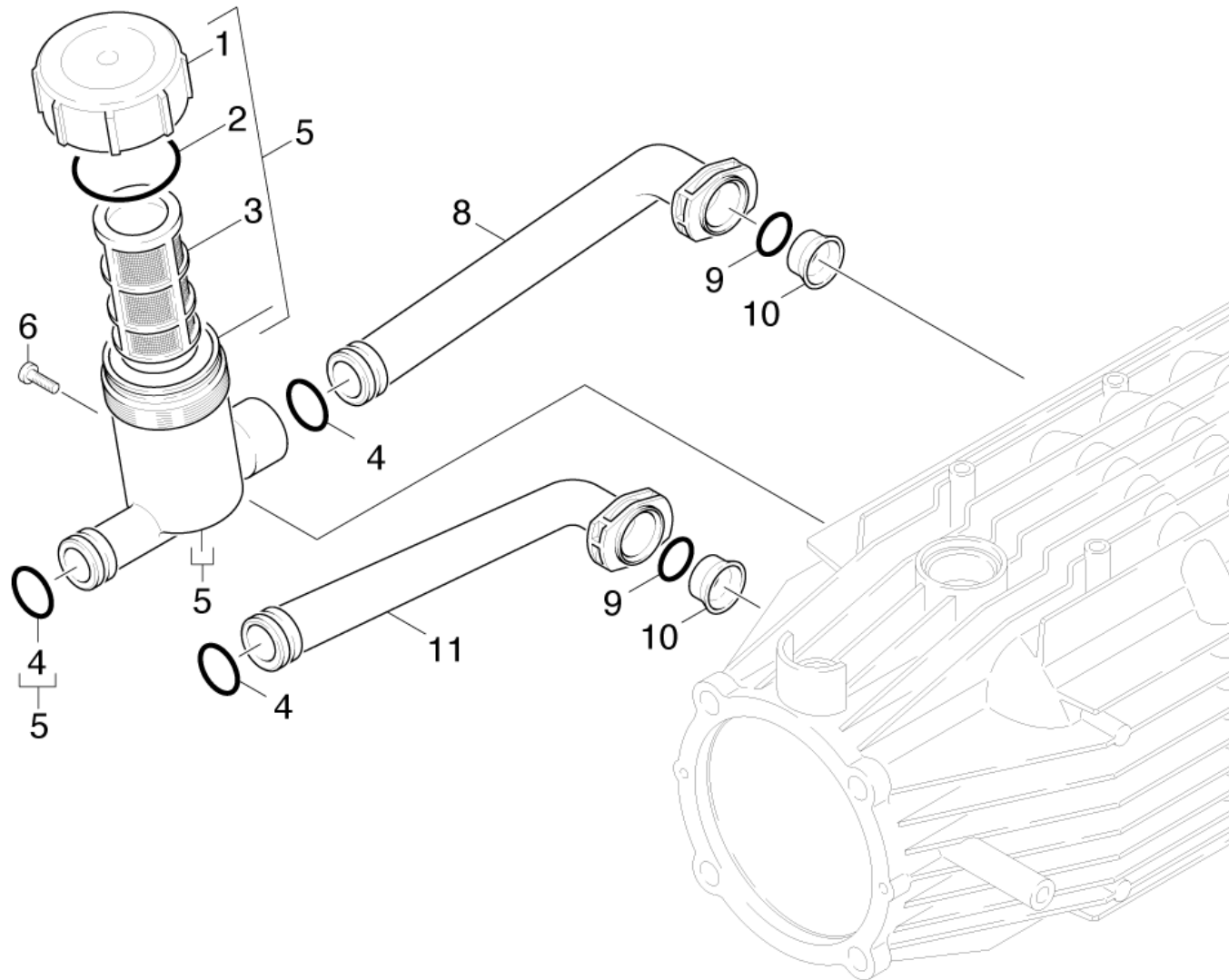


25 Water filter

Professional \ High pressure cleaner cold water \ Electric motor \ HD 10/25 -4S \ Spare parts list HD 10/25 S \ Pump set \ Water filter



25 Water filter

Professional \ High pressure cleaner cold water \ Electric motor \ HD 10/25 -4S \ Spare parts list HD 10/25 S \ Pump set \ Water filter

KÄRCHER

POS	Article no.	Description	Quantity	Unit
1	5.064-107.0	Cover	1.000	ST
2	5.363-613.0	Seal	1.000	ST
3	6.414-681.0	Filter cartridge	1.000	ST
4	6.362-686.0	O-Ring seal 20,0 X 3,0	3.000	ST
5	4.730-161.0	Filter complete	1.000	ST
6	6.303-153.0	Screw M5x15-ST-R2R (IN6RD)	1.000	ST
8	5.427-307.0	Manifold	1.000	ST
9	6.362-579.0	O-Ring seal 17,5 X 3,5	2.000	ST
10	5.110-341.0	Sleeve	2.000	ST
11	5.427-298.0	Manifold short	1.000	ST