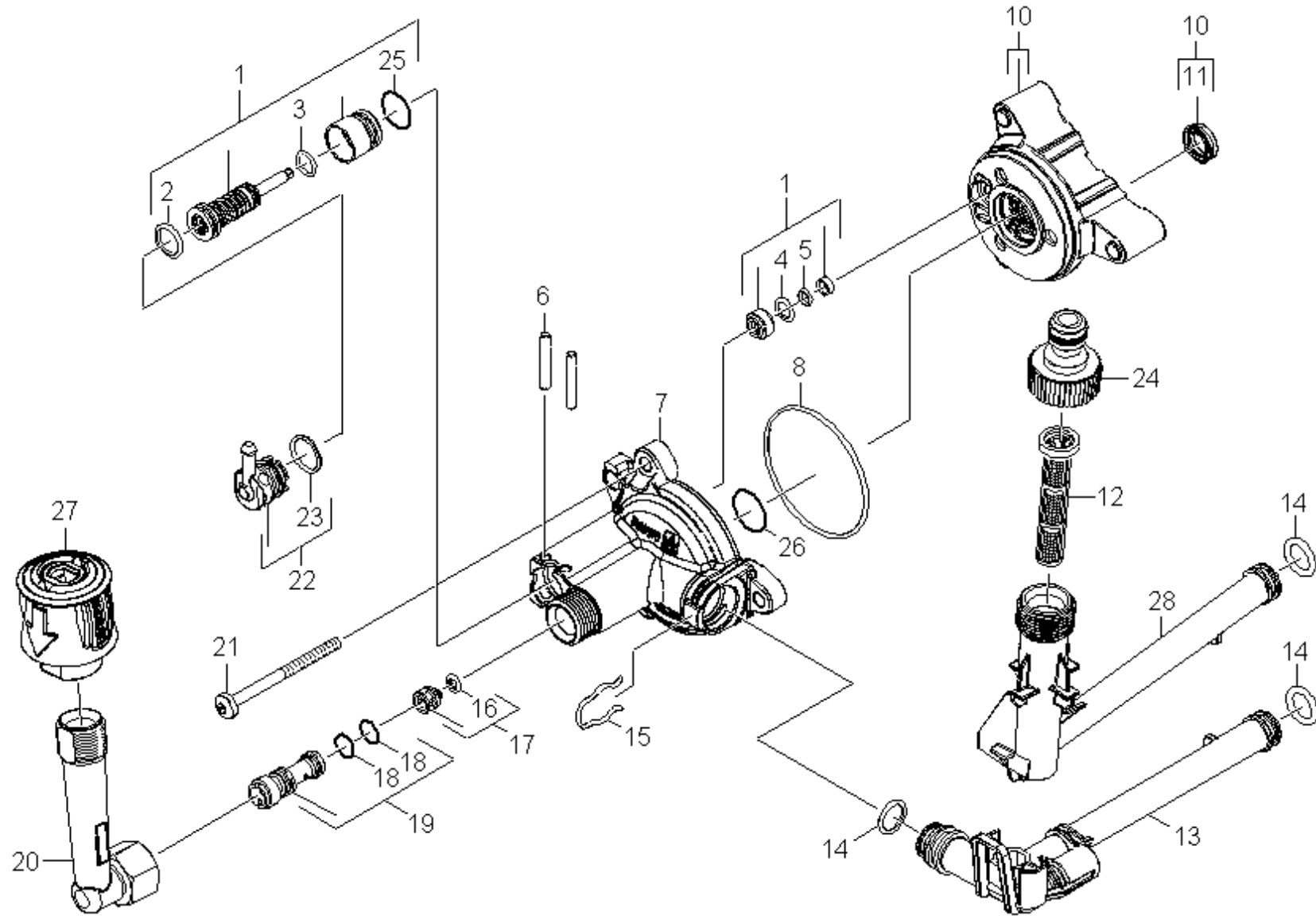


21 Cylinder head

Home and Garden \ High pressure cleaner cold water \ Electric motor \ K 6 \ K 6.260 *EU \ Spare parts list K6.250 / K6.260 WCM \ Pump set \ Cylinder head



21 Cylinder head

Home and Garden \ High pressure cleaner cold water \ Electric motor \ K 6 \ K 6.260 *EU \ Spare parts list K6.250 / K6.260 WCM \ Pump set \ Cylinder head



POS	Article no.	Description	Quantity	Unit
15	5.048-915.0	Clamp	1.000	ST
24	6.465-031.0	Connection 3/4	1.000	ST
10	4.550-893.0	Cylinder head complete	1.000	ST
12	5.731-011.0	Fine filter	1.000	ST
11	6.363-592.0	Grooved ring 12/17x4,9	3.000	ST
27	4.470-041.0	High pressure quick-fitting pipe union A	1.000	ST
7	5.062-149.0	Housing	1.000	ST
19	4.769-035.0	Nozzle insert	1.000	ST
	Item text1: 1.167-124.0			
19	4.769-034.0	Nozzle insert only for replacement	1.000	ST
	Item text1: 1.167-120.0 /-121.0 /-122.0 /-123.0			
	Item text2: /-400.0 /-401.0 /-402.0			
16	6.363-613.0	O-Ring seal 4 x 2 -NBR90	1.000	ST
5	6.363-606.0	O-Ring seal 4,7 x 1,9 -NBR70	1.000	ST
4	6.362-101.0	O-Ring seal 8 X 2	1.000	ST
3	6.363-614.0	O-Ring seal 9 x 2 -NBR90	1.000	ST
18	6.362-384.0	O-Ring seal 9x1,5 - NBR 70	2.000	ST
14	6.363-610.0	O-Ring seal 13 x 3 -NBR	3.000	ST
2	6.362-381.0	O-Ring seal 13x2 - NBR 70	1.000	ST
23	6.362-427.0	O-Ring seal 15,0x2,0	1.000	ST
25	6.362-030.0	O-Ring seal 15x2 90 Shore IRHD	1.000	ST
26	6.362-562.0	O-Ring seal 21,95X 1,78-NBR 90	1.000	ST
8	6.363-616.0	O-Ring seal 60,0x2,0 -NBR70	1.000	ST
20	9.002-524.0	Output complete K7	1.000	ST
6	5.314-150.0	Pin	2.000	ST
22	4.580-702.0	Plug complete	1.000	ST
21	7.306-268.0	Screw M6x70 -8.8-R3R (In6Rd)	3.000	ST
1	2.885-186.0	Spare parts set excess-current	1.000	ST
13	5.443-643.0	Tube barrel recoil	1.000	ST
28	5.443-644.0	Tube intake	1.000	ST
17	4.584-022.0	Valve pin complete	1.000	ST