

Spare parts list

(1.667-291.0) NT 65/2 Ap *EU

Table of contents

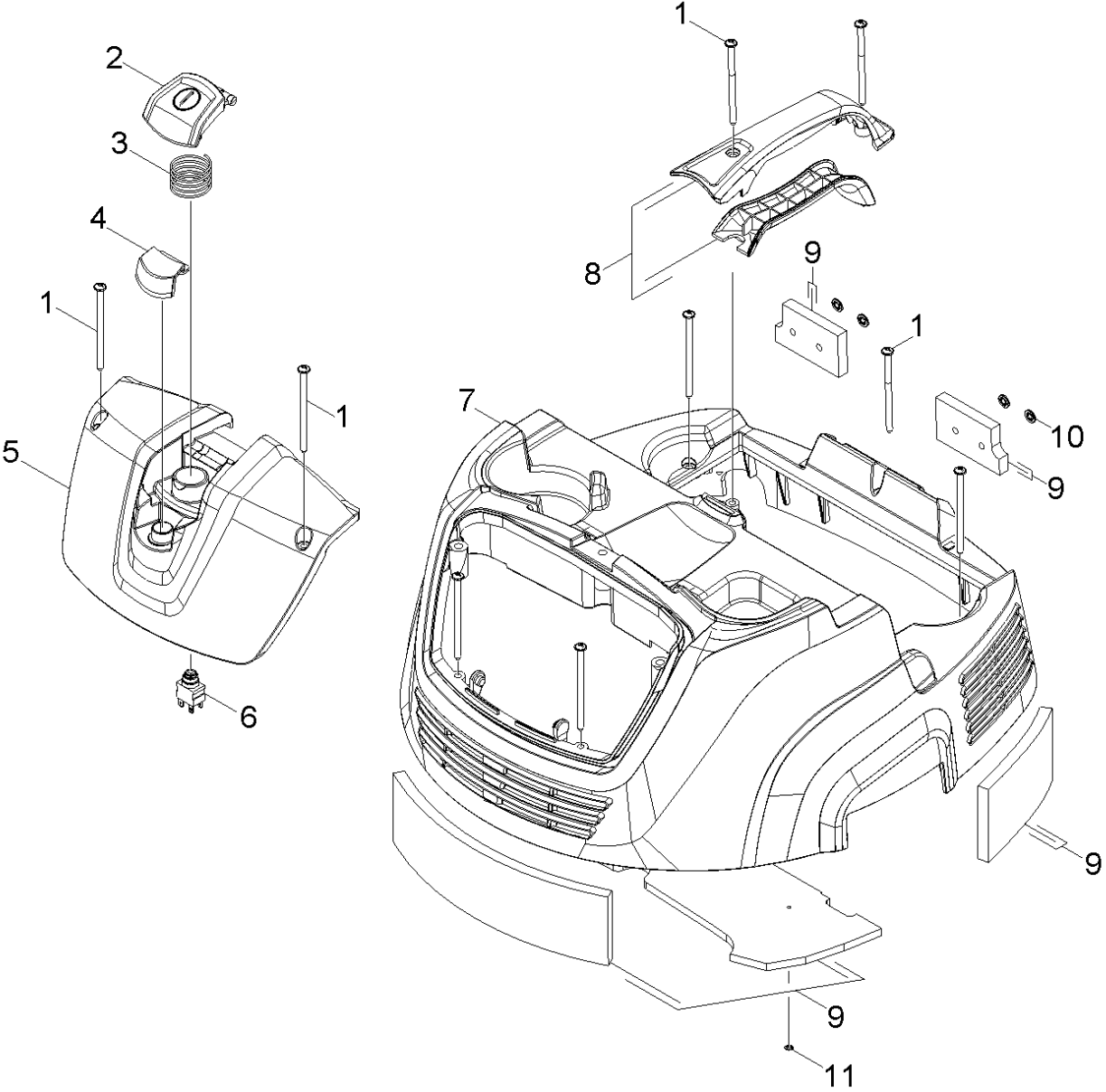
NT 65/2 Ap *EU (1.667-291.0)	3
10 Spare parts list NT 65/2 Ap *EU (5.971-957.0)	4
10 Cover	5
20 Vacuum motor	7
14 Housing base plate complete (4.605-125.0)	9
30 Filter	11
40 Tank individual parts	13
1 Tank complete for replacement 65l (4.071-653.0)	15
50 Accessories	17
11 Floor tool packaged basalt grey DN40 (6.907-408.0)	19
50 Accessories	20
901 Suction hose NT DN40 4m (2.889-138.0)	22
9000 Repair set NW40 (2.889-150.0)	25
902 Floor tool packaged NW40 360mm (2.889-153.0)	27
10 Assembly group holder rubber lips (4.862-020.0)	29
20 Assembly group holder brush strips (4.862-017.0)	31
908 Extension hose NT DN40 2.5m (2.889-146.0)	33
60 Add-on kit omnibus set	35
70 Add-on kit nonconducting media	37
900 Accessories car cleaning set DN35 (2.862-166.0)	39

NT 65/2 Ap *EU (1.667-291.0)

POS	Article no.	Description	Quantity	Unit
900	2.862-166.0	Accessories car cleaning set DN35	1	PC
10	5.971-957.0	Spare parts list NT 65/2 Ap *EU	1	PC

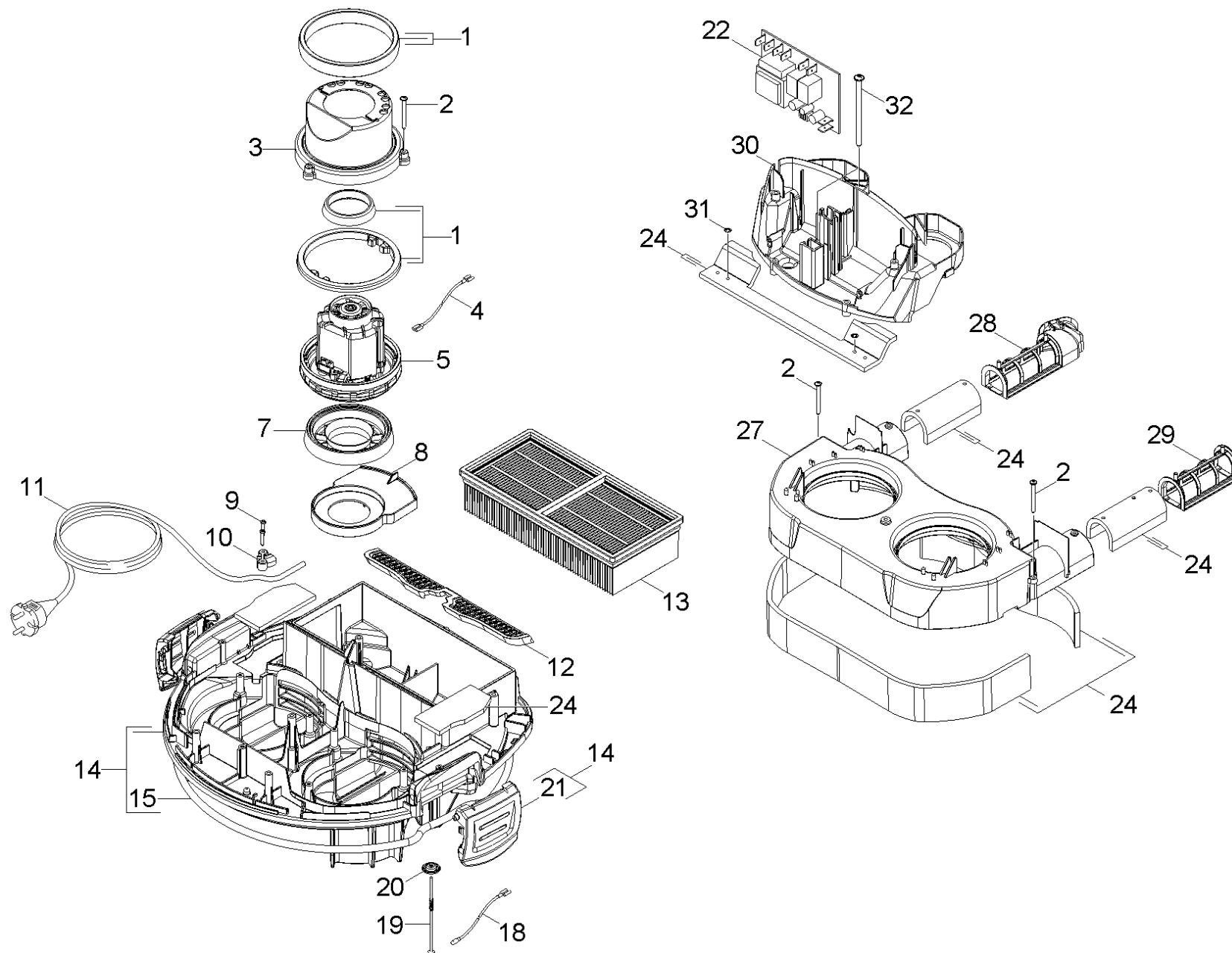
10 Spare parts list NT 65/2 Ap *EU (5.971-957.0)

POS	Description	Quantity	Unit	valid from	valid until
50	Accessories	1	PC		100000
50	Accessories	1	PC	100001	
70	Add-on kit nonconducting media	1	PC		
60	Add-on kit omnibus set	1	PC		
10	Cover	1	PC		
30	Filter	1	PC		
40	Tank individual parts	1	PC		
20	Vacuum motor	1	PC		



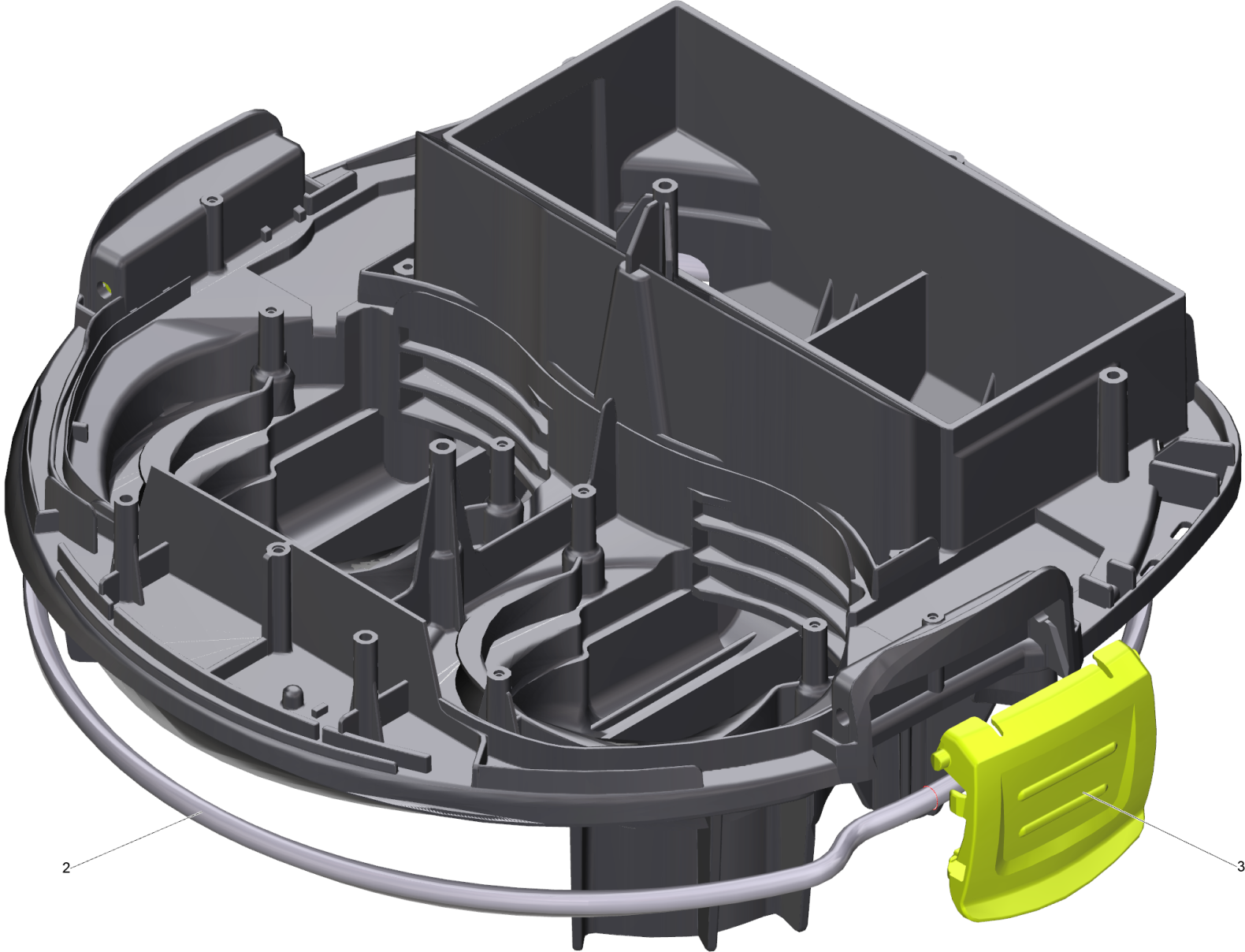
10 Cover

POS	Article no.	Description	Quantity	Unit
5	5.841-509.3	Control panel	1	PC
7	5.069-270.0	Cover	1	PC
4	5.033-795.3	Covering cap	1	PC
8	4.322-014.0	Handhold set Ap	1	PC
9	2.286-002.0	Insulating mat set cover	1	PC
11	6.343-145.0	Lock washer 5	2	PC
2	5.324-123.3	Pushbutton	1	PC
10	6.343-169.0	Quick-fastener	4	PC
1	7.303-171.0	Screw 5x80 -10.9-R2R (K-In6Rd)	7	PC
3	5.332-523.0	Spring switch	1	PC
6	6.630-465.3	Switch	1	PC



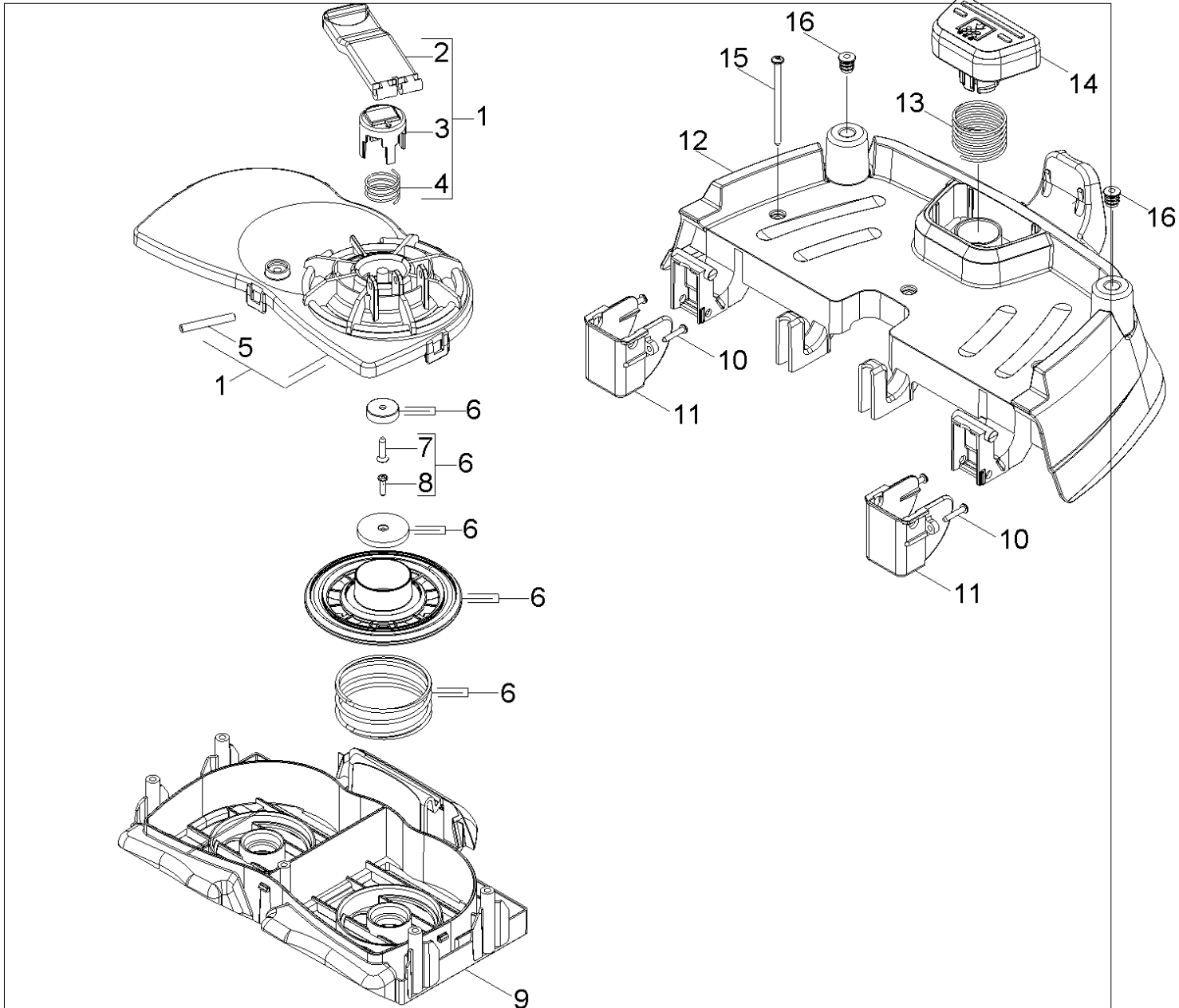
20 Vacuum motor

POS	Article no.	Description	Quantity	Unit
7	5.195-290.0	Bearing blower	2	PC
5	6.490-245.0	Blower motor 230V	2	PC
18	6.649-896.0	Cable probe	2	PC
4	6.650-107.0	Cable turbine	4	PC
15	6.362-857.0	Cord cellular rubber D10	1	PC
10	5.033-553.0	Covering cap power cable	1	PC
22	6.683-053.3	Electronics Ap	1	PC
13	6.904-283.0	Flat pleated filter PE M 0,95 m ²	1	PC
30	5.044-915.3	Holder electronics	1	PC
29	5.394-867.0	Holder insulating mat	1	PC
28	5.394-894.0	Holder insulating mat right	1	PC
27	5.605-353.0	Housing air circulation	1	PC
14	4.605-125.0	Housing base plate complete	1	PC
3	5.605-340.0	Housing turbine	2	PC
8	5.401-322.0	Insert housing base plate	2	PC
24	2.286-004.0	Insulating mat air circulation set	1	PC
21	5.033-434.3	Locking clip	2	PC
31	6.343-145.0	Lock washer 5	2	PC
11	6.650-074.3	Power cable 10m *EU	1	PC
19	5.107-287.0	Probe	2	PC
9	7.303-096.0	Screw 4x22-ST-10.9-R2R (IN6RD)	2	PC
2	7.303-085.0	Screw 4x 35 -10.9-R2R (K-In6Rd)	6	PC
32	7.303-171.0	Screw 5x80 -10.9-R2R (K-In6Rd)	2	PC
12	5.363-729.0	Seal supply air	1	PC
1	2.363-001.0	Seal turbine Set	1	PC
20	6.312-130.0	Washer	2	PC



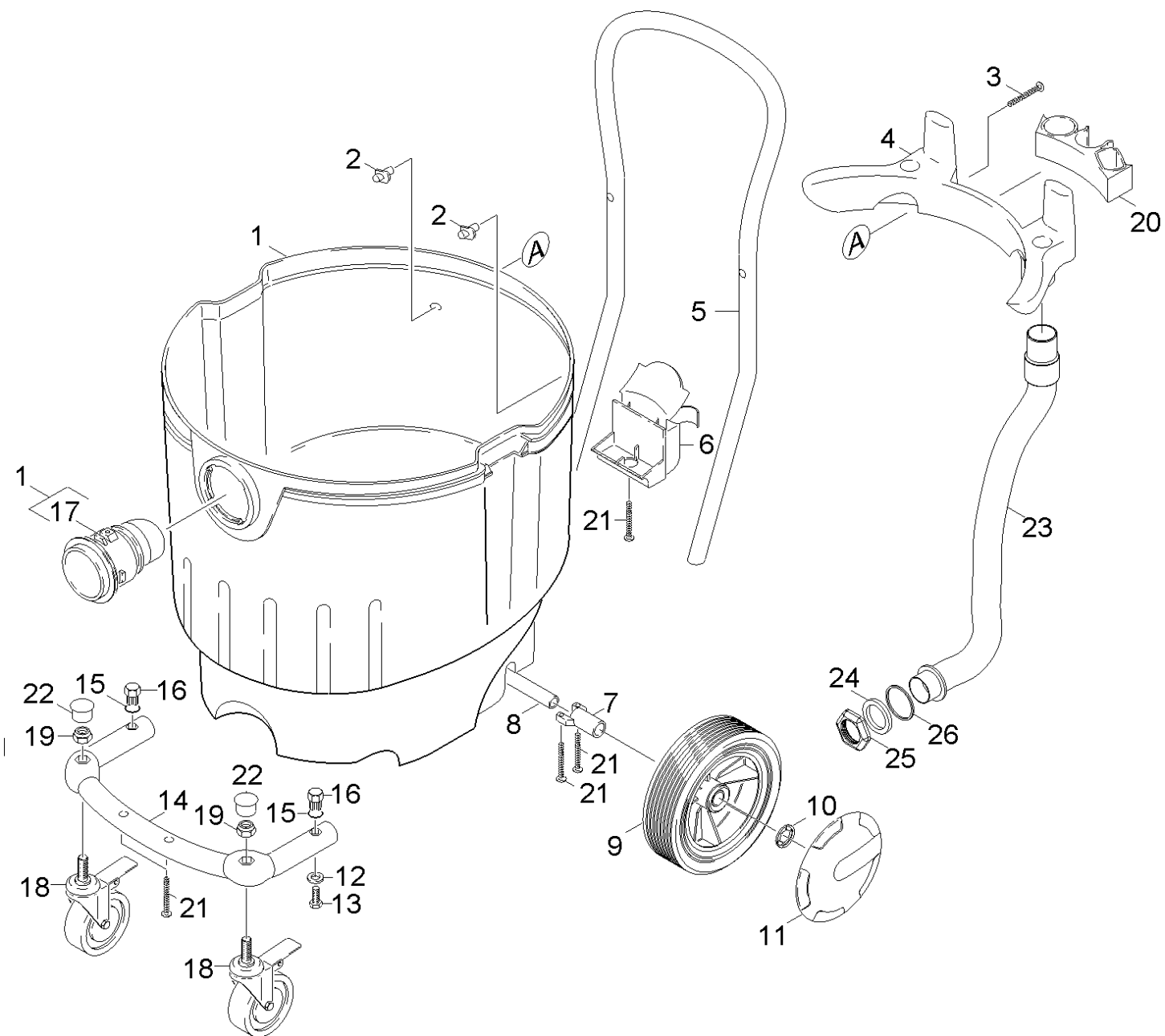
14 Housing base plate complete (4.605-125.0)

POS	Article no.	Description	Quantity	Unit
2	6.362-857.0	Cord cellular rubber D10	1	PC
3	5.033-434.3	Locking clip	2	PC



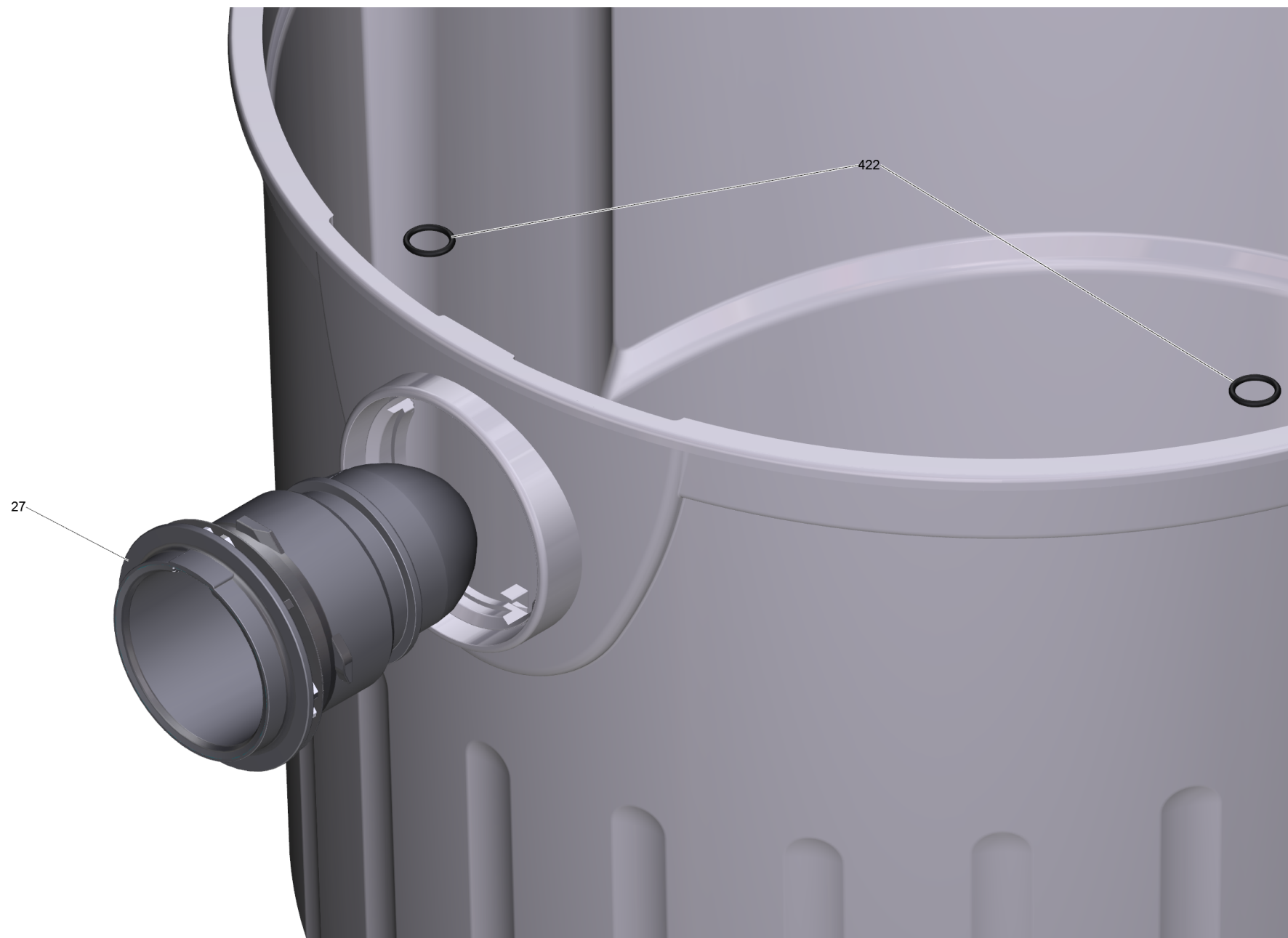
30 Filter

POS	Article no.	Description	Quantity	Unit
7	7.303-128.0	Countersunk screw 5x20 -10.9-R2R (In6Rd)	1	PC
12	5.064-393.3	Cover plate filter	1	PC
11	5.044-976.3	Holder cover filter	2	PC
9	5.605-399.3	Housing backwashing RAL 7037	1	PC
2	5.481-437.0	Lever	1	PC
6	2.653-003.0	Magnet set Ap	1	PC
8	6.303-568.0	Oval head screw with hexalobular socket	1	PC
5	5.314-152.0	Pin D6x45	1	PC
16	6.368-443.0	Plug SLF 13	2	PC
3	5.326-042.3	Push button	1	PC
14	5.324-147.3	Pushbutton yellow	1	PC
10	7.303-096.0	Screw 4x22-ST-10.9-R2R (IN6RD)	4	PC
15	7.303-171.0	Screw 5x80 -10.9-R2R (K-In6Rd)	5	PC
1	4.044-123.0	Set holder magnet	1	PC
13	5.332-490.0	Spring pushbutton	1	PC
4	5.332-457.0	Spring switch	1	PC



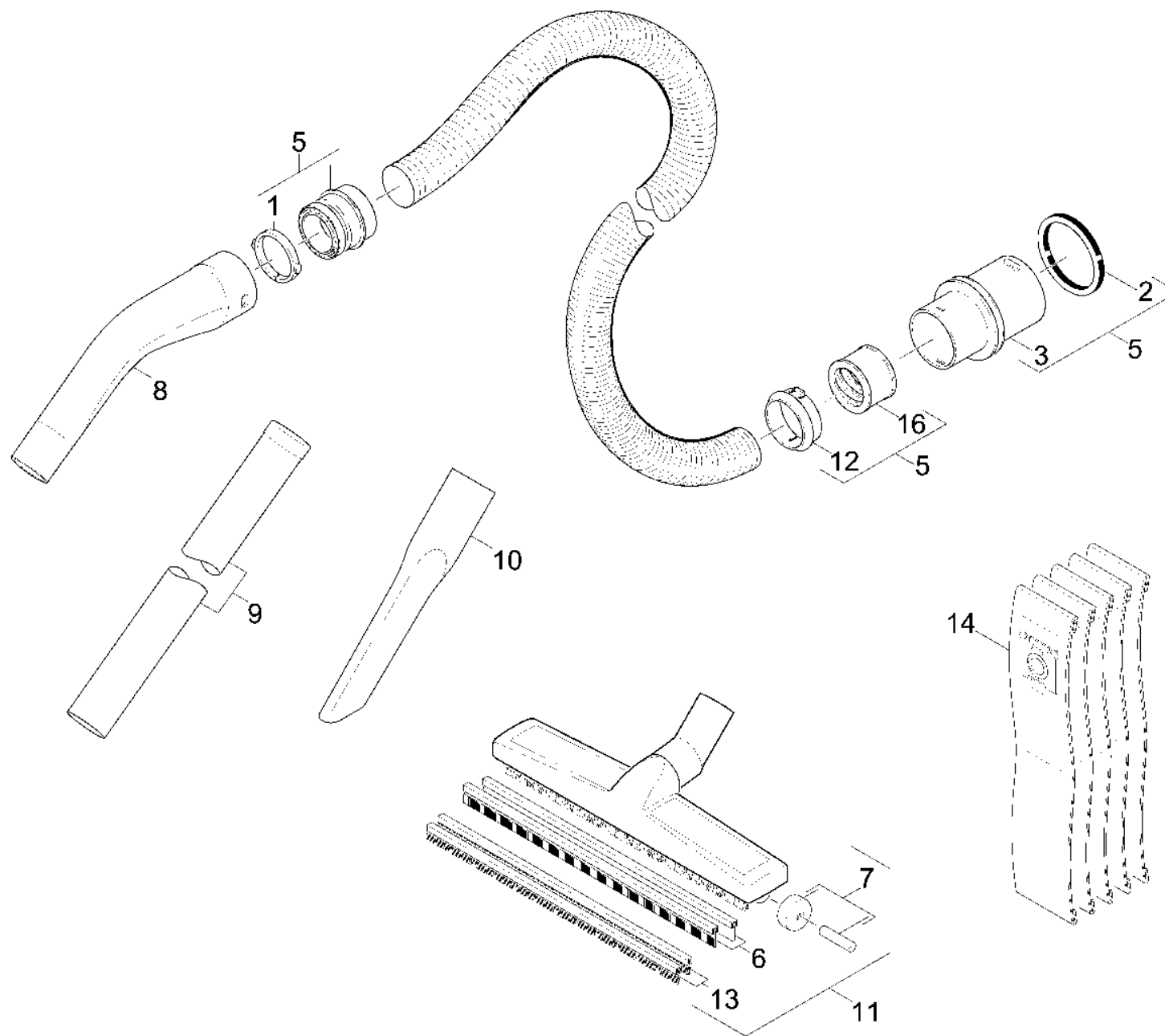
40 Tank individual parts

POS	Article no.	Description	Quantity	Unit	valid from	valid until
8	5.105-367.0	Axle	1	PC		
16	5.110-922.0	Bush M8	2	PC		
18	6.435-384.0	Castor with brake 75	2	PC		
22	5.032-446.0	Covering cap	2	PC		
23	6.391-001.0	Drain hose NW 32	1	PC		
2	5.032-285.0	Fixing	2	PC		
25	5.031-940.0	Hexagon nut	1	PC		
19	7.311-423.0	Hexagon nut M10 -04-A2E DIN 985	2	PC		
20	5.032-014.0	Holder accessories	1	PC		
4	5.032-261.3	Holder accessories large	1	PC		
7	5.032-286.0	Holder axle	2	PC		
6	5.032-015.0	Holder floor nozzle	1	PC		
24	6.363-250.0	Joint ring 32x44	1	PC		
10	6.343-168.0	Lock washer	2	PC		
15	6.362-169.0	O-Ring seal 12,0 X 2,0	2	PC		
5	5.034-658.3	Push rod	1	PC		
14	5.034-659.3	Retaining bracket steering rollers	1	PC		
26	9.411-023.3	Ring	1	PC		
21	7.303-086.0	Screw 5x30 -10.9-R2R (K-In6Rd)	7	PC		
3	7.303-171.0	Screw 5x80 -10.9-R2R (K-In6Rd)	2	PC		
13	6.303-285.0	Screw M 8x 40	2	PC		
17	5.031-602.0	Suction connection	1	PC		100000
17	5.032-144.0	Suction nipple	1	PC	100001	
1	4.071-237.0	Tank complete	1	PC		100000
1	4.071-653.0	Tank complete for replacement 65l	1	PC	100001	
12	7.312-004.0	Washer 8 -200HV-A3E ISO 7089	2	PC		
11	5.064-392.0	Wheel cap grey	2	PC		
9	6.435-196.0	Wheel D 180	2	PC		



1 Tank complete for replacement 65l (4.071-653.0)

POS	Article no.	Description	Quantity	Unit
422	6.362-169.0	O-Ring seal 12,0 X 2,0	2	PC
27	5.032-144.0	Suction nipple	1	PC

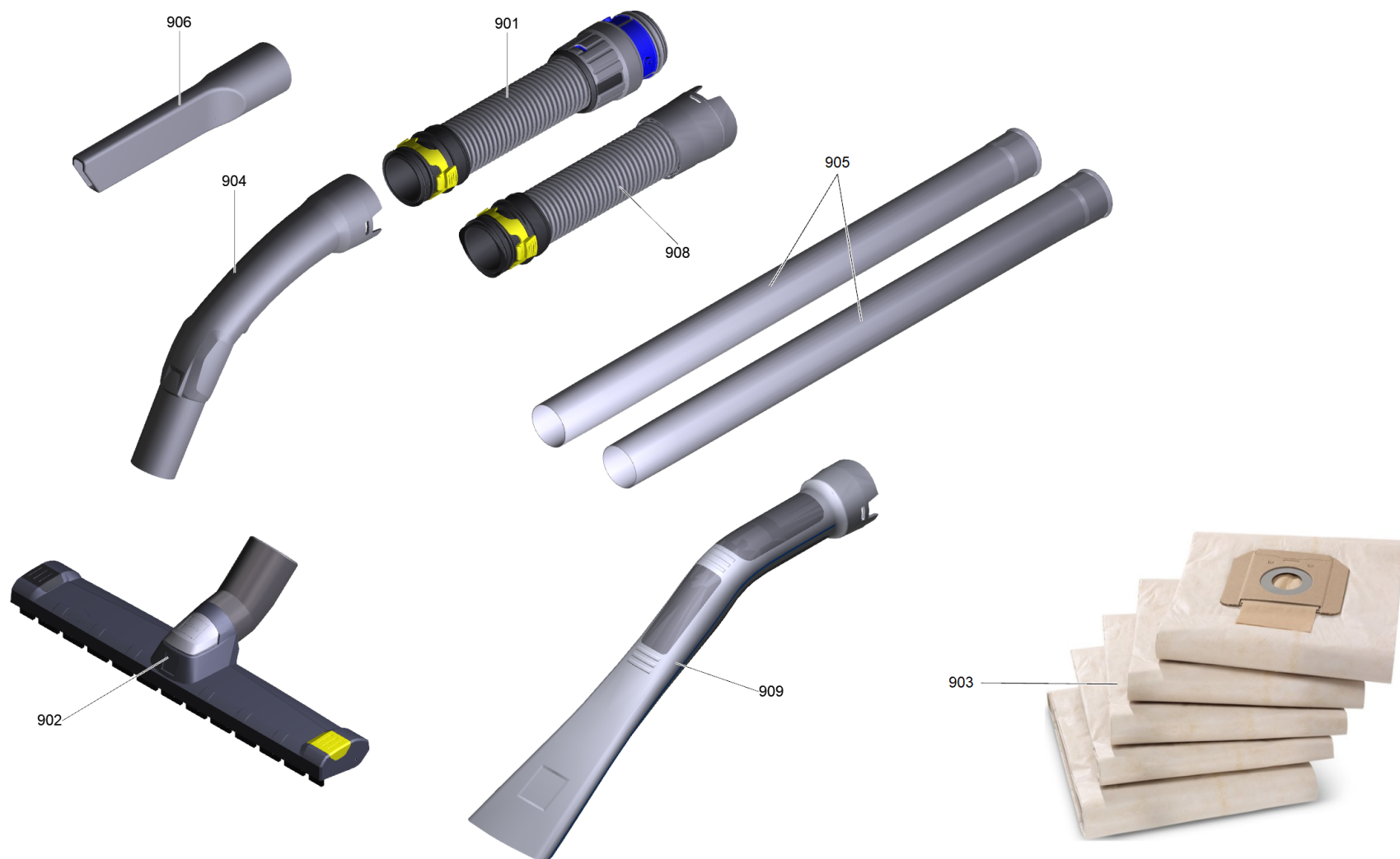


50 Accessories

POS	Article no.	Description	Quantity	Unit
13	6.905-878.0	Brush strips set only for replacement	2	PC
10	5.130-655.0	Crevice nozzle DN 40 300mm 1:50	1	PC
8	5.031-904.0	Elbow	1	PC
11	6.907-408.0	Floor tool packaged basalt grey DN40	1	PC
3	5.443-477.0	Hosebarb DN40	1	PC
2	6.273-009.0	Joint ring EPDM	1	PC
14	6.904-285.0	Paper filtering bag 5x NT	1	PC
7	4.515-342.0	Roller complete with axle	2	PC
6	6.905-877.0	Rubber lip set only for replacement	1	PC
12	6.902-068.0	Snap-in ring	1	PC
5	6.906-321.0	Suction hose NT DN40 4m	1	PC
9	6.900-275.0	Suction tube NT DN40 550mm St	2	PC
1	5.031-905.0	Tension ring C40	2	PC
16	6.902-069.0	Threaded ring	1	PC

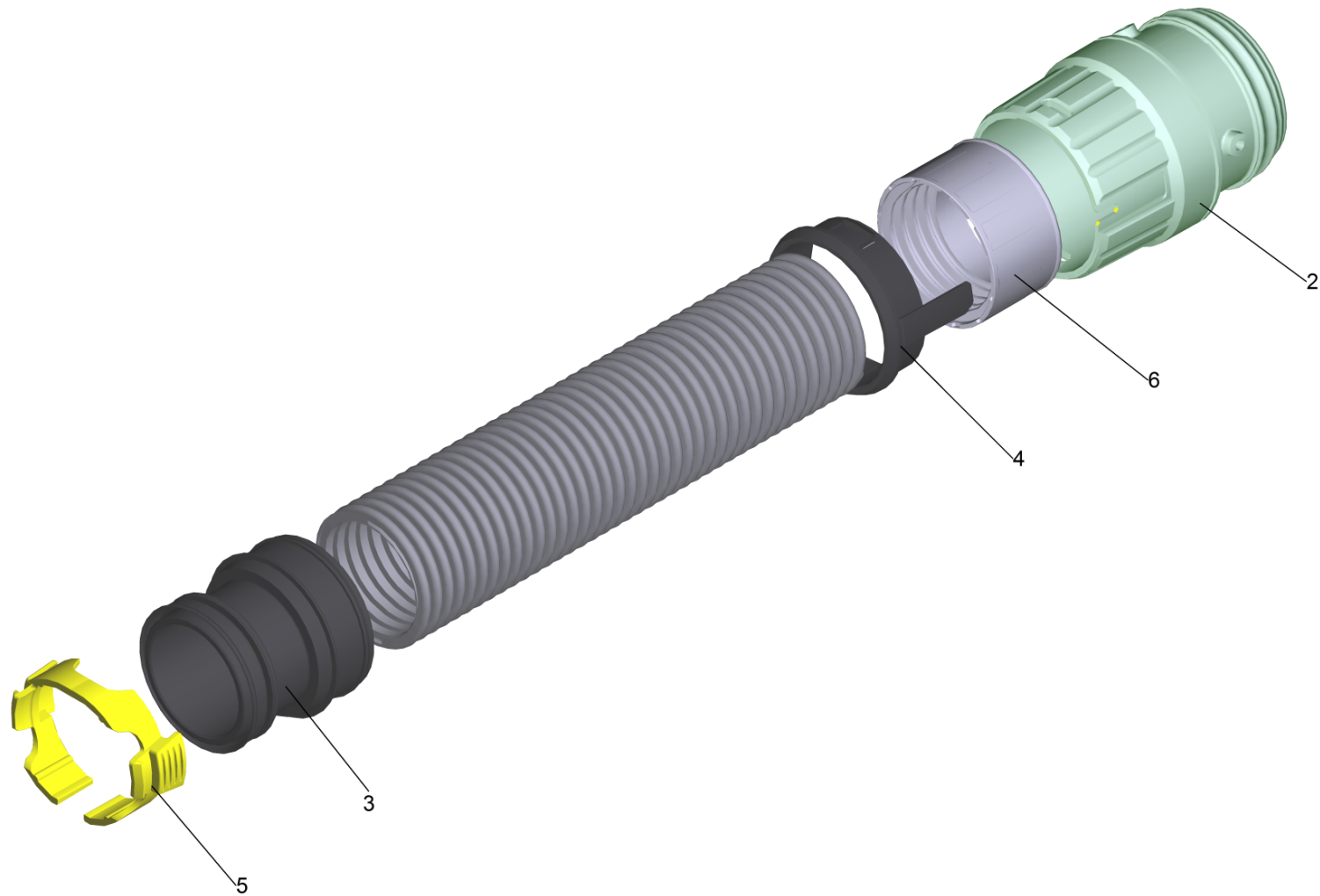
11 Floor tool packaged basalt grey DN40 (6.907-408.0)

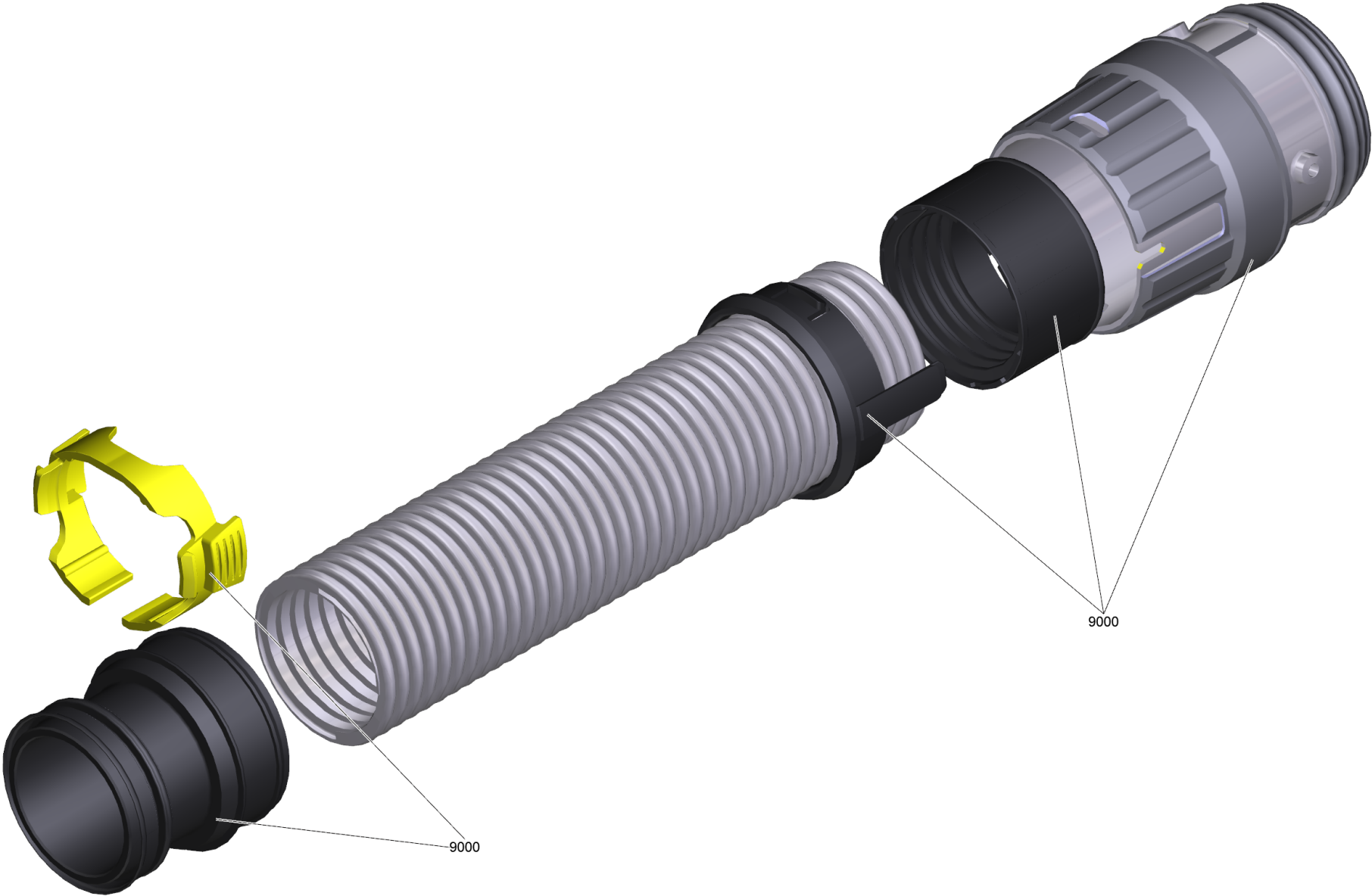
POS	Article no.	Description	Quantity	Unit
30	6.905-878.0	Brush strips set only for replacement	1	PC
10	4.515-342.0	Roller complete with axle	1	PC
20	6.905-877.0	Rubber lip set only for replacement	1	PC



50 Accessories

POS	Article no.	Description	Quantity	Unit
909	2.840-095.0	Car nozzle packaged NW 40	1	PC
906	5.130-655.0	Crevice nozzle DN 40 300mm 1:50	1	PC
904	2.889-171.0	Elbow packaged NW40 1K	1	PC
908	2.889-146.0	Extension hose NT DN40 2.5m	1	PC
902	2.889-153.0	Floor tool packaged NW40 360mm	1	PC
903	6.904-285.0	Paper filtering bag 5x NT	1	PC
901	2.889-138.0	Suction hose NT DN40 4m	1	PC
905	2.889-194.0	Suction tube 2x NT DN40 550mm StSt	1	PC





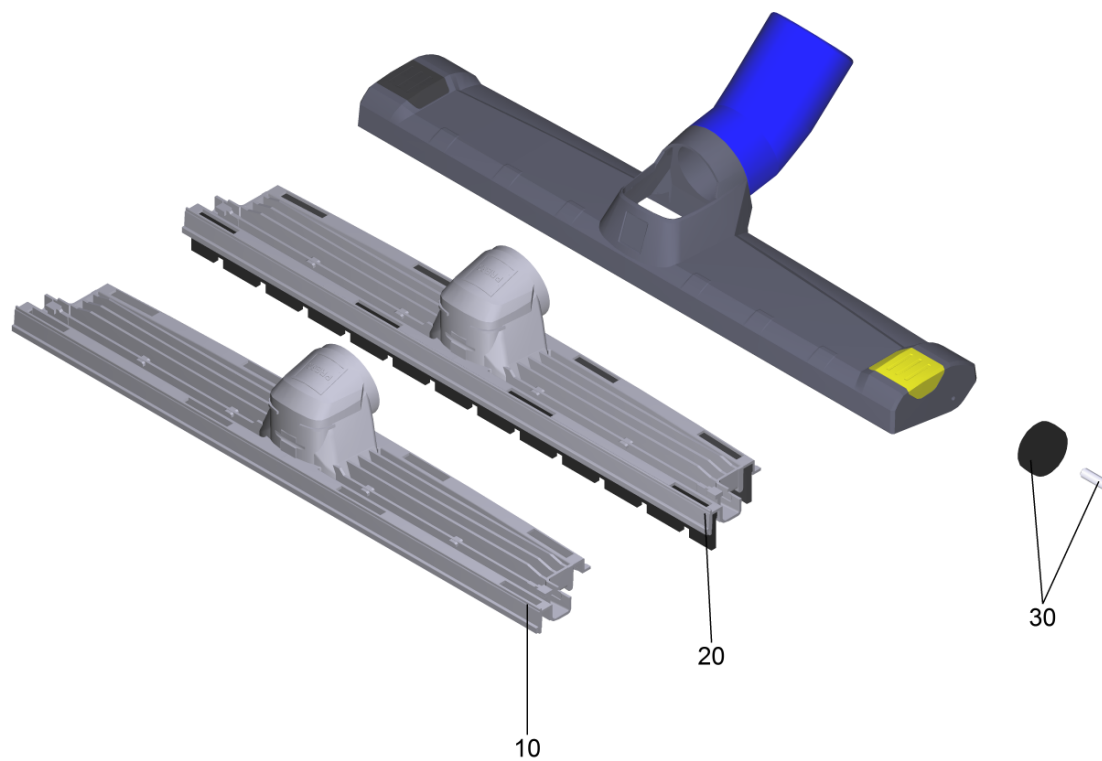
901 Suction hose NT DN40 4m (2.889-138.0)

POS	Article no.	Description	Quantity	Unit
6	5.453-021.0	Joint ring NW40	1	PC
9000	2.889-150.0	Repair set NW40	1	PC
4	5.031-305.0	Snap-in ring anthracite NW40	1	PC
2	5.034-107.0	Suction connection bayonet NW40	1	PC
5	5.031-213.0	Tension ring NW40	1	PC
3	5.406-004.0	Threaded ring NW40	1	PC



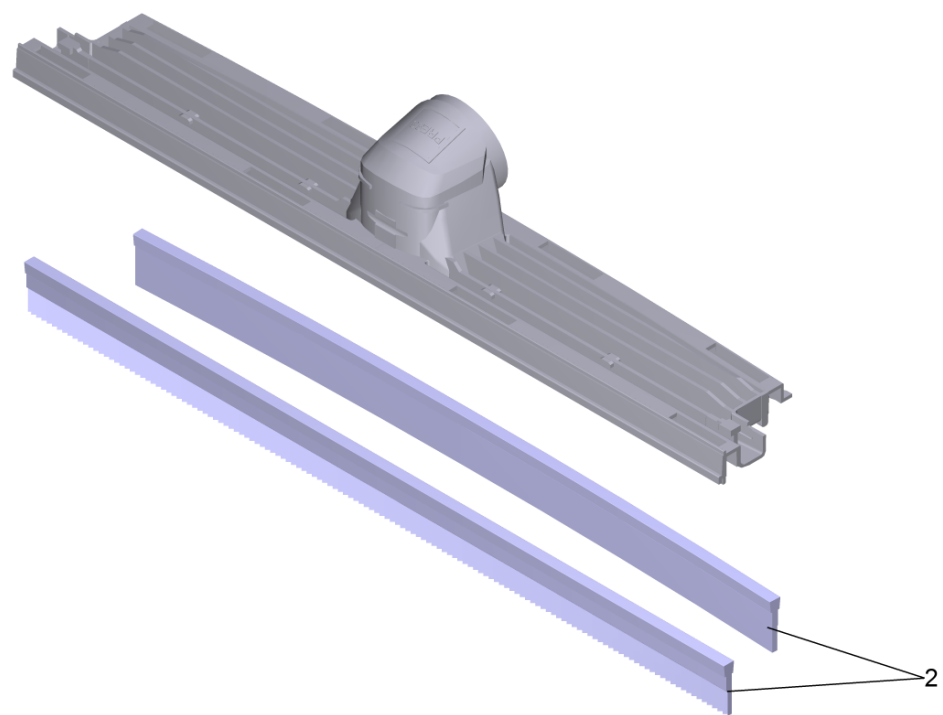
9000 Repair set NW40 (2.889-150.0)

POS	Article no.	Description	Quantity	Unit
5	5.031-213.0	Tension ring NW40	1	PC
3	5.406-006.0	Threaded ring electrically conducting NW	1	PC



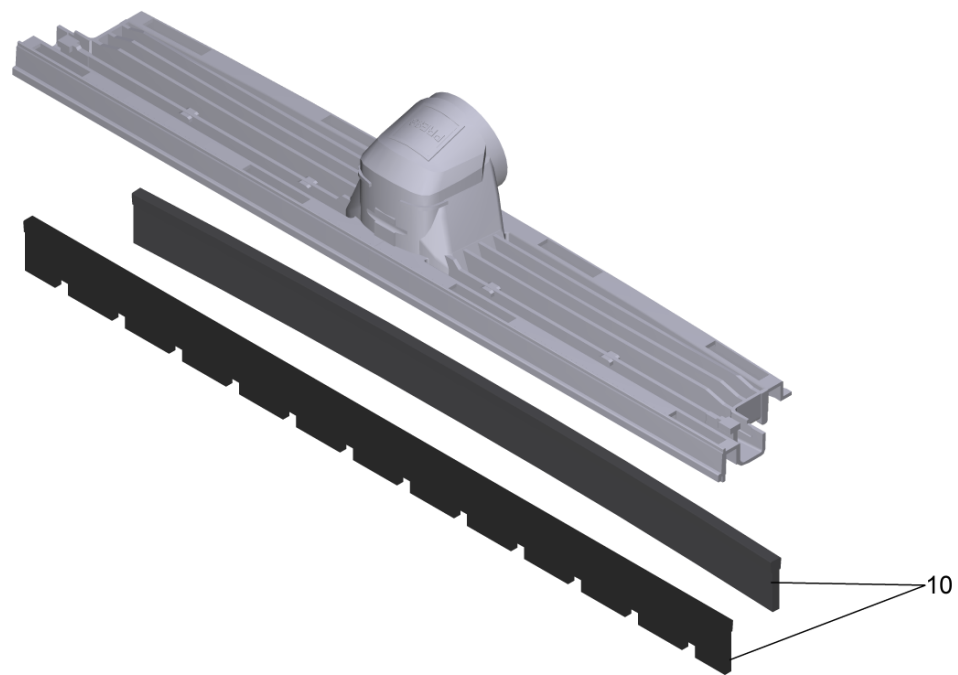
902 Floor tool packaged NW40 360mm (2.889-153.0)

POS	Article no.	Description	Quantity	Unit
20	4.862-017.0	Assembly group holder brush strips	1	PC
10	4.862-020.0	Assembly group holder rubber lips	1	PC
30	4.515-342.0	Roller complete with axle	1	PC



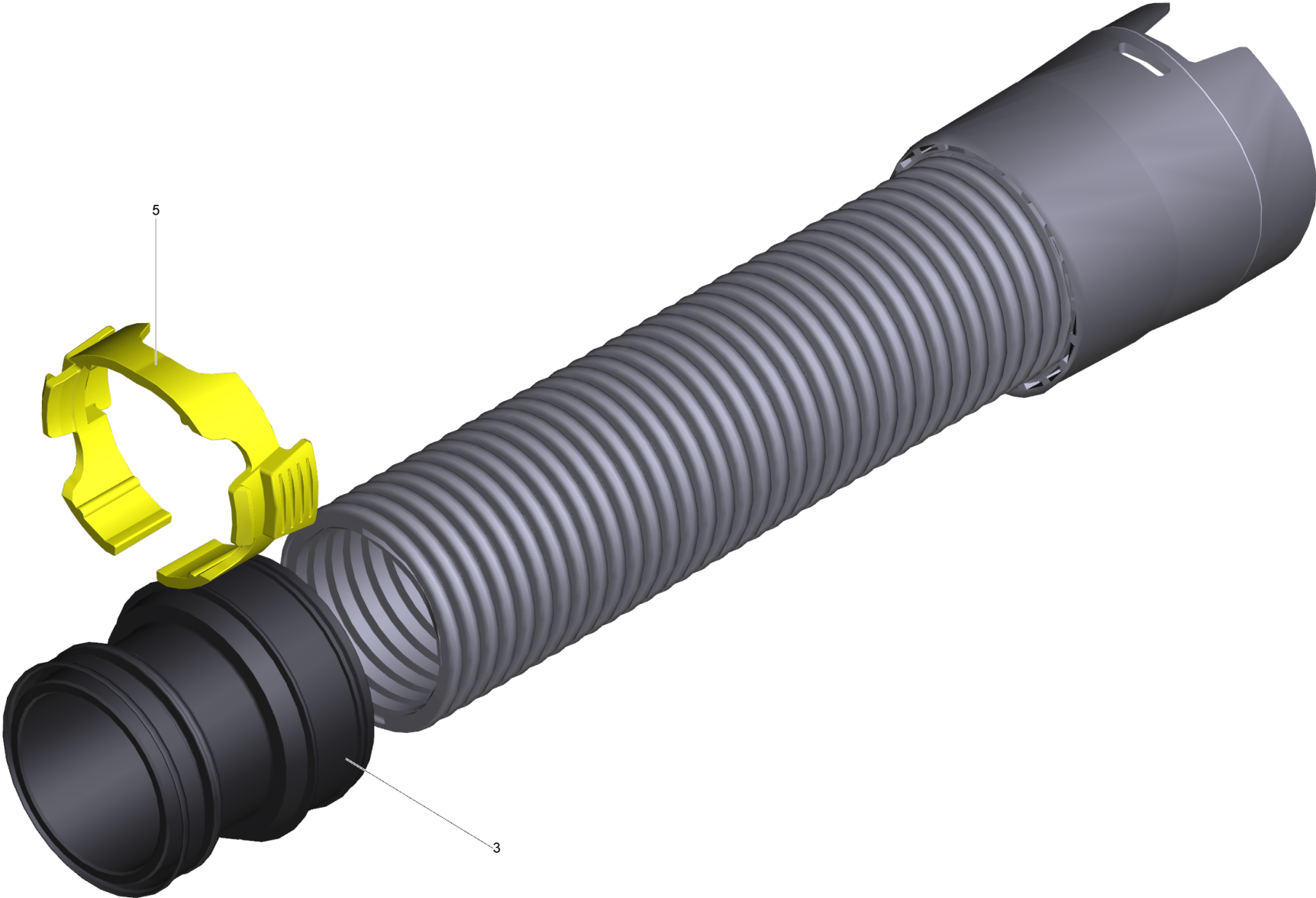
10 Assembly group holder rubber lips (4.862-020.0)

POS	Article no.	Description	Quantity	Unit
2	4.071-607.0	Rubber lips packaged	1	PC



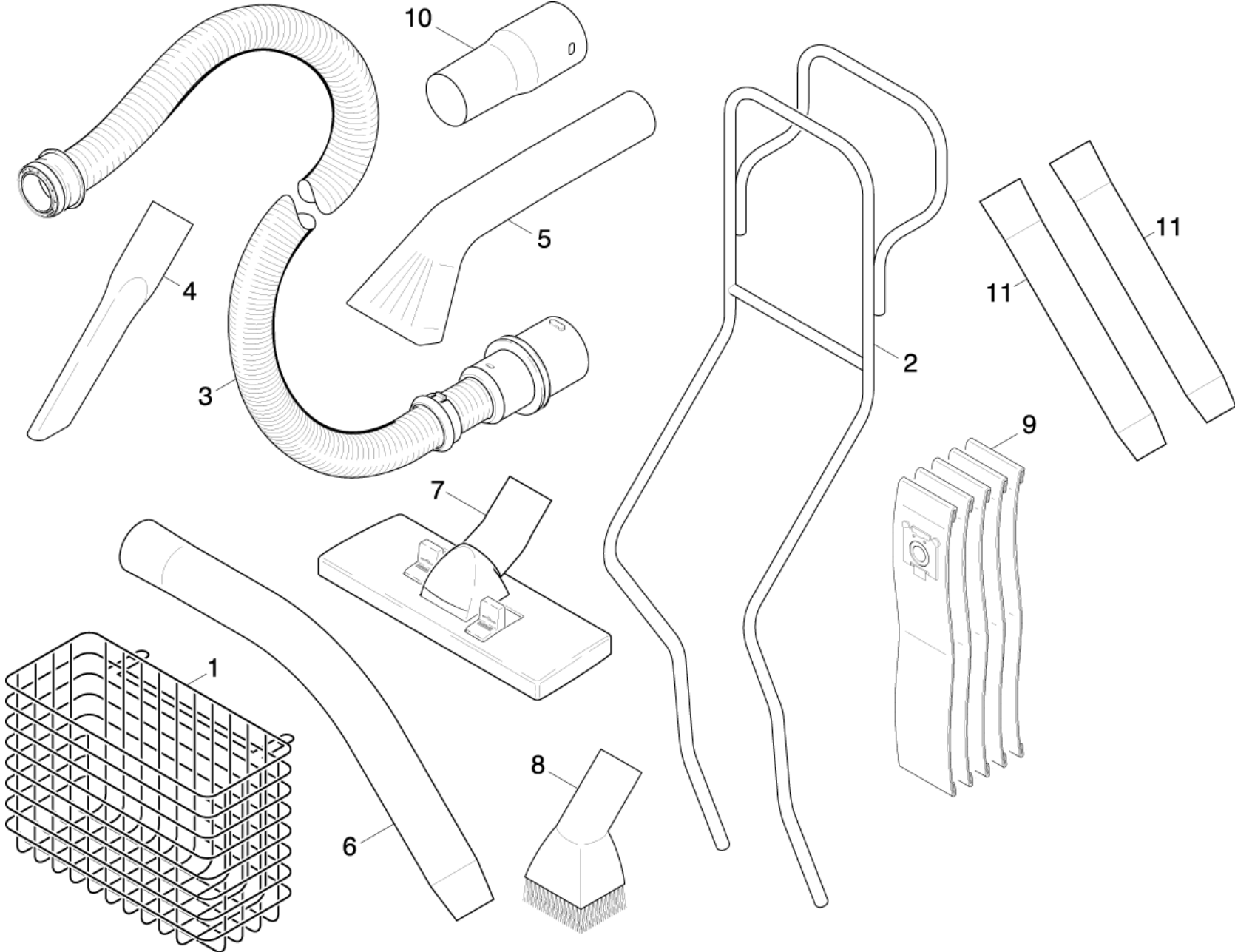
20 Assembly group holder brush strips (4.862-017.0)

POS	Article no.	Description	Quantity	Unit
10	4.071-606.0	Spare parts set brush strip packaged	1	PC



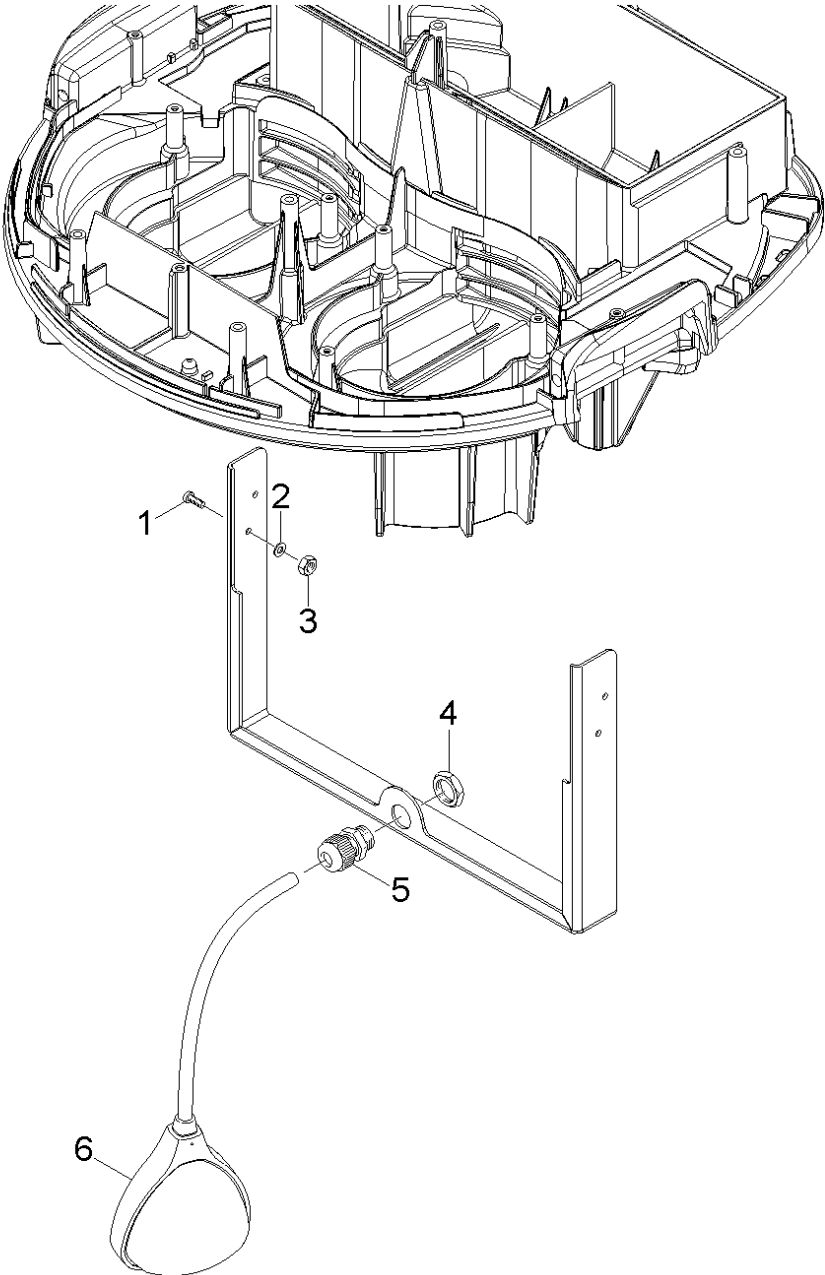
908 Extension hose NT DN40 2.5m (2.889-146.0)

POS	Article no.	Description	Quantity	Unit
5	5.031-213.0	Tension ring NW40	1	PC
3	5.406-004.0	Threaded ring NW40	1	PC



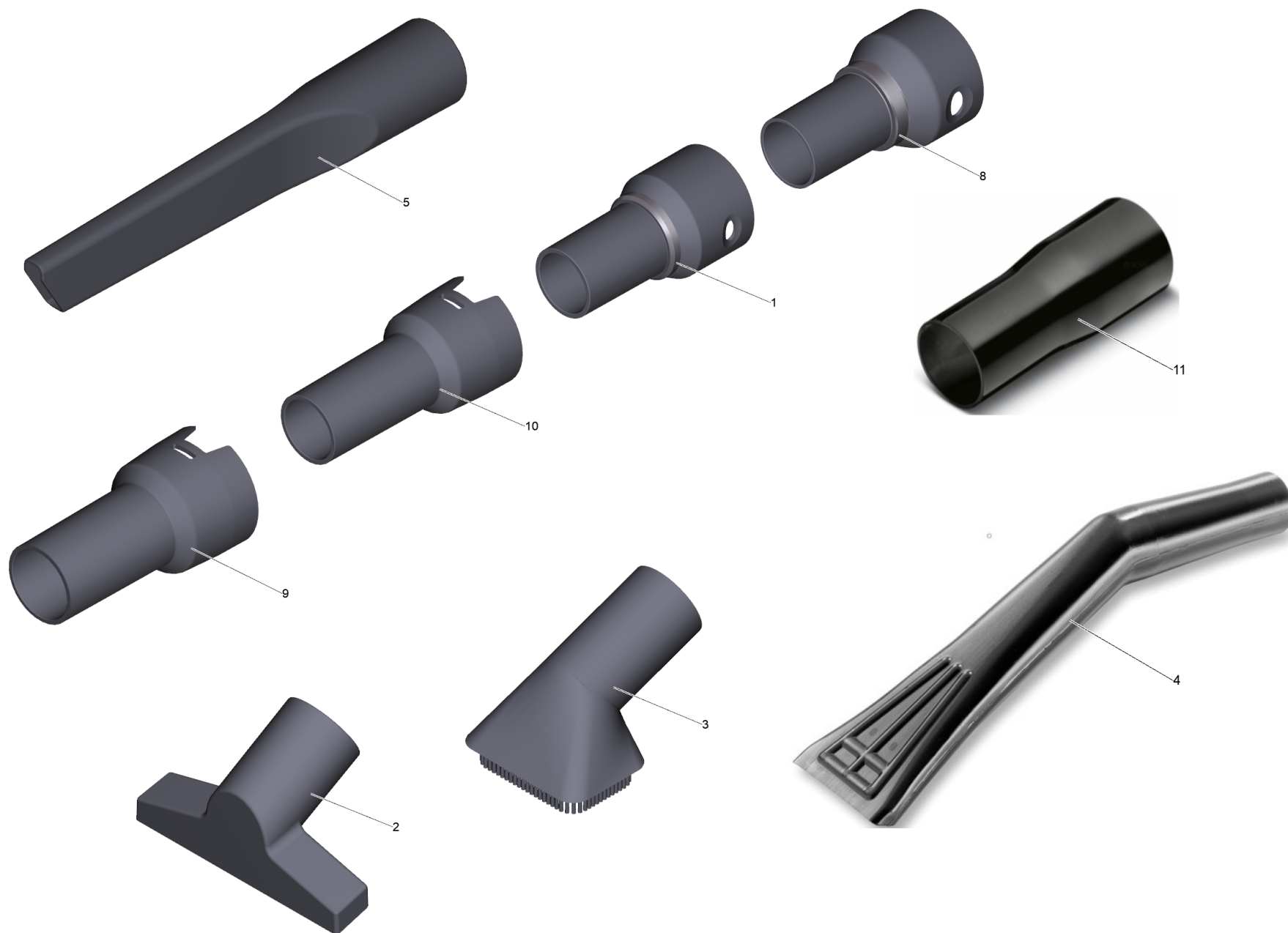
60 Add-on kit omnibus set

POS	Article no.	Description	Quantity	Unit
1	6.903-274.0	Cage accessories	1	PC
5	6.906-108.0	Car nozzle DN35	1	PC
7	6.906-511.0	Combination nozzle DN35	1	PC
4	6.906-240.0	Crevice nozzle DN35	1	PC
6	6.900-519.0	Elbow DN35 STAHL	1	PC
2	4.050-667.0	Frame complete	1	PC
9	6.904-285.0	Paper filtering bag 5x NT	1	PC
10	5.407-109.0	Sleeve with cone C40 / DN35	1	PC
8	6.900-697.0	Suction brush NW 35-CET 210024329	1	PC
3	6.906-635.0	Suction hose NT DN40 16m	1	PC
11	6.902-074.0	Suction tube T/NT DN35 505mm St	2	PC



70 Add-on kit nonconducting media

POS	Article no.	Description	Quantity	Unit
5	6.648-399.0	Cable gland black M16x1,5	1	PC
6	4.645-379.0	Float regulator complete	1	PC
3	7.311-516.0	Hexagon nut M4-A2-70 DIN 985	4	PC
4	6.648-415.0	Locknut black M16	1	PC
1	7.306-208.0	Screw M4x16-A2-70 (In6Rd)	4	PC
2	7.312-067.0	Washer 4-A2 ISO 7089	4	PC



900 Accessories car cleaning set DN35 (2.862-166.0)

POS	Article no.	Description	Quantity	Unit
4	6.906-385.0	Car nozzle DN35	1	PC
10	5.407-005.0	Connection cone NW35	1	PC
9	5.407-006.0	Connection cone NW40	1	PC
5	6.906-240.0	Crevice nozzle DN35	1	PC
11	6.902-017.0	Reducer	1	PC
1	5.407-112.0	Sleeve C35/DN35	1	PC
8	5.407-109.0	Sleeve with cone C40 / DN35	1	PC
3	6.903-862.0	Suction brush DN35	1	PC
2	6.905-998.0	Upholstery nozzle complete NW35	1	PC