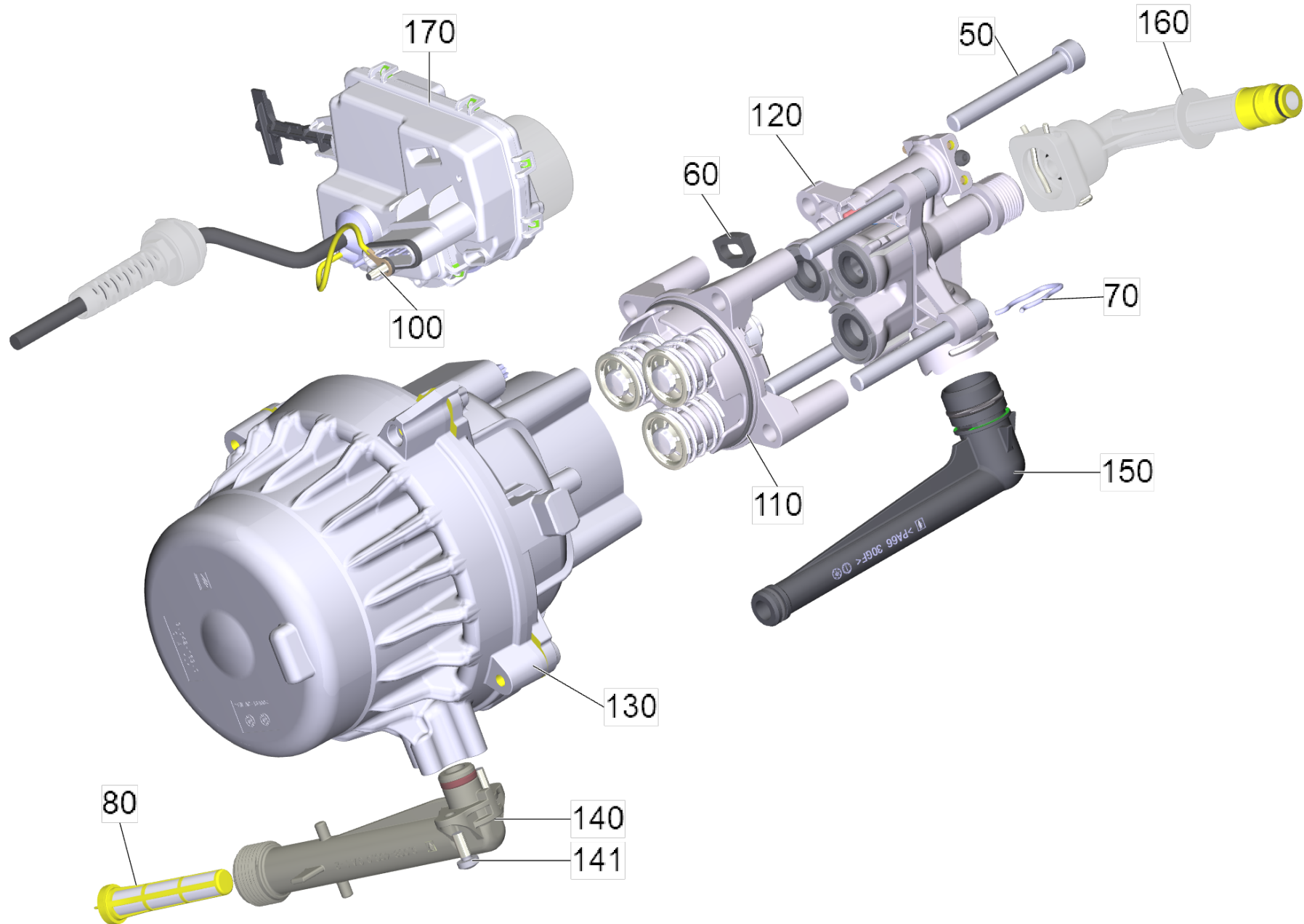


# 109 Pump set complete K5 (T-Pump)

Home and Garden \ High pressure cleaner cold water \ Electric motor \ K 5 \ K 5 Power Control Flex\*EU \ Pump set complete K5 (T-Pump)



## 109 Pump set complete K5 (T-Pump)

Home and Garden \ High pressure cleaner cold water \ Electric motor \ K 5 \ K 5 Power Control Flex\*EU \ Pump set complete K5 (T-Pump)

**KÄRCHER**

POS	Article no.	Description	Quantity	Unit
60	9.048-071.0	Spacer - Seal	1	PC
70	5.048-915.0	Clamp	1	PC
80	5.731-598.0	Fine filter long	1	PC
100	9.086-218.0	Screw M4X10 TORX T20 TAP-TITE THREAD	1	PC
110	9.013-340.0	Thrust guidance complete	1	PC
120		Pump complete T-Pump	1	PC
130	4.100-707.0	Motor complete for replacement K5 NCR *EU	1	PC
140	9.013-345.0	Suction connection complete FC	1	PC
150	9.013-623.3	High-pressure outlet K4 NCR	1	PC
160	9.002-621.0	HP inner fitting ALU TPump	1	PC
170	9.013-864.3	Assembly E-box Micro PC ZE 35uF	1	PC
141	7.306-394.0	Screw M5x12 -8.8-ZNBHL ISO 14583	2	PC
50	7.306-151.0	Cylinder head screw M8x65 -8.8-A2E ISO4	4	PC