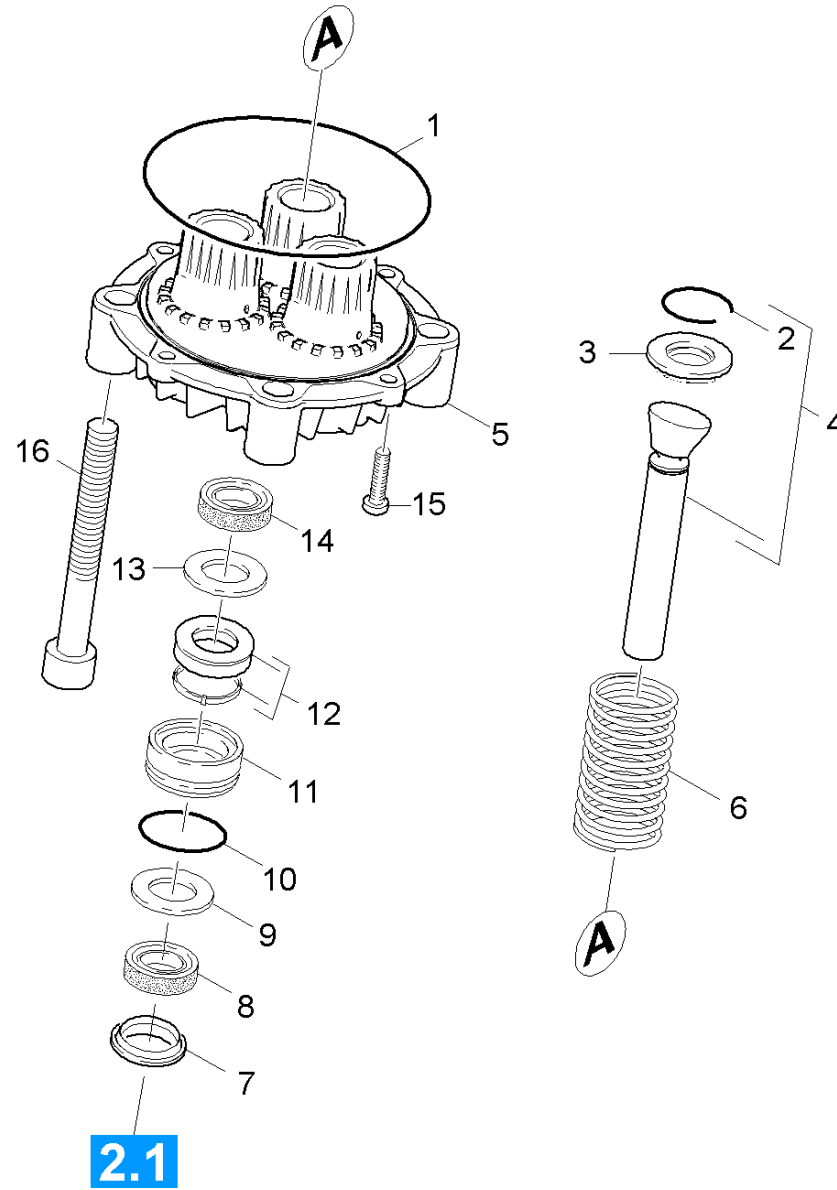


22 Thrust guidance

Overview technical documents/Professional/High pressure cleaner cold water/Electric motor/HD 9/20-4m (1.524-400.0)/Spare parts list high-pressure 9/20-4M */20 Pump set/22 Thrust guidance



22 Thrust guidance

Overview technical documents/Professional/High pressure cleaner cold water/Electric motor/HD 9/20-4m (1.524-400.0)/Spare parts list high-pressure 9/20-4M */20 Pump set/22 Thrust guidance

Rez.daļas/nodil.pakļ.daļas	Poz.	Materiāla Nr.	Nosaukums	Daudzums	Pārdoš. vienība	no sēr. Nr..	līdz sēr. Nr.
X-X	1	6.362-613.0	Gredzenblīve 101,27X 2,62-NBR 70	1.000	ST	0000000000	0000000000
	2	6.472-331.0	snap ring	3.000	ST	0000000000	0000000000
X	3	5.116-310.0	Tarpine	3.000	ST	0000000000	0000000000
X-X	4	4.553-279.0	Piston complete	3.000	ST	0000000000	0000000000
	5	5.061-185.0	Taisnvirziena vadotne	1.000	ST	0000000000	0000000000
X-X	6	5.332-550.0	helical spring	3.000	ST	0000000000	0000000000
X-X	7	6.365-378.0	Balstgredzens 20x30x4,2	3.000	ST	0000000000	0000000000
X-X	8	6.365-377.0	Gredzens ar gropi 20x30x6	3.000	ST	0000000000	0000000000
X-X	9	5.115-538.0	Paplāksne	3.000	ST	0000000000	0000000000
X-X	10	6.362-406.0	Gredzenblīve 33,05X 1,78-NBR 70	3.000	ST	0000000000	0000000000
X-X	11	5.112-778.0	Bukse	3.000	ST	0000000000	0000000000
X-X	12	6.365-380.0	Zemspiediena blīvju komplekts	3.000	ST	0000000000	0000000000
X-X	13	5.115-255.0	Paplāksne	3.000	ST	0000000000	0000000000
X-X	14	6.365-052.0	Gredzens ar gropi 20X28X6/8	3.000	ST	0000000000	0000000000
	15	7.306-092.0	Screw	2.000	ST	0000000000	0000000000
	16	7.306-155.0	Cil. galvas skr. M12x100 -8.8-A3E IS	4.000	ST	0000000000	0000000000