

Spare parts list

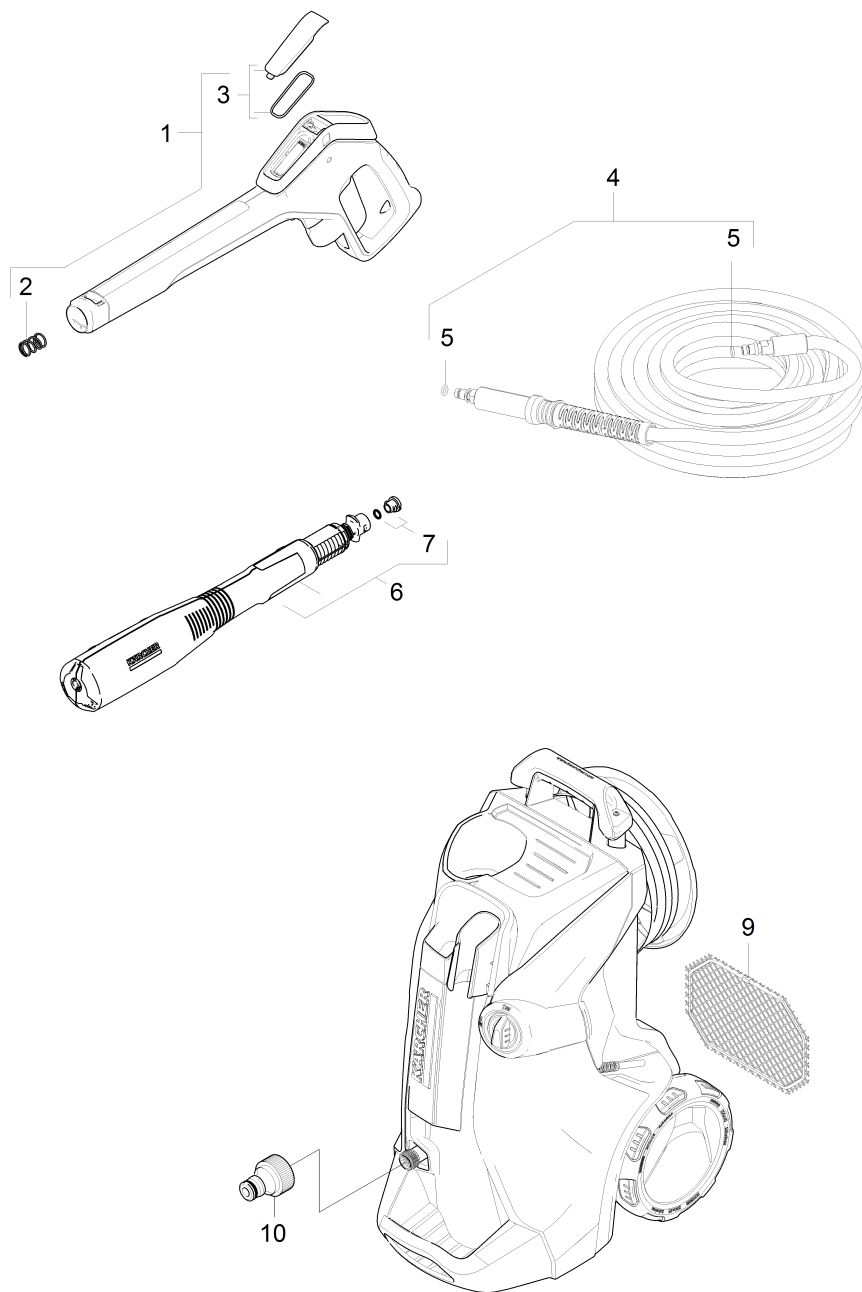
(1.317-130.0) K 7 Premium Full Control Plus *EU

Table of contents

K 7 Premium Full Control Plus *EU (1.317-130.0)	3
100 Short spare parts list	4
1000 Spare parts list K7 FC Premium *EU (5.973-673.0)	6
1 Pump set complete K7 FC *EU 2017 (DS)	9
50 Motor complete replacement K7 (4.624-311.0)	11
51 Pump head complete K7 FC *EU	13
101 Piston guidance complete	15
102 Cylinder head aluminium complete (4.550-017.0)	17
104 Valve pin complete (4.584-022.0)	19
105 Plug complete (4.580-025.0)	21
9000 Spare parts set excess-current (2.885-186.0)	23
103 Control piston complete replacement (2.885-408.0)	25
9001 Nozzle insert only for replacement (4.769-034.0)	28
53 Electric box for replacement *EU (4.800-010.3)	30
2 Pump set complete K7 *EU 2017	32
50 Motor complete replacement K7 (4.624-311.0)	34
51 Pump head complete K7 2017	36
101 Piston guidance complete	38
102 Cylinder head aluminium complete (4.550-017.0)	40
104 Valve pin complete (4.584-022.0)	42
105 Plug complete (4.580-025.0)	44
9000 Spare parts set excess-current (2.885-186.0)	46
103 Control piston complete replacement (2.885-408.0)	48
9001 Nozzle insert only for replacement (4.769-034.0)	51
53 Electric box complete (4.800-004.3)	53
10 G 180 Q Full Control Plus Pistole (2.643-992.0)	55
10 G 180 Q Full Control Plus Pistole (2.643-992.0)	57
14 Handhold complete	59
28 Hose reel high-pressure complete (18MPa)	61
16 High pressure hose 18MPa/10 60°C QC B (6.396-493.0)	63
9001 Spare parts set hollow shaft (2.885-472.0)	65

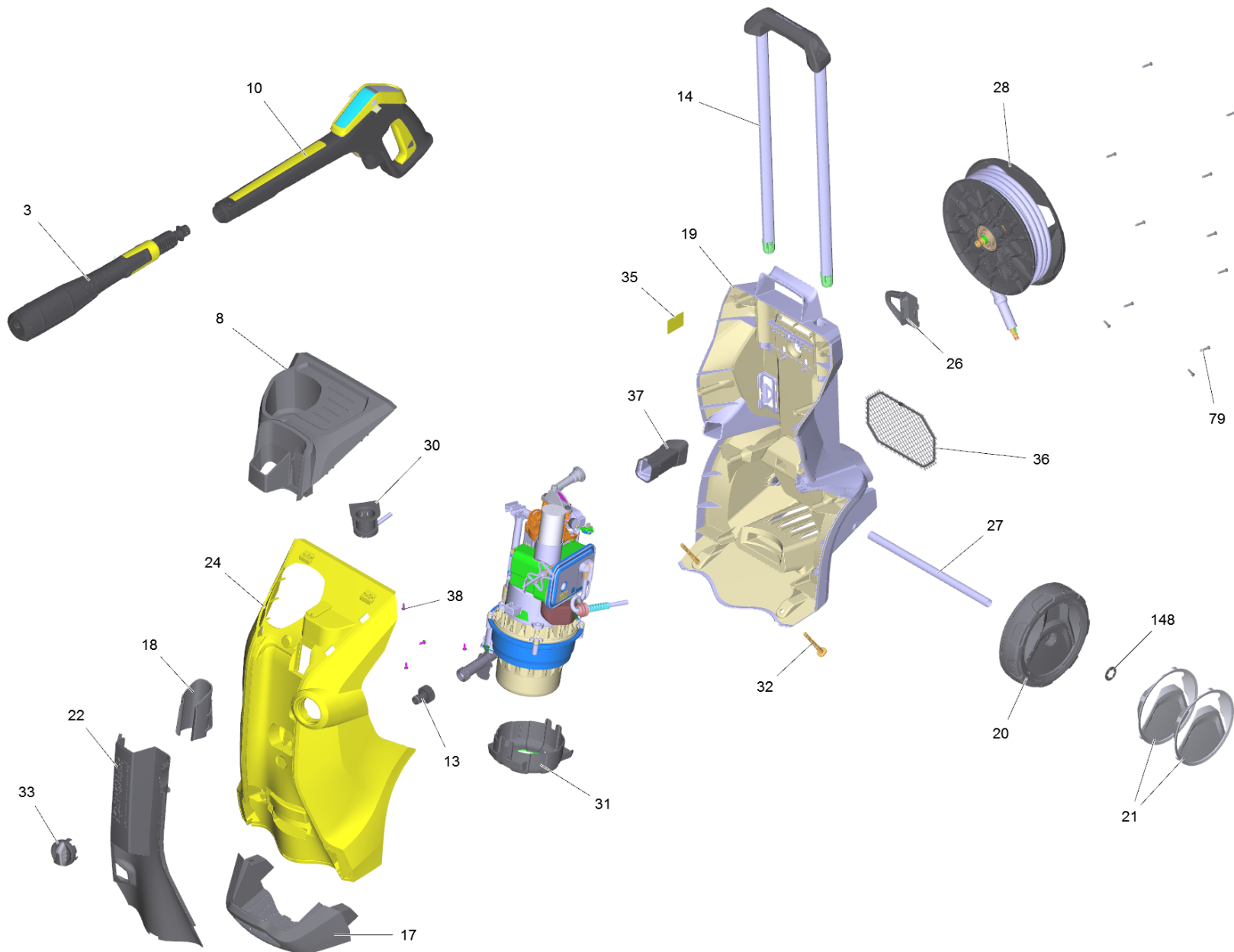
K 7 Premium Full Control Plus *EU (1.317-130.0)

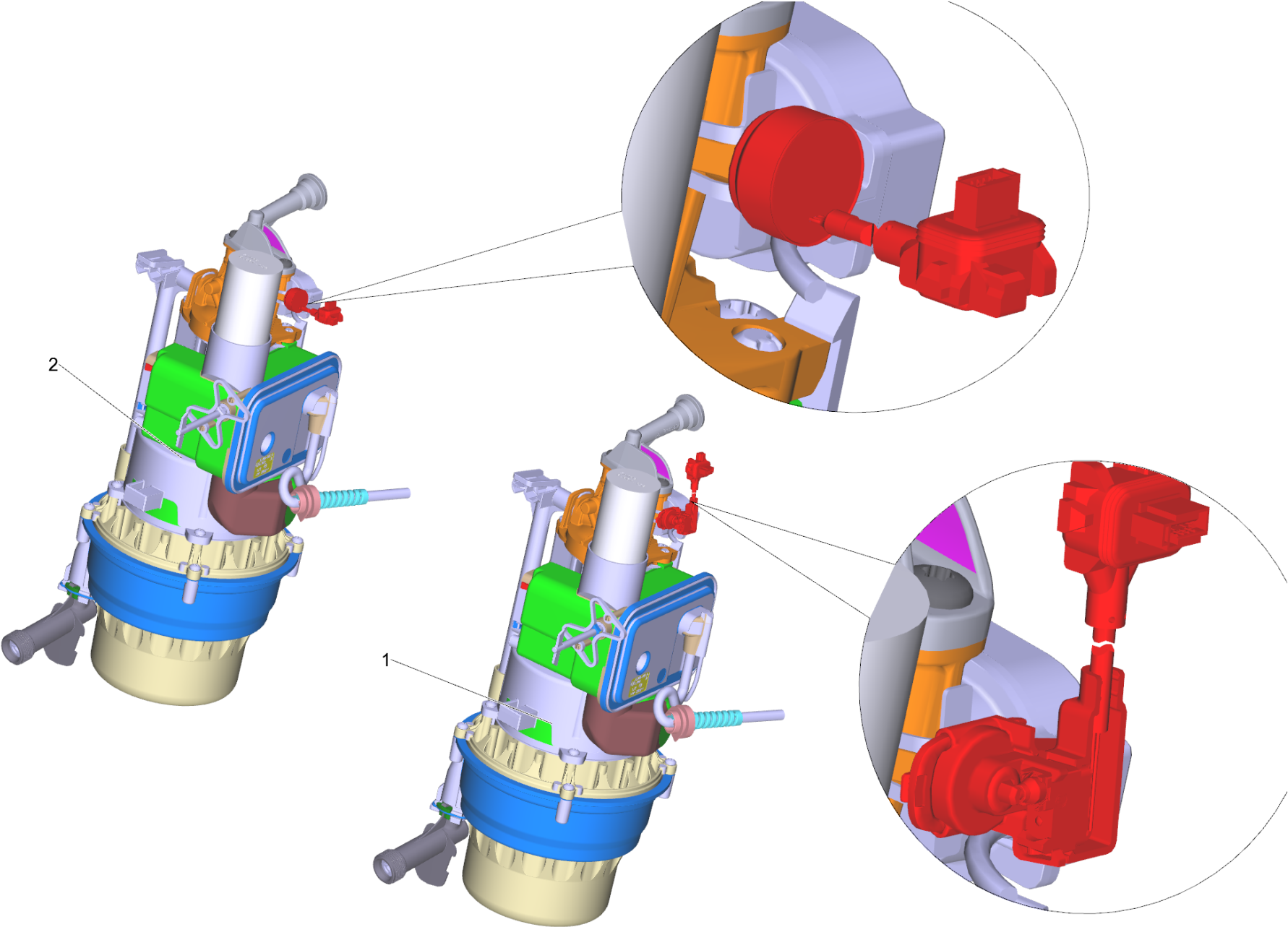
POS	Article no.	Description	Quantity	Unit
100		Short spare parts list	1.000	ST
1000	5.973-673.0	Spare parts list K7 FC Premium *EU	1.000	ST
1000		Service manual	1.000	ST



100 Short spare parts list

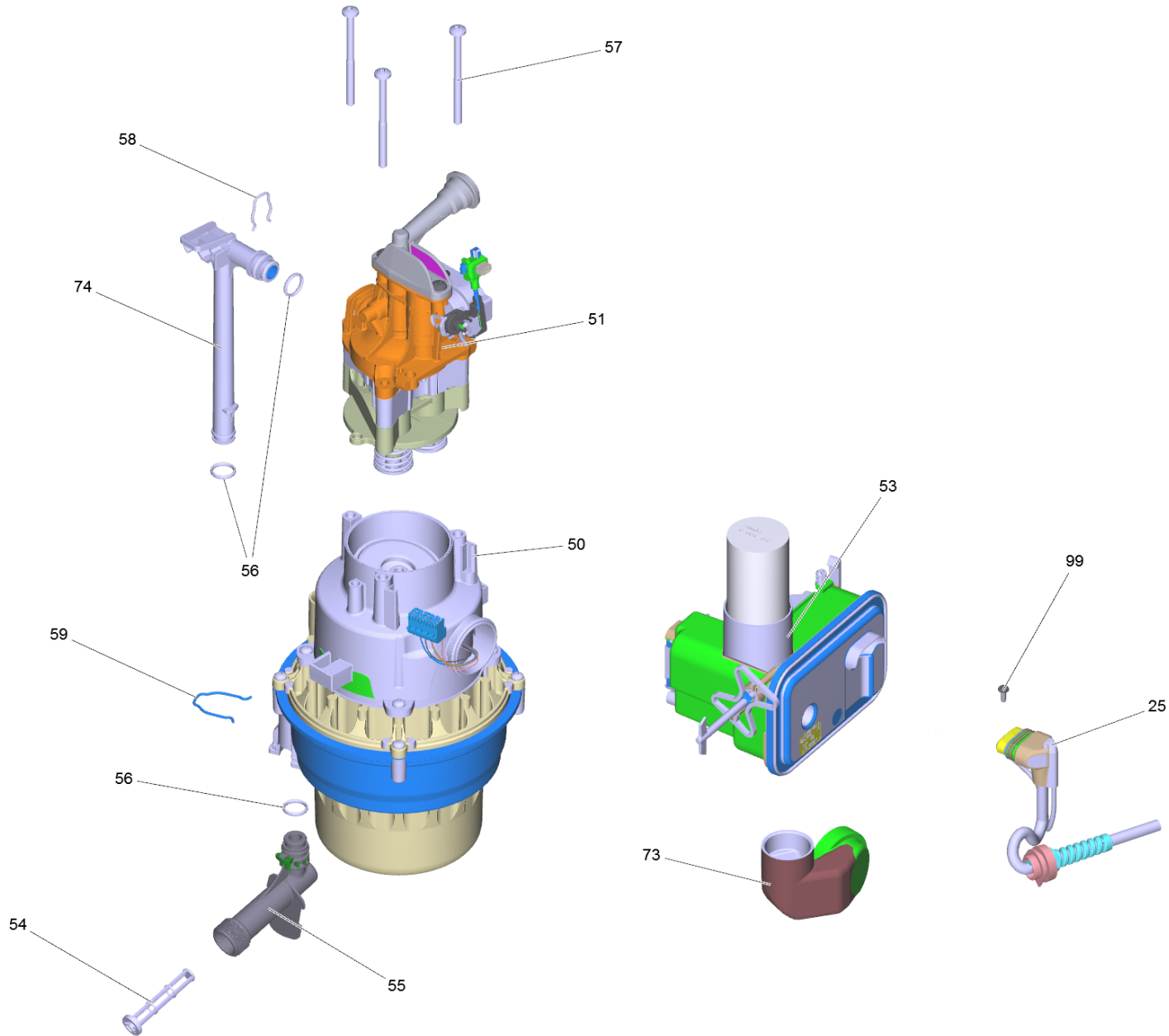
POS	Article no.	Description	Quantity	Unit
1	2.643-992.0	G 180 Q Full Control Plus Pistole	1.000	ST
2	5.332-464.0	Pressure spring	1.000	ST
3	2.885-476.0	Spare part set cover battery G 160 Q Ful	1.000	ST
4	6.396-493.0	High pressure hose 18MPa/10 60°C QC B	1.000	ST
5	2.640-729.0	O-Ring seal set	1.000	ST
6	2.643-907.0	MJ 180 3-in-1 Multi Jet Full Control	1.000	ST
7	2.640-729.0	O-Ring seal set	2.000	ST
9	9.002-435.0	Accessory net	1.000	ST
10	6.465-031.0	Connection 3/4	1.000	ST





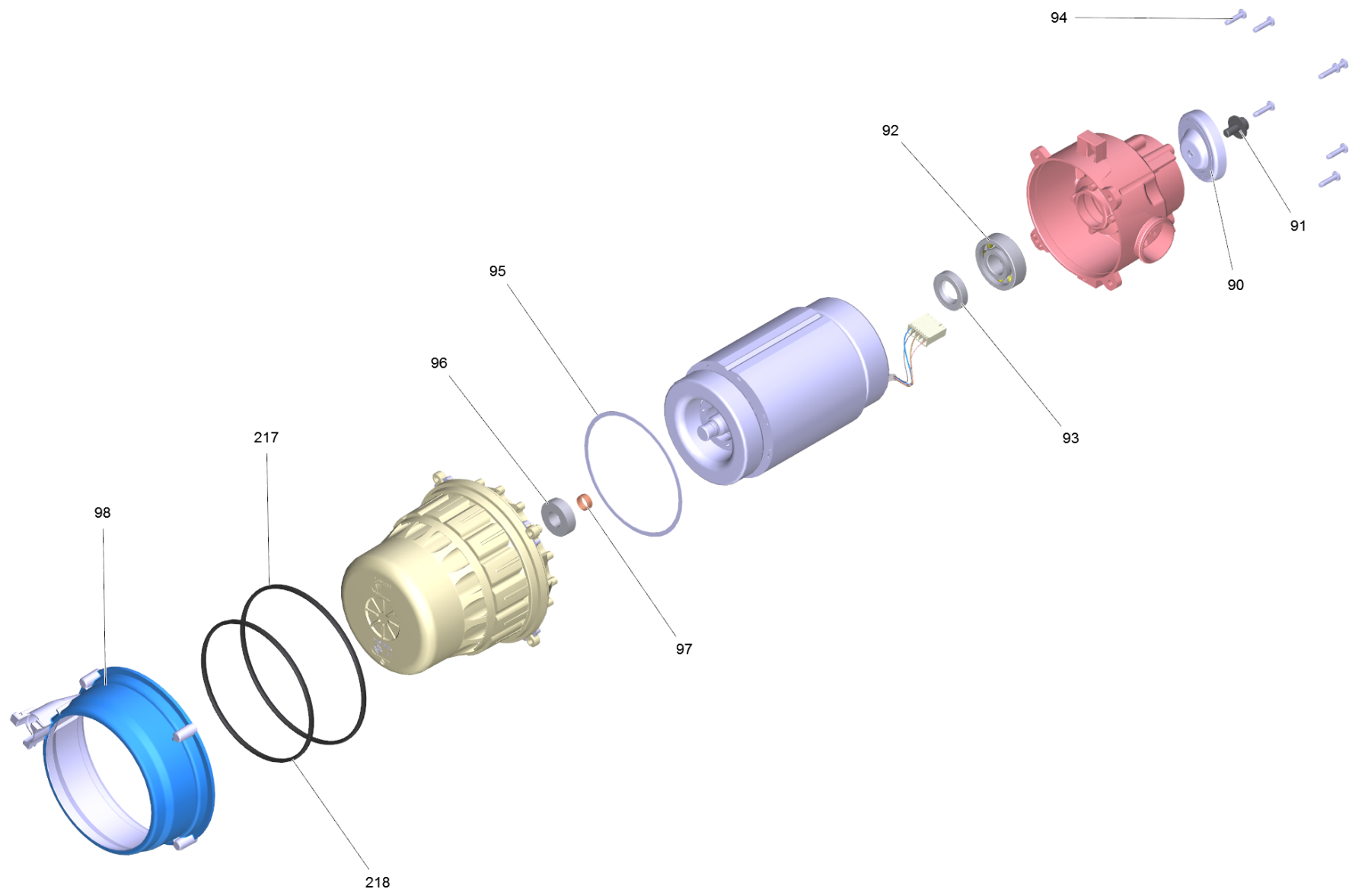
1000 Spare parts list K7 FC Premium *EU (5.973-673.0)

POS	Article no.	Description	Quantity	Unit	Foot note text
1		Pump set complete K7 FC *EU 2017 (DS)	1.000	ST	VERSION 2
2		Pump set complete K7 *EU 2017	1.000	ST	VERSION 1
3	2.643-907.0	MJ 180 3-in-1 Multi Jet Full Control	1.000	ST	
8	5.044-342.3	Covering cap above	1.000	ST	
10	2.643-992.0	G 180 Q Full Control Plus Pistole	1.000	ST	VERSION 1
		Item text1: to Pump set Pos.2 // zu Pumpensatz Pos.2			
10	2.643-992.0	G 180 Q Full Control Plus Pistole	1.000	ST	VERSION 2
		Item text1: to Pump set Pos.1 // zu Pumpensatz Pos.1			
13	6.465-031.0	Connection 3/4	1.000	ST	
14		Handhold complete	1.000	ST	
17	5.044-343.0	Stand foot	1.000	ST	
18	5.044-486.0	Holder accessories	1.000	ST	
19	5.044-331.3	Chassis rear	1.000	ST	
20	5.515-071.0	Wheel D200	2.000	ST	
21	2.885-473.0	Spare parts set screen wheel	1.000	ST	
22	5.052-007.3	Screen front	1.000	ST	
24	5.052-006.3	Cover K7 FC	1.000	ST	
26	5.332-026.0	Hose guide external	1.000	ST	
27	5.105-361.0	Axle L=310	1.000	ST	
28		Hose reel high-pressure complete (18MPA)	1.000	ST	
30	9.013-417.0	RM retainer station compl. FC	1.000	ST	
31	5.322-164.0	Holder pump set	1.000	ST	
32	5.317-896.0	Bolt stand foot	2.000	ST	
33	9.048-123.0	2K KNOB black	1.000	ST	
35	5.387-620.0	Warning sticker-Prevent from freezing	1.000	ST	
36	9.038-490.3	Grid accessories	1.000	ST	
37	5.322-167.0	Hose guide	1.000	ST	
38	7.303-106.0	Screw 4x12 -10.9-R2R (IN6RD)	4.000	ST	
79	6.303-150.0	Screw 4,2x 22	11.000	ST	
148	6.343-168.0	Lock washer	2.000	ST	



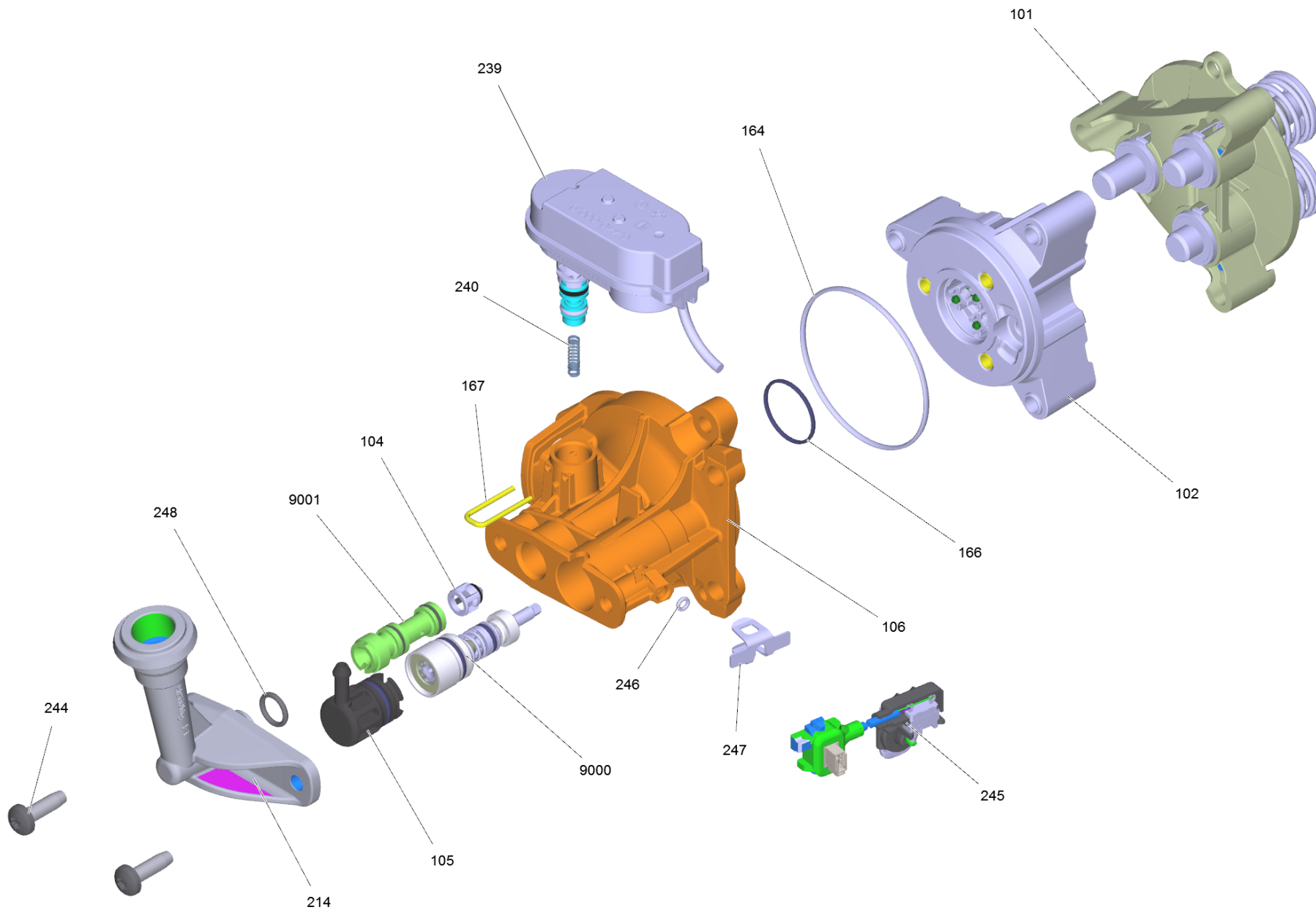
1 Pump set complete K7 FC *EU 2017 (DS)

POS	Article no.	Description	Quantity	Unit
25	6.650-486.3	Cable with plug *EU	1.000	ST
50	4.624-311.0	Motor complete replacement K7	1.000	ST
51		Pump head complete K7 FC *EU	1.000	ST
53	4.800-010.3	Electric box for replacement *EU	1.000	ST
54	5.731-620.0	Fine filter	1.000	ST
55	5.443-015.0	Tube intake	1.000	ST
56	6.363-610.0	O-Ring seal 13 x 3 -NBR	3.000	ST
57	6.303-042.0	Screw M6x80	3.000	ST
58	5.048-915.0	Clamp	1.000	ST
59	5.048-065.0	Clamp pipe intake	1.000	ST
73	5.363-827.0	Connection electric box A-bearing plate	1.000	ST
74	5.443-654.0	Tube Ruecklauf WCM K7 D117	1.000	ST
99	7.303-031.0	Screw M4x10 -St-P2R (In6Rd)	1.000	ST



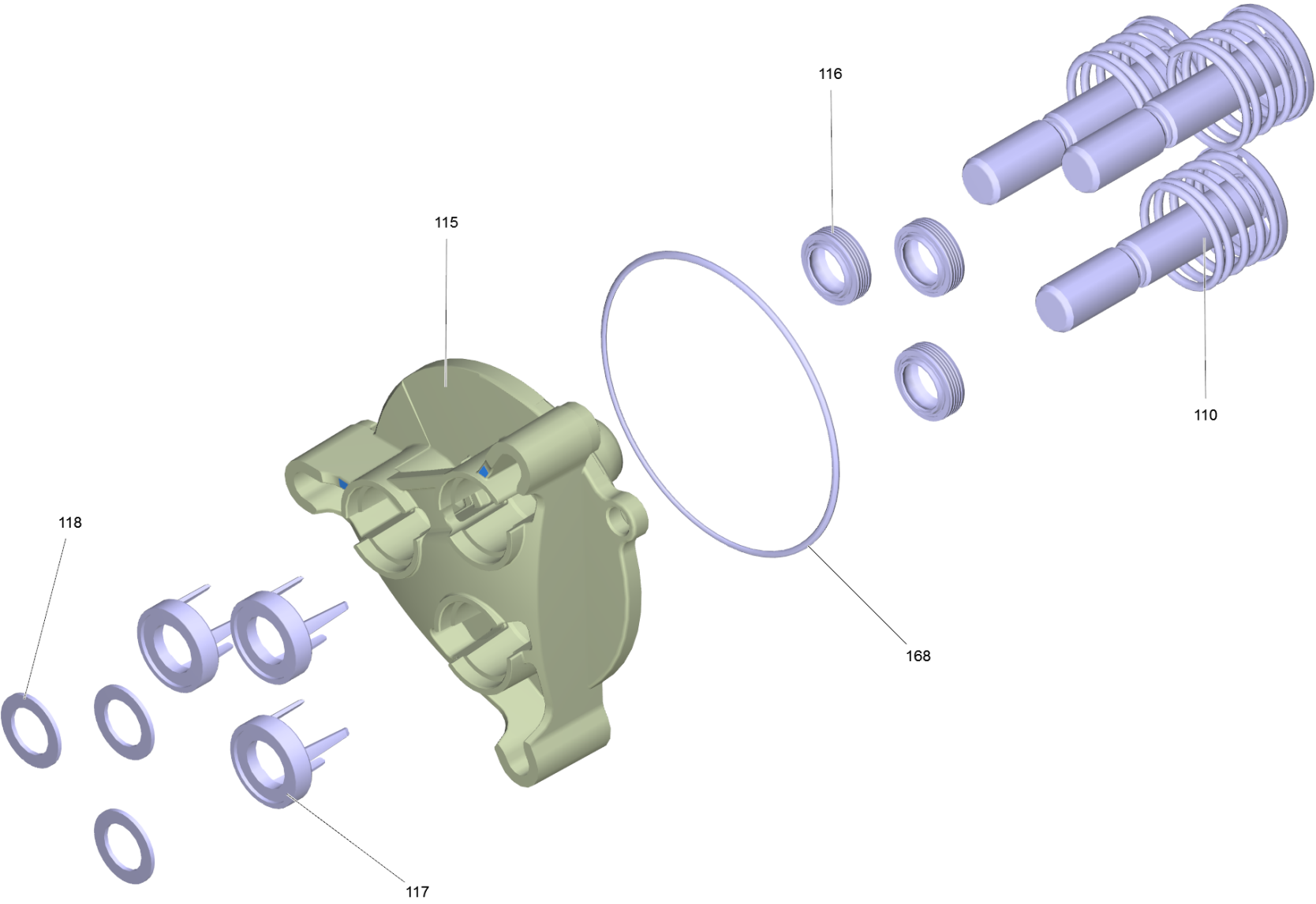
50 Motor complete replacement K7 (4.624-311.0)

POS	Article no.	Description	Quantity	Unit
90	4.120-001.0	Wobble plate complete 13° (D67)	1.000	ST
91	9.086-169.0	Wobble plate screw M8x16	1.000	ST
92	7.401-155.0	Ball bearing 6304-WAELZLAGERST DIN 625	1.000	ST
93	6.367-051.0	Rotary shaft seal -20X37X8 NBR	1.000	ST
94	6.303-320.0	Screw M 5x 20-St-R2R	8.000	ST
95	5.363-590.0	Joint ring	1.000	ST
96	7.401-128.0	Ball bearing 6202-2RS -Wälzl.St DIN 625	1.000	ST
97	6.343-218.0	Tolerance ring 15x6	1.000	ST
98	5.093-025.0	Outer covering water flow	1.000	ST
125	6.288-050.0	Engine oil 1L	1.000	ST
217	6.363-593.0	O-Ring seal 146x5 EPDM	1.000	ST
218	6.363-647.0	O-Ring seal D130x5	1.000	ST



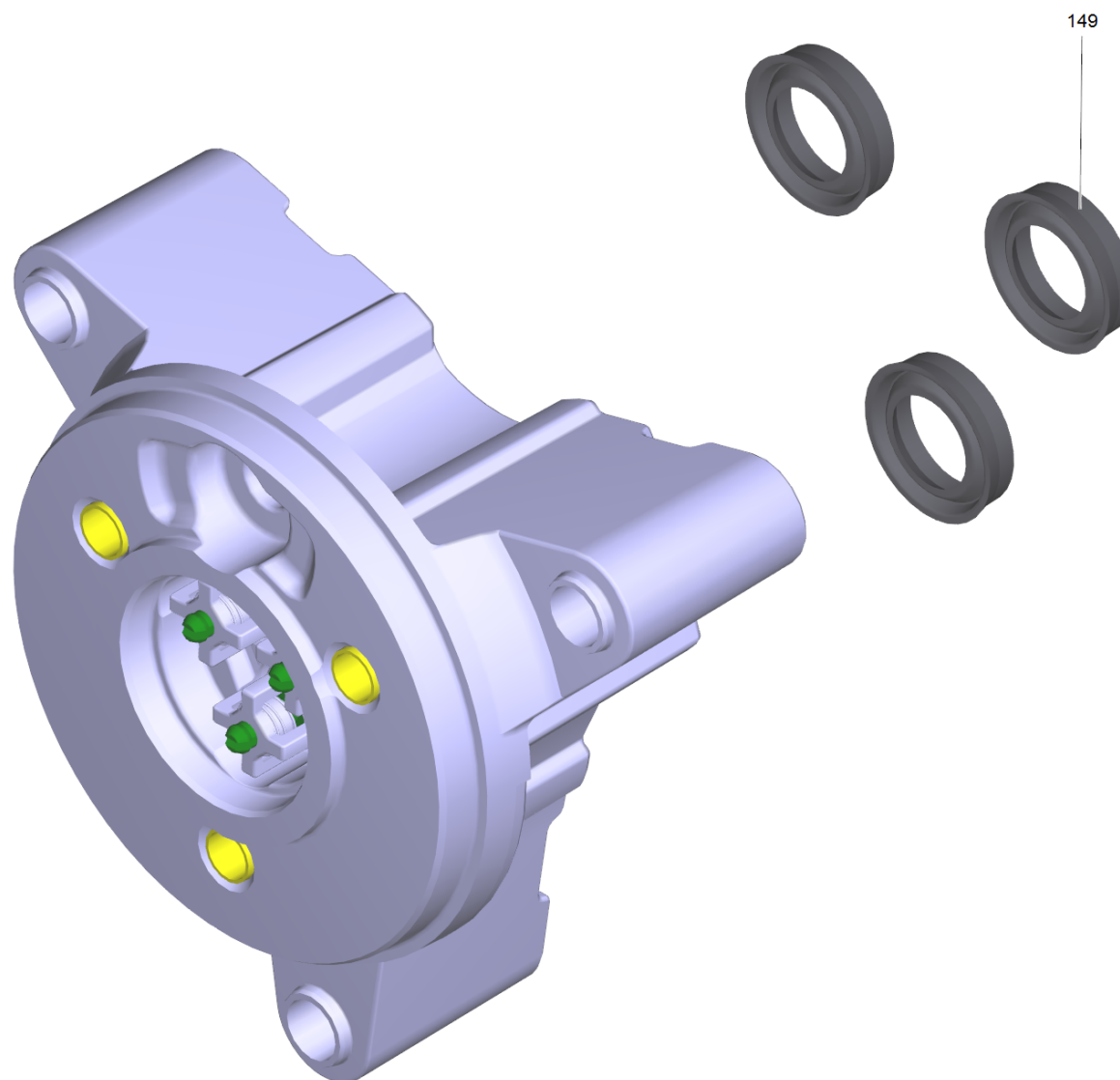
51 Pump head complete K7 FC *EU

POS	Article no.	Description	Quantity	Unit
101		Piston guidance complete	1.000	ST
102	4.550-017.0	Cylinder head aluminium complete	1.000	ST
104	4.584-022.0	Valve pin complete	1.000	ST
105	4.580-025.0	Plug complete	1.000	ST
106	5.062-718.3	Housing waterproof	1.000	ST
164	6.363-616.0	O-Ring seal 60,0x2,0 -NBR70	1.000	ST
166	6.362-562.0	O-Ring seal 21,95X 1,78-NBR 90	1.000	ST
167	5.048-048.0	Clamp	1.000	ST
214	5.789-070.0	High-pressure outlet	1.000	ST
239	6.440-000.3	Lifting drive complete	1.000	ST
240	5.333-215.0	Pressure spring by-pass	1.000	ST
244	7.303-048.0	Screw M6x20 -St-R3R (In6Rd)	2.000	ST
245	6.630-839.3	Pressure switch only for replacement	1.000	ST
246	6.363-716.0	O-Ring seal 2,2x1,7 -NBR 80	1.000	ST
247	5.048-047.0	Clamp pressure sensor	1.000	ST
248	6.362-151.0	O-Ring d. 10 x 2 NBR 70	1.000	ST
9000	2.885-186.0	Spare parts set excess-current	1.000	ST
9001	4.769-034.0	Nozzle insert only for replacement	1.000	ST



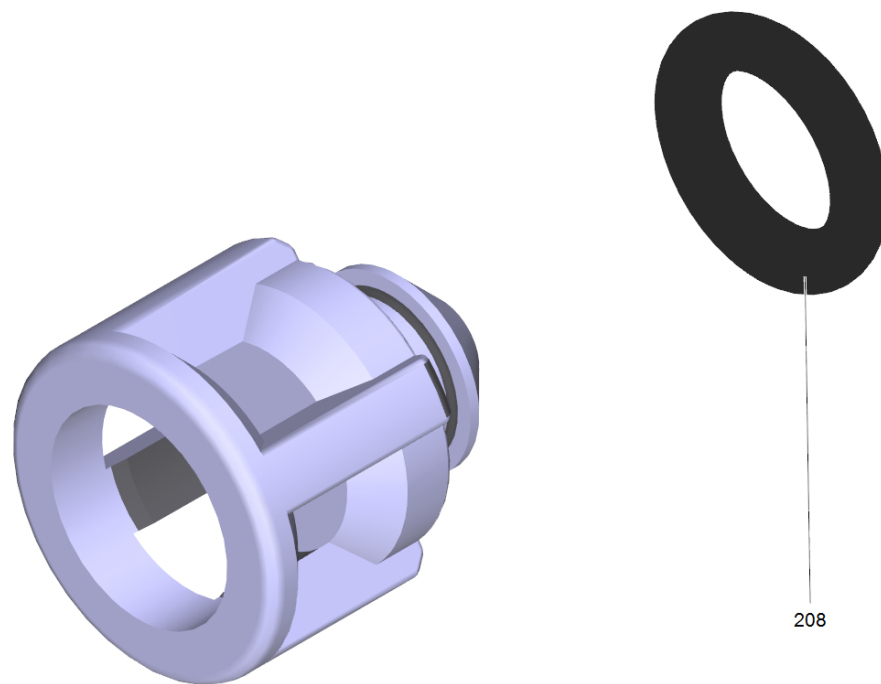
101 Piston guidance complete

POS	Article no.	Description	Quantity	Unit
110	4.553-286.0	Piston complete	3.000	ST
115	5.062-655.0	Piston guidance	1.000	ST
116	6.363-633.0	Grooved ring 12x18x6/5/1	3.000	ST
117	5.116-381.0	Supporting disk	3.000	ST
118	5.116-380.0	Washer piston guidance	3.000	ST
168	6.363-449.0	O-Ring seal 72x2 -NBR70	1.000	ST



102 Cylinder head aluminium complete (4.550-017.0)

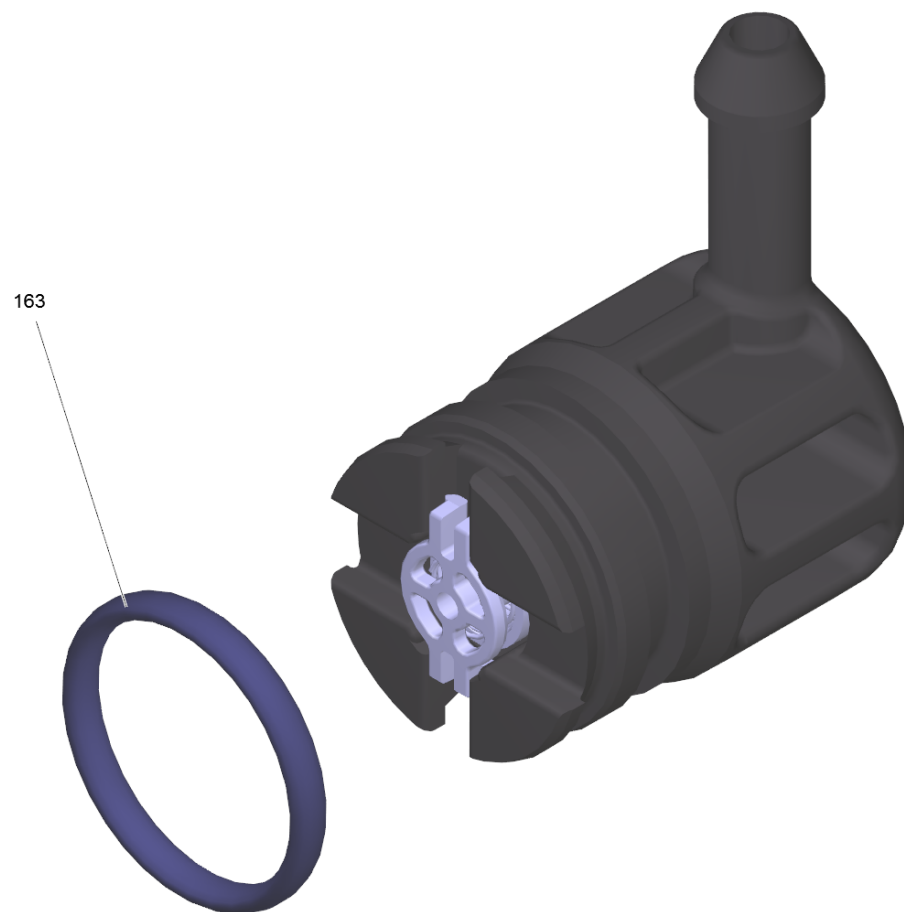
POS	Article no.	Description	Quantity	Unit
149	6.363-435.0	Grooved ring 12x17x4,25/2,5	3.000	ST



208

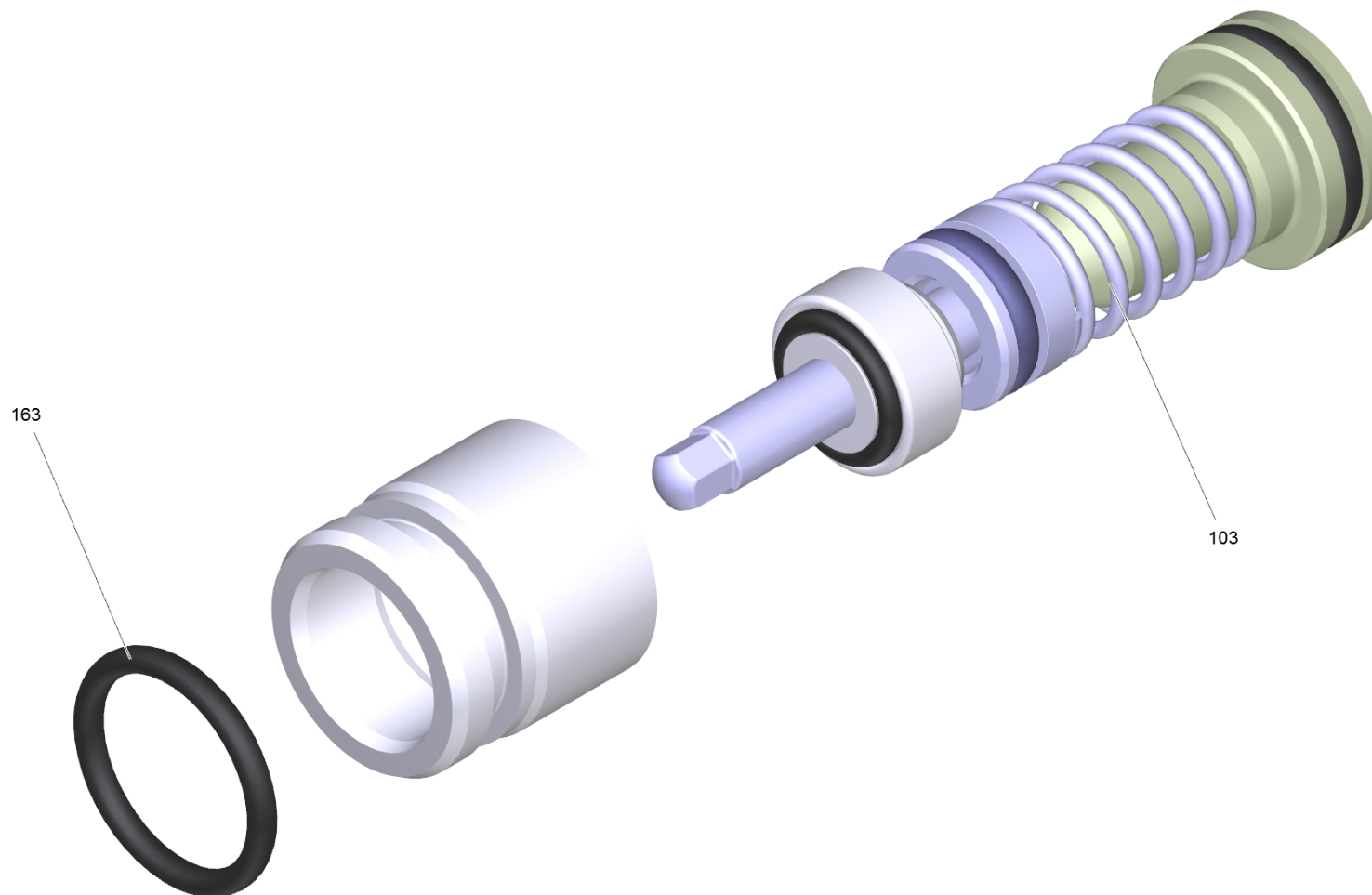
104 Valve pin complete (4.584-022.0)

POS	Article no.	Description	Quantity	Unit
208	6.363-613.0	O-Ring seal 4 x 2 -NBR90	1.000	ST



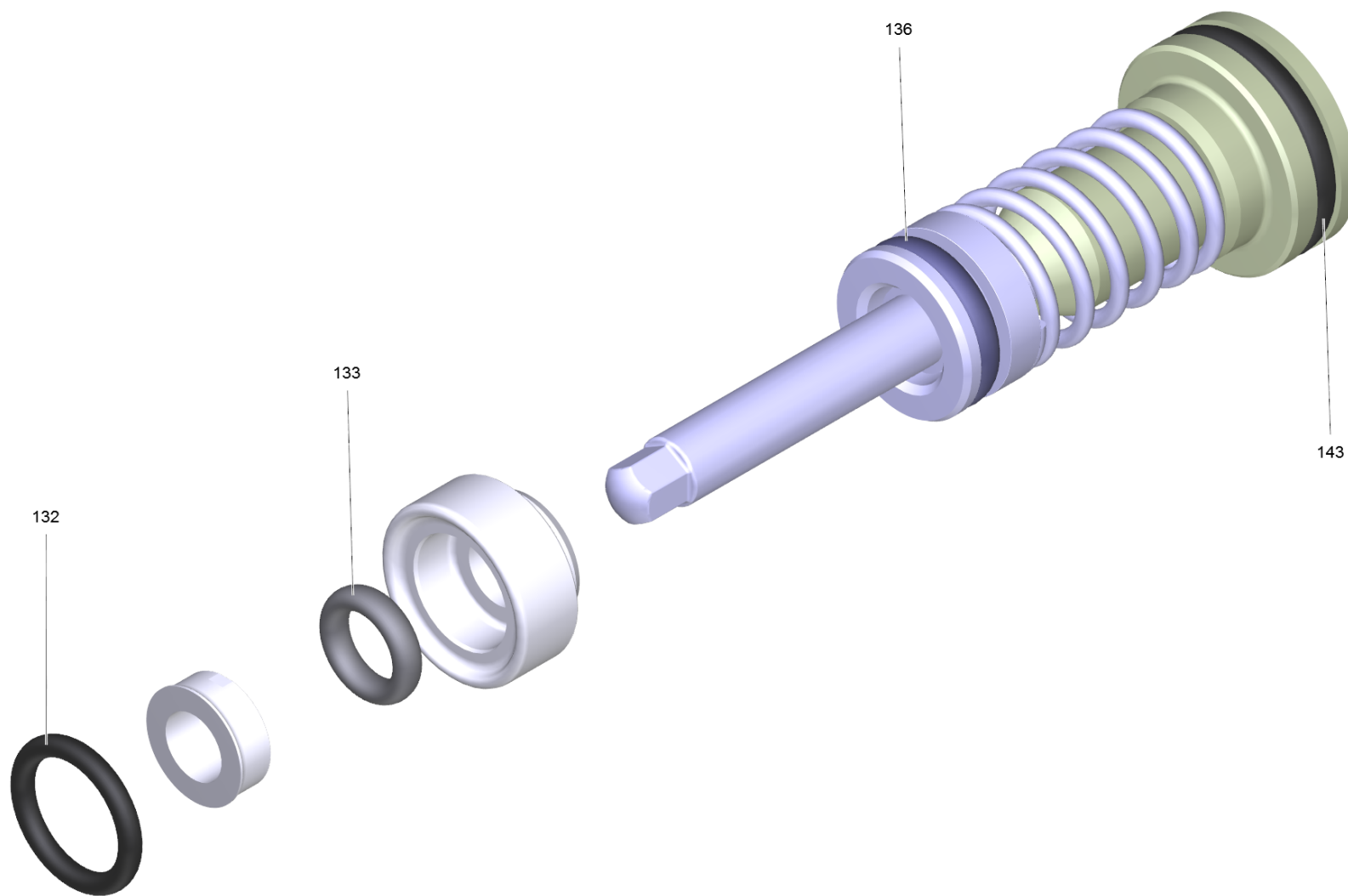
105 Plug complete (4.580-025.0)

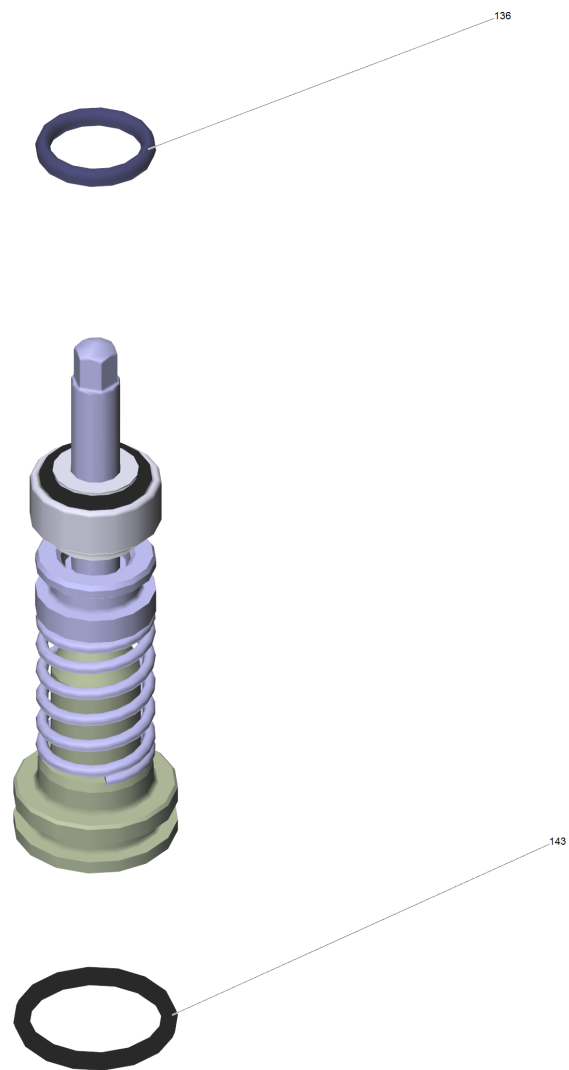
POS	Article no.	Description	Quantity	Unit
163	6.362-030.0	O-Ring seal 15x2 90 Shore IRHD	1.000	ST



9000 Spare parts set excess-current (2.885-186.0)

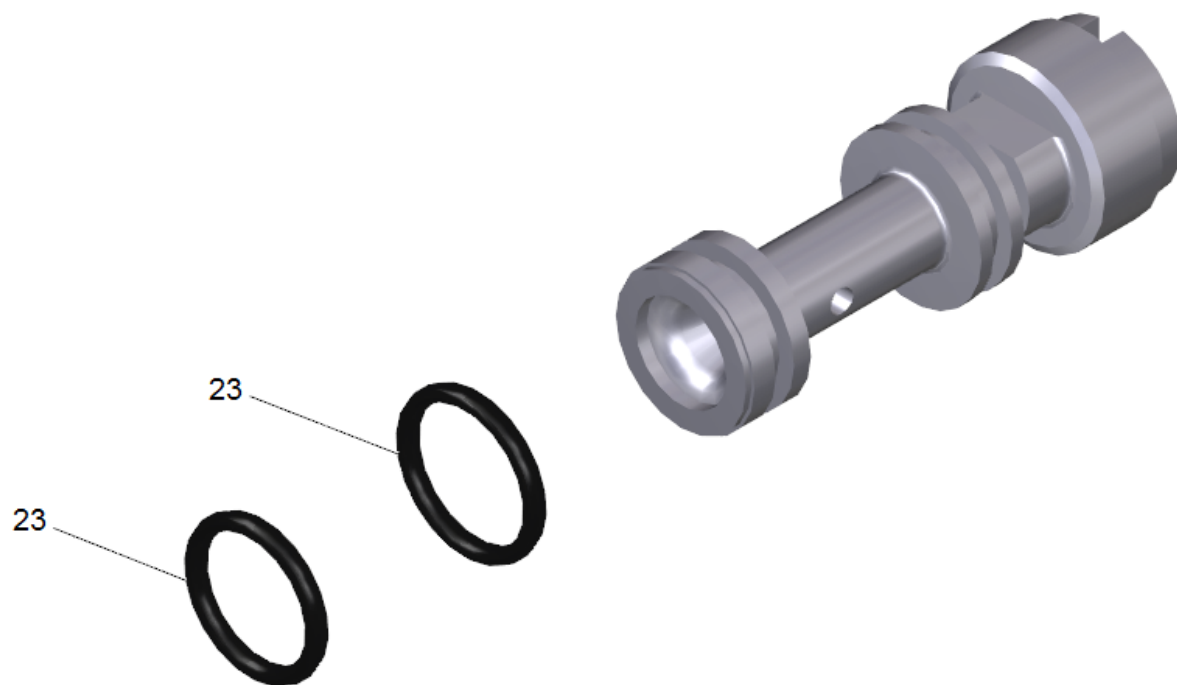
POS	Article no.	Description	Quantity	Unit
103	2.885-408.0	Control piston complete replacement	1.000	ST
163	6.362-030.0	O-Ring seal 15x2 90 Shore IRHD	1.000	ST





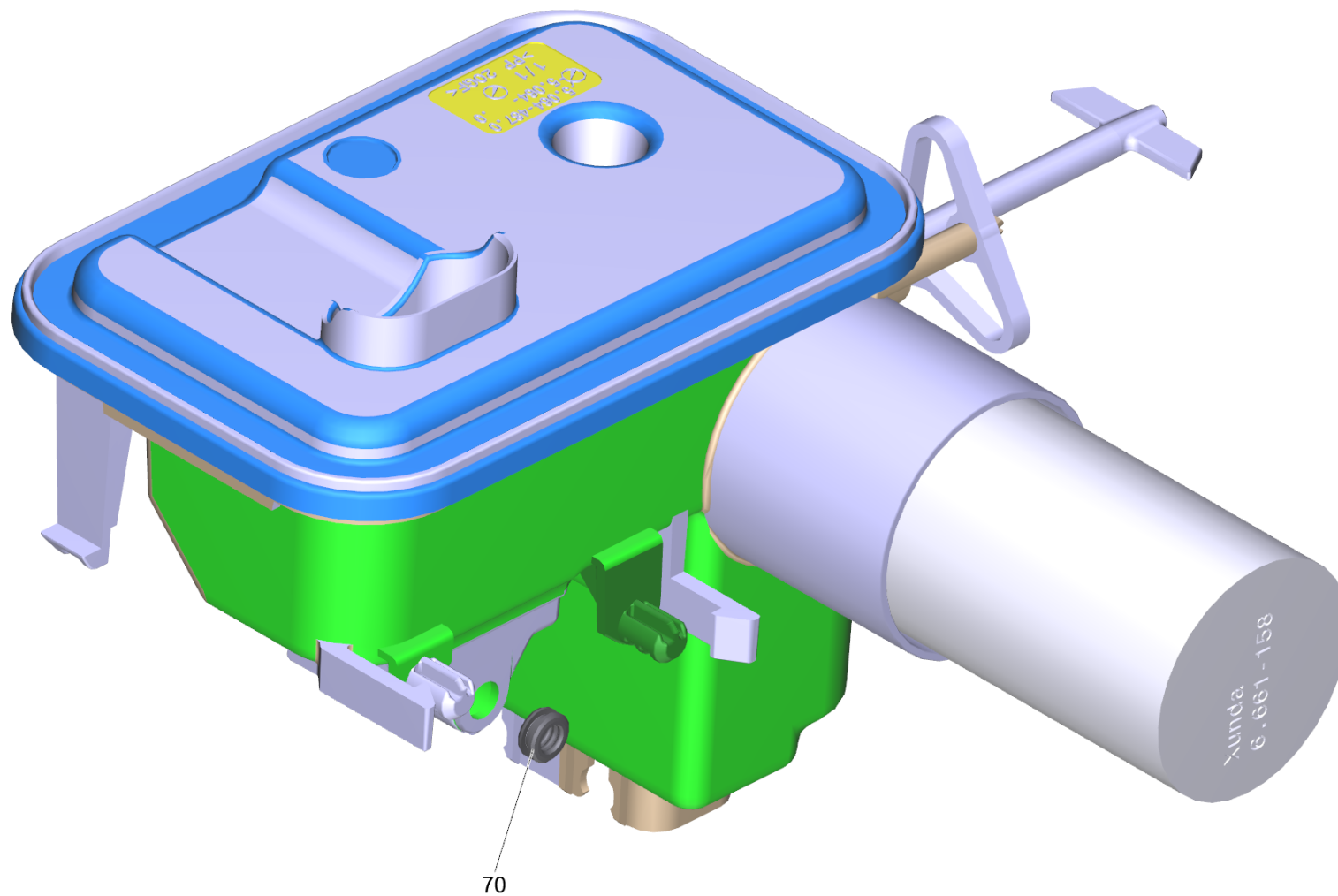
103 Control piston complete replacement (2.885-408.0)

POS	Article no.	Description	Quantity	Unit
132	6.362-101.0	O-Ring seal 8 X 2	1.000	ST
133	6.363-606.0	O-Ring seal 4,7 x 1,9 -NBR70	1.000	ST
136	6.363-614.0	O-Ring seal 9 x 2 -NBR90	1.000	ST
143	6.362-381.0	O-Ring seal 13x2 - NBR 70	1.000	ST



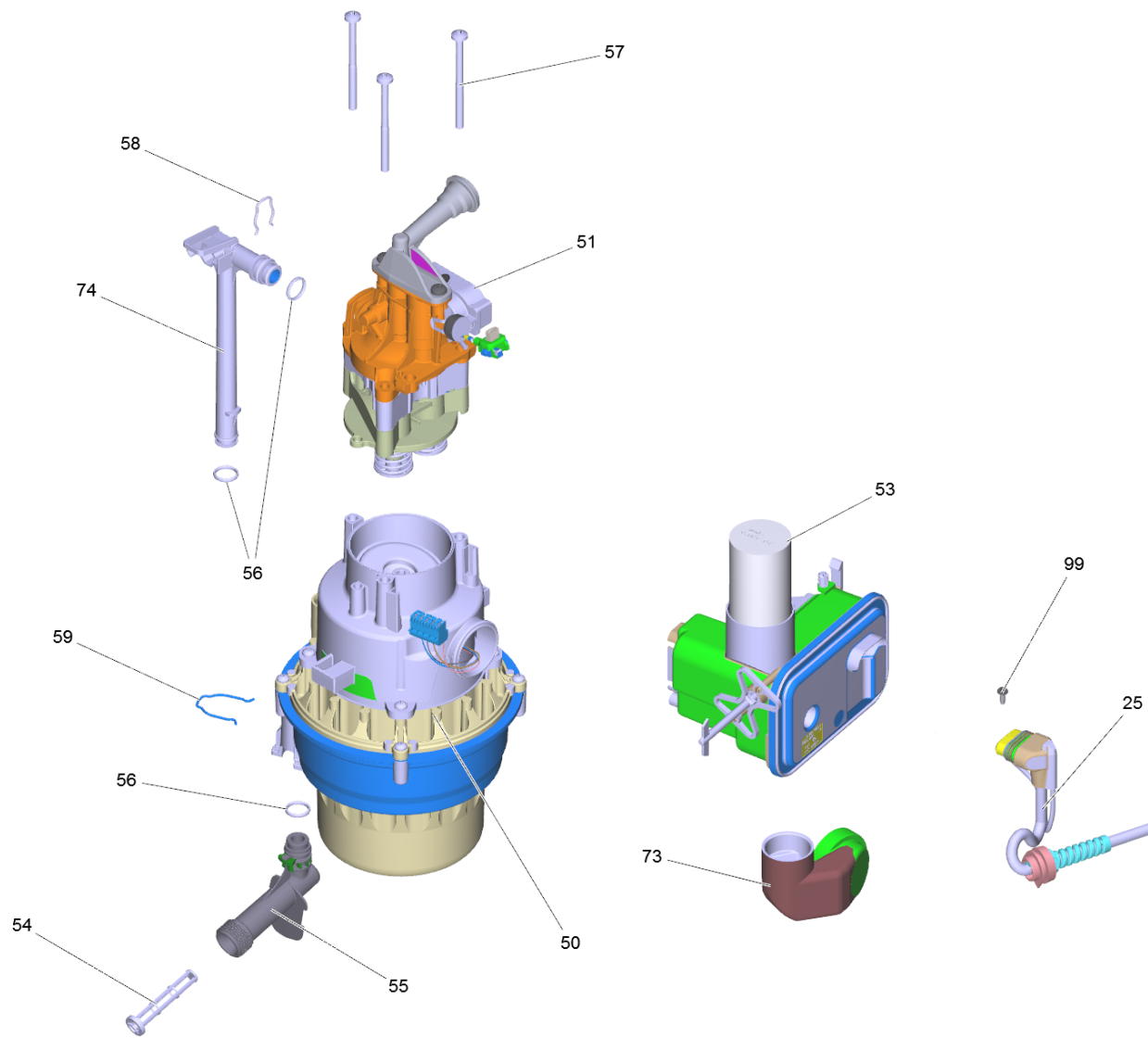
9001 Nozzle insert only for replacement (4.769-034.0)

POS	Article no.	Description	Quantity	Unit
23	6.362-384.0	O-Ring seal 9x1,5 - NBR 70	2.000	ST



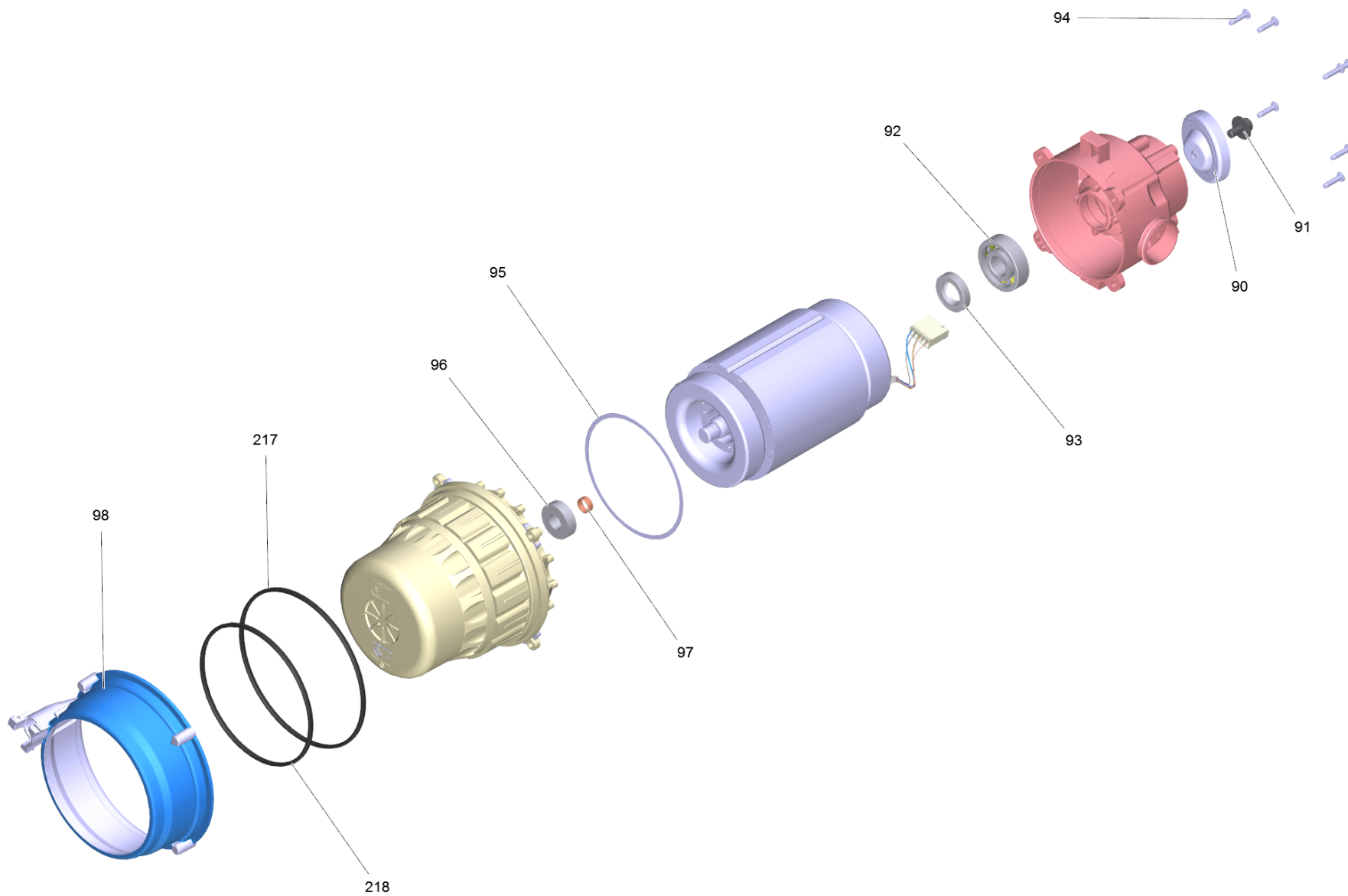
53 Electric box for replacement *EU (4.800-010.3)

POS	Article no.	Description	Quantity	Unit
70	5.363-749.0	Seal control piston	1.000	ST



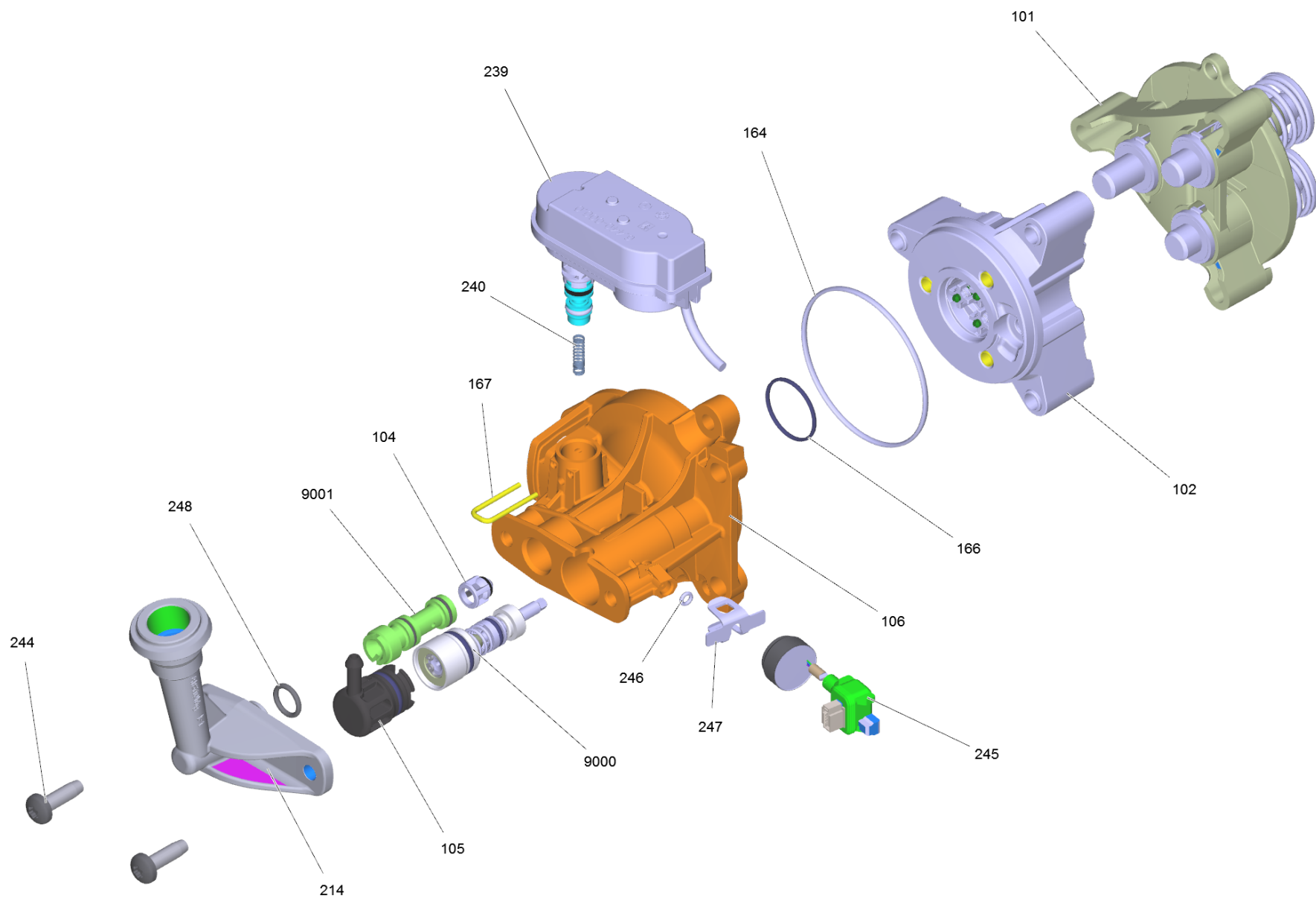
2 Pump set complete K7 *EU 2017

POS	Article no.	Description	Quantity	Unit
25	6.650-486.3	Cable with plug *EU	1.000	ST
50	4.624-311.0	Motor complete replacement K7	1.000	ST
51		Pump head complete K7 2017	1.000	ST
53	4.800-004.3	Electric box complete	1.000	ST
54	5.731-620.0	Fine filter	1.000	ST
55	5.443-015.0	Tube intake	1.000	ST
56	6.363-610.0	O-Ring seal 13 x 3 -NBR	3.000	ST
57	6.303-042.0	Screw M6x80	3.000	ST
58	5.048-915.0	Clamp	1.000	ST
59	5.048-065.0	Clamp pipe intake	1.000	ST
73	5.363-827.0	Connection electric box A-bearing plate	1.000	ST
74	5.443-654.0	Tube Ruecklauf WCM K7 D117	1.000	ST
99	7.303-031.0	Screw M4x10 -St-P2R (In6Rd)	1.000	ST



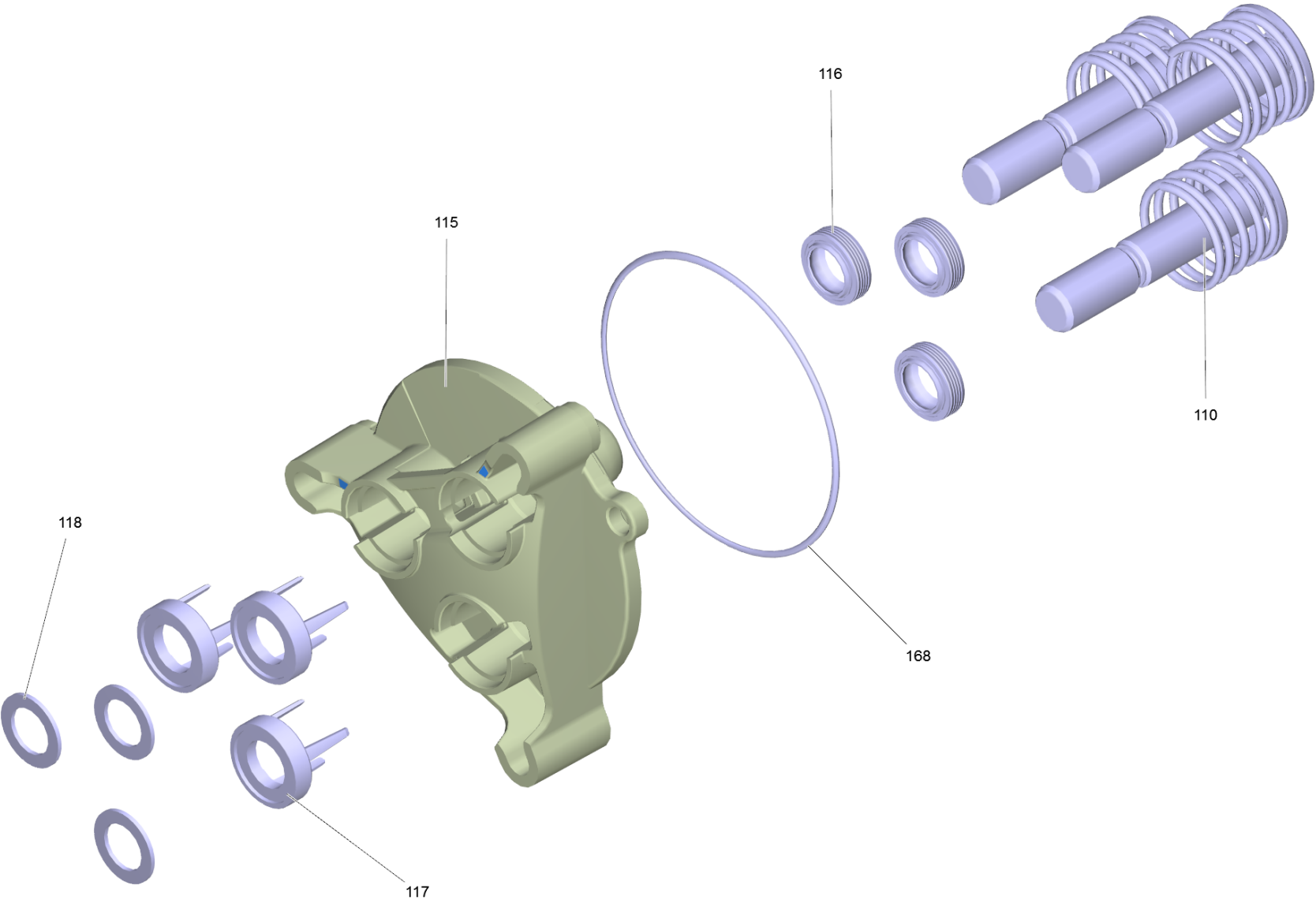
50 Motor complete replacement K7 (4.624-311.0)

POS	Article no.	Description	Quantity	Unit
90	4.120-001.0	Wobble plate complete 13° (D67)	1.000	ST
91	9.086-169.0	Wobble plate screw M8x16	1.000	ST
92	7.401-155.0	Ball bearing 6304-WAELZLAGERST DIN 625	1.000	ST
93	6.367-051.0	Rotary shaft seal -20X37X8 NBR	1.000	ST
94	6.303-320.0	Screw M 5x 20-St-R2R	8.000	ST
95	5.363-590.0	Joint ring	1.000	ST
96	7.401-128.0	Ball bearing 6202-2RS -Wälzl.St DIN 625	1.000	ST
97	6.343-218.0	Tolerance ring 15x6	1.000	ST
98	5.093-025.0	Outer covering water flow	1.000	ST
125	6.288-050.0	Engine oil 1L	1.000	ST
217	6.363-593.0	O-Ring seal 146x5 EPDM	1.000	ST
218	6.363-647.0	O-Ring seal D130x5	1.000	ST



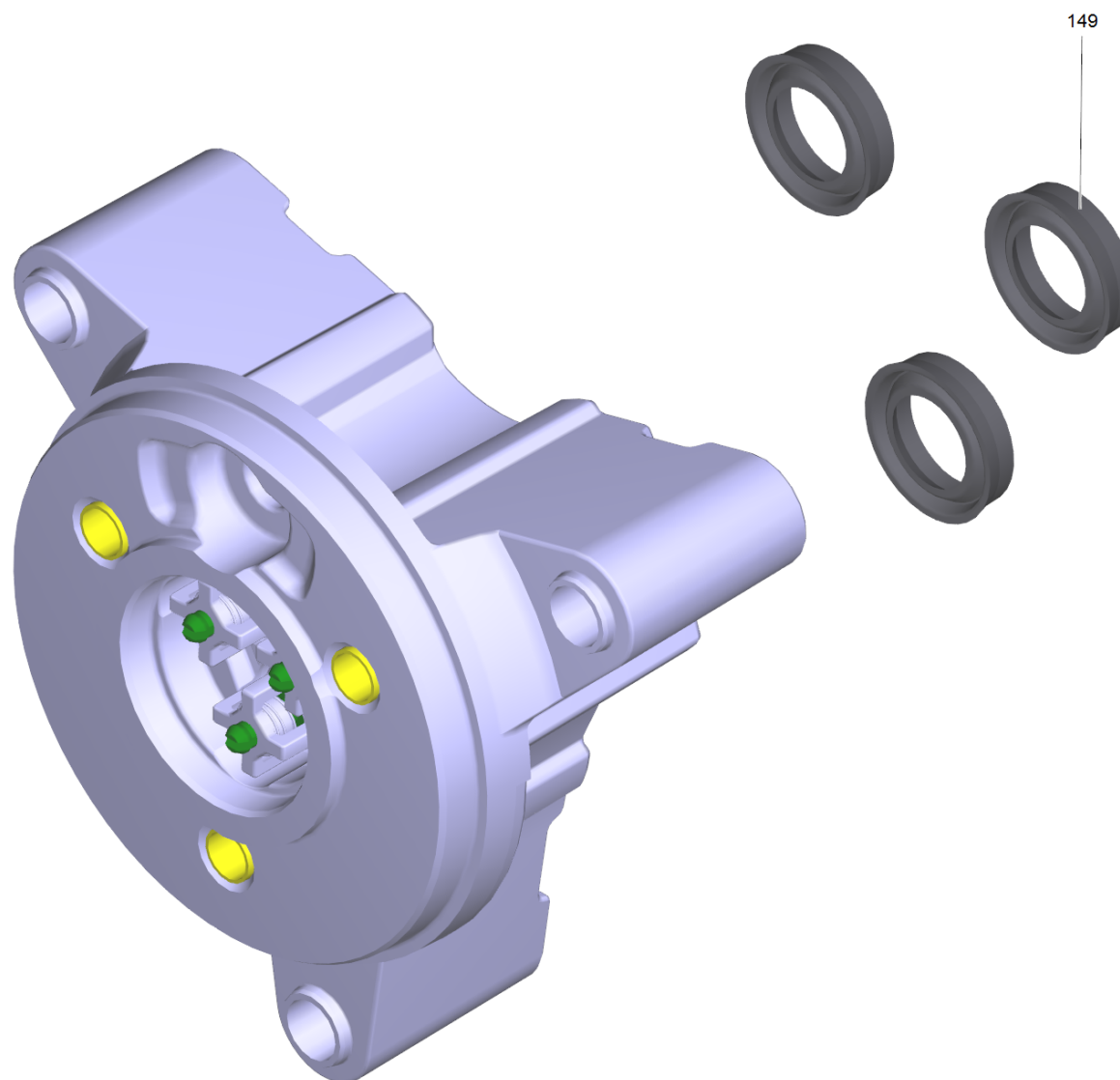
51 Pump head complete K7 2017

POS	Article no.	Description	Quantity	Unit
101		Piston guidance complete	1.000	ST
102	4.550-017.0	Cylinder head aluminium complete	1.000	ST
104	4.584-022.0	Valve pin complete	1.000	ST
105	4.580-025.0	Plug complete	1.000	ST
106	5.062-718.3	Housing waterproof	1.000	ST
164	6.363-616.0	O-Ring seal 60,0x2,0 -NBR70	1.000	ST
166	6.362-562.0	O-Ring seal 21,95X 1,78-NBR 90	1.000	ST
167	5.048-048.0	Clamp	1.000	ST
214	5.789-070.0	High-pressure outlet	1.000	ST
239	6.440-000.3	Lifting drive complete	1.000	ST
240	5.333-215.0	Pressure spring by-pass	1.000	ST
244	7.303-048.0	Screw M6x20 -St-R3R (In6Rd)	2.000	ST
245	6.645-999.3	Pressure sensor complete	1.000	ST
246	6.363-625.0	O-Ring seal 2,7x1,5 NBR90	1.000	ST
247	5.048-047.0	Clamp pressure sensor	1.000	ST
248	6.362-151.0	O-Ring d. 10 x 2 NBR 70	1.000	ST
9000	2.885-186.0	Spare parts set excess-current	1.000	ST
9001	4.769-034.0	Nozzle insert only for replacement	1.000	ST



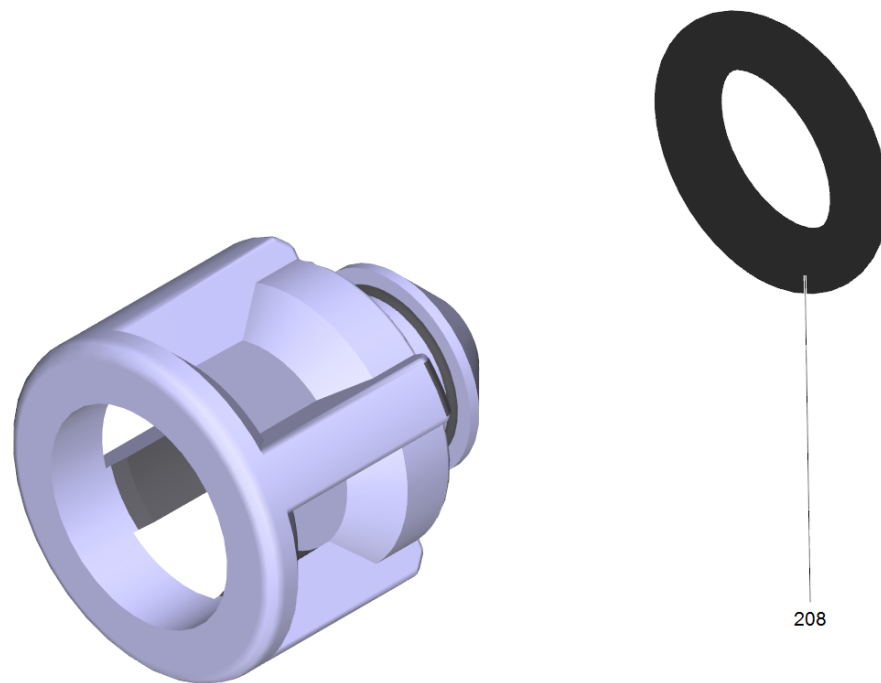
101 Piston guidance complete

POS	Article no.	Description	Quantity	Unit
110	4.553-286.0	Piston complete	3.000	ST
115	5.062-655.0	Piston guidance	1.000	ST
116	6.363-633.0	Grooved ring 12x18x6/5/1	3.000	ST
117	5.116-381.0	Supporting disk	3.000	ST
118	5.116-380.0	Washer piston guidance	3.000	ST
168	6.363-449.0	O-Ring seal 72x2 -NBR70	1.000	ST



102 Cylinder head aluminium complete (4.550-017.0)

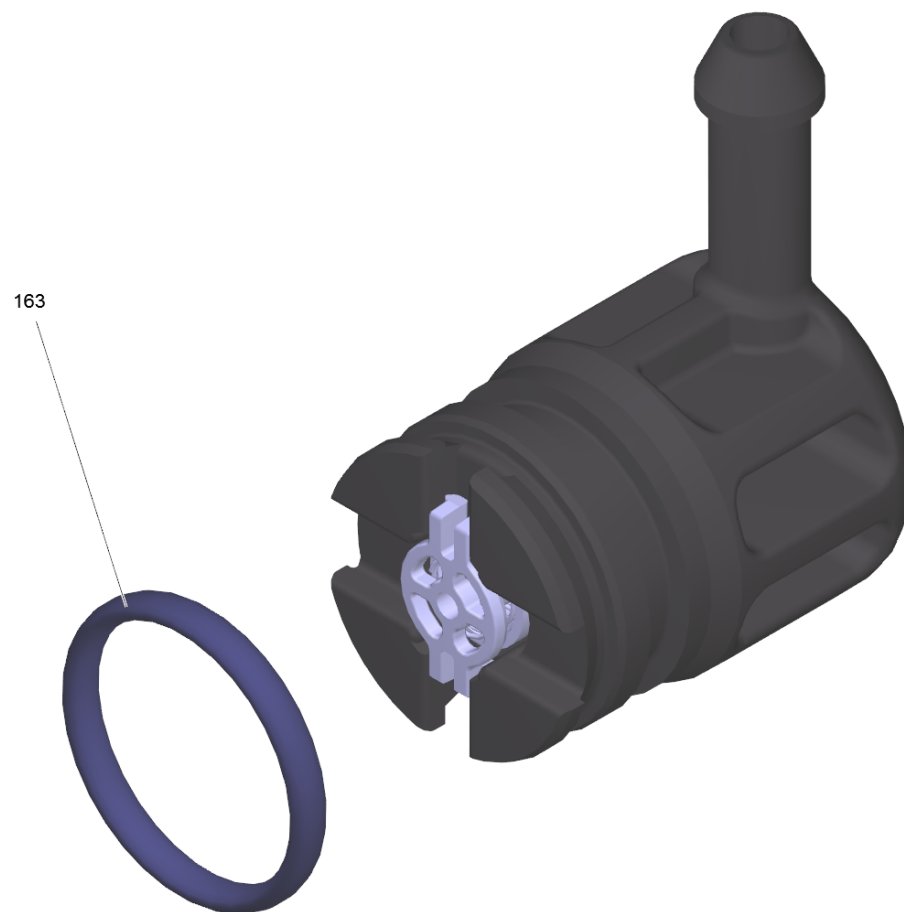
POS	Article no.	Description	Quantity	Unit
149	6.363-435.0	Grooved ring 12x17x4,25/2,5	3.000	ST



208

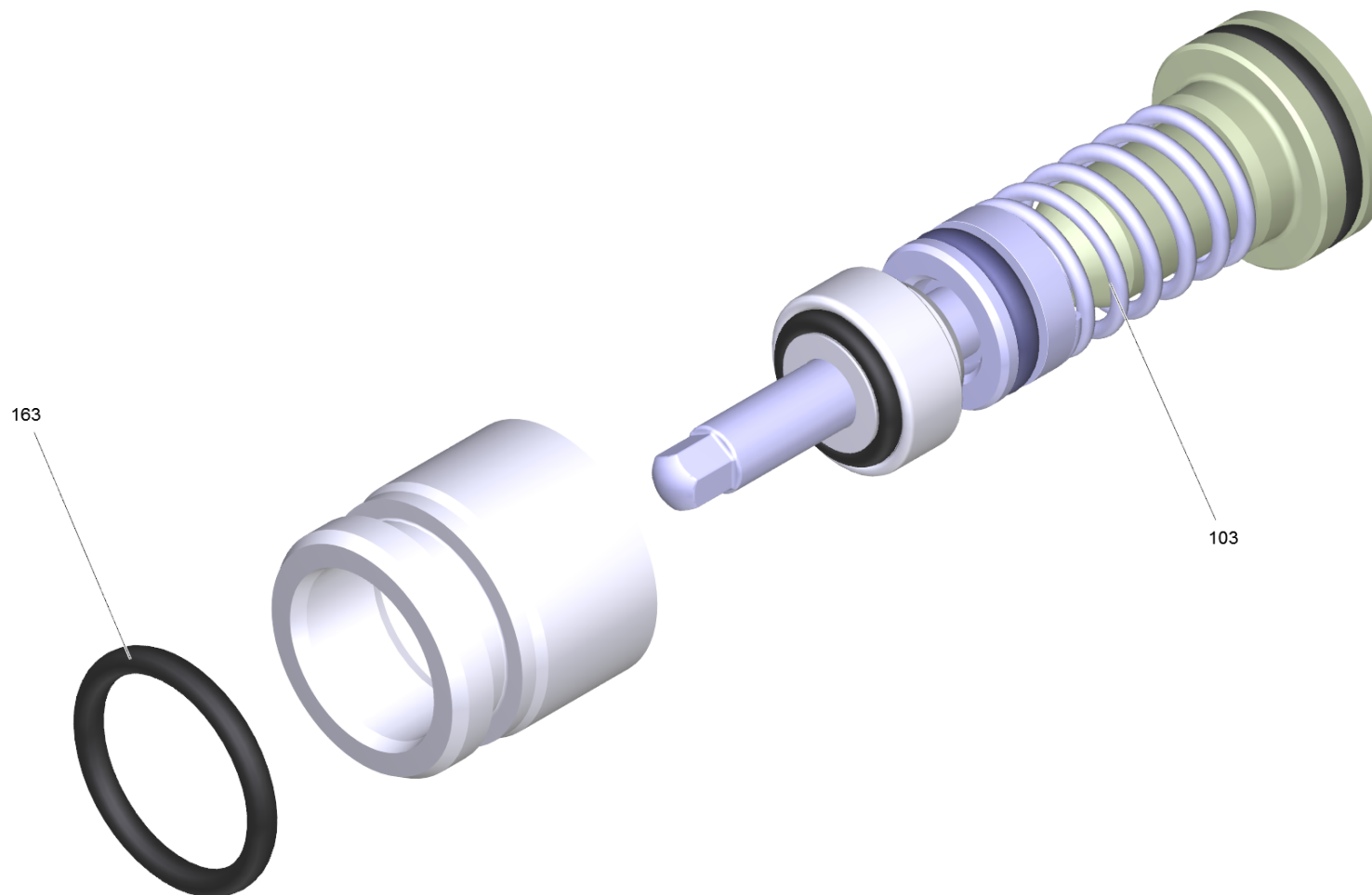
104 Valve pin complete (4.584-022.0)

POS	Article no.	Description	Quantity	Unit
208	6.363-613.0	O-Ring seal 4 x 2 -NBR90	1.000	ST



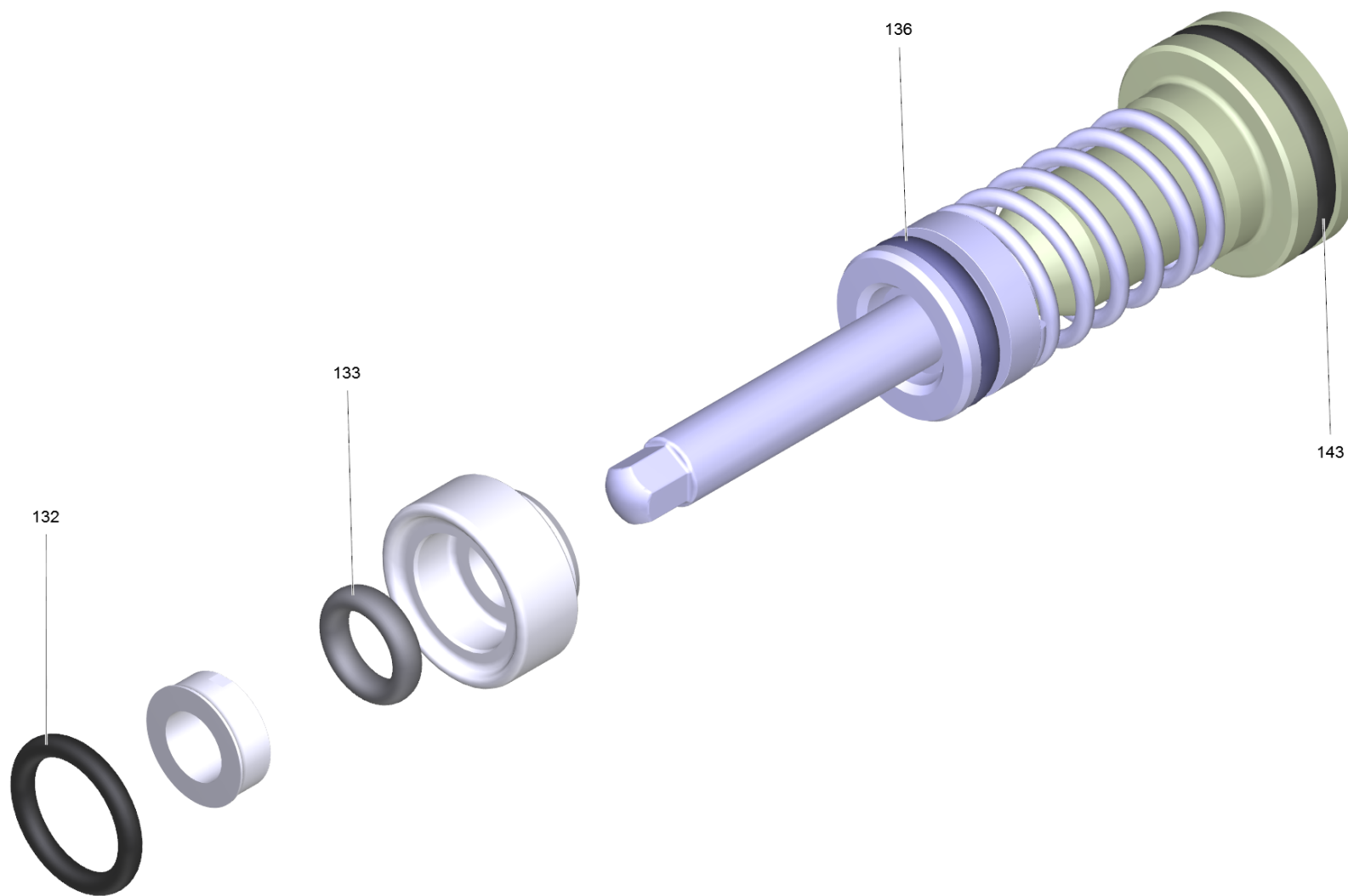
105 Plug complete (4.580-025.0)

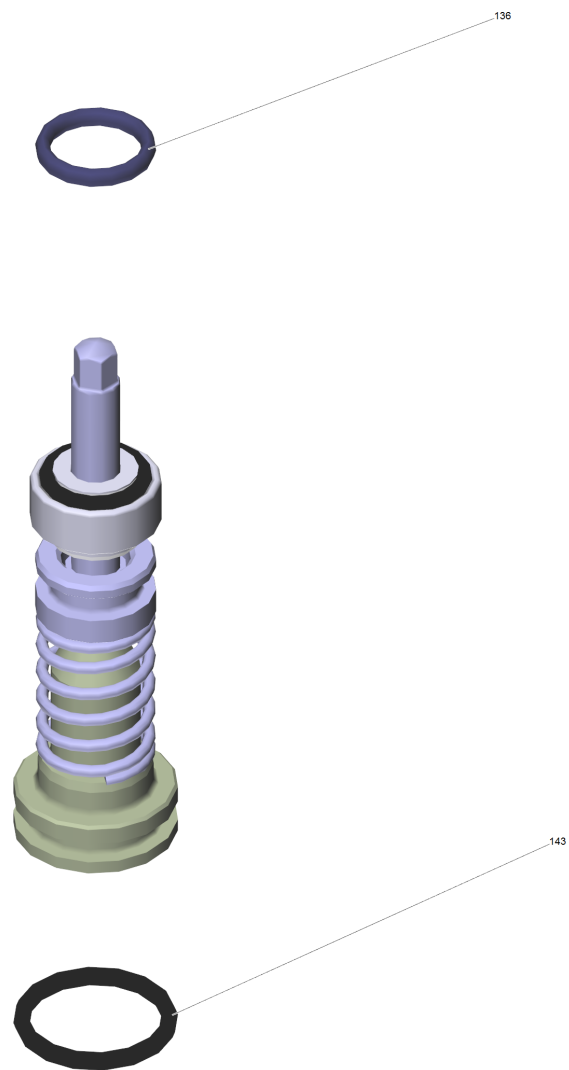
POS	Article no.	Description	Quantity	Unit
163	6.362-030.0	O-Ring seal 15x2 90 Shore IRHD	1.000	ST



9000 Spare parts set excess-current (2.885-186.0)

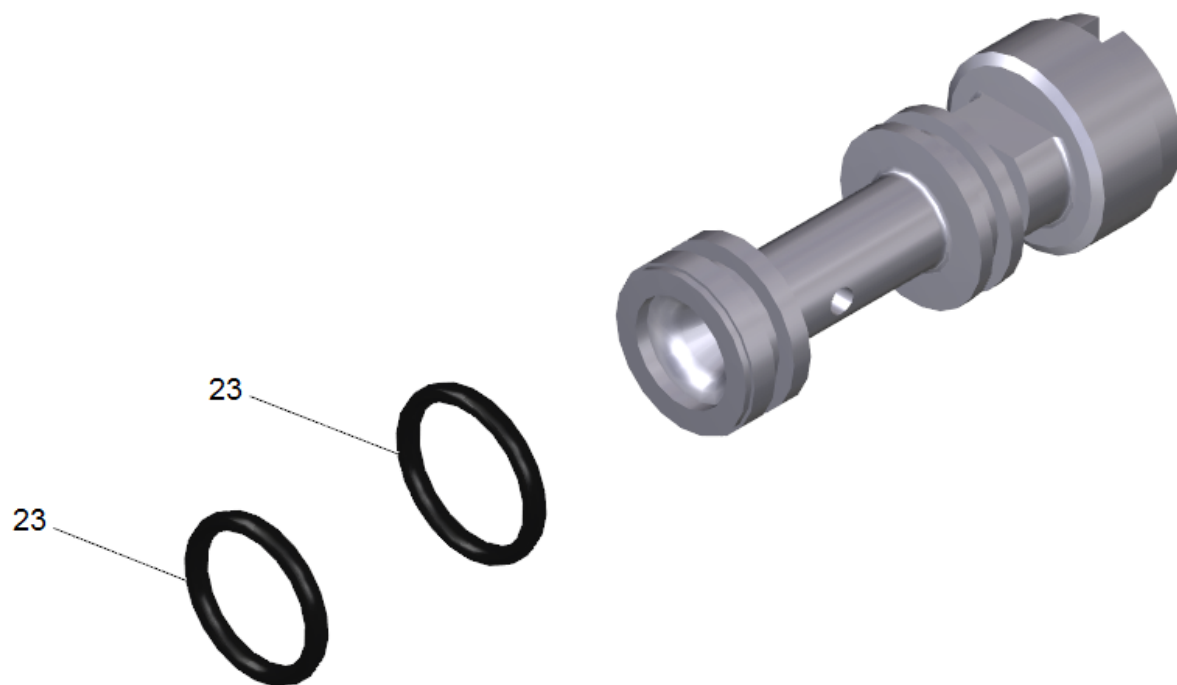
POS	Article no.	Description	Quantity	Unit
103	2.885-408.0	Control piston complete replacement	1.000	ST
163	6.362-030.0	O-Ring seal 15x2 90 Shore IRHD	1.000	ST





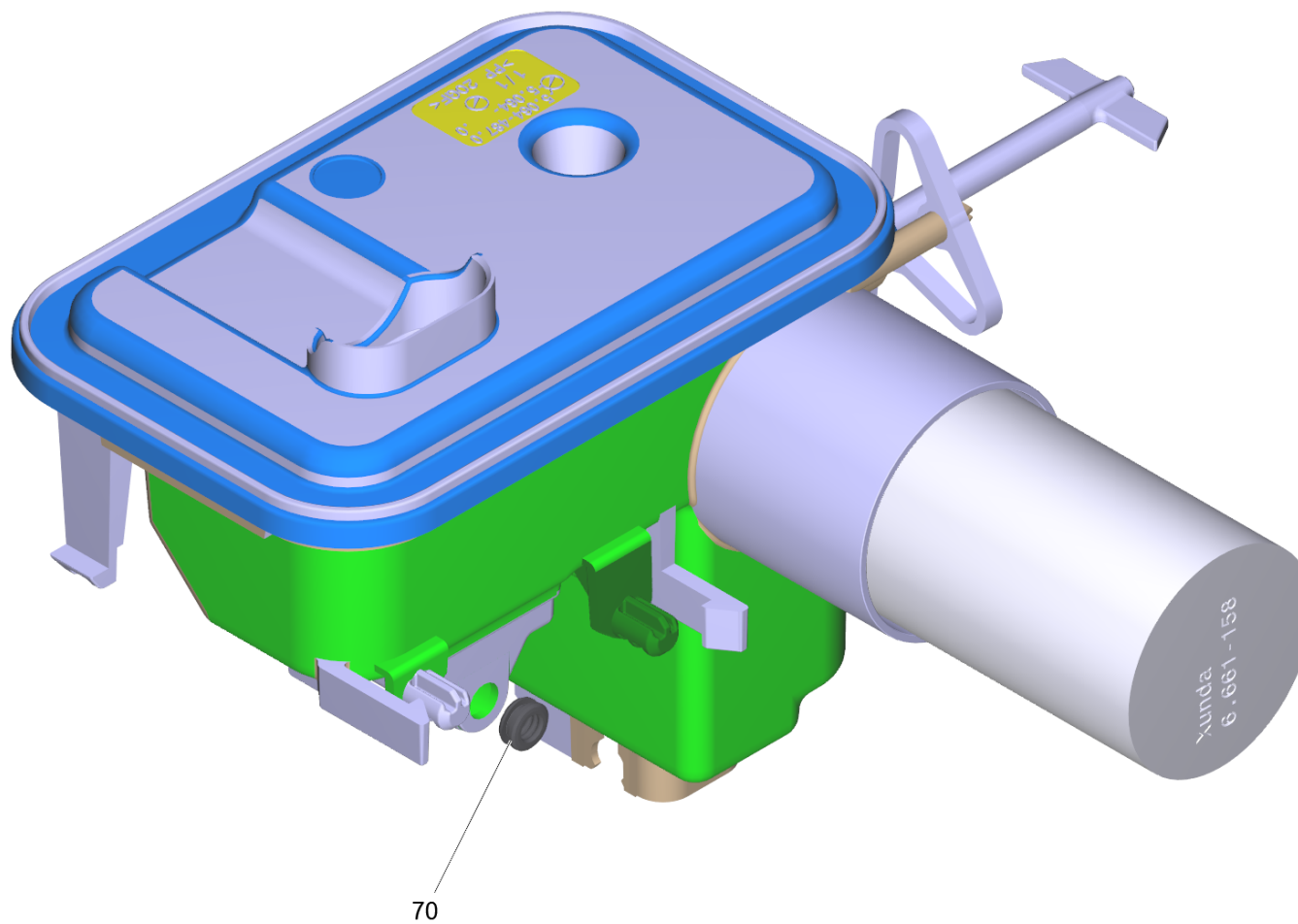
103 Control piston complete replacement (2.885-408.0)

POS	Article no.	Description	Quantity	Unit
132	6.362-101.0	O-Ring seal 8 X 2	1.000	ST
133	6.363-606.0	O-Ring seal 4,7 x 1,9 -NBR70	1.000	ST
136	6.363-614.0	O-Ring seal 9 x 2 -NBR90	1.000	ST
143	6.362-381.0	O-Ring seal 13x2 - NBR 70	1.000	ST



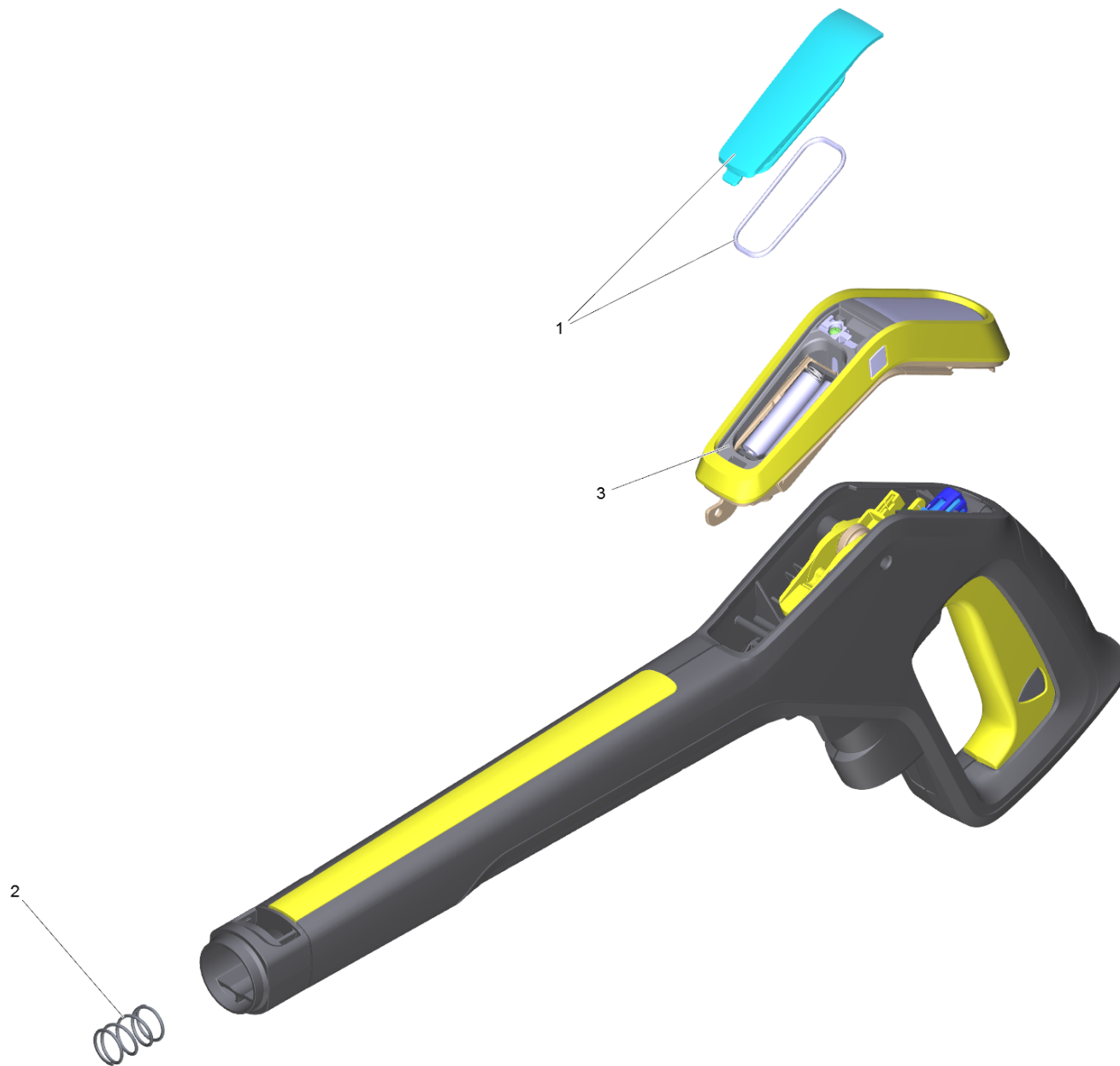
9001 Nozzle insert only for replacement (4.769-034.0)

POS	Article no.	Description	Quantity	Unit
23	6.362-384.0	O-Ring seal 9x1,5 - NBR 70	2.000	ST



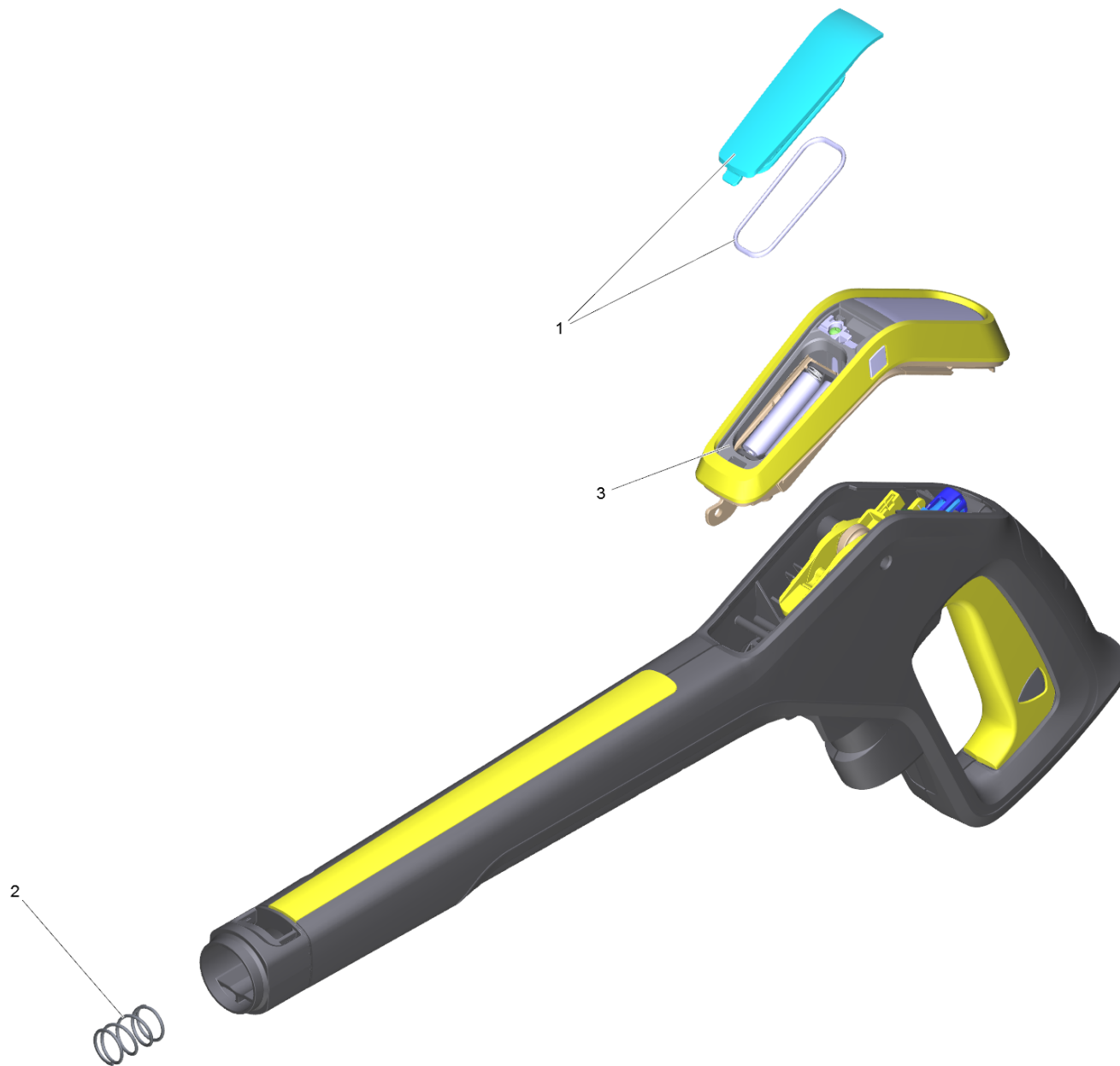
53 Electric box complete (4.800-004.3)

POS	Article no.	Description	Quantity	Unit
70	5.363-749.0	Seal control piston	1.000	ST



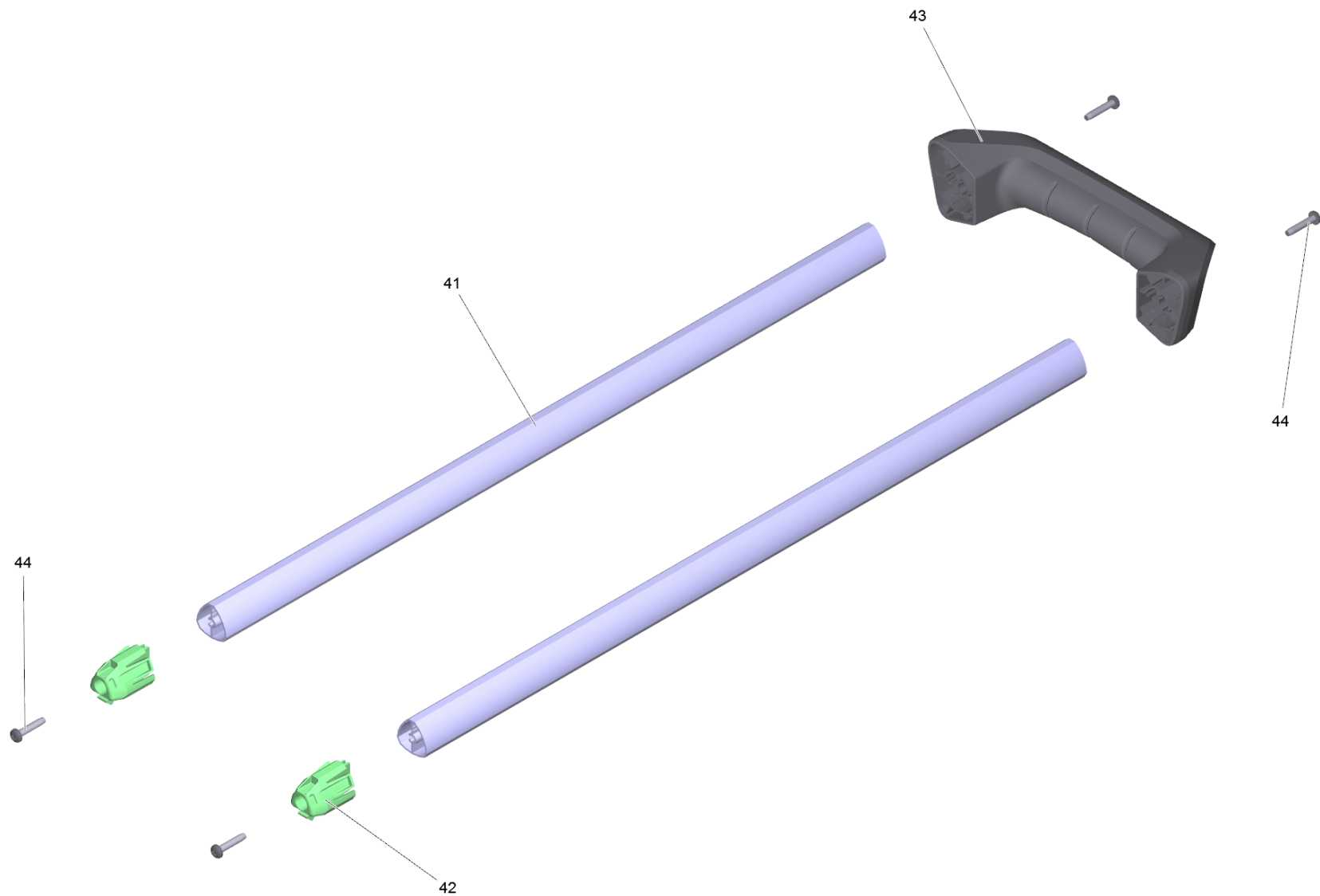
10 G 180 Q Full Control Plus Pistole (2.643-992.0)

POS	Article no.	Description	Quantity	Unit
1	2.885-476.0	Spare part set cover battery G 160 Q Ful	1.000	ST
2	5.332-464.0	Pressure spring	1.000	ST
3	4.762-579.3	Electrical box pistol G180 Q FC *EU	1.000	ST



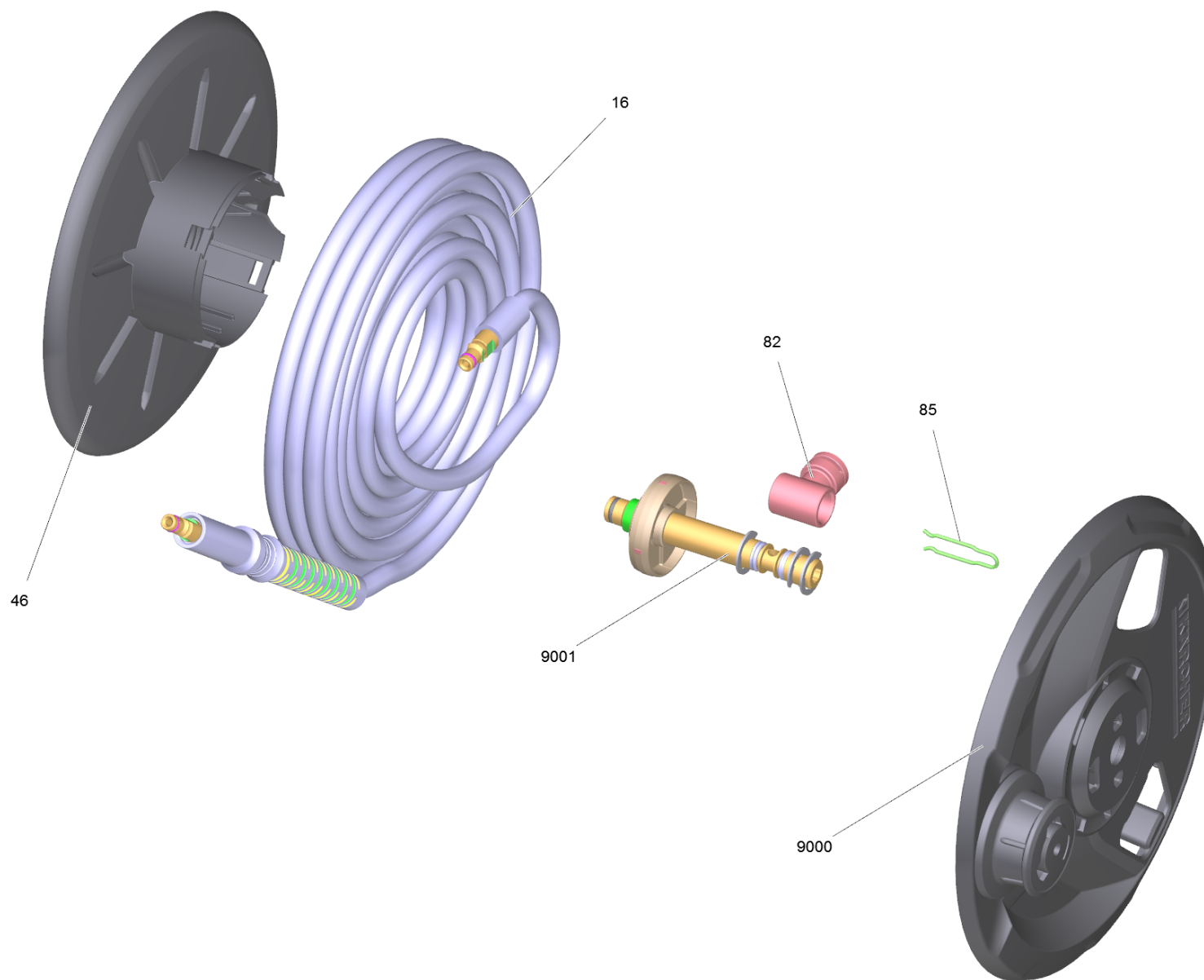
10 G 180 Q Full Control Plus Pistole (2.643-992.0)

POS	Article no.	Description	Quantity	Unit
1	2.885-476.0	Spare part set cover battery G 160 Q Ful	1.000	ST
2	5.332-464.0	Pressure spring	1.000	ST
3	4.762-579.3	Electrical box pistol G180 Q FC *EU	1.000	ST



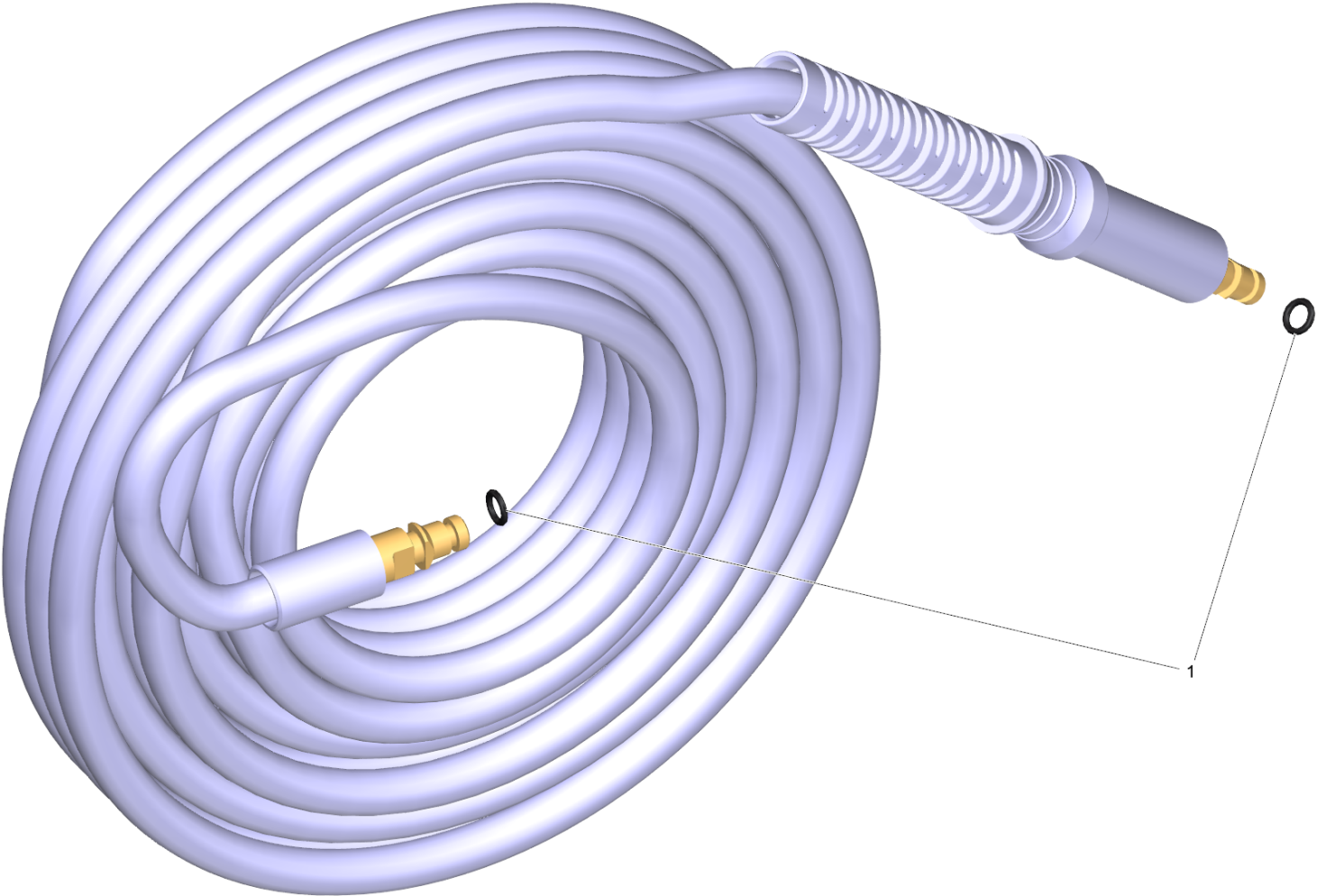
14 Handhold complete

POS	Article no.	Description	Quantity	Unit
41	5.105-015.0	Tube L=500	2.000	ST
42	5.052-034.0	End piece	2.000	ST
43	5.322-163.0	Hand grip	1.000	ST
44	7.303-034.0	Screw M4x20-ST-R2R (IN6RD)	4.000	ST



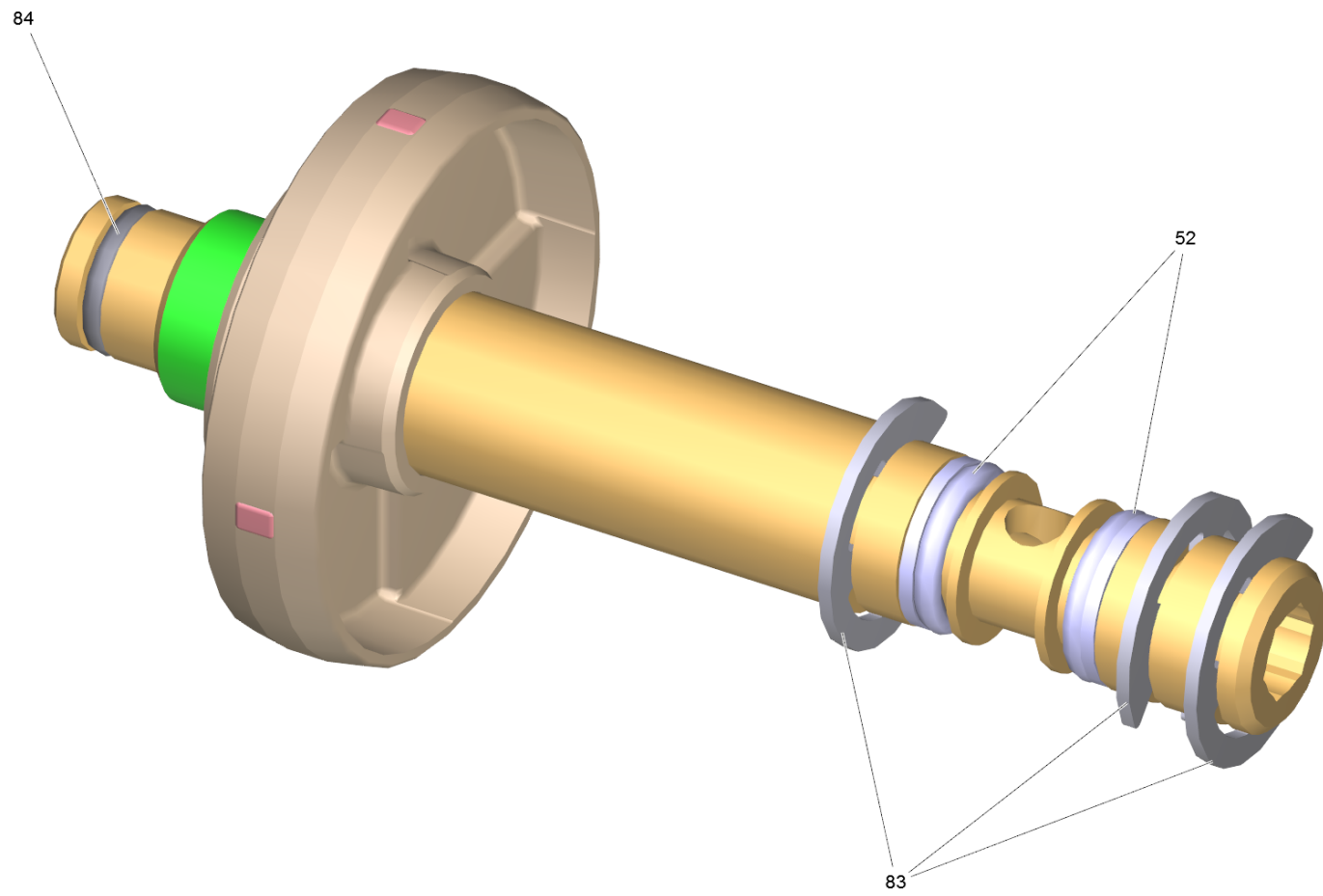
28 Hose reel high-pressure complete (18MPa)

POS	Article no.	Description	Quantity	Unit
16	6.396-493.0	High pressure hose 18MPa/10 60°C QC B	1.000	ST
46	9.038-492.3	Hose reel inside	1.000	ST
82	5.401-308.0	Rotary bushing	1.000	ST
85	5.059-401.0	Clamp	1.000	ST
123	6.288-088.0	Grease Molikote 55 M	1.000	ST
9000	2.885-471.0	Spare parts set hose reel	1.000	ST
9001	2.885-472.0	Spare parts set hollow shaft	1.000	ST



16 High pressure hose 18MPa/10 60°C QC B (6.396-493.0)

POS	Article no.	Description	Quantity	Unit
1	2.640-729.0	O-Ring seal set	1.000	ST



9001 Spare parts set hollow shaft (2.885-472.0)

POS	Article no.	Description	Quantity	Unit
52	6.363-628.0	O-Ring seal complete	2.000	ST
83	7.343-306.0	Lock washer 12-St-A2E DIN 6799	3.000	ST
84	6.362-151.0	O-Ring d. 10 x 2 NBR 70	1.000	ST