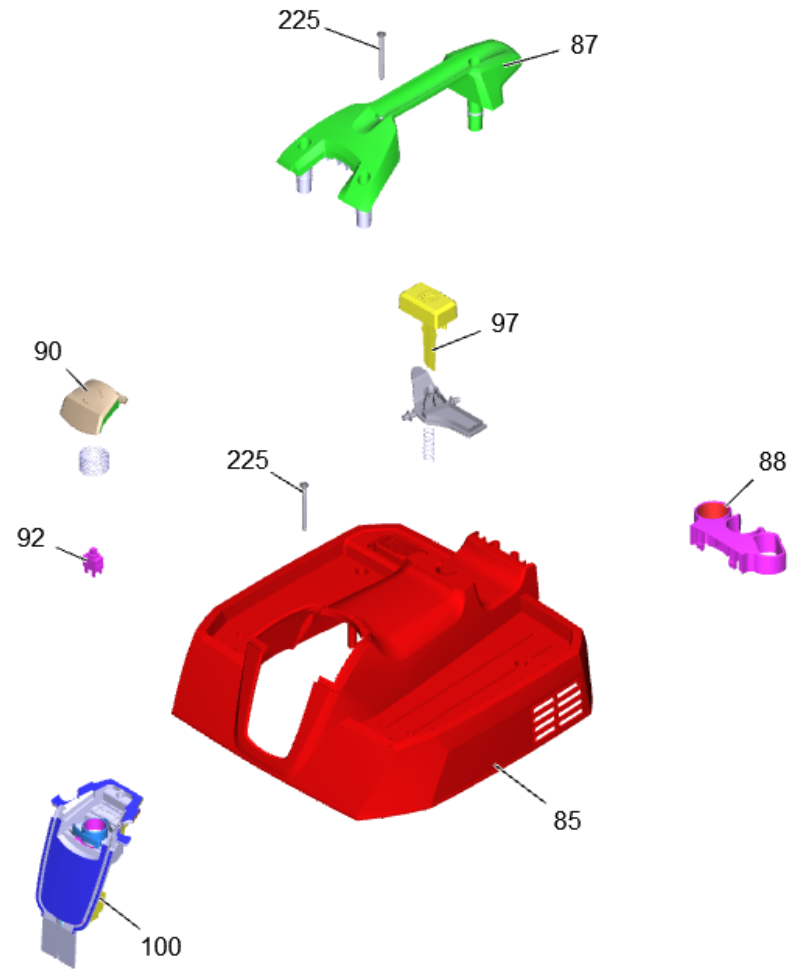


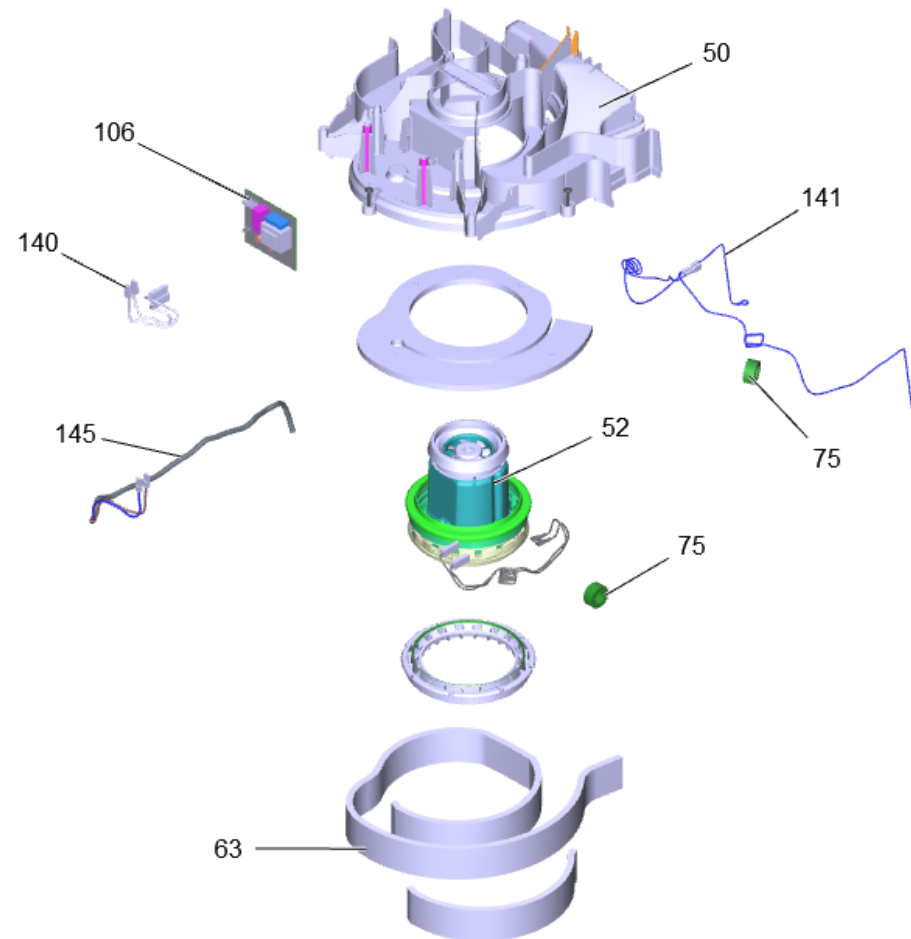
# 8 Spare parts list NT 20/1 Ap \*EU (5.972-720.0)

Professional \ Vacuum cleaner \ Wet-dry vacuum cleaner \ NT 20/1 Ap\*EU \ Spare parts list NT 20/1 Ap \*EU



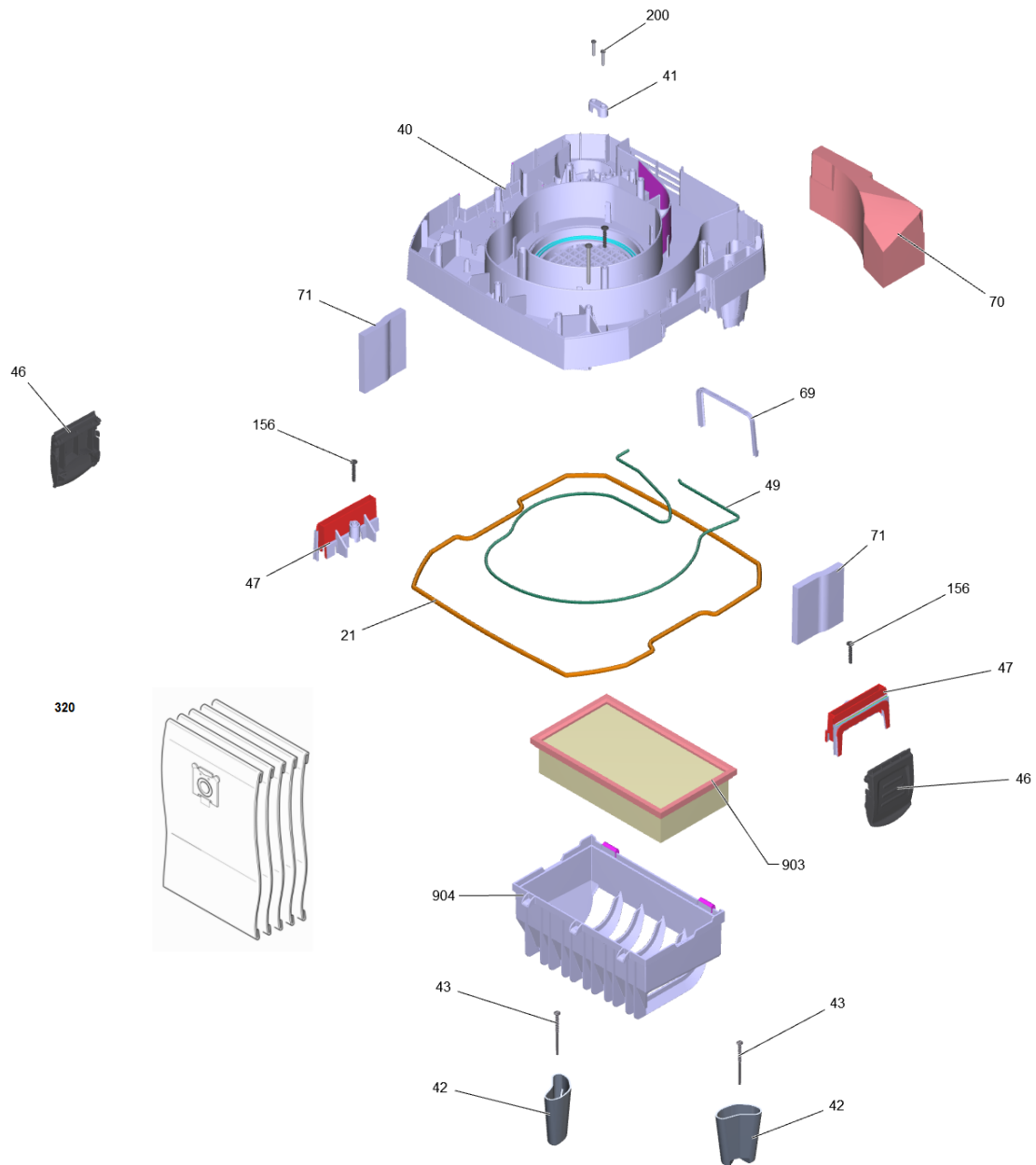
## 8 Spare parts list NT 20/1 Ap \*EU (5.972-720.0)

Professional \ Vacuum cleaner \ Wet-dry vacuum cleaner \ NT 20/1 Ap\*EU \ Spare parts list NT 20/1 Ap \*EU



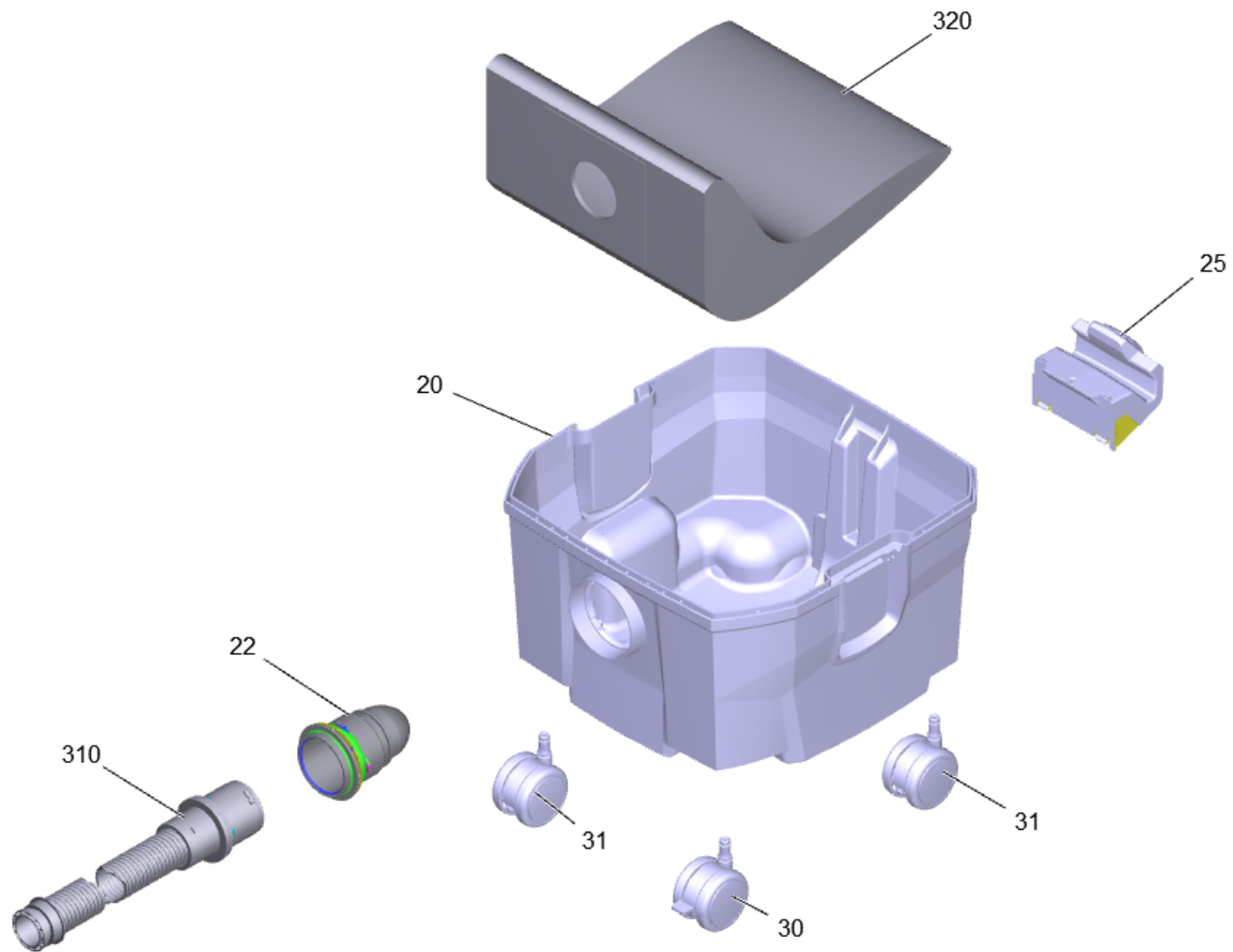
# 8 Spare parts list NT 20/1 Ap \*EU (5.972-720.0)

Professional \ Vacuum cleaner \ Wet-dry vacuum cleaner \ NT 20/1 Ap\*EU \ Spare parts list NT 20/1 Ap \*EU



## 8 Spare parts list NT 20/1 Ap \*EU (5.972-720.0)

Professional \ Vacuum cleaner \ Wet-dry vacuum cleaner \ NT 20/1 Ap\*EU \ Spare parts list NT 20/1 Ap \*EU



## 8 Spare parts list NT 20/1 Ap \*EU (5.972-720.0)

Professional \ Vacuum cleaner \ Wet-/dry vacuum cleaner \ NT 20/1 Ap\*EU \ Spare parts list NT 20/1 Ap \*EU



POS	Article no.	Description	Quantity	Unit	Remark
999		Accessories	1.000	ST	
47	5.045-016.0	Blank holder strap	2.000	ST	
70	6.414-700.0	Blowing filter	1.000	ST	
71	6.414-706.0	Blowing filter cooling air	2.000	ST	
42	5.044-407.0	Bracket probe RAL 9005	2.000	ST	
140		Cable grey 1,5mm <sup>2</sup> x240mm	1.000	ST	
141	6.650-418.0	Cable probe light blue 0,5mm <sup>2</sup> x810mm	2.000	ST	
100	5.841-567.0	Control panel closed	1.000	ST	
85	4.069-043.0	Cover Professional packaged	1.000	ST	
31	6.435-420.0	Double castor	3.000	ST	
30	6.435-419.0	Double castor with parking brake	1.000	ST	
106	6.682-476.0	Electronics	1.000	ZSA	
75	6.346-043.0	Ferrite ring	2.000	ST	
320	6.907-469.0	Filter bag fleece 5 Stk. Kärcher	1.000	ST	
904	5.731-668.0	Filter cassette staubgrau RAL 7037	1.000	ST	
44	5.731-668.0	Filter cassette staubgrau RAL 7037	1.000	ST	
903	6.904-360.0	Flat-pleated filter only for replacement	1.000	ST	PES
903	6.904-367.0	Flat filter only for replacement Kaerche	1.000	ST	
45	6.904-367.0	Flat filter only for replacement Kaerche	1.000	ST	
325	6.903-284.0	Floor tool DN35	1.000	ST	
87	5.322-161.0	Handhold cover	1.000	ST	
88	5.033-915.0	Holder accessories yellow	1.000	ST	
25	5.044-442.0	Holder floor nozzle basaltgrau RAL 7012	1.000	ST	
40	5.605-415.0	Housing base plate	1.000	ST	
50	5.605-418.0	Housing vacuum motor	1.000	ST	
205	6.343-145.0	Lock washer 5	4.000	ST	
145	4.649-088.0	Power cable complete *EU	1.000	ST	
43	5.107-317.0	Probe	2.000	ST	
90	4.324-058.0	Pushbutton complete	1.000	ST	
97	4.324-059.0	Pushbutton dedusting complete	1.000	ST	
41	5.034-505.0	Retaining bracket cable	1.000	ST	
219	7.303-206.0	Screw 3,5x16 -10.9-A2E (In6Rd)	2.000	ST	
200	6.303-150.0	Screw 4,2x 22	2.000	ST	

## 8 Spare parts list NT 20/1 Ap \*EU (5.972-720.0)

Professional \ Vacuum cleaner \ Wet-/dry vacuum cleaner \ NT 20/1 Ap\*EU \ Spare parts list NT 20/1 Ap \*EU



POS	Article no.	Description	Quantity	Unit	Remark
102	7.303-205.0	Screw 4x16-St-10.9-R2R (In6Rd)	1.000	ST	
217	7.303-086.0	Screw 5x30 -10.9-R2R (K-In6Rd)	7.000	ST	
225	7.303-315.0	Screw 5x60 -10.9-R2R (K-In6Rd)	8.000	ST	
69	5.363-826.0	Seal blowing filter	1.000	ST	
56	9.079-024.0	Seal motor above	1.000	ST	
49	6.273-355.0	Seal string cellular rubber D3	1.000	ST	
21	6.363-669.0	Seal string cellular rubber D6	1.000	ST	
63	2.885-416.0	Set insulating mats	1.000	ST	
46	5.034-021.0	Strap closure RAL 1018	2.000	ST	
22	5.031-602.0	Suction connection	1.000	ST	
310	4.440-626.0	Suction hose C DN35	1.000	ST	
92	6.630-437.0	Switch on/off	1.000	ST	
20	4.070-997.0	Tank complete RAL 7012	1.000	ST	
52	4.610-087.0	Vac motor complete DOMEL 230V	1.000	ST	