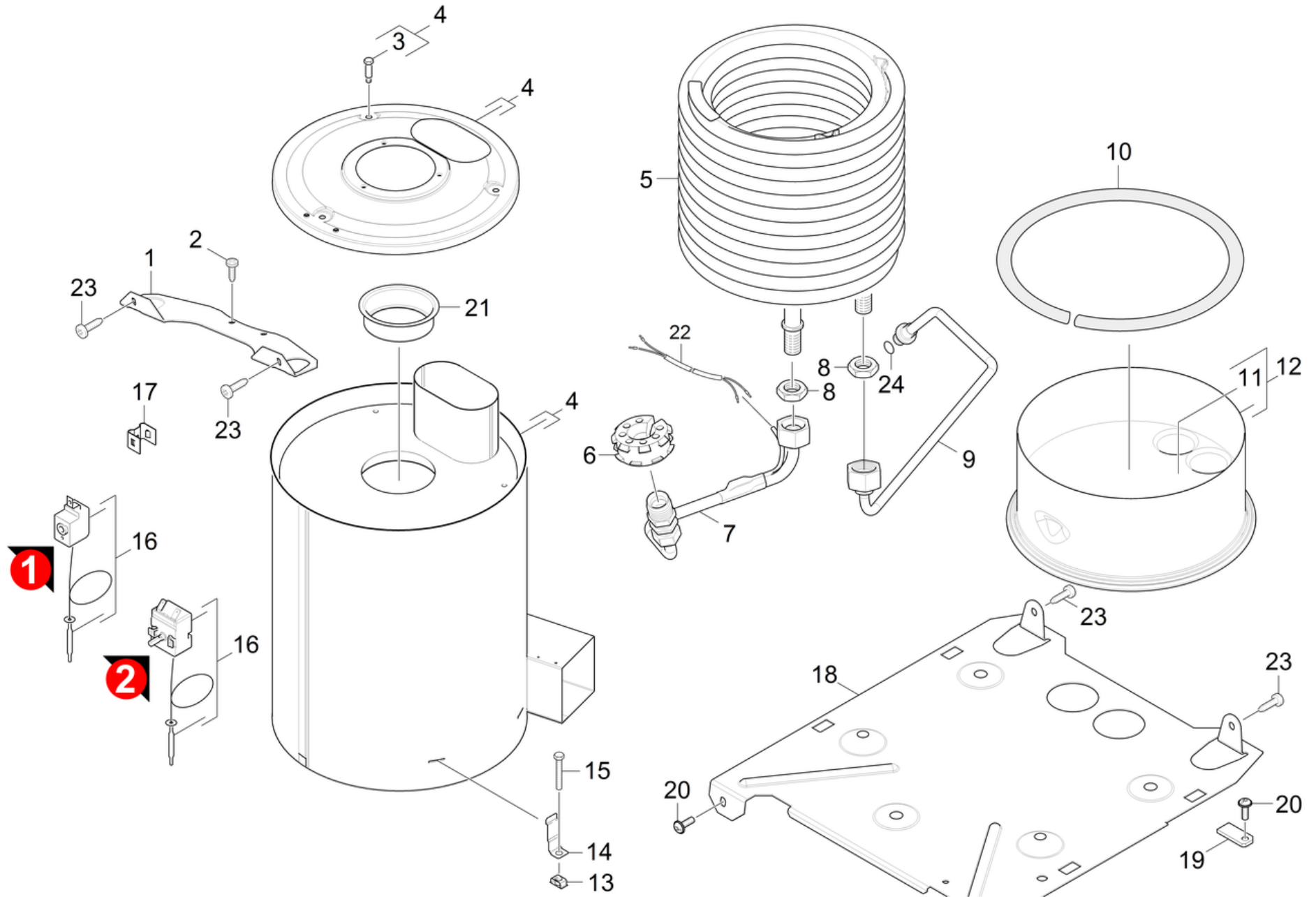


72 Heating coil

Professional \ High pressure cleaner hotwater \ Electric motor \ HDS 5/11 U *EU \ Spare parts list HDS 5/11 U \ Flow heater \ Heating coil



72 Heating coil

Professional \ High pressure cleaner hotwater \ Electric motor \ HDS 5/11 U *EU \ Spare parts list HDS 5/11 U \ Flow heater \ Heating coil

KÄRCHER

POS	Article no.	Description	Quantity	Unit	Remark
1	5.010-350.0	Plate shearing shackle	1	PC	
2	7.303-038.0	Screw M5x12 -St-P2R (In6Rd)	2	PC	
3	6.303-258.0	Self-tapping screw	3	PC	
4	4.652-152.0	Vessel mantel complete	1	PC	
5	4.680-129.0	Heating coil VA	1	PC	
	Item text1: 1.064-008.0				
5	4.680-154.0	Heating coil	1	PC	
	Item text1: 1.064-001.0 /-002.0				
6	5.767-023.0	Rubber buffer	1	PC	
7	4.422-954.0	Pipelines complete HDS upright U	1	PC	
	Item text1: 1.064-001.0 /-008.0				
8	7.311-112.0	Hexagon nut M22X1,5 -22H-A2E DIN 936	2	PC	
9	4.422-953.0	Pipelines complete HDS upright	1	PC	
10	6.366-009.0	Seal string	1	PC	
11	2.889-061.0	Refractory material 8kg	1	PC	
12	4.655-044.0	Bottom pressure boiler	1	PC	
13	6.310-081.0	Cage nut M 8	4	PC	
14	5.044-420.0	Holder	4	PC	
15	7.304-051.0	Hexagonal head screw M 8x16 -8.8-P2R EN 1665	4	PC	
16	2.885-208.0	Conversion kit electric box HDS 5/11	1	PC	VERSION 1
16	6.686-502.0	Thermostat fixed adjusted	1	PC	VERSION 2
17	5.034-834.0	Holder probe	1	PC	
18	5.010-349.0	Bottom plate HDS upright	1	PC	
19	5.503-018.0	Plate quick lock	1	PC	
20	7.303-108.0	Screw 5x20 -10.9-R2R (In6Rd)	3	PC	
21	5.664-272.0	Flame tube	1	PC	
22	6.686-469.0	Cable temperature limiter	1	PC	
23	7.303-047.0	Screw M6x16 -St-R3R (In6Rd)	4	PC	
24	4.363-691.0	O-Ring seal kpl. -nur fuer Ersatz-	1	PC	