



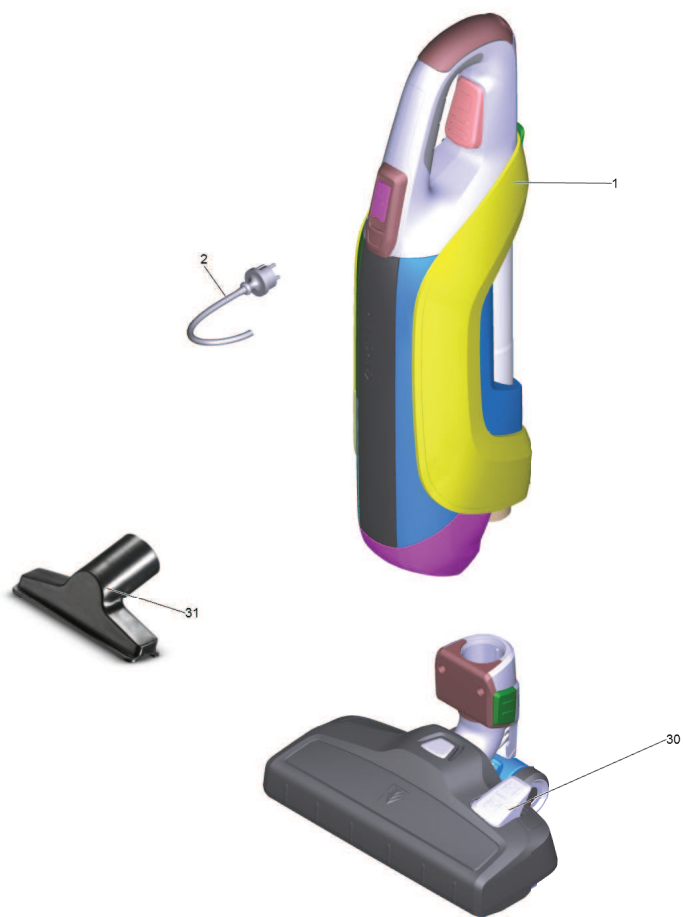
Spare parts list
(1.349-100.0) VC 5 *EU-I

Table of contents

VC 5 *EU-I (1.349-100.0)	3
Spare parts list VC 5 *EU-I (5.974-370.0)	4
1 Basic unit yellow 220 - 240 V	6
21 Filter box completely yellow (4.195-099.3)	8
21 Filter box complete yellow	10
210 Short spare parts list	12

VC 5 *EU-I (1.349-100.0)

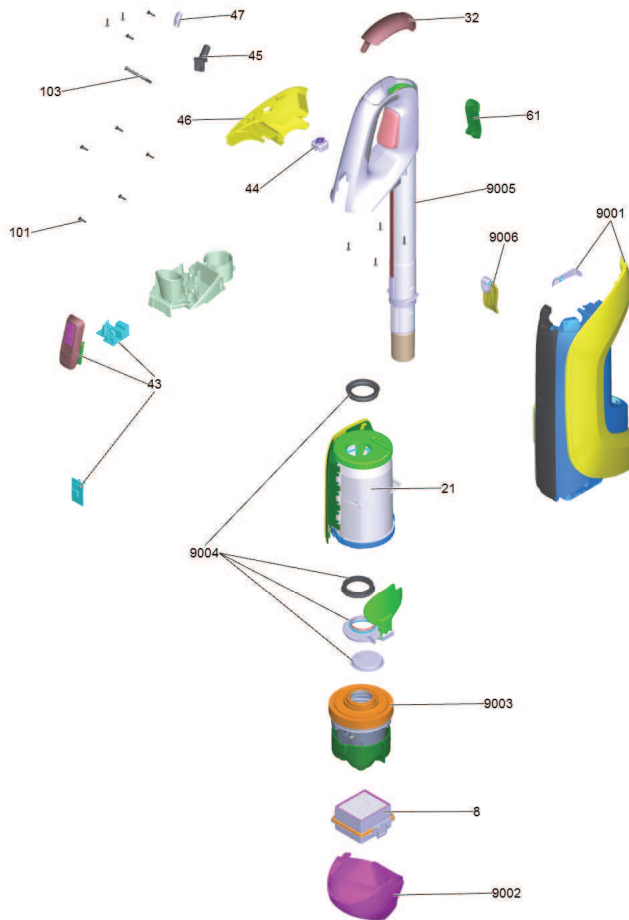
POS	Article no.	Description	Quantity	Unit
210		Short spare parts list	1.000	ST
0	5.974-370.0	Spare parts list VC 5 *EU-I	1.000	ST



Spare parts list VC 5 *EU-I (5.974-370.0)

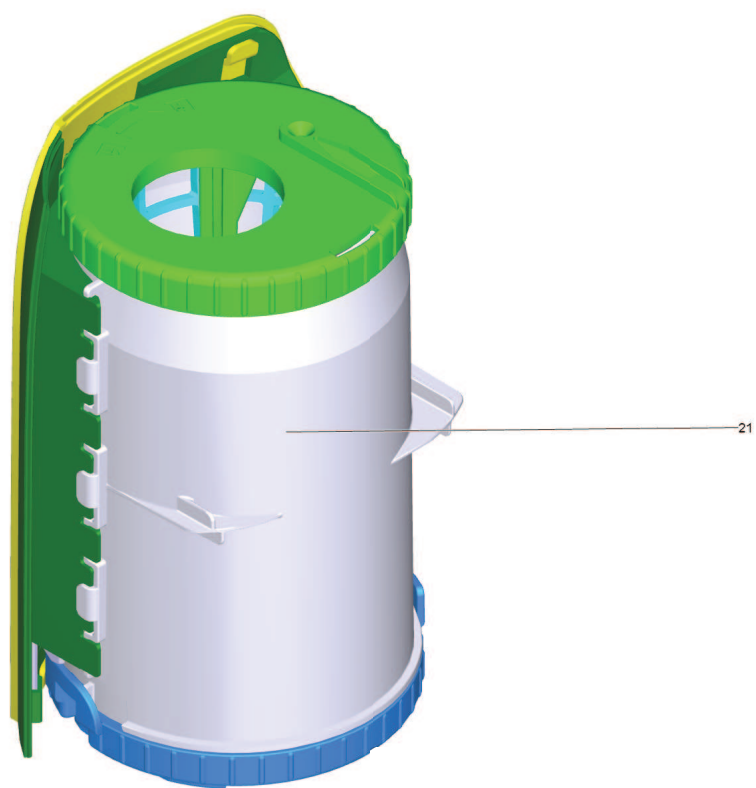
POS	Article no.	Description	Quantity	Unit
1		Basic unit yellow 220 - 240 V	1.000	ST
2	6.650-583.0	Cable plug black *EU 9,2m 2x0,75 H05VVH2	1.000	ST
30	4.195-098.3	Floor tool completely black	1.000	ST
31	6.906-622.0	Upholstery nozzle	1.000	ST

1 Basic unit yellow 220 - 240 V



1 Basic unit yellow 220 - 240 V

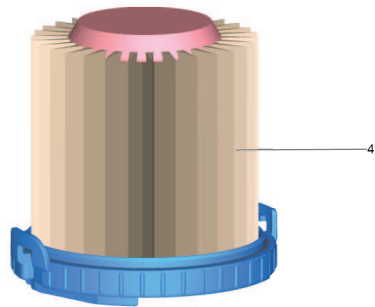
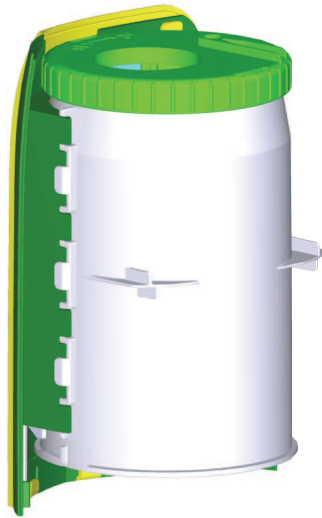
POS	Article no.	Description	Quantity	Unit
61	5.195-462.0	Catch for cable rear yellow	1.000	ST
9006	4.195-259.3	Catch for cable set	1.000	ST
32	5.195-460.3	Cirt clack hand grip black	1.000	ST
47	5.195-482.0	Clip cable	1.000	ST
9002	4.195-257.3	Cover completely black	1.000	ST
46	5.195-438.3	Covering cap hand grip yellow	1.000	ST
43	4.195-248.3	Electrical box completely	1.000	ST
8	2.863-240.0	Exhaust air filter VC 5	1.000	ST
21	4.195-099.3	Filter box completely yellow	1.000	ST
9001	4.070-161.0	Housing set	1.000	ST
45	5.195-478.0	Rubber grommet cable	1.000	ST
101	9.086-227.0	Screw 3x18 Zn Ni	13.000	ST
103	6.195-044.0	Screw with shaft 4x50	1.000	ST
9004	4.070-191.0	Seal set	1.000	ST
44	5.195-476.0	Strain relief cable	1.000	ST
9005	4.195-273.0	Telescopic tube hand grip complete	1.000	ST
9003	4.070-172.0	Turbine completely packaged	1.000	ST



21 Filter box completely yellow (4.195-099.3)

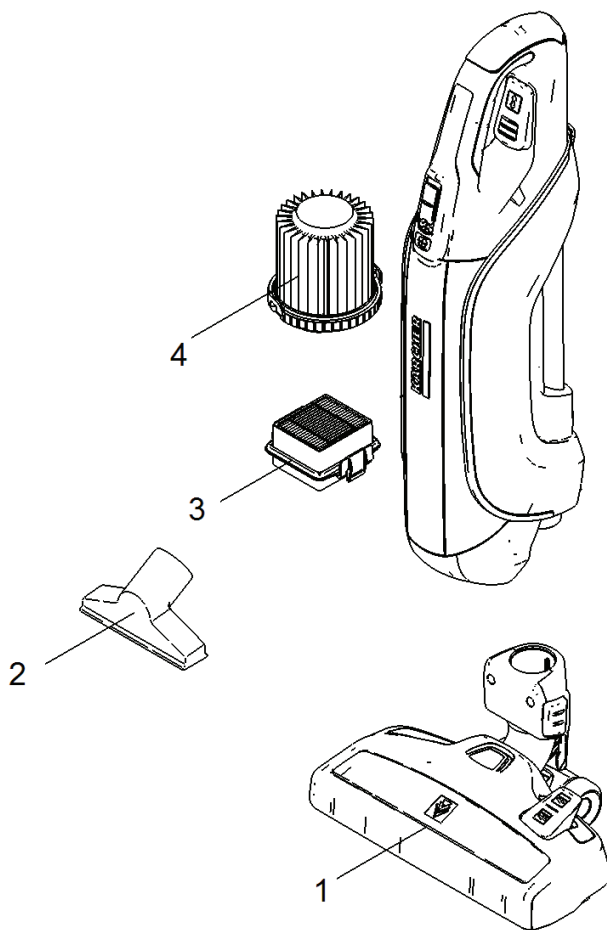
POS	Description	Quantity	Unit
21	Filter box complete yellow	1.000	ST

21 Filter box complete yellow



21 Filter box complete yellow

POS	Article no.	Description	Quantity	Unit
4	2.863-239.0	Cartridge filter VC 5	1.000	ST



210 Short spare parts list

POS	Article no.	Description	Quantity	Unit
4	2.863-239.0	Cartridge filter VC 5	1.000	ST
3	2.863-240.0	Exhaust air filter VC 5	1.000	ST
1	4.195-098.3	Floor tool completely black	1.000	ST
2	6.906-622.0	Upholstery nozzle	1.000	ST