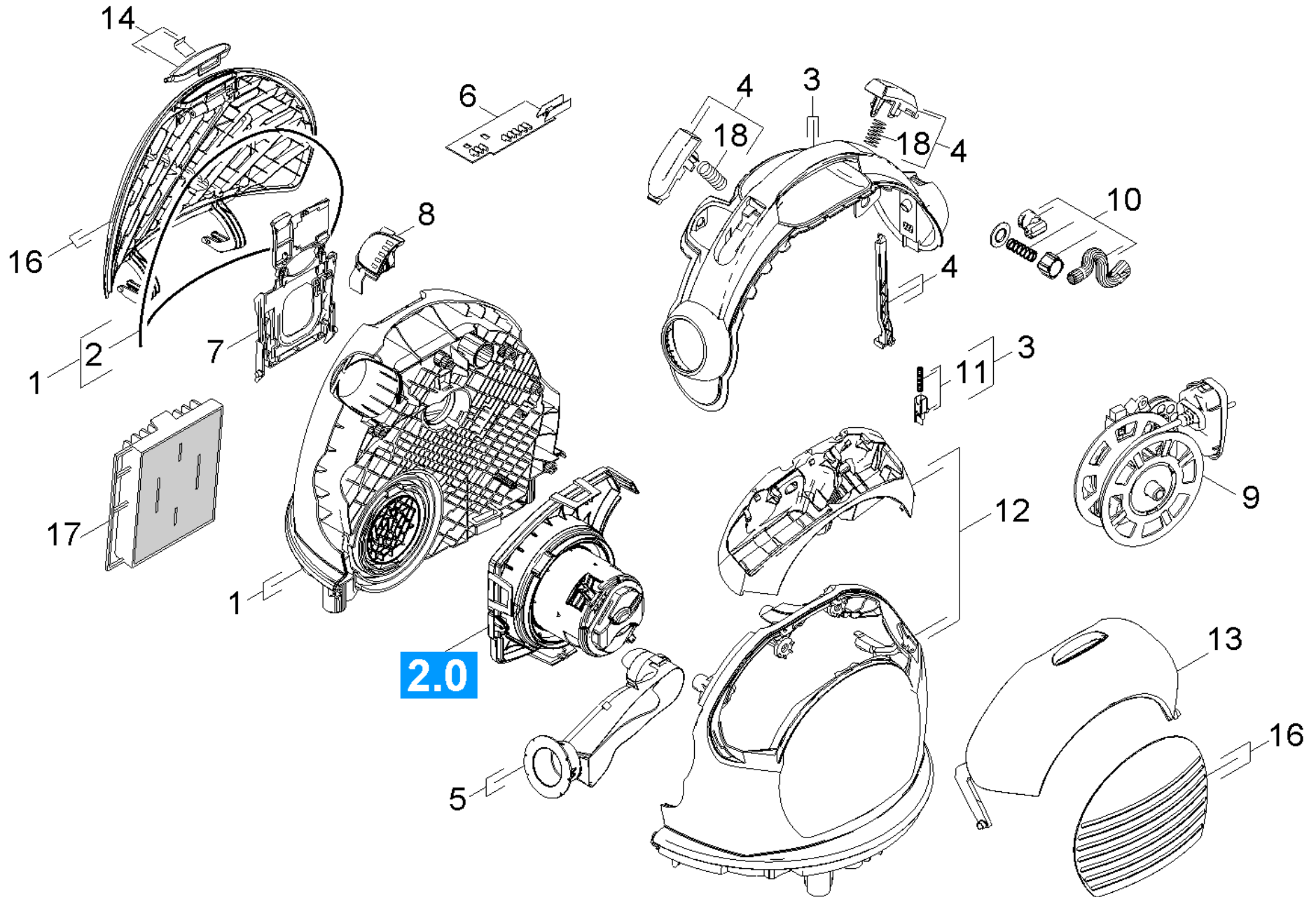


11 Top part

Home and Garden \ Vacuum cleaner \ Dry vacuum cleaner \ VC 6300 *EU \ Spare parts list VC 6300 \ Individual parts \ Top part



11 Top part

Home and Garden \ Vacuum cleaner \ Dry vacuum cleaner \ VC 6300 *EU \ Spare parts list VC 6300 \ Individual parts \ Top part

POS	Article no.	Description	Quantity	Unit	Remark	Foot note text
1	4.195-001.0	Housing dust space only for replacement	1	PC		
	Item text1: //1.195-541.0/ -542.0 / -543.0 / -545.0					
	Item text2: / -546.0 / -548.0					
5	4.195-002.0	Tube complete	1	PC		
3	4.195-006.0	Carrier handle only for replacement	1	PC		
4	4.195-007.0	Pushbutton only for replacement	1	PC		
11	4.195-012.0	Snap-fit only for replacement	1	PC		
12	4.195-013.0	Housing accessories only for replacement	1	PC		
	Item text1: //1.195-541.0 / -542.0 / -543.0 / -545.0					
	Item text2: / -546.0 / -548.0					
16	4.195-015.0	Cover dust space only for replacement	1	PC		
	Item text1: //1.195-541.0 / -542.0 / -543.0 / -545.0					
	Item text2: / -546.0 / -548.0					
1	4.195-031.0	Housing dust space only for replacement	1	PC		
	Item text1: //1.195-544.0					
12	4.195-032.0	Housing accessories only for replacement	1	PC		
	Item text1: //1.195-544.0 / -547.0					
16	4.195-033.0	Cover dust space only for replacement	1	PC		
	Item text1: //1.195-544.0 / -547.0					
7	4.195-109.0	Retainer filter bag complete	1	PC		
10	4.195-146.0	Valve cooling air nur fuer Ersatz	1	PC		
14	4.195-167.0	Pushbutton complete replacement VC 6	1	PC		
8	5.195-042.0	Screen LED	1	PC		
13	5.195-091.0	Cover accessory shed	1	PC		
	Item text1: /1.195-544.0 / -547.0					
13	5.195-091.0	Cover accessory shed	1	PC		
	Item text1: //1.195-541.0 / -542.0 / -543.0 / -545.0					
	Item text2: / -546.0 / -548.0					
2	6.273-104.0	Seal cellular rubber /sealing soft tube	1	m		TO ORDER AS CUT GOODS
18	6.330-170.0	Pressure spring	2	PC		

11 Top part

Home and Garden \ Vacuum cleaner \ Dry vacuum cleaner \ VC 6300 *EU \ Spare parts list VC 6300 \ Individual parts \ Top part



POS	Article no.	Description	Quantity	Unit	Remark	Foot note text
17	6.414-799.0	Filter motor complete	1	PC		
9	6.649-110.0	Cable automatic complete	1	PC	/*EU	
9	6.649-276.0	Cable automatic GB	1	PC	/*GB	
9	6.649-911.0	Cable automatic complete *CN	1	PC	*CN	
9	6.650-087.0	Cable automatic *CH	1	PC	/*CH	
6	6.682-737.0	Control system IR	1	PC		
6	7.777-999.0	Stockpiling discontinued	1	PC	*JP	