

## Table of contents

---

9 Foam lance (6.394-668.0)	2
Spare parts list Schaumlanze (5.957-961.0)	3
10 Foam lance	4

9 Foam lance (6.394-668.0)

---

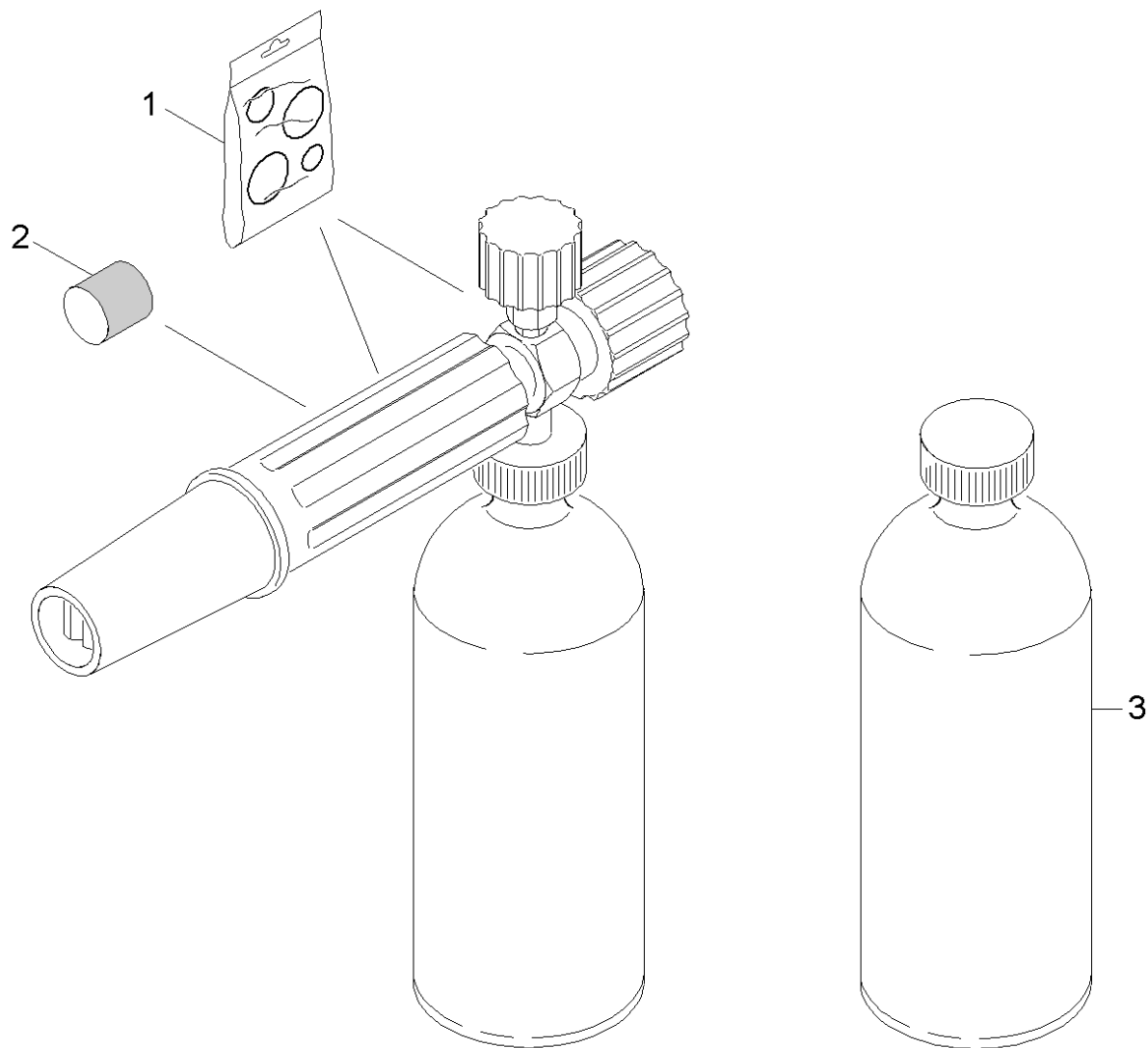
POS	Article no.	Description	Quantity	Unit
0	5.957-961.0	Spare parts list Schaumlanze	1.000	ST

Spare parts list Schaumlanze (5.957-961.0)

---

<b>POS</b>	<b>Description</b>	<b>Quantity</b>	<b>Unit</b>
10	Foam lance	1.000	ST

---



## 10 Foam lance

---

<b>POS</b>	<b>Article no.</b>	<b>Description</b>	<b>Quantity</b>	<b>Unit</b>
2	6.414-913.0	Filter foam lance only for replacement	1.000	ST
1	2.642-034.0	Spare part set foam lance	1.000	ST
3	6.414-954.0	Tank 1L gelb	1.000	ST