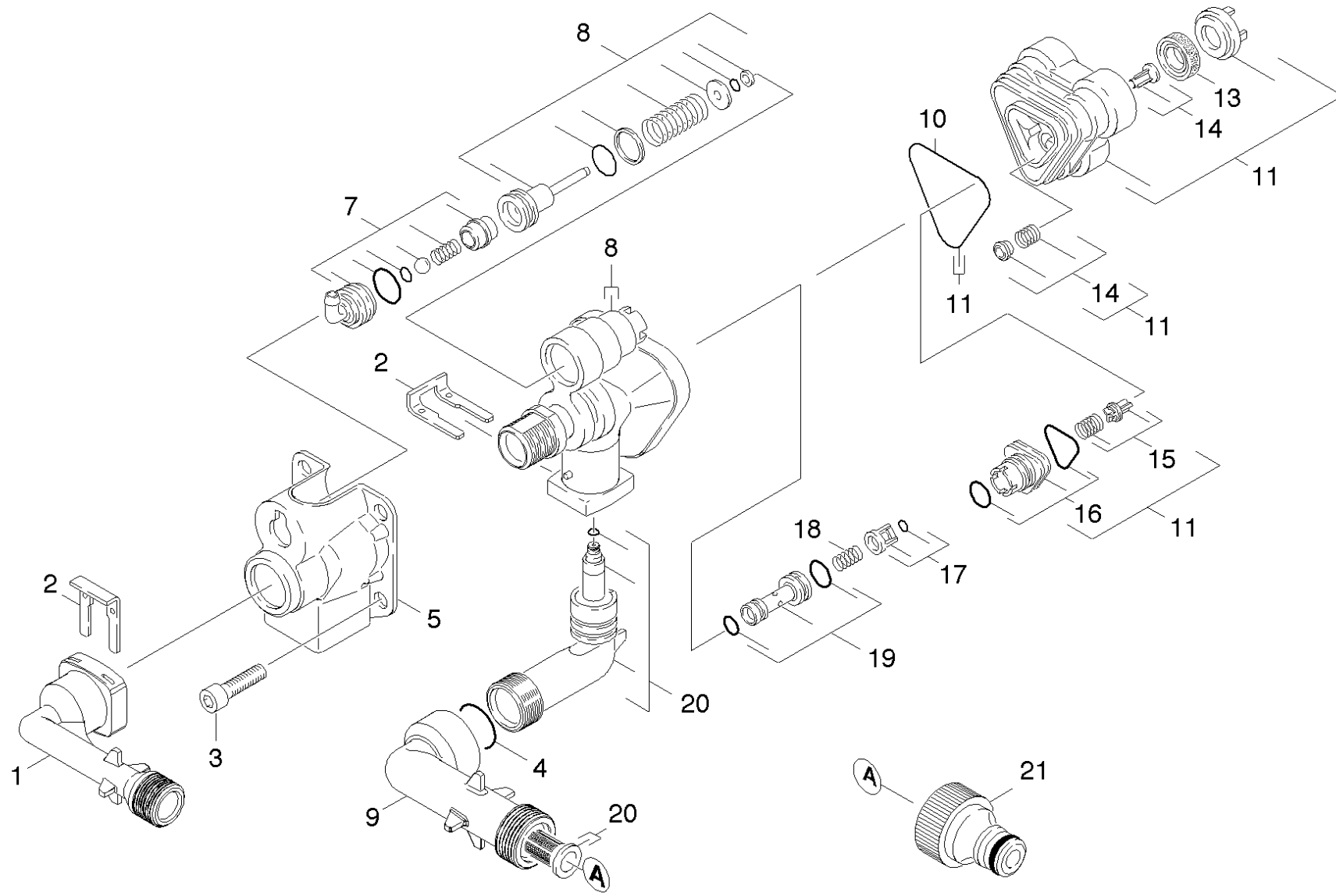


21 Housing

Home and Garden \ High pressure cleaner cold water \ Electric motor \ K 3 \ K 3 *GB \ Spare parts list K4.68MD *EU \ Pump set \ Housing



21 Housing

Home and Garden \ High pressure cleaner cold water \ Electric motor \ K 3 \ K 3 *GB \ Spare parts list K4.68MD *EU \ Pump set \ Housing

KÄRCHER

POS	Article no.	Description	Quantity	Unit	Foot note text
1	9.037-319.0	Connection delivery side	1	PC	
2	9.039-148.0	Metal fork	2	PC	
3	9.086-200.0	Screw M 8x55 Class 8.8	4	PC	
4	9.081-421.0	O-Ring seal 18x3	1	PC	
5	9.039-308.0	Cover K130	1	PC	
7	9.001-741.0	Aspiration cleaning agents for replaceme	1	PC	
8	9.001-361.0	Spare parts set control head	1	PC	
9	9.037-320.0	Connection suction side	1	PC	
10	9.081-422.0	Form seal	1	PC	
11	9.001-215.0	Spare part set cylinder head	1	PC	
13	6.363-058.0	Grooved ring 12x18x5 (90Shore)	3	PC	
14	9.001-110.0	Moulded part complete	1	PC	SET CONSISTS OF 3X MACHINED PART COMPL.
15	9.001-149.0	Spare parts set valve	1	PC	SET CONSITSTS OF 3X VALVE
16	9.001-106.0	Joining piece	1	PC	
17	9.001-107.0	Cage complete	1	PC	
18	9.047-026.0	Spring	1	PC	
19	9.001-108.0	Injector complete	1	PC	
20	9.001-375.0	Spare parts set suction connection	1	PC	
21	6.465-031.0	Connection 3/4	1	PC	