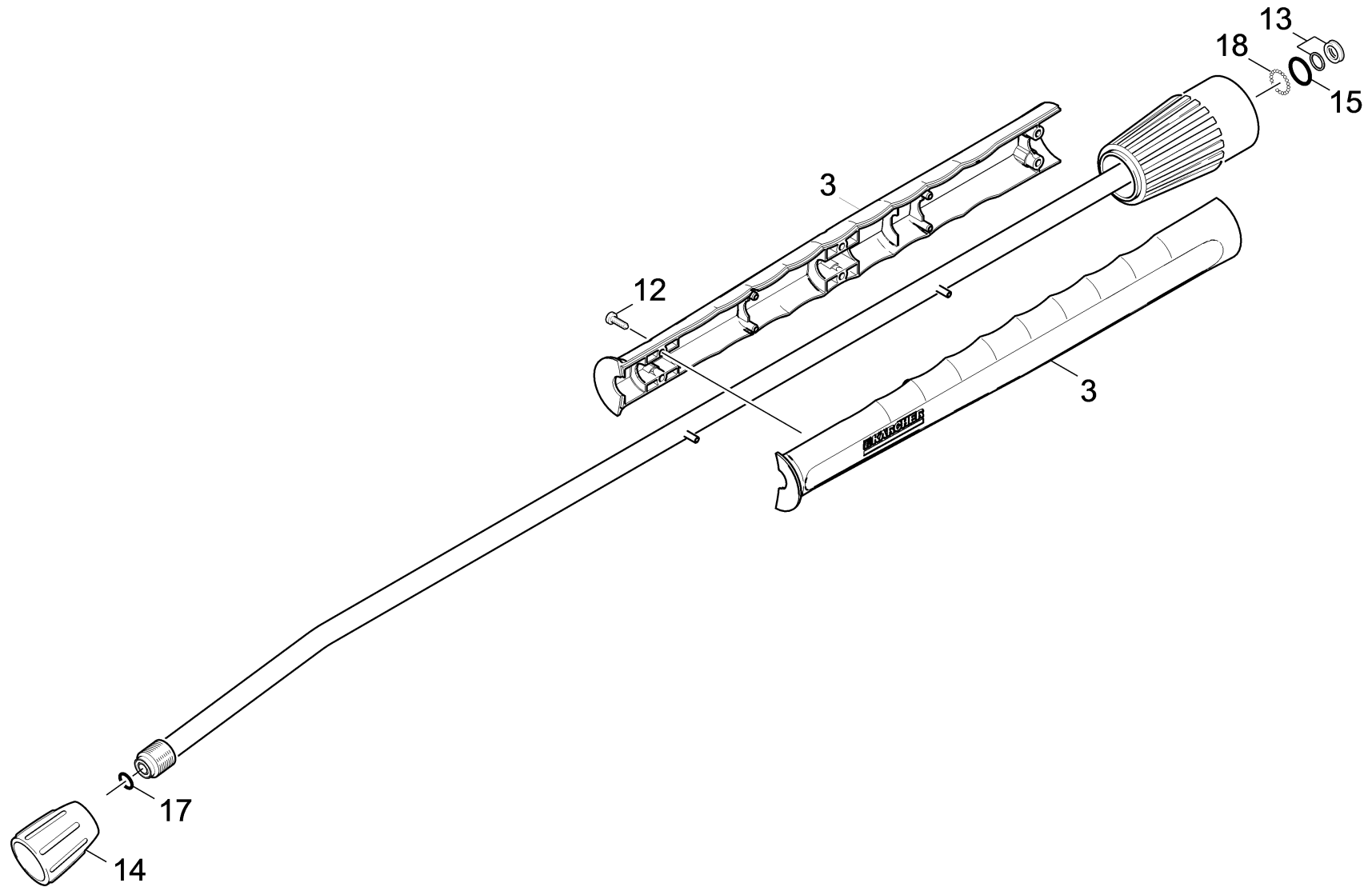


1 Jet pipe packaged only for replacement (4.760-660.0)

Professional \ High pressure cleaner hotwater \ Electric motor \ HDS 10/19-4 M *JP \ Spare parts list HDS 10/19-4 M *JP \ Accessories \ Jet pipe \ Jet pipe packaged only for replacement



1 Jet pipe packaged only for replacement (4.760-660.0)

Professional \ High pressure cleaner hotwater \ Electric motor \ HDS 10/19-4 M *JP \ Spare parts list HDS 10/19-4 M *JP \ Accessories \ Jet pipe \ Jet pipe packaged only for replacement

KÄRCHER

POS	Article no.	Description	Quantity	Unit
13	4.363-692.0	Grooved ring kpl. -nur fuer Ersatz-	1.000	ST
3	5.321-855.0	Handhold few jet pipe with welding bolt	1.000	ST
15	6.362-524.0	O-Ring seal 17,0 X 1,5	1.000	ST
12	7.303-129.0	Screw 4x16 -10.9-R2R (K-In6Rd)	6.000	ST
14	5.401-210.0	Screw connector part	1.000	ST
17	2.880-990.0	Spare part set O-Ring 5x -Kaercher	1.000	ST
18	7.401-915.0	Sphere 2,5 G20 -1.4034 DIN 5401	1.000	ST